



US00D937678S

(12) **United States Design Patent** (10) **Patent No.:** **US D937,678 S**
Riedel et al. (45) **Date of Patent:** **** Dec. 7, 2021**

(54) **CONTAINER COVER**
(71) Applicant: **TARGET BRANDS, INC.**,
Minneapolis, MN (US)
(72) Inventors: **Richard P. Riedel**, Blaine, MN (US);
Terrence J. Hornsby, Jr., Minneapolis,
MN (US); **Michael M. Habig**,
Cincinnati, OH (US)

D283,062 S 3/1986 Lordi
D295,961 S * 5/1988 Holly D9/424
D297,202 S 8/1988 Zumwalt
D319,985 S 9/1991 Crawford et al.
D321,304 S 11/1991 Underwood et al.
(Continued)

(73) Assignee: **TARGET BRANDS, INC.**,
Minneapolis, MN (US)

FOREIGN PATENT DOCUMENTS

EP 2315705 B1 6/2013
WO 2015106087 A1 7/2015

(**) Term: **15 Years**

Primary Examiner — Wendy L Arminio
(74) *Attorney, Agent, or Firm* — JoAnn M. Seaton;
Griffiths & Seaton PLLC

(21) Appl. No.: **29/637,483**

(57) **CLAIM**

The ornamental design for a container cover, as shown and described.

(22) Filed: **Feb. 19, 2018**

(51) **LOC (13) Cl.** **09-07**

DESCRIPTION

(52) **U.S. Cl.**

USPC **D9/449**; D7/391

(58) **Field of Classification Search**

USPC D9/434, 435, 439, 440, 442–457, 499,
D9/503–505, 682, 685, 686; D7/387,
D7/391, 392, 392.1, 396.1, 396.2, 507,
D7/509–511, 538, 900; D3/202, 203.2,
D3/294, 318; D28/91, 91.1
CPC .. A61J 1/00; A61J 1/1412; B65D 1/00; B65D
1/02; B65D 1/10; B65D 1/46; B65D
5/46; B65D 41/00; B65D 41/38; B65D
41/56; B65D 41/62; B65D 47/00; B65D
47/06; B65D 47/08; B65D 2251/00;
B65D 2543/00046; B65D 2543/00092;
B65D 2543/00296

FIG. 1 is a top, perspective view of a container cover showing a first embodiment of our new design; FIG. 2 is a front view thereof; FIG. 3 is a rear view thereof; FIG. 4 is a right side view thereof; FIG. 5 is a left side view thereof; FIG. 6 is a top view thereof; and FIG. 7 is a bottom view thereof. FIG. 8 is a top, perspective view of a container cover showing a second embodiment of our new design; FIG. 9 is a front view thereof; FIG. 10 is a rear view thereof; FIG. 11 is a right side view thereof; FIG. 12 is a left side view thereof; FIG. 13 is a top view thereof; and, FIG. 14 is a bottom view thereof.

See application file for complete search history.

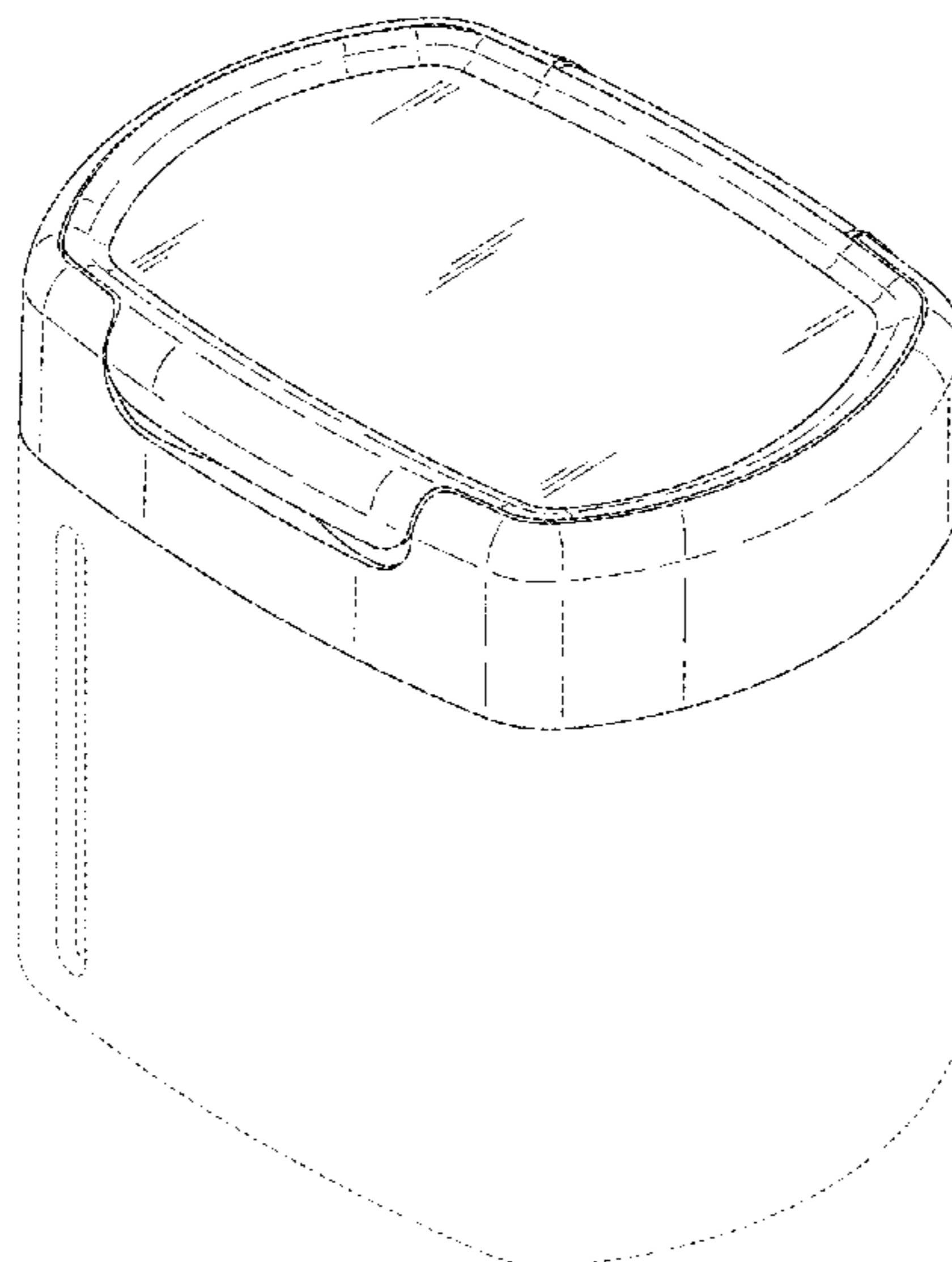
In the drawings, the broken lines illustrating a container depict environment and form no part of the claimed design. All other broken lines depict portions of the container cover that form no part of the claimed design.

(56) **References Cited**

U.S. PATENT DOCUMENTS

1,768,771 A 7/1930 Tourette
3,001,404 A 9/1961 McDonnell, Jr. et al.
D260,722 S 9/1981 Bateman

1 Claim, 14 Drawing Sheets



(56)

References Cited

U.S. PATENT DOCUMENTS

D321,305 S 11/1991 Underwood et al.
 5,137,316 A 8/1992 Foos
 D330,997 S 11/1992 Spahni, Jr. et al.
 5,165,563 A * 11/1992 McKendry B65D 41/04
 206/366
 D338,599 S 8/1993 Zogg et al.
 5,347,865 A 9/1994 Mulry et al.
 D352,869 S 11/1994 Lathrop
 5,706,974 A 1/1998 Murdick et al.
 5,775,531 A 7/1998 Lowry
 D403,241 S * 12/1998 Nask D9/435
 5,918,922 A 7/1999 Lathrop et al.
 D421,901 S * 3/2000 Hill D9/423
 D444,027 S * 6/2001 Gilliam D7/392.1
 D458,508 S * 6/2002 Thonis D7/392.1
 D459,146 S * 6/2002 Klock D7/391
 D483,988 S * 12/2003 Kipperman D7/391
 6,761,279 B1 * 7/2004 Martin B65D 43/169
 220/254.3
 6,761,283 B1 * 7/2004 Gilliam B65D 1/10
 220/212
 D530,204 S * 10/2006 Zaidman D9/449
 D567,600 S 4/2008 Matsumura et al.
 D571,146 S * 6/2008 Sanfilippo D7/391
 D576,035 S * 9/2008 Perry D9/435
 7,603,740 B2 10/2009 Goldsberry
 D620,769 S 8/2010 Mangin et al.
 7,963,421 B2 * 6/2011 Zeiler B65D 43/169
 220/836
 7,967,167 B2 * 6/2011 Tilton B65D 51/20
 220/799
 D656,021 S * 3/2012 Dunn D9/435
 D662,818 S * 7/2012 Andres D9/449
 D665,259 S * 8/2012 Dunn D9/435
 D675,057 S * 1/2013 Harvey D7/391
 D676,739 S * 2/2013 McGrath, Jr. D9/414
 D682,045 S * 5/2013 Myoung D7/629
 8,590,732 B2 11/2013 Vandamme et al.
 D699,585 S * 2/2014 Carreiro D9/670
 8,651,311 B1 2/2014 Drummond et al.
 8,833,584 B2 9/2014 Groubert
 D729,062 S * 5/2015 Julius D9/435
 D734,149 S 7/2015 McGrath, Jr. et al.
 9,090,391 B2 7/2015 Horton et al.

D738,228 S 9/2015 Joshi
 D741,665 S * 10/2015 Bagley D7/630
 D758,805 S * 6/2016 Myoung D7/629
 9,365,332 B2 6/2016 Jentis et al.
 D763,629 S * 8/2016 Swartz D7/629
 D801,754 S * 11/2017 Neumann A45C 11/20
 D7/629
 D806,974 S * 1/2018 Lloyd D34/7
 D808,228 S * 1/2018 Weernink D7/629
 D821,192 S * 6/2018 Perry D9/420
 D822,483 S * 7/2018 Ahmed D9/443
 10,139,305 B2 * 11/2018 Salg A61L 2/10
 D835,984 S * 12/2018 Perry D9/420
 D837,590 S * 1/2019 Samartgis D7/392.1
 D837,591 S * 1/2019 Samartgis D7/392.1
 D838,184 S * 1/2019 Riedel D9/574
 D840,684 S * 2/2019 Luburic D9/420
 D896,569 S * 9/2020 Jacobs D7/391
 D897,841 S * 10/2020 Samartgis D9/443
 2006/0138136 A1 * 6/2006 Frey B65D 47/0847
 220/254.3
 2008/0156805 A1 * 7/2008 Perry B65D 25/2897
 220/361
 2008/0156858 A1 * 7/2008 Perry B65D 43/169
 229/104
 2010/0006578 A1 * 1/2010 Roth A45C 11/20
 220/592.01
 2010/0308044 A1 * 12/2010 Perry B65D 51/246
 220/200
 2010/0308052 A1 * 12/2010 Zeiler B65D 43/169
 220/315
 2010/0308065 A1 * 12/2010 Vandamme B65D 51/247
 220/697
 2011/0006066 A1 * 1/2011 Vandamme B65D 43/22
 220/315
 2014/0097183 A1 * 4/2014 McGrath B65D 43/169
 220/212
 2014/0151389 A1 6/2014 Melia
 2014/0190864 A1 * 7/2014 Moon B65D 81/34
 206/524.8
 2016/0244226 A1 8/2016 Dunn et al.
 2017/0101229 A1 * 4/2017 Perek B65D 21/0209
 2017/0107002 A1 * 4/2017 Crusius B65D 43/169
 2018/0022505 A1 * 1/2018 Herlin B65D 15/08
 206/216

* cited by examiner

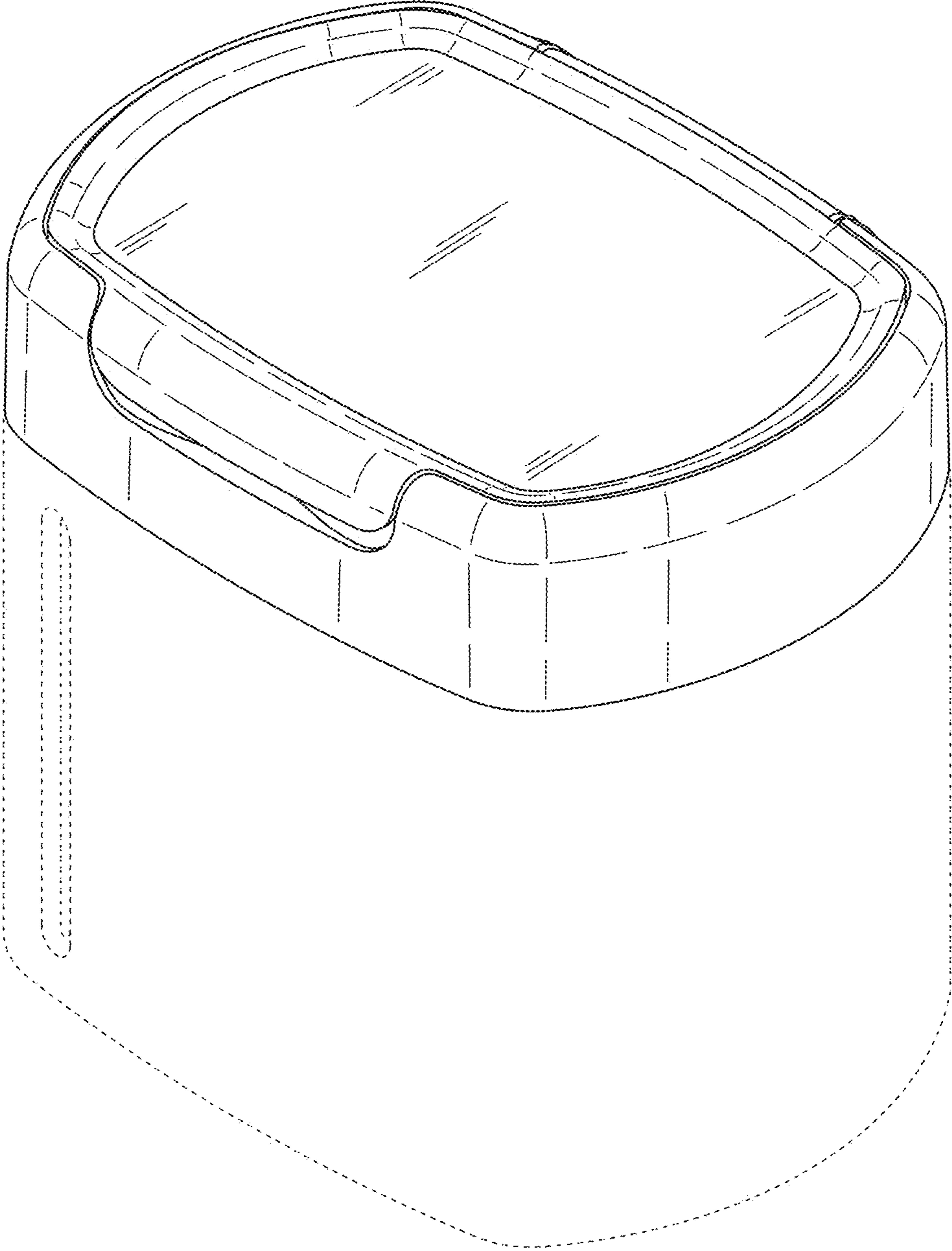


FIG. 1

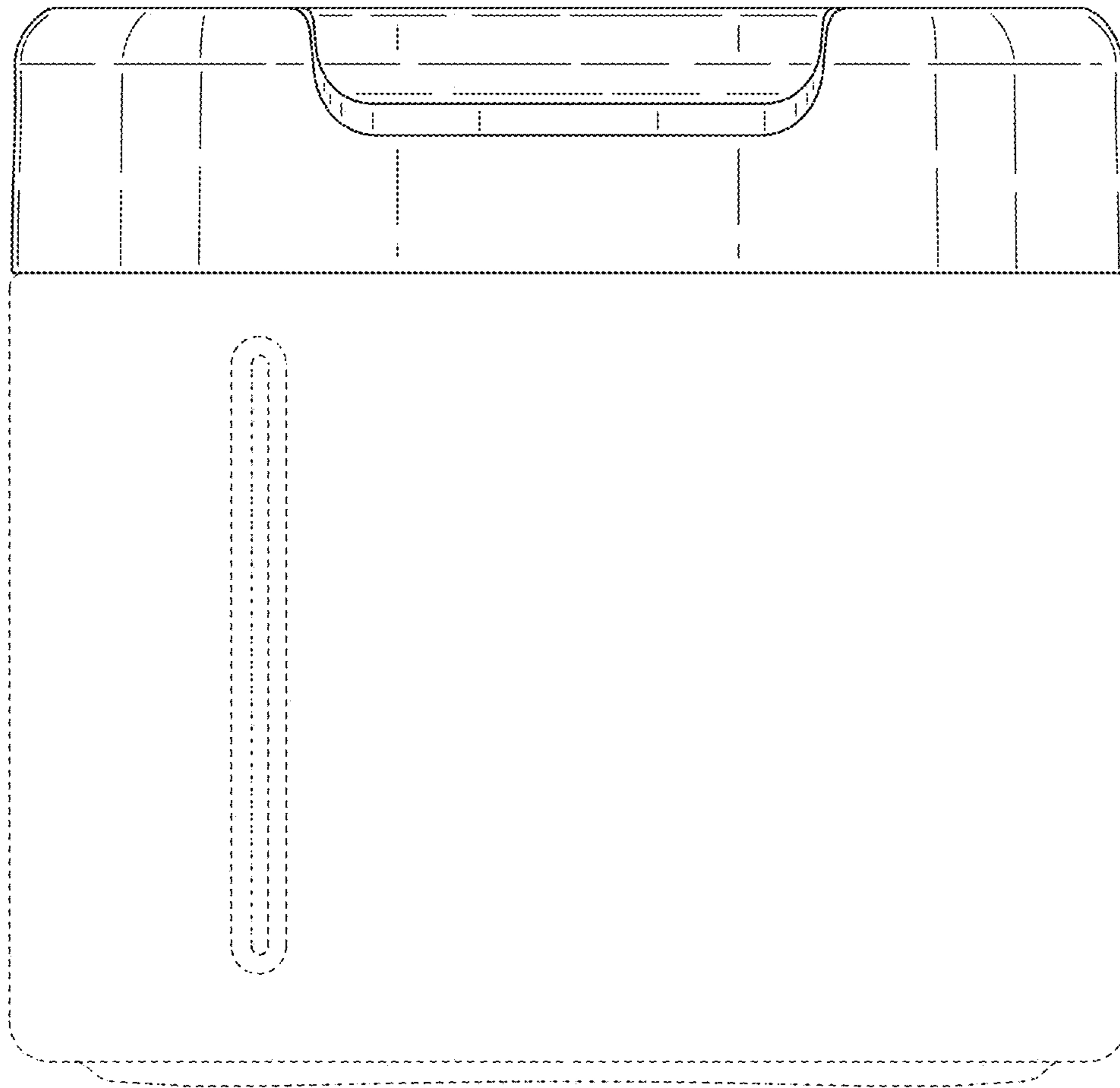


FIG. 2

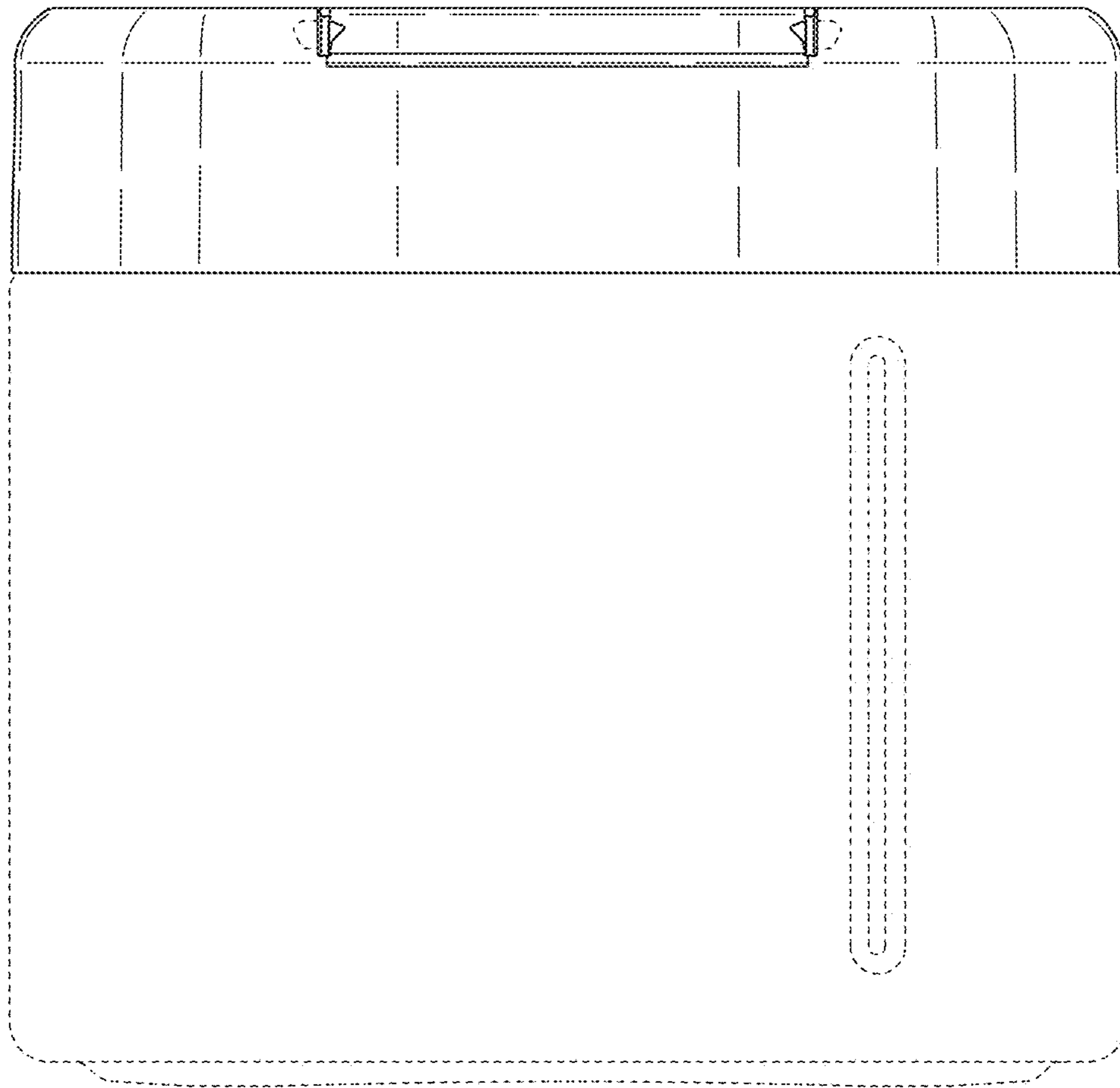


FIG. 3

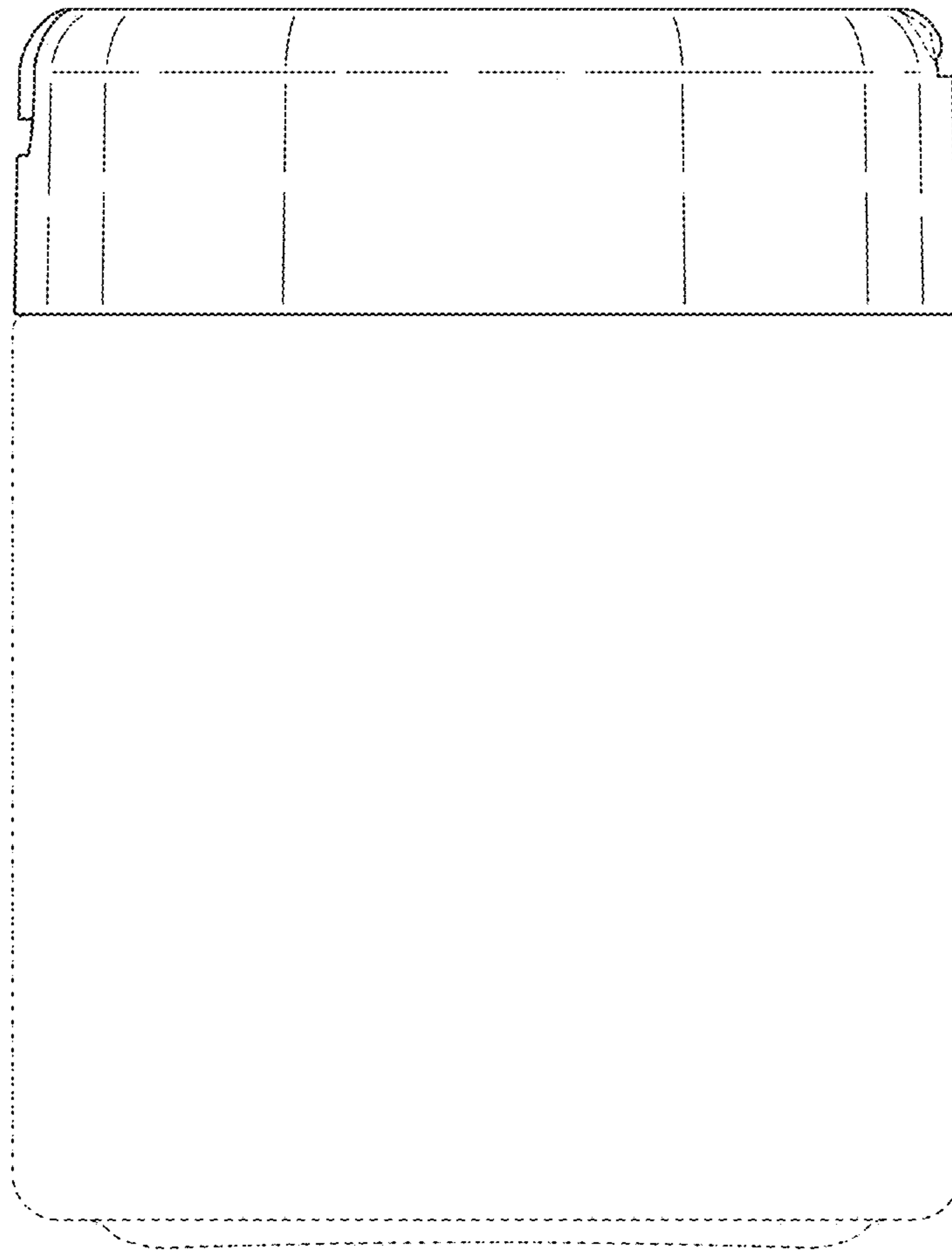


FIG. 4

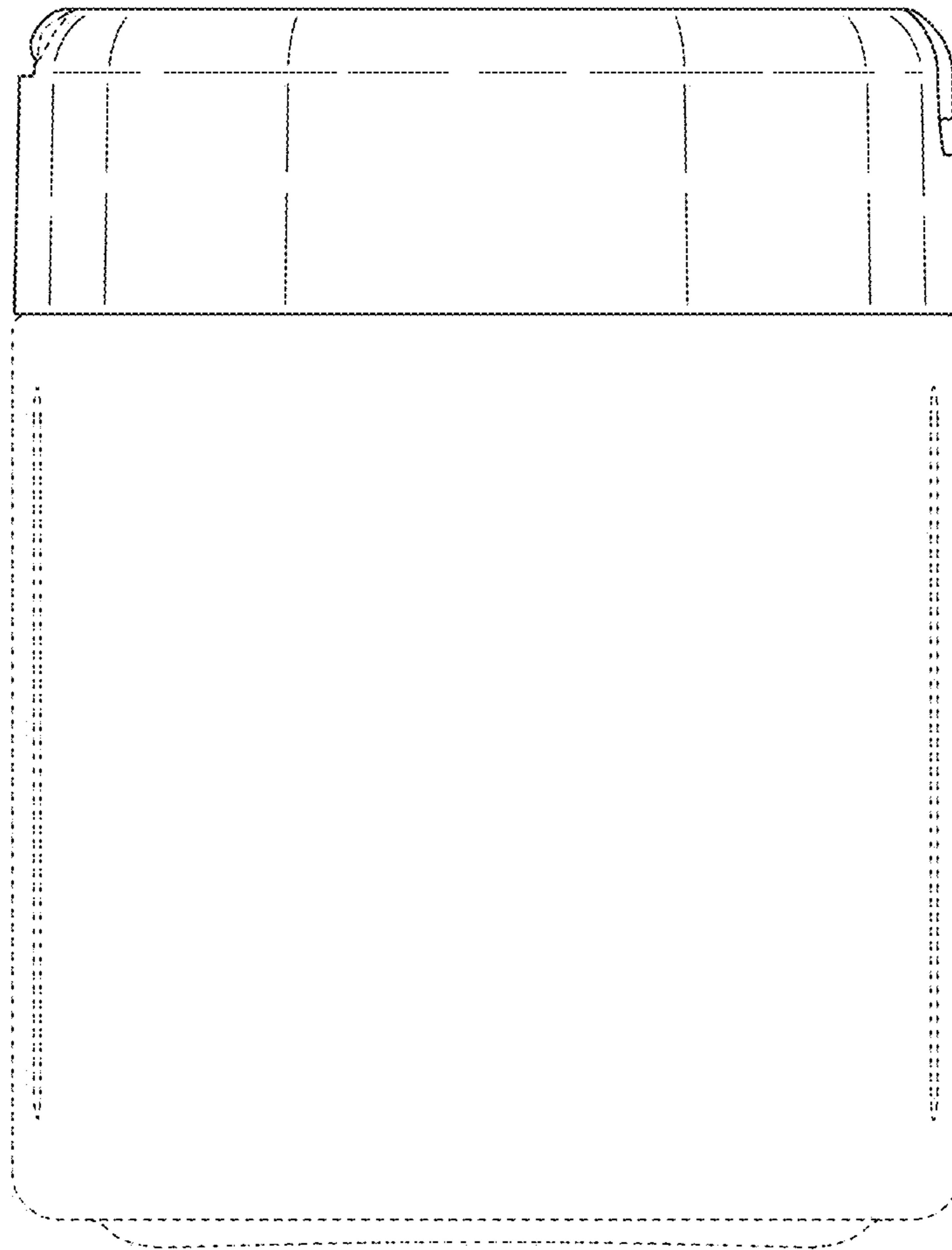


FIG. 5

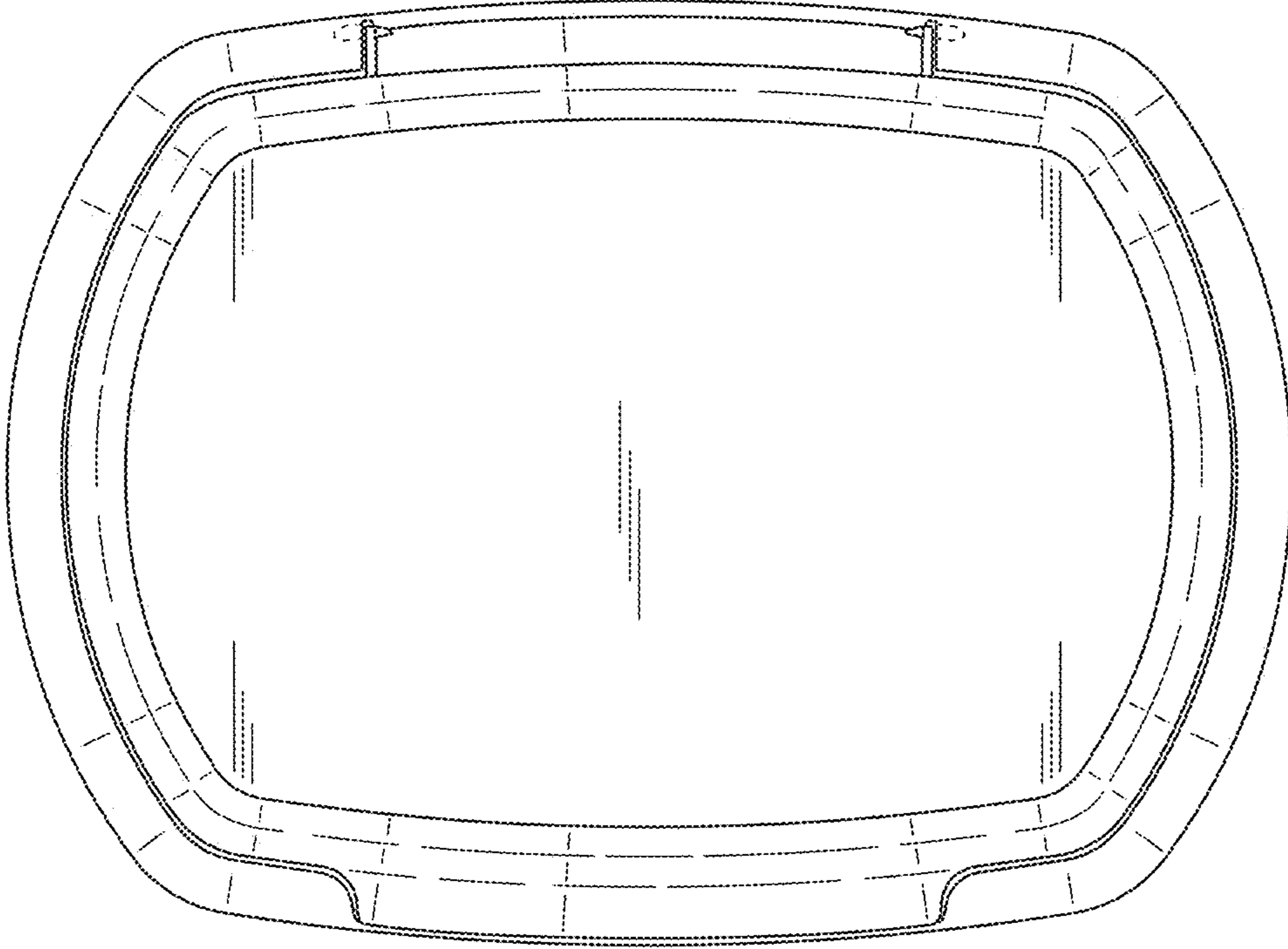


FIG. 6

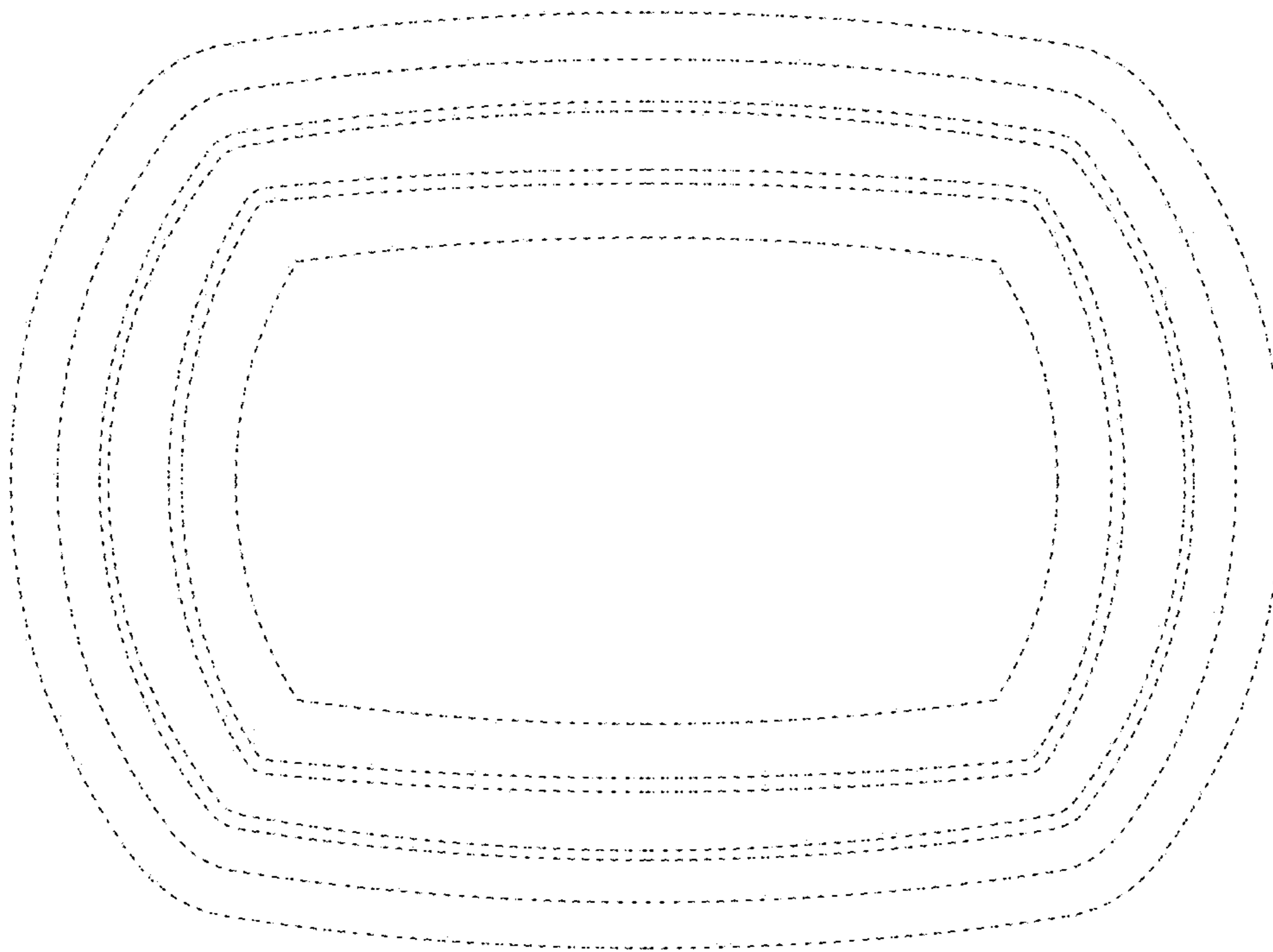


FIG. 7

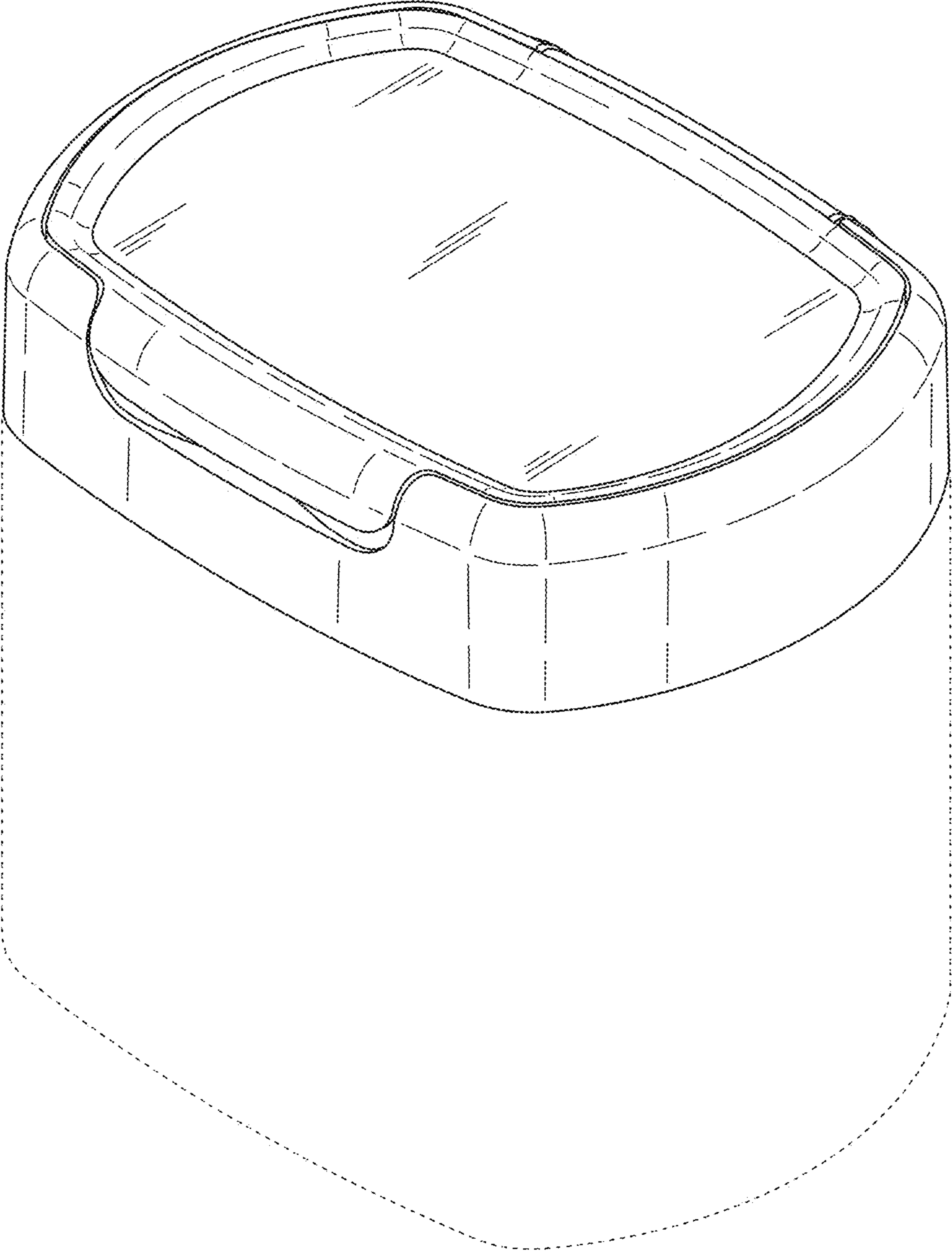


FIG. 8

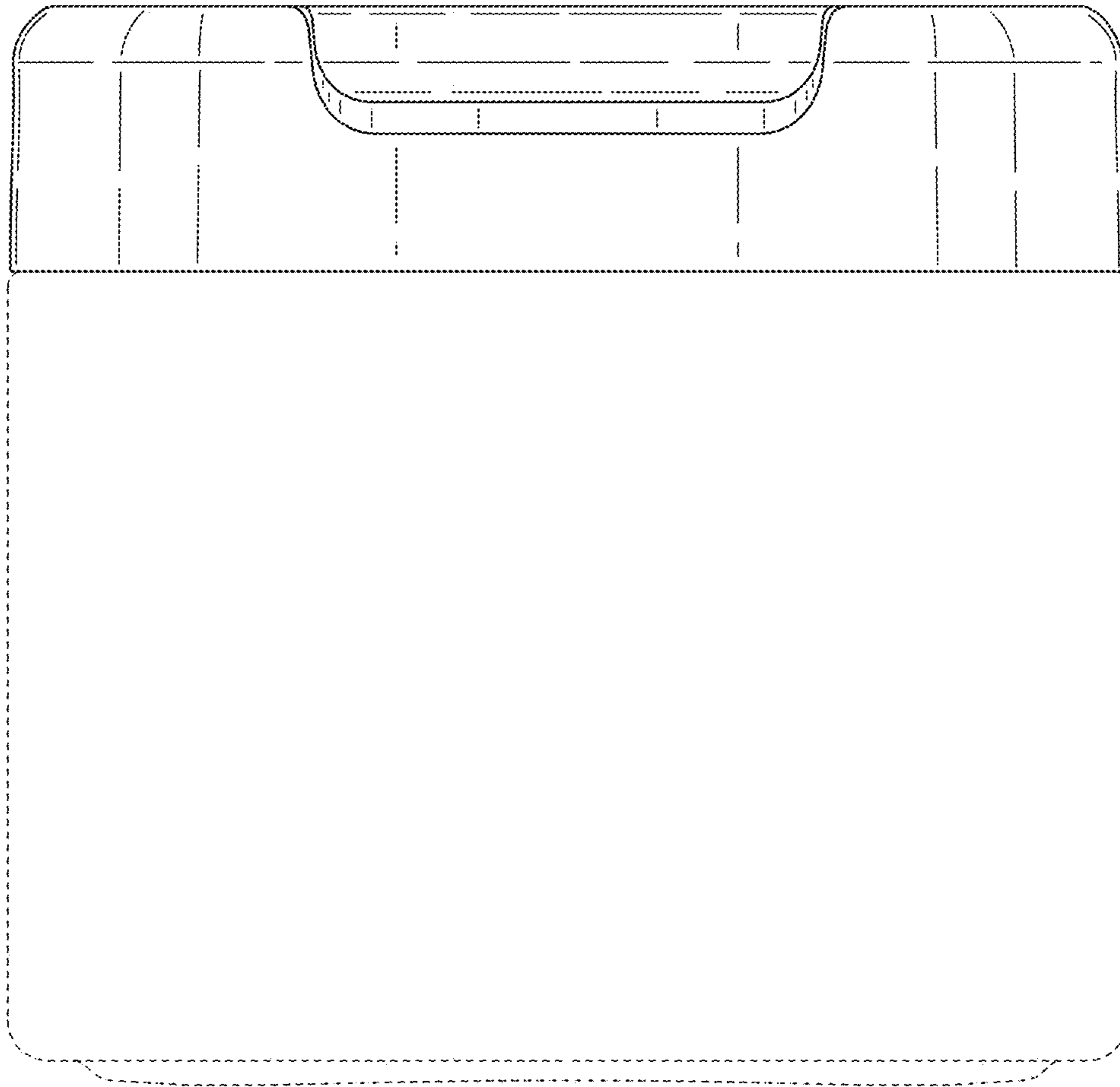


FIG. 9

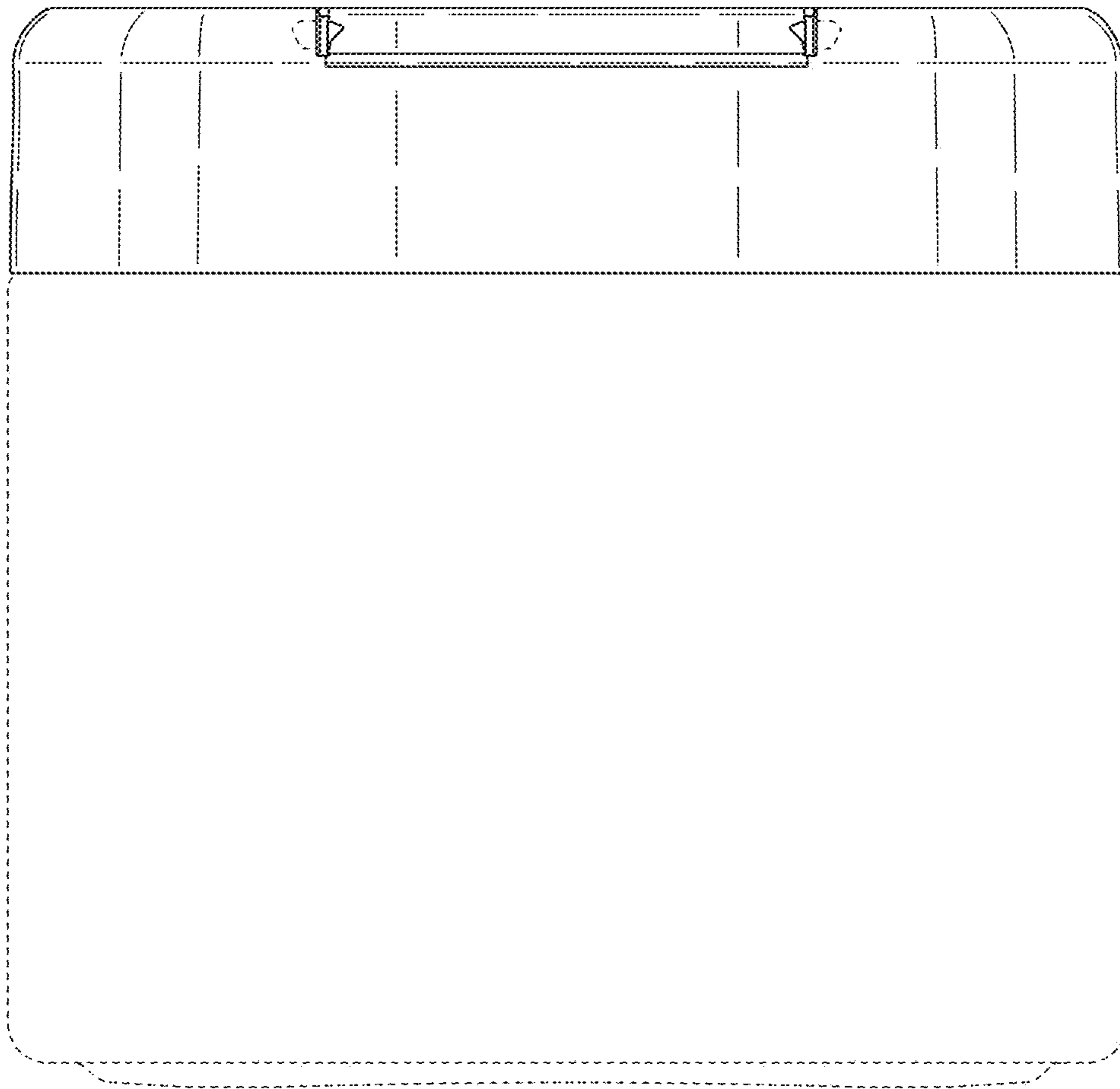


FIG. 10

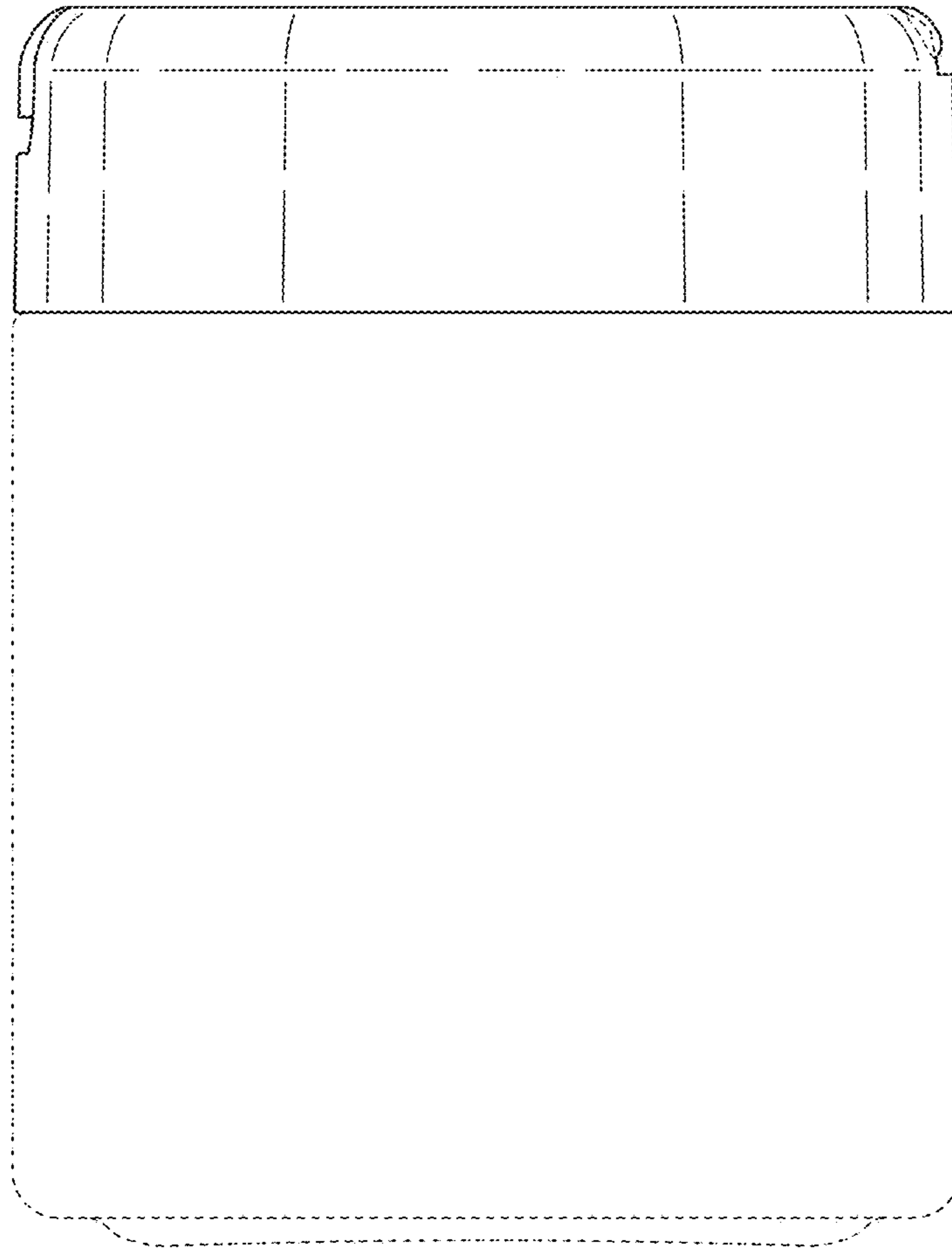


FIG. 11

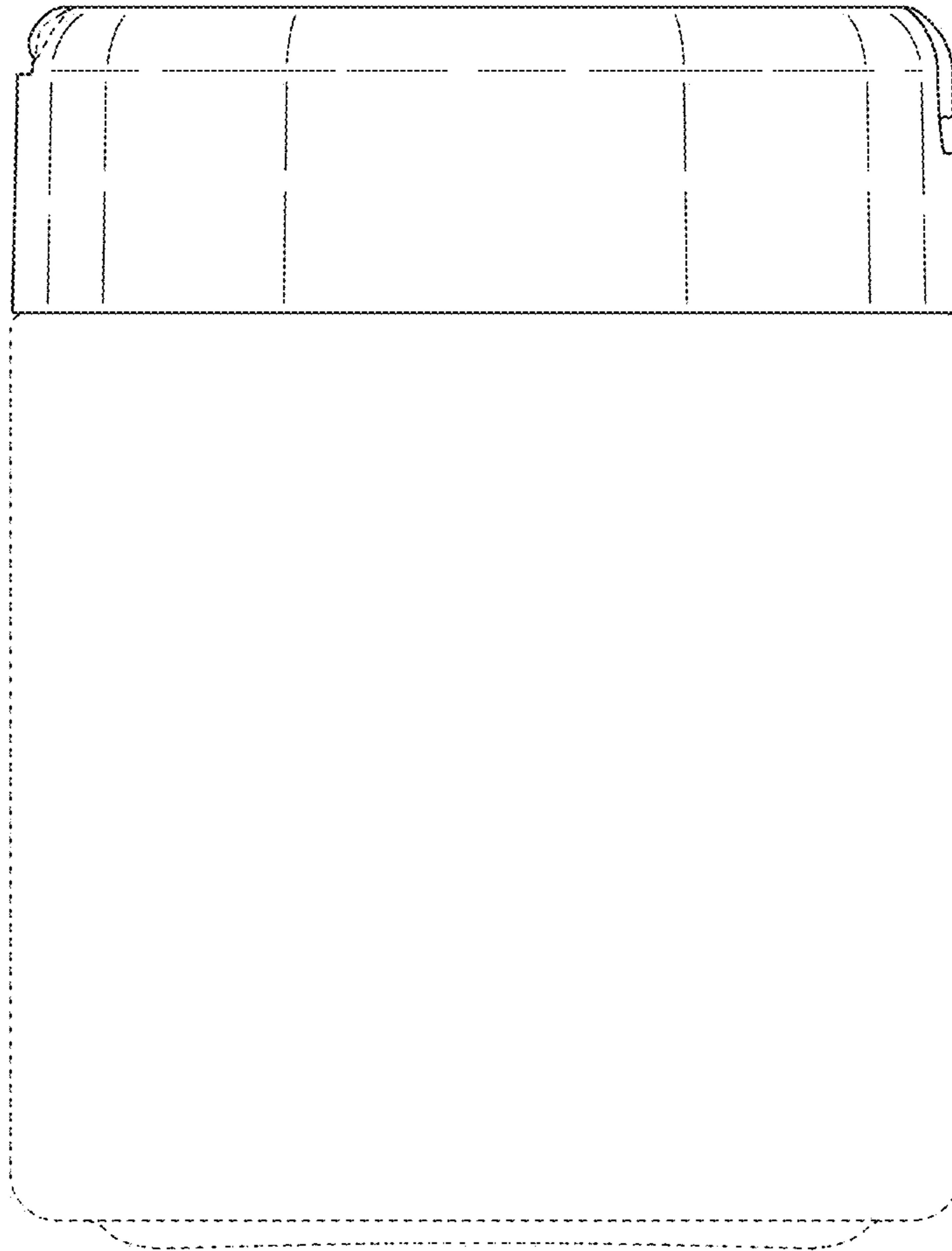


FIG. 12

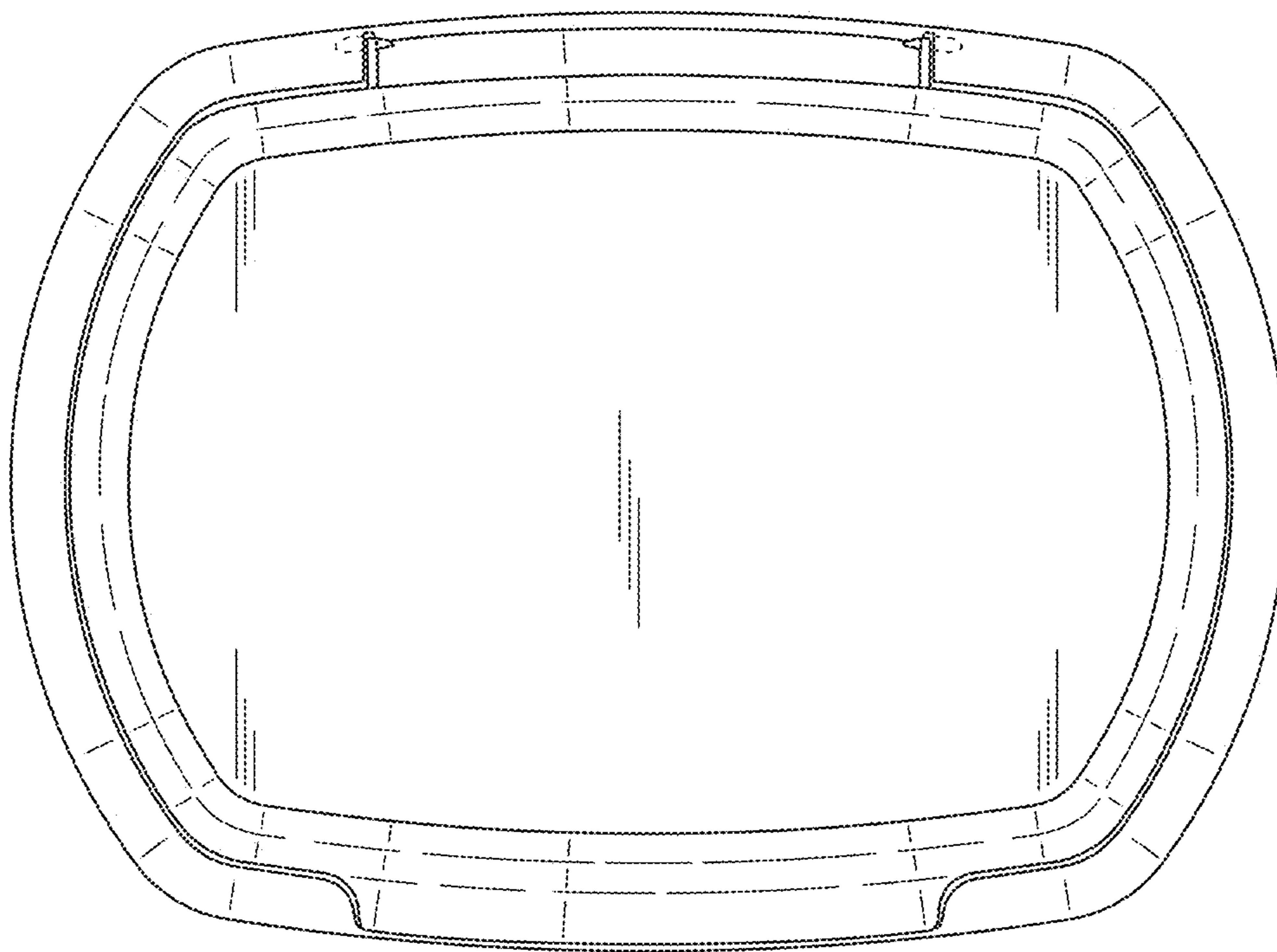


FIG. 13

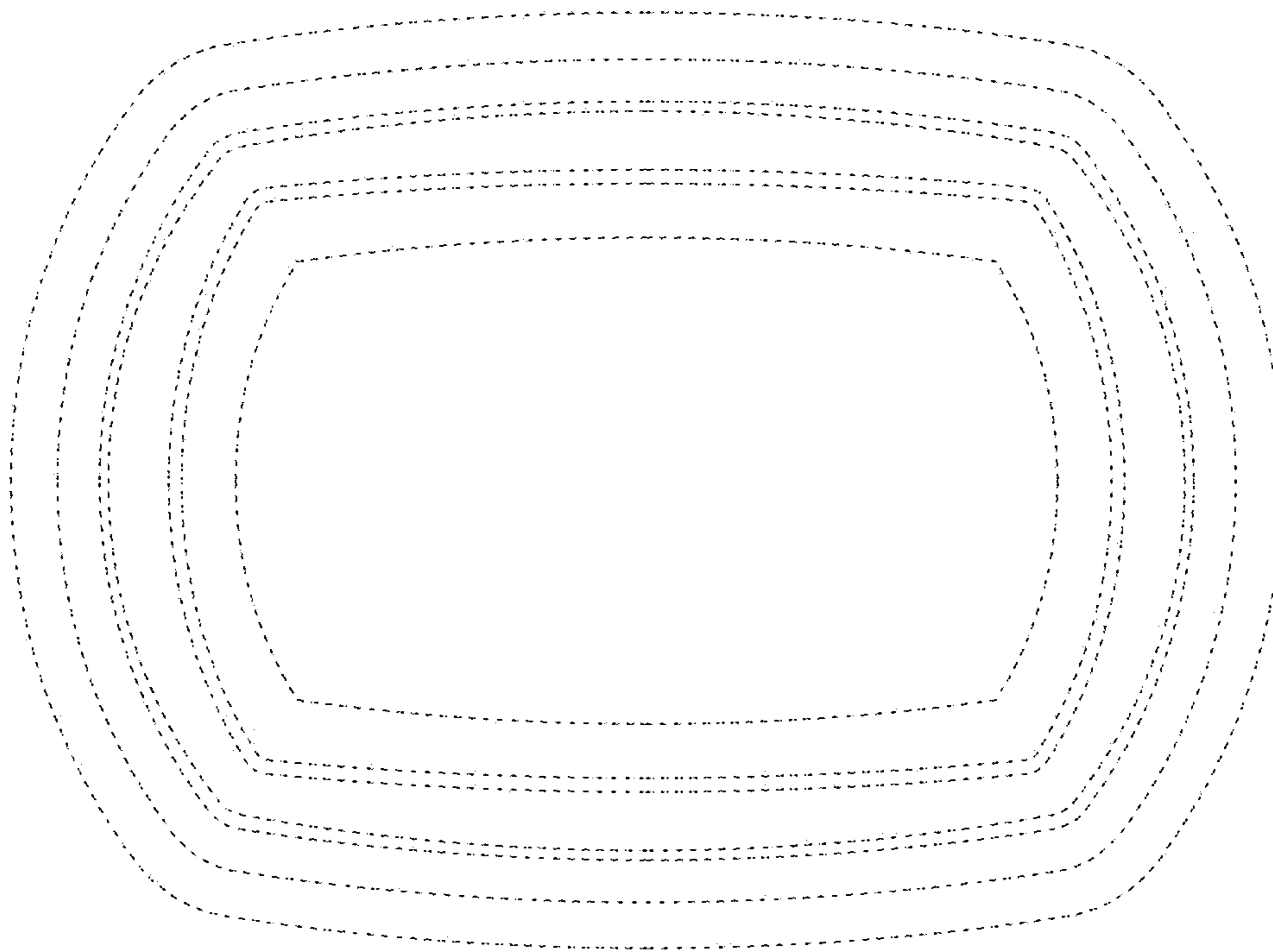


FIG. 14