



US00D937676S

(12) **United States Design Patent**
Kreider et al.

(10) **Patent No.:** **US D937,676 S**
(45) **Date of Patent:** **** Dec. 7, 2021**

(54) **COMBINED FRAGRANCE BOTTLE, END CAP AND TRAVEL VIAL**

(71) Applicant: **Tommy Hilfiger Licensing LLC**, New York, NY (US)

(72) Inventors: **Erik Berg Kreider**, Brooklyn, NY (US); **Sharon Sut Lo**, Flushing, NY (US); **Michelle A. Badalich**, New York, NY (US)

(73) Assignee: **Tommy Hilfiger Licensing, LLC**, New York, NY (US)

(**) Term: **15 Years**

(21) Appl. No.: **29/726,084**

(22) Filed: **Feb. 28, 2020**

(51) **LOC (13) Cl.** **09-07**

(52) **U.S. Cl.**
USPC **D9/439; D9/436; D9/440; D9/504**

(58) **Field of Classification Search**
USPC **D7/392.1, 396.2, 397; D9/434-436, 499, D9/448, 516, 544, 723, 726, 729, 504,**
(Continued)

(56) **References Cited**

U.S. PATENT DOCUMENTS

D180,828 S 8/1957 Funkey
D194,716 S 2/1963 Edell

(Continued)

FOREIGN PATENT DOCUMENTS

AU 122986 3/1995
AU 141975 10/2000

(Continued)

OTHER PUBLICATIONS

Youtube. Tommy Hilfiger Impact Fragrance Review—Best on the Go Scent Ever? Feb. 7, 2021. <https://www.youtube.com/watch?v=i3QpnkFajJ0> (Year: 2021).*

(Continued)

Primary Examiner — Darcey E Gottschalk
(74) *Attorney, Agent, or Firm* — Venable LLP

(57) **CLAIM**

The ornamental design for a combined fragrance bottle, end cap and travel vial, as shown and described.

DESCRIPTION

FIG. 1 is a top front right isometric view showing our new design of a combined fragrance bottle, end cap and travel vial;

FIG. 2 is a front elevational view thereof;

FIG. 3 is a rear elevational view thereof;

FIG. 4 is a left-side elevational view thereof;

FIG. 5 is a right-side elevational view thereof;

FIG. 6 is a top plan view thereof;

FIG. 7 is a bottom plan view thereof;

FIG. 8 is an exploded view showing the combined fragrance bottle, end cap and travel vial;

FIG. 9 is a top front isometric view of the travel vial, shown removed for clarity of disclosure;

FIG. 10 is a bottom rear left isometric view of the travel vial;

FIG. 11 is a front elevational view of the travel vial (the rear elevational view is a mirror image of the front);

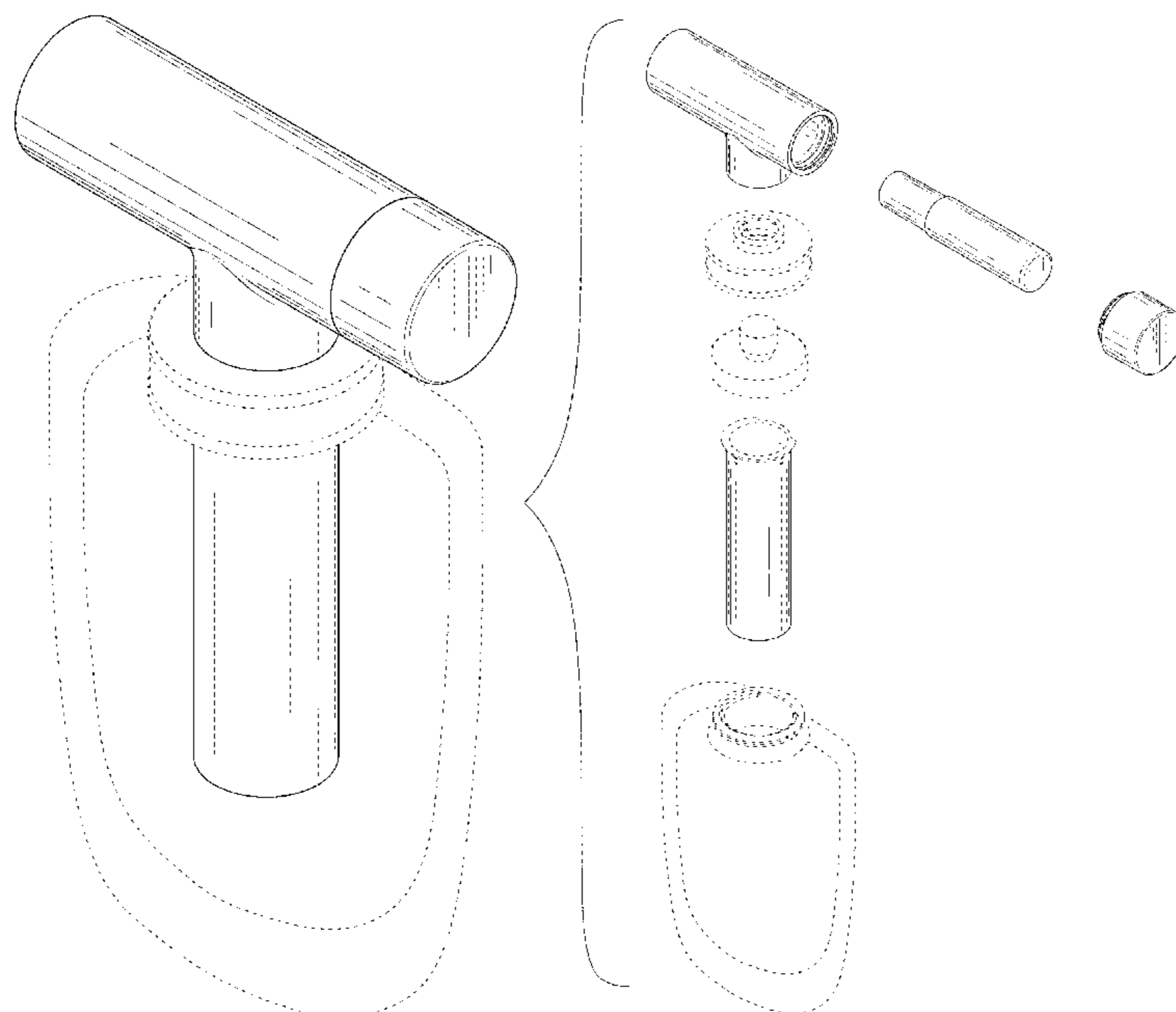
FIG. 12 is a left-side elevational view of the travel vial (the right-side elevational view is a mirror image of the left side);

FIG. 13 is a top plan view of the travel vial; and,

FIG. 14 is a bottom plan view of the travel vial.

In the drawings, the broken lines show portions of the fragrance bottle that form no part of the claim.

1 Claim, 9 Drawing Sheets



(58) **Field of Classification Search**

USPC D9/529, 439, 440; D3/201, 205;
 D28/91.1, 7, 73, 76, 82-85, 99
 CPC B65D 39/00; B65D 39/0005; B65D 1/00;
 B65D 1/02; B65D 1/0223; B65D 23/00;
 B65D 2501/00; B65D 2501/0009; B65D
 2501/0081; A45D 34/02

See application file for complete search history.

D843,219 S * 3/2019 Faillant Dumas D9/544
 D915,894 S * 4/2021 Gasmi D9/564
 D918,053 S * 5/2021 Gasmi D9/564
 D918,721 S * 5/2021 Vellanki D9/504
 D923,254 S * 6/2021 Kuo D28/85
 D927,312 S * 8/2021 Campos D9/682
 2004/0089628 A1 * 5/2004 Fleischer B65D 39/0005
 215/355

(56)

References Cited

U.S. PATENT DOCUMENTS

D268,814 S 5/1983 Scalice
 D303,021 S * 8/1989 Reichmann D28/5
 D329,606 S 9/1992 Dinand et al.
 D330,783 S * 11/1992 Dinand D28/91.1
 D360,069 S * 7/1995 Wang D3/205
 D422,507 S 4/2000 Luzzi et al.
 D422,509 S 4/2000 Luzzi et al.
 D493,367 S * 7/2004 Simons D9/439
 D499,028 S * 11/2004 Faillant-Dumas D9/544
 D519,844 S 5/2006 Mansau
 D542,670 S * 5/2007 Herrmann D9/544
 D546,192 S 7/2007 Faillant Dumas
 D564,218 S * 3/2008 Bagus D3/205
 D606,415 S * 12/2009 Lavigne D9/434
 D611,829 S 3/2010 Van Der Straeten
 D620,804 S * 8/2010 Bogert D9/544
 D625,612 S 10/2010 Papiernik
 D639,667 S * 6/2011 Bogert D9/544
 D692,319 S * 10/2013 Moreau D9/724
 D717,176 S * 11/2014 Gomez D9/560
 D786,689 S * 5/2017 Dalton D9/573
 D826,724 S 8/2018 Staab et al.

FOREIGN PATENT DOCUMENTS

AU	141976	10/2000
AU	144409	7/2001
AU	300511	1/2005
AU	317618	1/2008
AU	325496	3/2009
AU	358280	10/2014
AU	358282	10/2014
AU	358311	10/2014

OTHER PUBLICATIONS

Youtube. Tommy Hilfiger Impact Eau de Toilette. Apr. 3, 2020.
<https://www.youtube.com/watch?v=gzWjARepi-4> (Year: 2020).*

The Moodie Davitt Report. Bold and masculine: The Estee Lauder Companies debuts Tommy Hilfiger Impact EdT. Apr. 6, 2020.
<https://www.moodiedavittreport.com/bold-and-masculine-the-estee-lauder-companies-debuts-tommy-hilfiger-impact-edt/> (Year: 2020).*

“Exclusive: Tommy Hilfiger to Launch Newest Fragrance: Impact” available at: <https://wwd.com/beauty-industry-news/fragrance/tommy-hilfiger-to-launch-impact-fragrance-james-bay-wincen-weiss-1203495115/>, published Feb. 24, 2020.

* cited by examiner

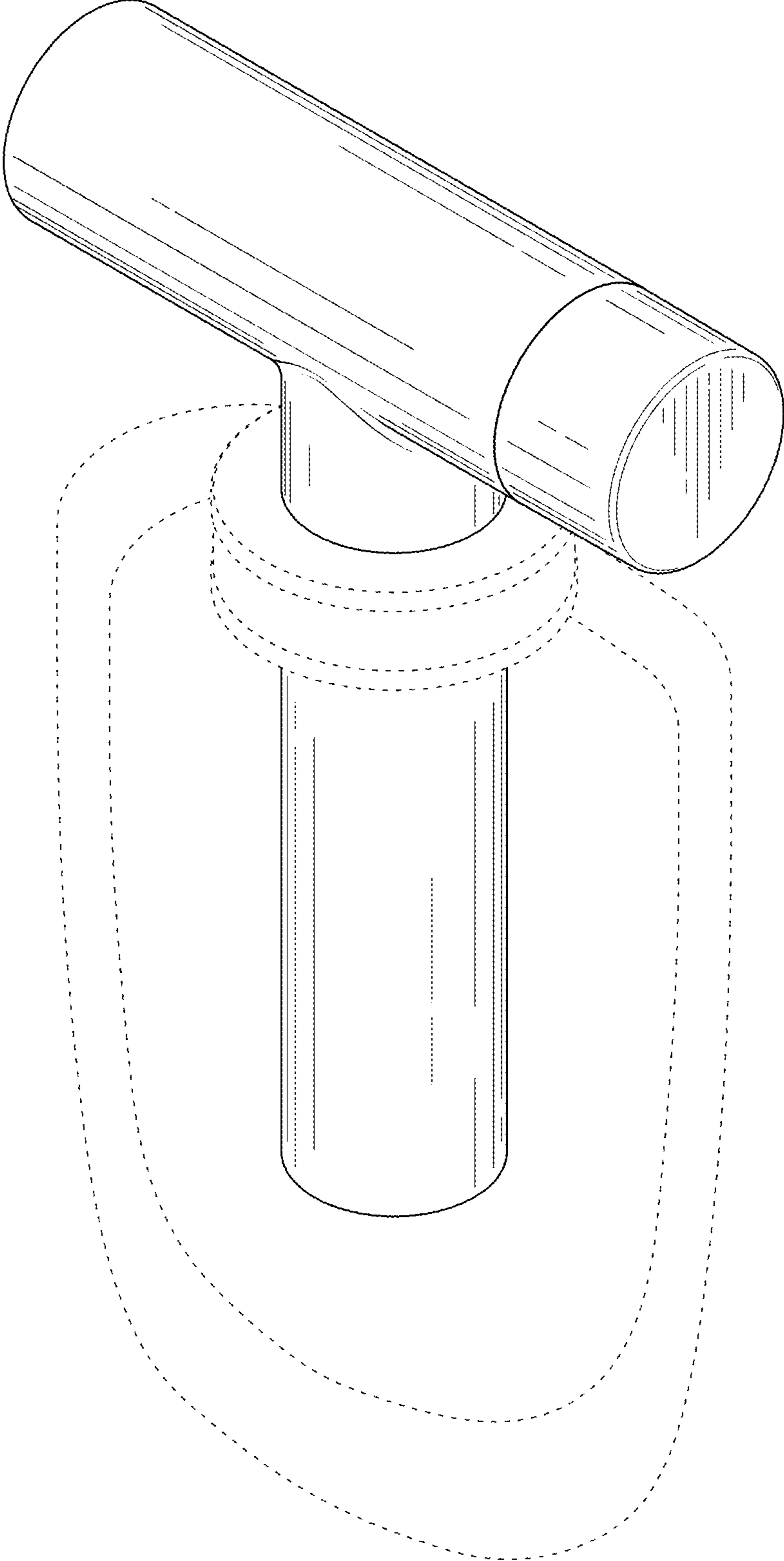


FIG. 1

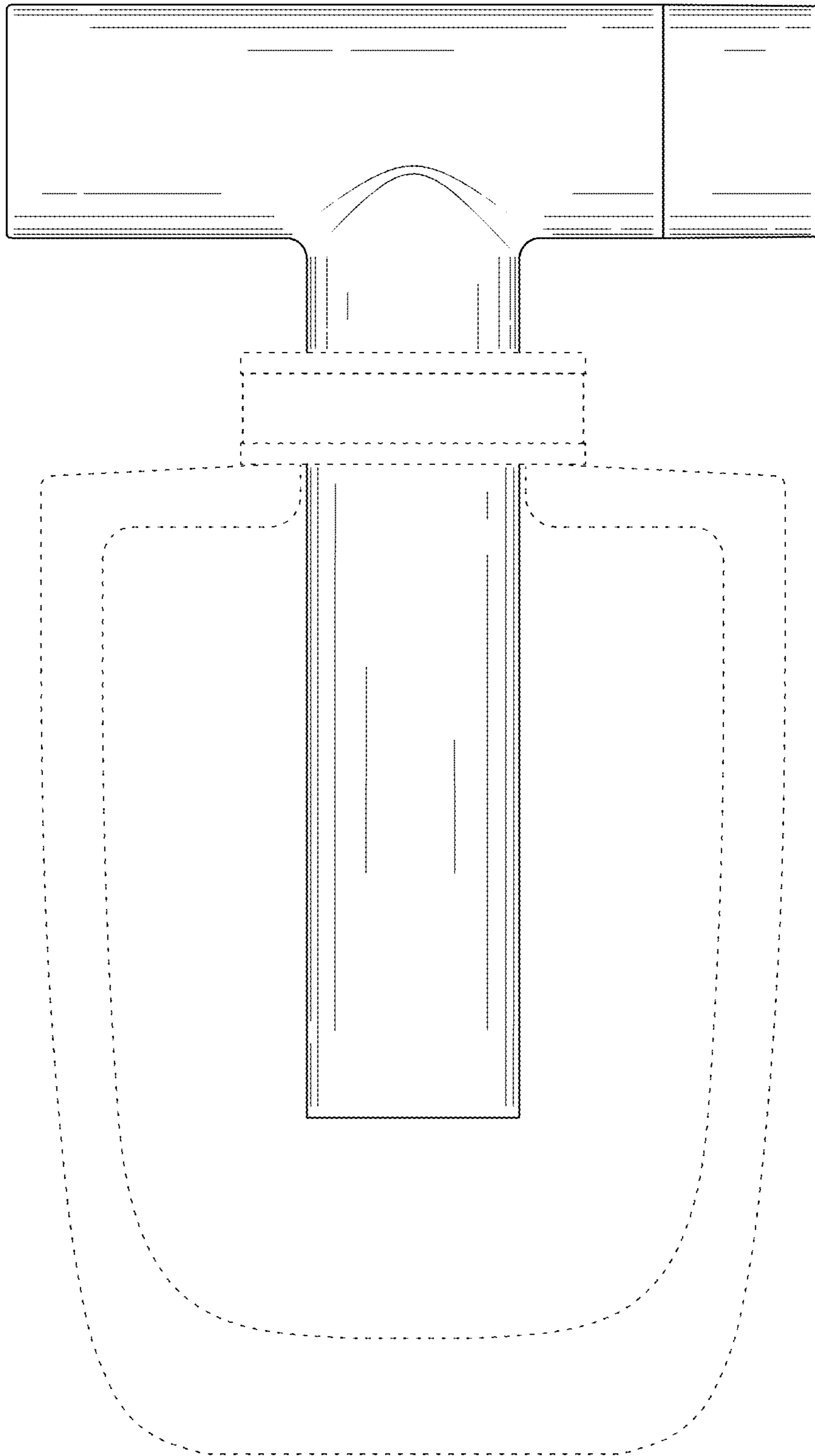


FIG. 2

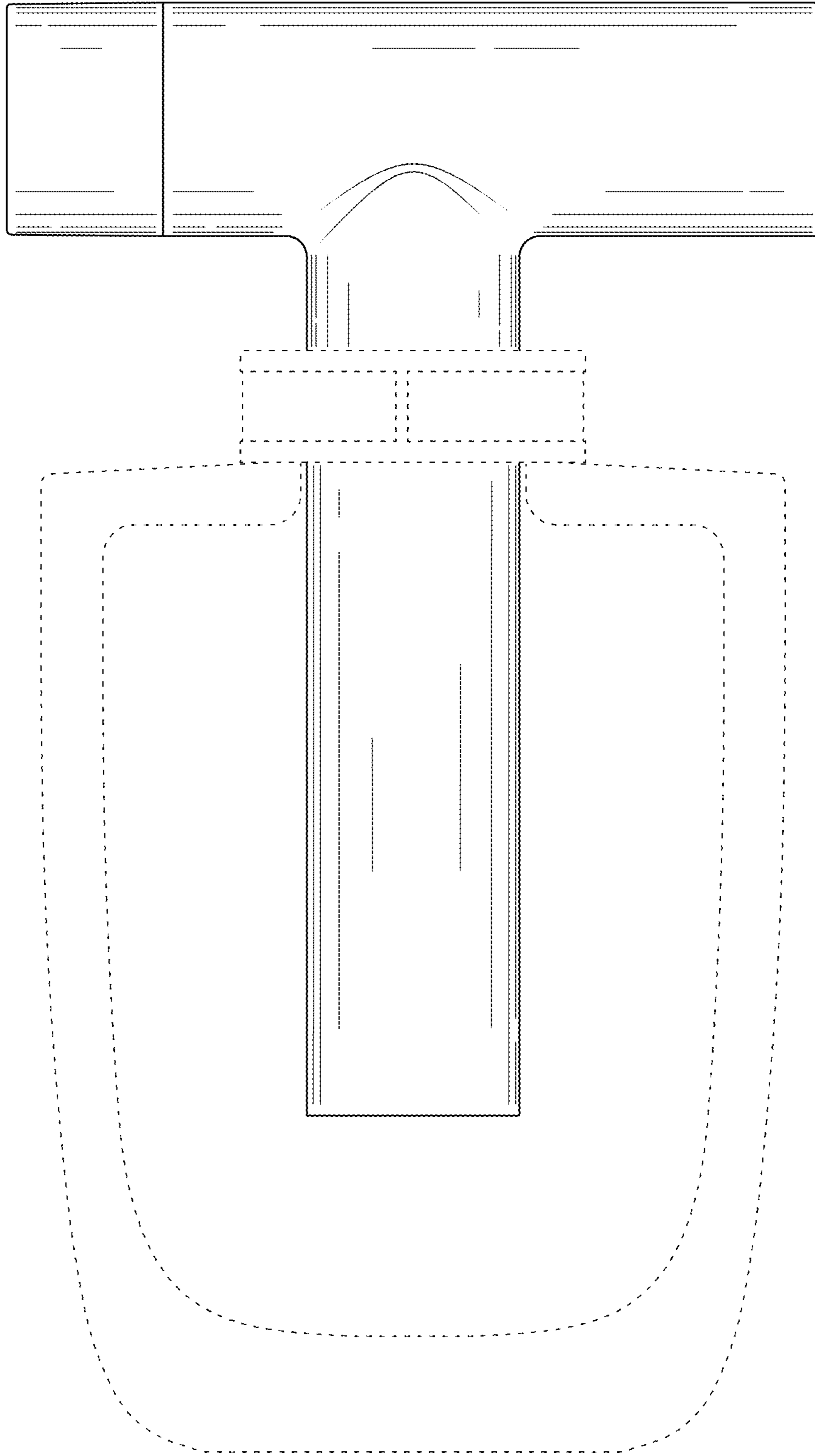


FIG. 3

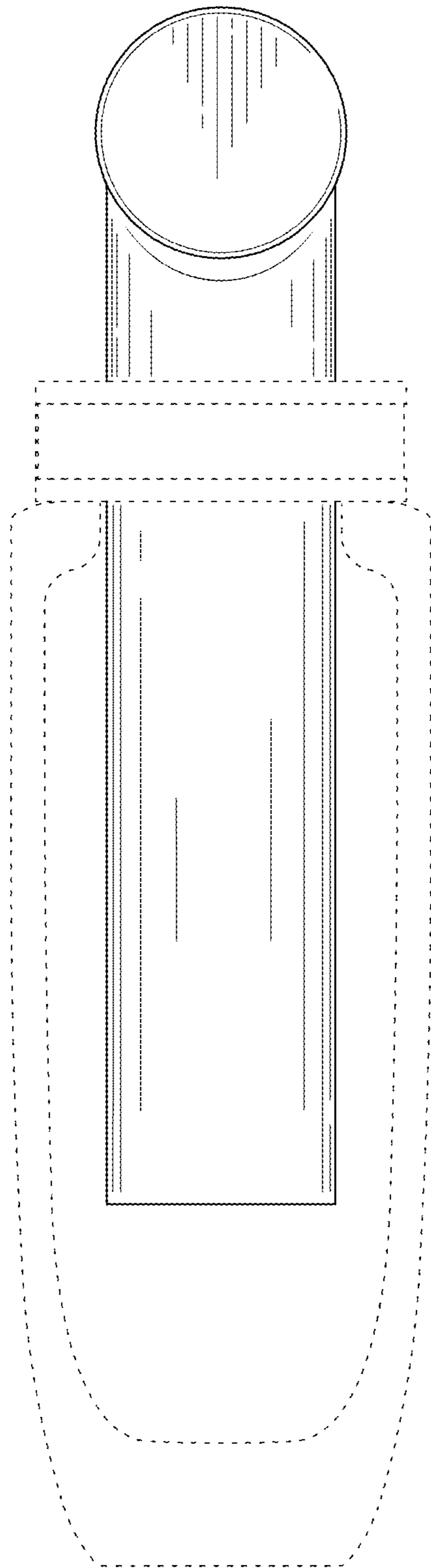


FIG. 4

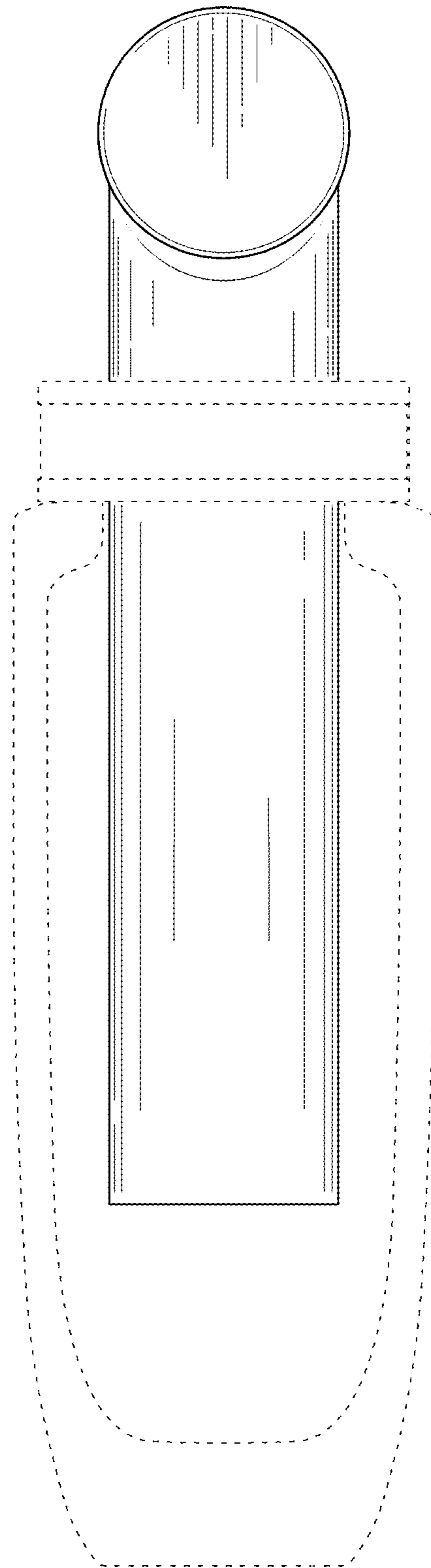


FIG. 5

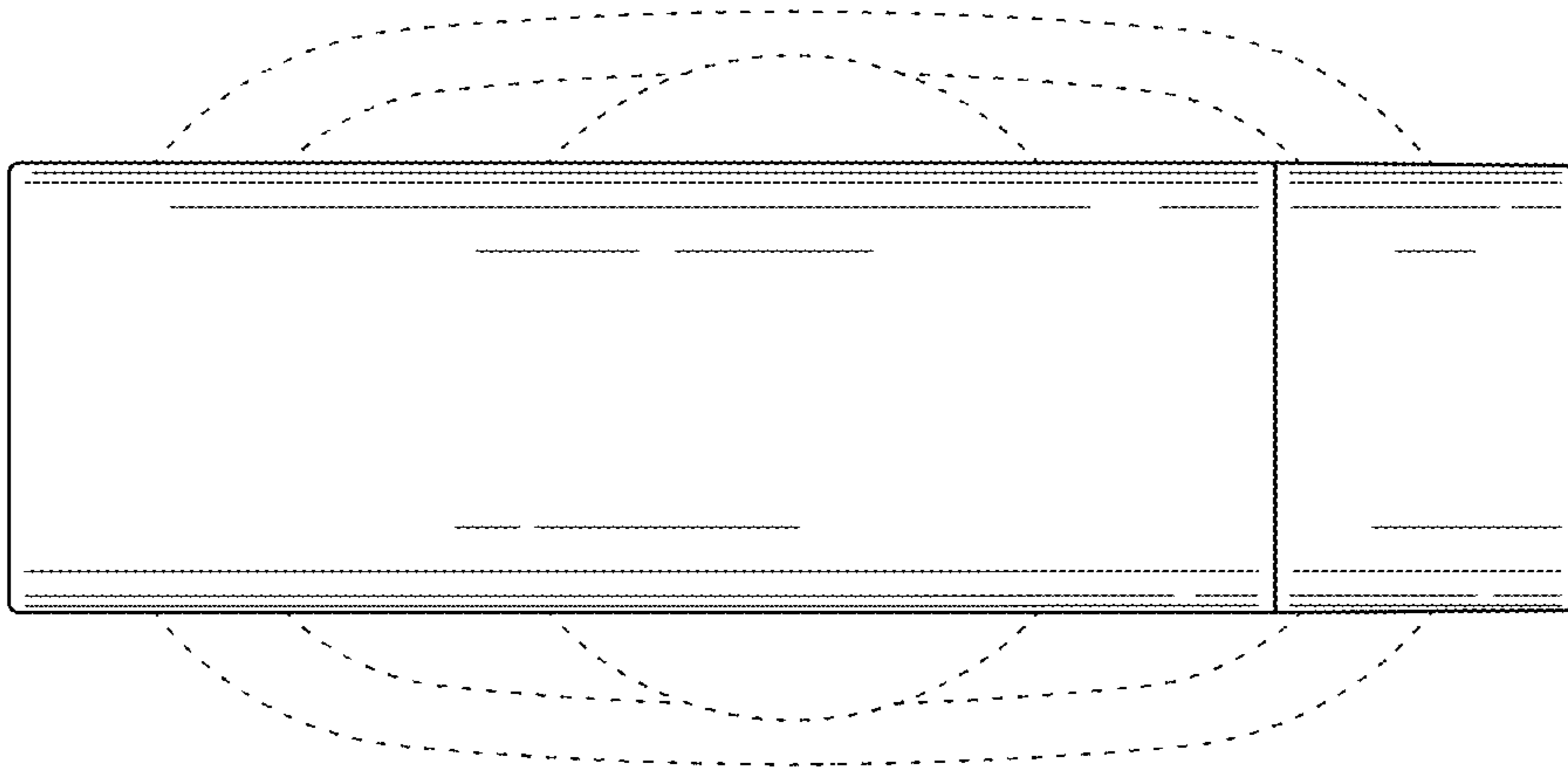


FIG. 6

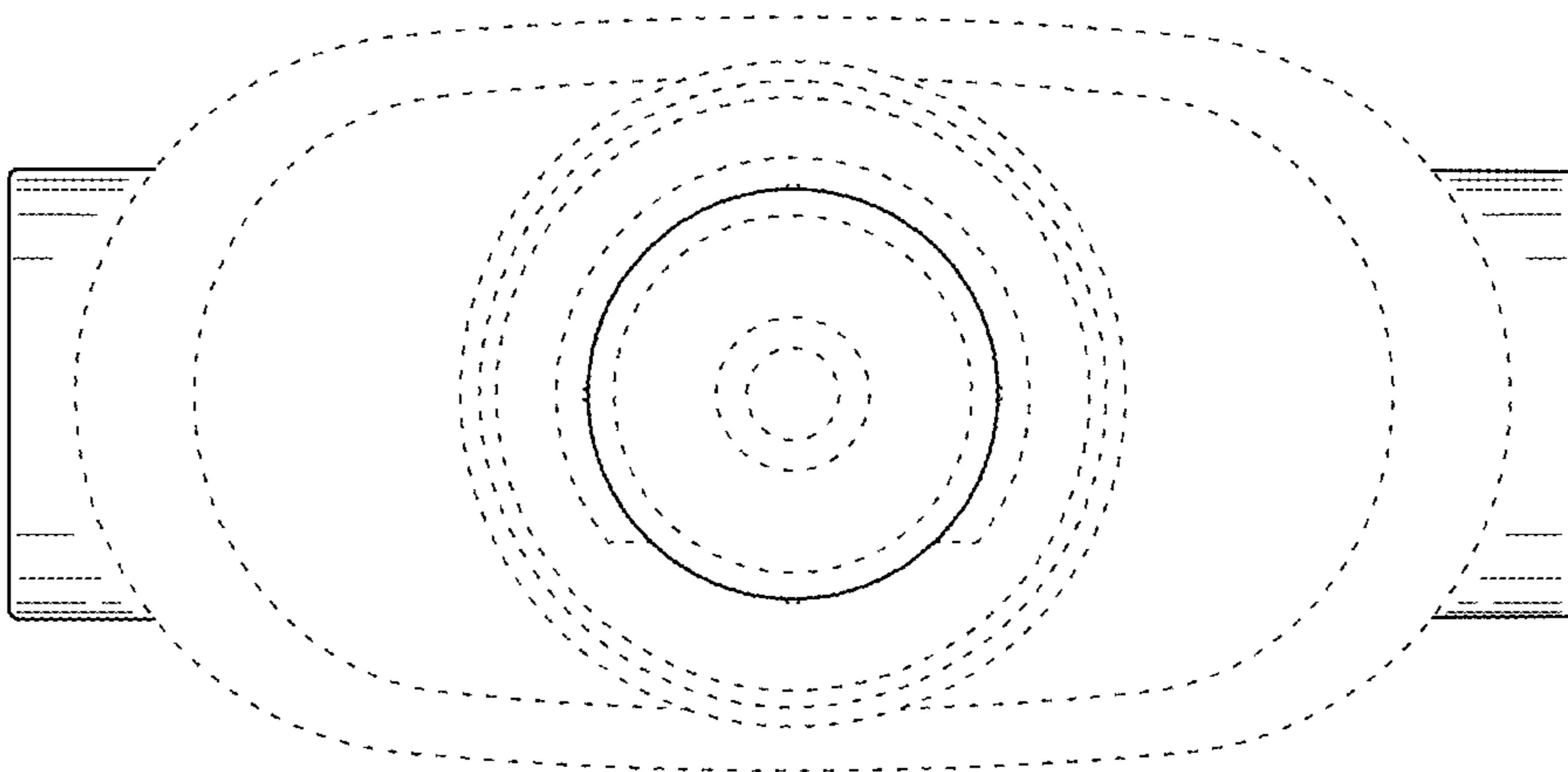


FIG. 7

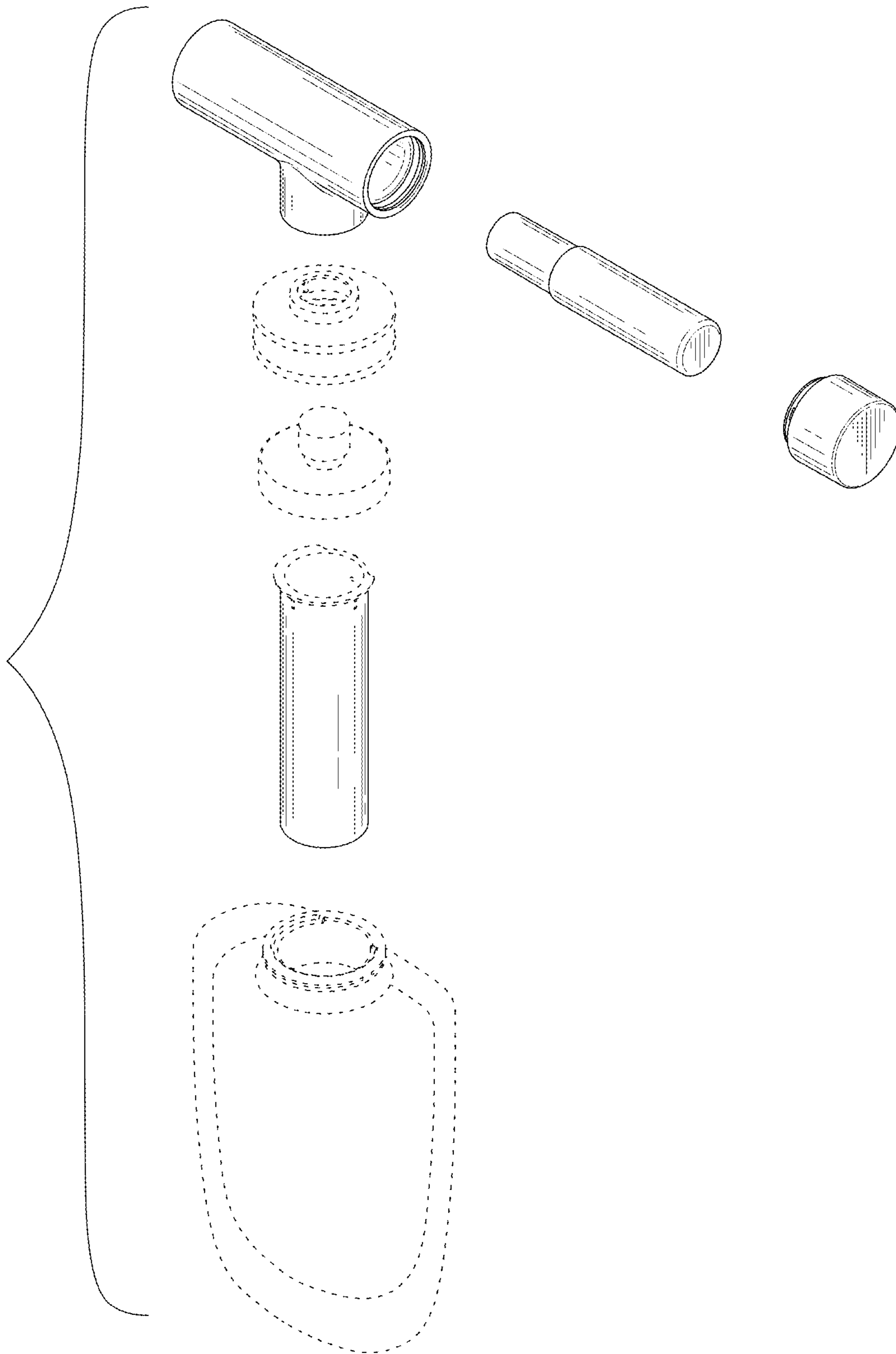


FIG. 8

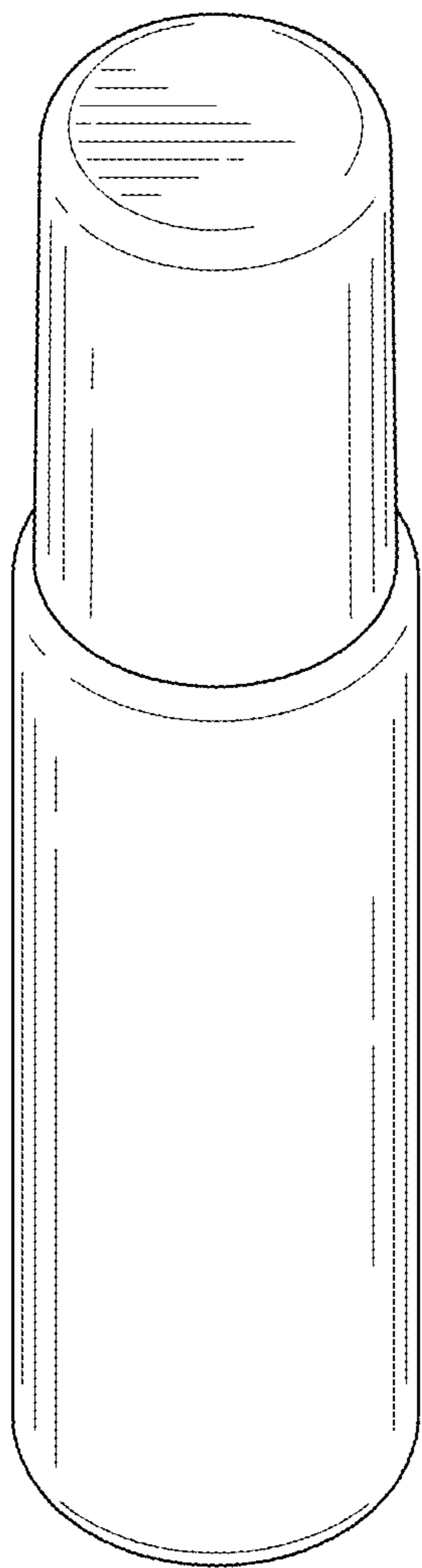


FIG. 9

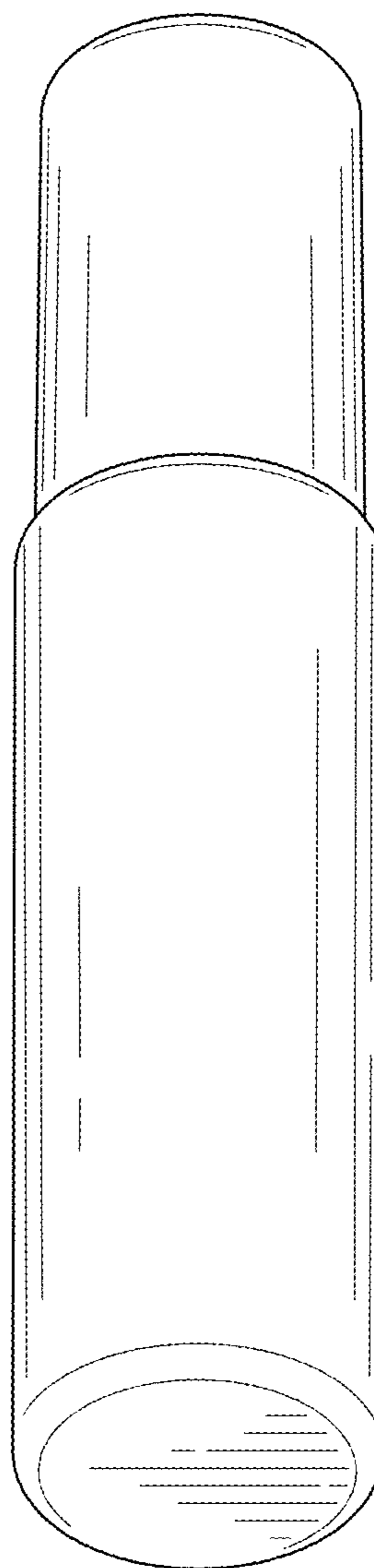


FIG. 10

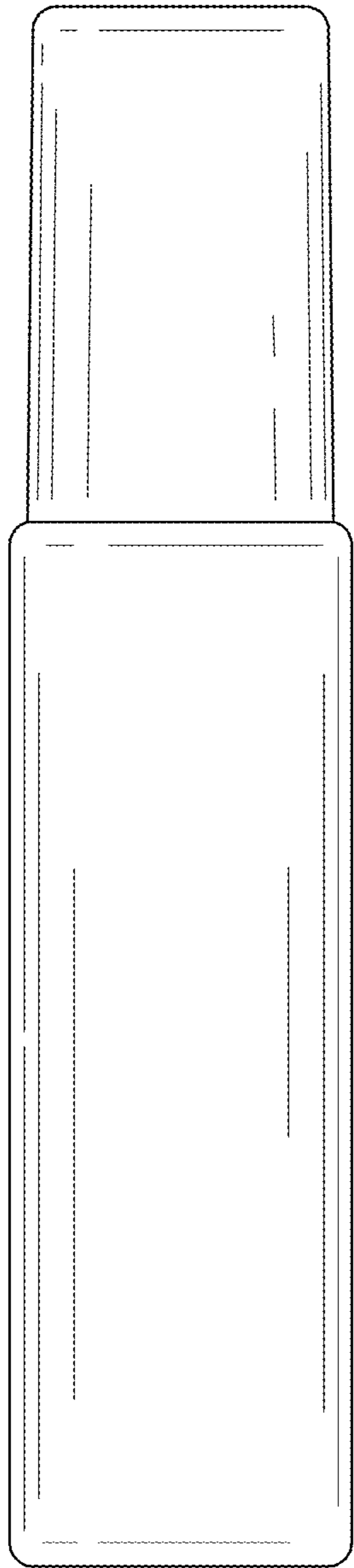


FIG. 11

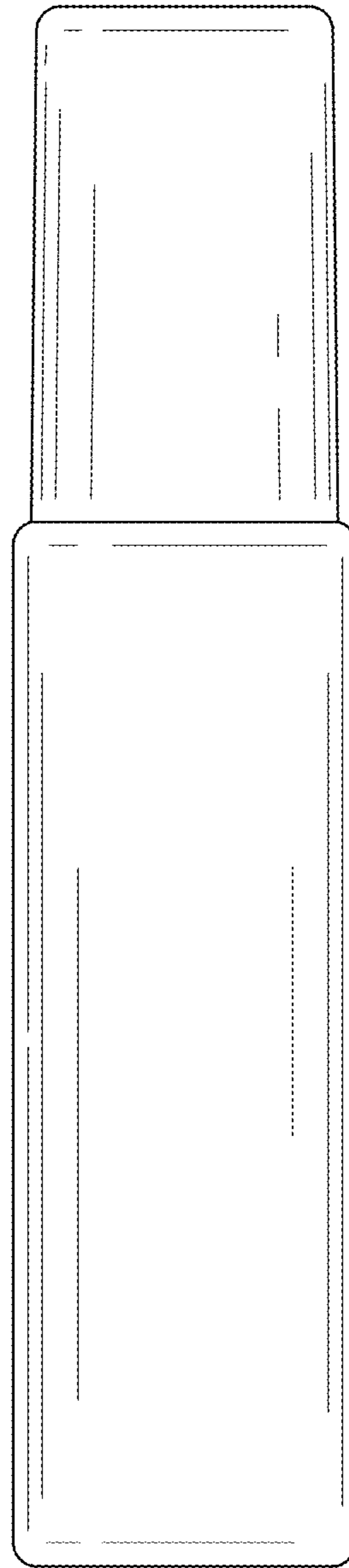


FIG. 12

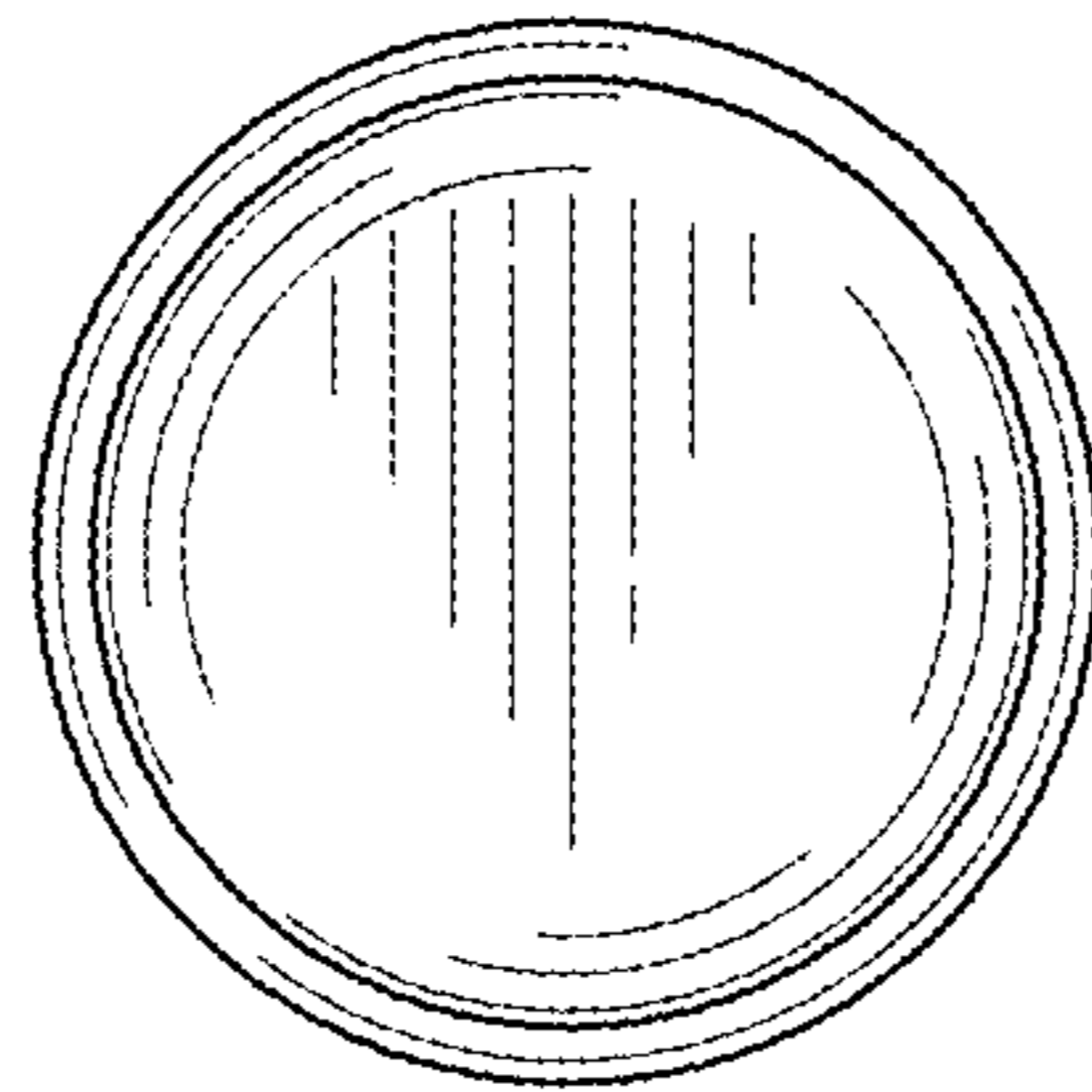


FIG. 13

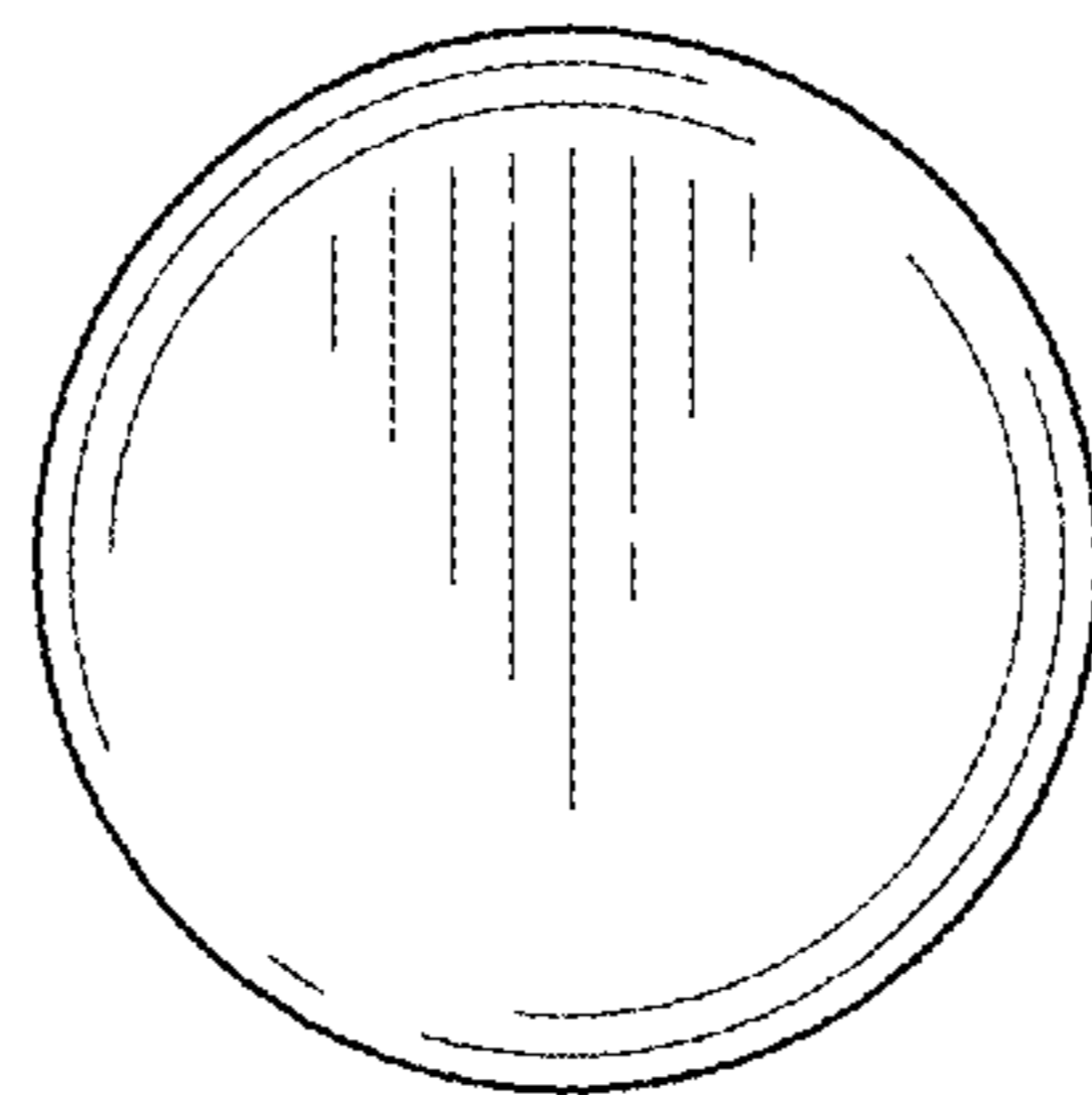


FIG. 14