



US00D937675S

(12) **United States Design Patent** (10) **Patent No.:** **US D937,675 S**
Berger et al. (45) **Date of Patent:** **** Dec. 7, 2021**

(54) **LID FOR PACKAGING BOX**
(71) Applicant: **Kimberly-Clark Worldwide, Inc.**,
Neenah, WI (US)
(72) Inventors: **Maggie VanderHeiden Berger**,
Neenah, WI (US); **Heidi Ellen Gehrke**,
Neenah, WI (US); **Jeremy T. Gauger**,
Neenah, WI (US); **Bryan Eliot Rolfs**,
Chicago, IL (US); **Amanda Ann**
Thelen, Neenah, WI (US)

D525,464 S 7/2006 Khurana
D526,562 S * 8/2006 Jelich D9/435
D663,980 S 7/2012 Bendana et al.
D712,261 S 9/2014 Humm et al.
D712,751 S 9/2014 Bechyne et al.
D719,847 S 12/2014 Li et al.
9,399,540 B2 7/2016 Bushman et al.
D784,811 S * 4/2017 Scevola D9/454
D794,456 S 8/2017 Rockwell

(Continued)

(73) Assignee: **Kimberly-Clark Worldwide, Inc.**,
Neenah, WI (US)

FOREIGN PATENT DOCUMENTS

(**) Term: **15 Years**

WO D096887-001 * 6/2017
WO D096887001 6/2017
WO 2019045730 A1 3/2019

(21) Appl. No.: **35/001,803**

(22) Filed: **Mar. 5, 2020**

Primary Examiner — Keli L Hill

(80) **Hague Agreement Data**

(74) *Attorney, Agent, or Firm* — Banner & Witcoff, Ltd.

Int. Filing Date: **Mar. 5, 2020**

Int. Reg. No.: **DM/209223**

Int. Reg. Date: **Mar. 5, 2020**

Int. Reg. Pub. Date: **Jul. 24, 2020**

(57) **CLAIM**

The ornamental design for a lid for packaging box, as shown and described.

(51) **LOC (13) Cl.** **09-07**

(52) **U.S. Cl.**
USPC **D9/434; D9/435; D9/449**

DESCRIPTION

(58) **Field of Classification Search**
USPC D9/414, 420, 430, 432, 434, 435, 731,
D9/734; D3/203.1, 203.2, 203.4;
D6/515, 517, 518, 522; D28/82
CPC A47K 10/42; A47K 2010/3266; B65D
43/16; B65D 43/26; B65D 43/169; B65D
47/08; B65D 47/088; B65D 75/58; B65D
75/5894; B65D 83/08; B65D 83/0805;
Y10T 29/49826

- 1. Lid for packaging box
- 1.1 : Claimed design in exemplary environment
- 1.2 : Perspective
- 1.3 : Back
- 1.4 : Left
- 1.5 : Right
- 1.6 : Top

See application file for complete search history.

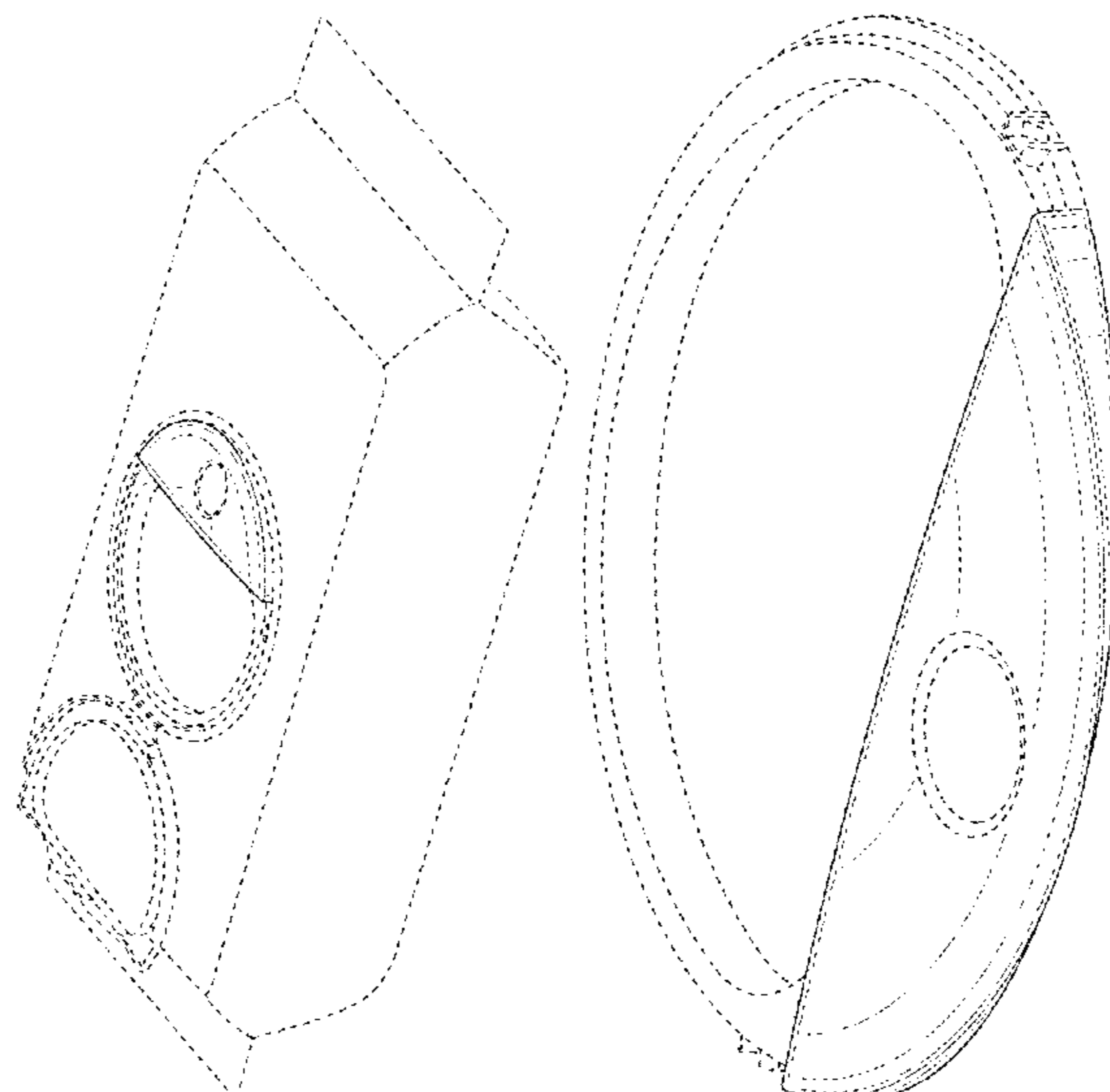
The claimed subject matter is shaded to indicate relief or contours; the broken lines that are adjacent to the claimed subject matter indicate the bounds of the claimed subject matter and form no part thereof; the remaining broken lines indicate unclaimed subject matter; the bottom view is omitted because it is flat and includes no ornamentation; the front view is omitted because it includes no additional ornamentation or disclosure.

(56) **References Cited**

U.S. PATENT DOCUMENTS

D443,450 S 6/2001 Ruhotas et al.
D512,911 S * 12/2005 Floyd B65D 75/5894
D9/435

1 Claim, 6 Drawing Sheets



(56)

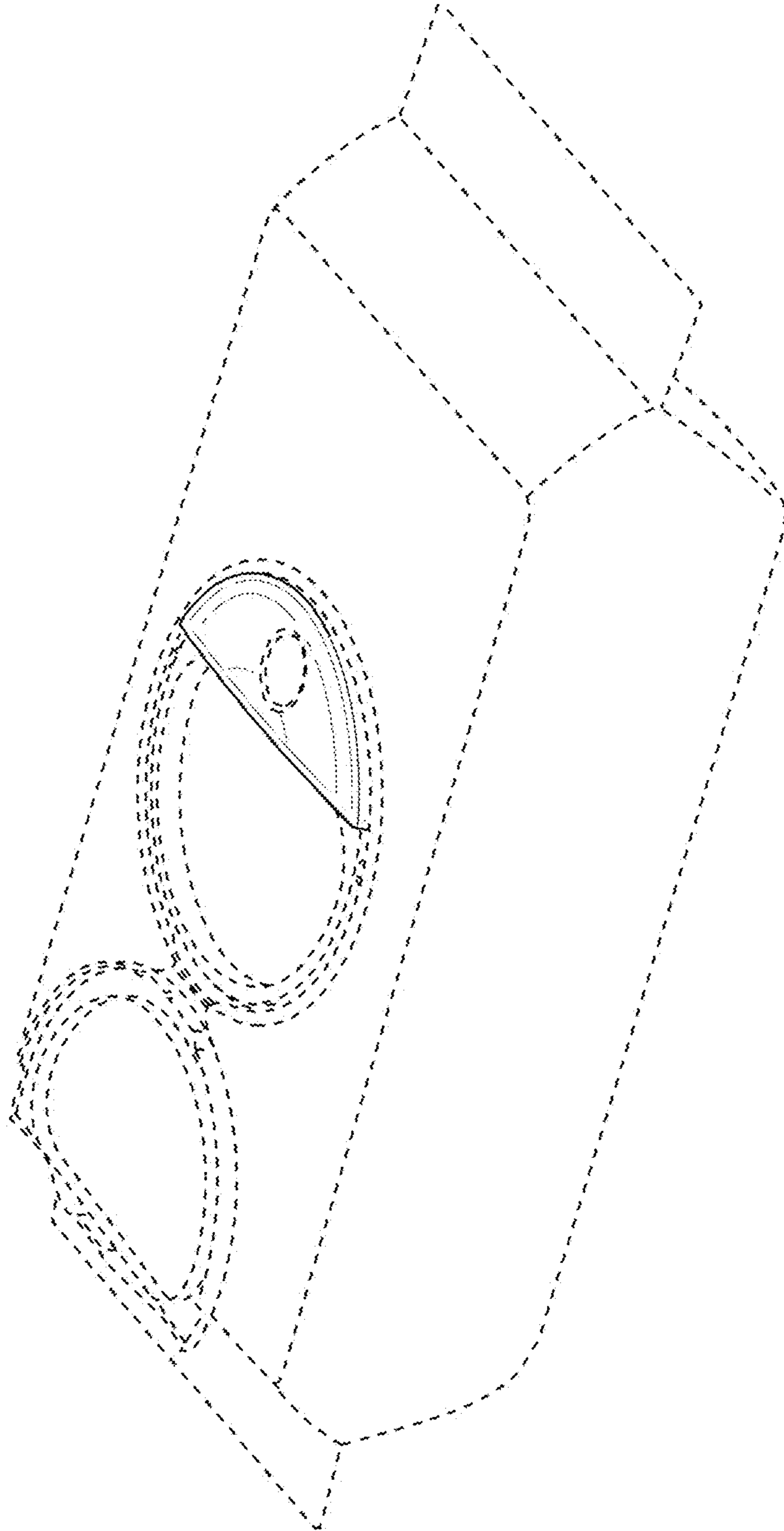
References Cited

U.S. PATENT DOCUMENTS

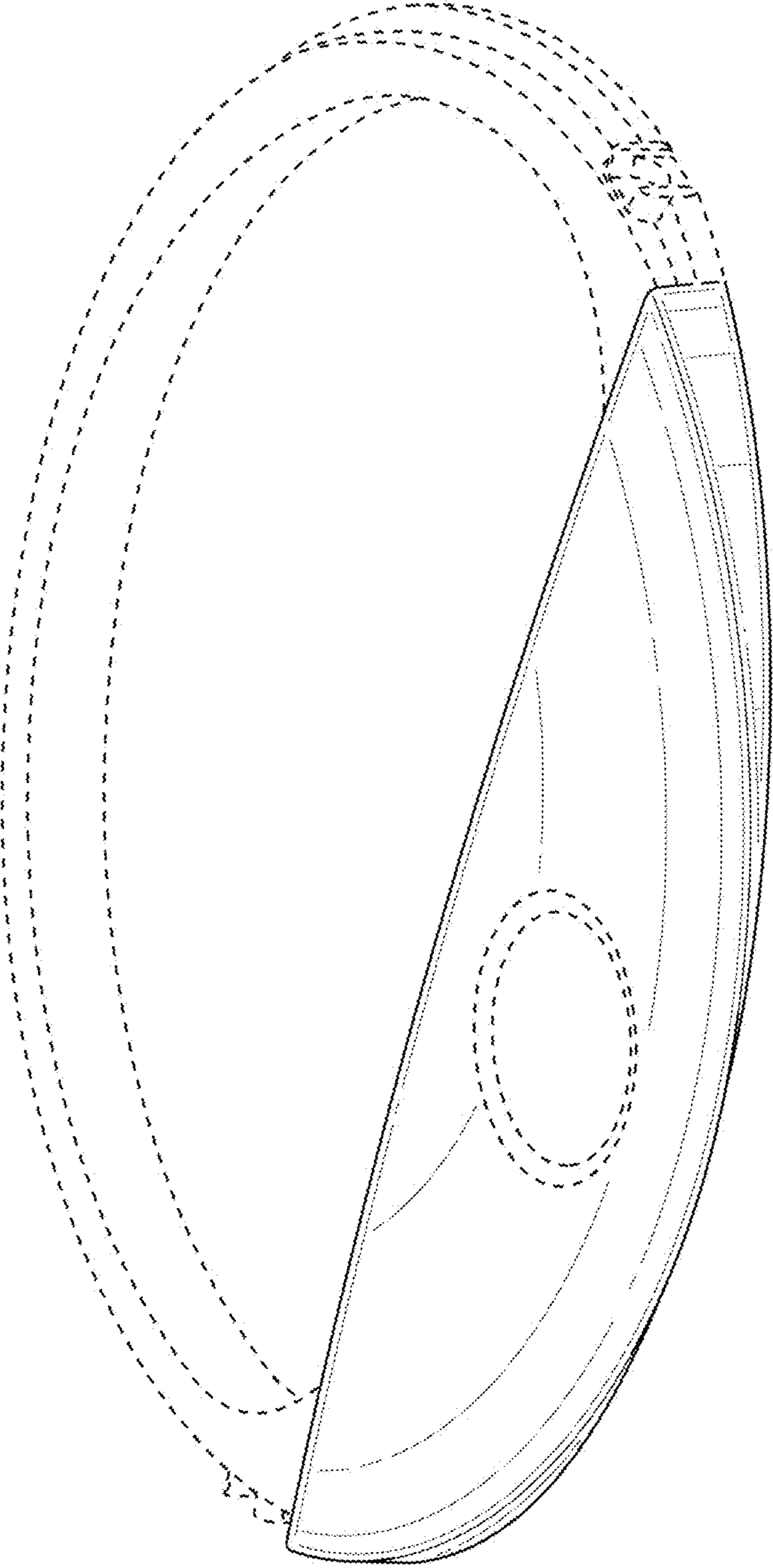
D804,218 S	12/2017	Worden, IV et al.	
D824,255 S *	7/2018	Bruno	D9/435
10,349,790 B2	7/2019	Fulscher et al.	
D912,513 S	3/2021	Moon	
D912,514 S *	3/2021	Moon	D9/449
2016/0113450 A1	4/2016	Yamada	
2020/0260922 A1 *	8/2020	Rolfs	B65D 75/5894

* cited by examiner

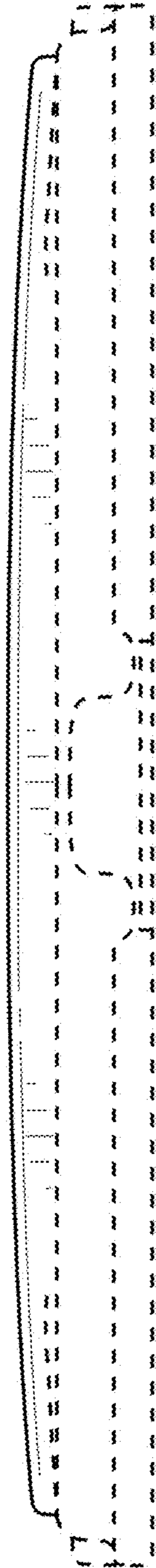
1.1



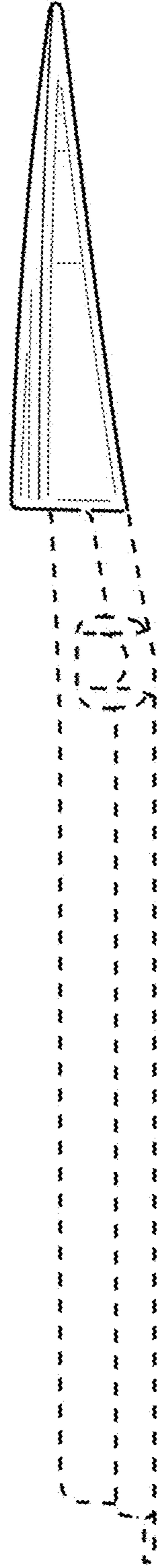
1.2



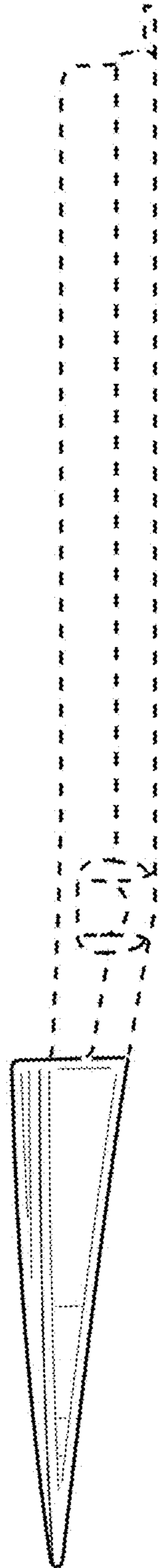
1.3



1.4



1.5



1.6

