



US00D937674S

(12) **United States Design Patent** (10) **Patent No.:** **US D937,674 S**  
**Griffin et al.** (45) **Date of Patent:** **\*\* Dec. 7, 2021**

(54) **CONTAINER BASE**

(71) Applicants: **Jeremy Griffin**, Lancaster, CA (US);  
**Jacob Griffin**, Lancaster, CA (US)

(72) Inventors: **Jeremy Griffin**, Lancaster, CA (US);  
**Jacob Griffin**, Lancaster, CA (US)

(\*\*) Term: **15 Years**

(21) Appl. No.: **29/780,956**

(22) Filed: **Apr. 27, 2021**

**Related U.S. Application Data**

(63) Continuation-in-part of application No. 29/763,838,  
filed on Dec. 24, 2020, now Pat. No. Des. 920,103,  
(Continued)

(51) **LOC (13) Cl.** ..... **09-07**

(52) **U.S. Cl.**  
USPC ..... **D9/434**; D9/454; D9/455

(58) **Field of Classification Search**  
USPC ..... D9/434, 454, 455, 456, 457, 499, 501,  
D9/516, 517, 549, 739; D6/310, 312,  
D6/512, 513; D19/32, 75, 91, 102, 113,  
D19/114; D20/19  
CPC ..... A47F 1/00; A47F 3/00; A47F 3/14; A47F  
3/142; A47F 5/10; A47F 5/11; A47F  
5/112; A47F 5/114; A47F 7/14; A63F  
1/10; A63F 9/10; A63F 9/1044; B42D  
5/00; B42D 5/04; B42D 5/043; B65D  
5/00; B65D 5/46;  
(Continued)

(56) **References Cited**

**U.S. PATENT DOCUMENTS**

D35,471 S \* 12/1901 Lorenz ..... D9/779  
2,076,549 A \* 4/1937 Conner ..... A45D 40/0068  
215/6

(Continued)

**OTHER PUBLICATIONS**

INNO Pill Grinder: Site Visited [Nov. 20, 2020]. Available from  
Internet URL: <https://www.walmart.com/ip/INNO-Pills-Medicine-Crusher-Grinder-Splitter-Tablet-Divider-Cutter-Storage-Box-Case/504917660>.

(Continued)

*Primary Examiner* — Wendy L Arminio

(74) *Attorney, Agent, or Firm* — Todd R. Miller

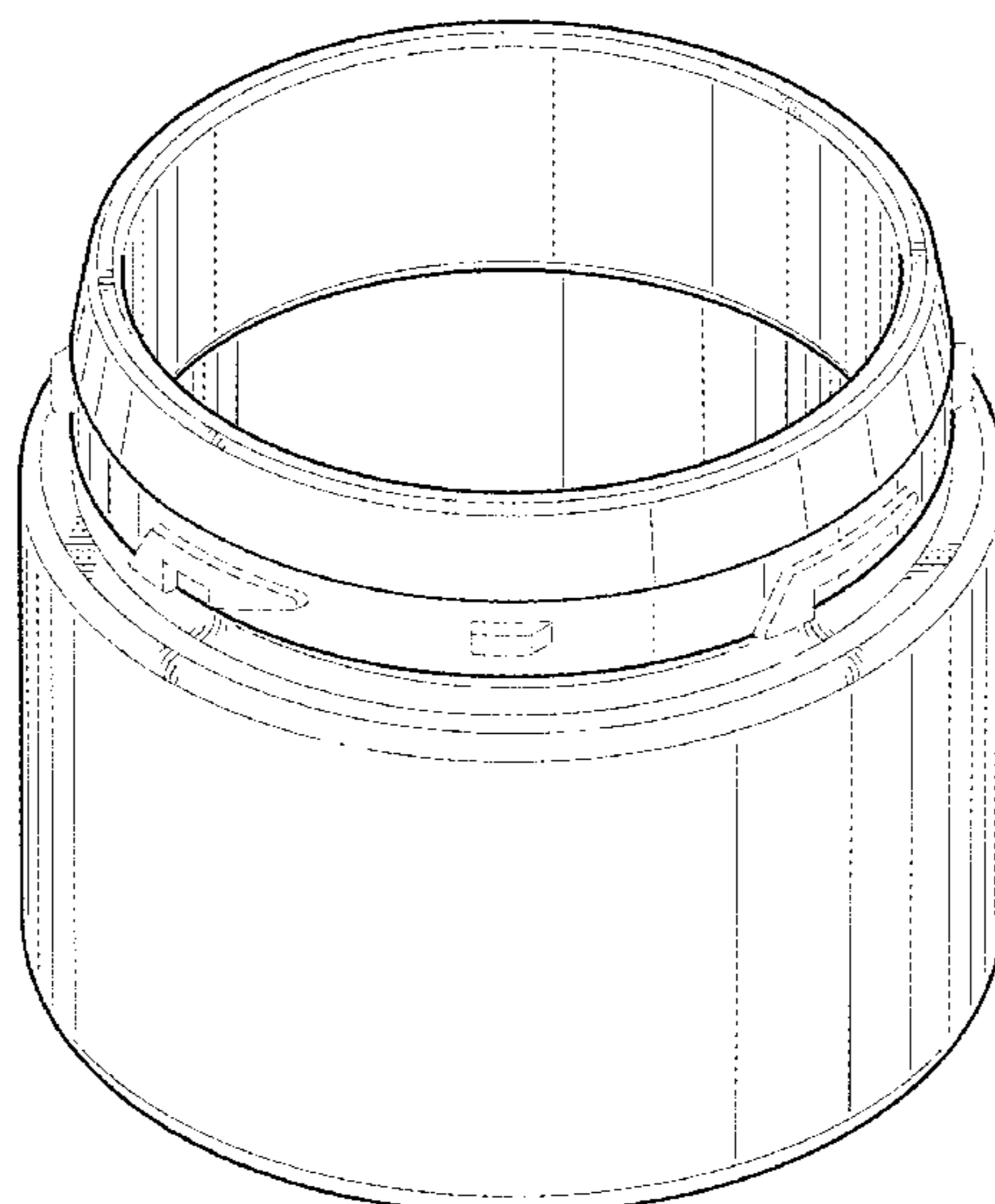
(57) **CLAIM**

The ornamental design for a container base, as shown and  
described.

**DESCRIPTION**

FIG. 1 is a top perspective view of a first embodiment of a  
container base;  
FIG. 2 is a top view thereof;  
FIG. 3 is a right side view thereof;  
FIG. 4 is a left side view thereof;  
FIG. 5 is a bottom view thereof;  
FIG. 6 is a top perspective view of an alternate size  
embodiment of the container base shown in FIG. 1;  
FIG. 7 is a top view of the container base shown in FIG. 6;  
FIG. 8 is a right side view of the container base shown in  
FIG. 6;  
FIG. 9 is a left side view of the container base shown in FIG.  
6;  
FIG. 10 is a bottom view of the container base shown in FIG.  
6;  
FIG. 11 is a top perspective view of another alternate size  
embodiment of the container base shown in FIG. 1;  
FIG. 12 is a top view of the container base shown in FIG. 11;  
FIG. 13 is a right side view shown in FIG. 11;  
FIG. 14 is a left side view shown in FIG. 11; and,  
FIG. 15 is a bottom view shown in FIG. 11.  
The broken lines in the figures depict portions of the  
container base that form no part of the claimed design.

**1 Claim, 15 Drawing Sheets**



**Related U.S. Application Data**

which is a continuation-in-part of application No. 29/750,052, filed on Sep. 10, 2020, now Pat. No. Des. 906,111.

(58) **Field of Classification Search**

CPC ..... B65D 5/52; B65D 5/5206; B65D 1/00; B65D 1/02; B65D 1/10; B65D 1/46; B65D 41/00; B65D 41/38; B65D 41/56; B65D 41/62; B65D 47/00; B65D 47/06; B65D 47/08; B65D 2251/00; B65D 2543/00046; B65D 2543/00092; B65D 2543/00296; G10G 5/00; A61J 1/00; A61J 1/1412

See application file for complete search history.

(56) **References Cited**

U.S. PATENT DOCUMENTS

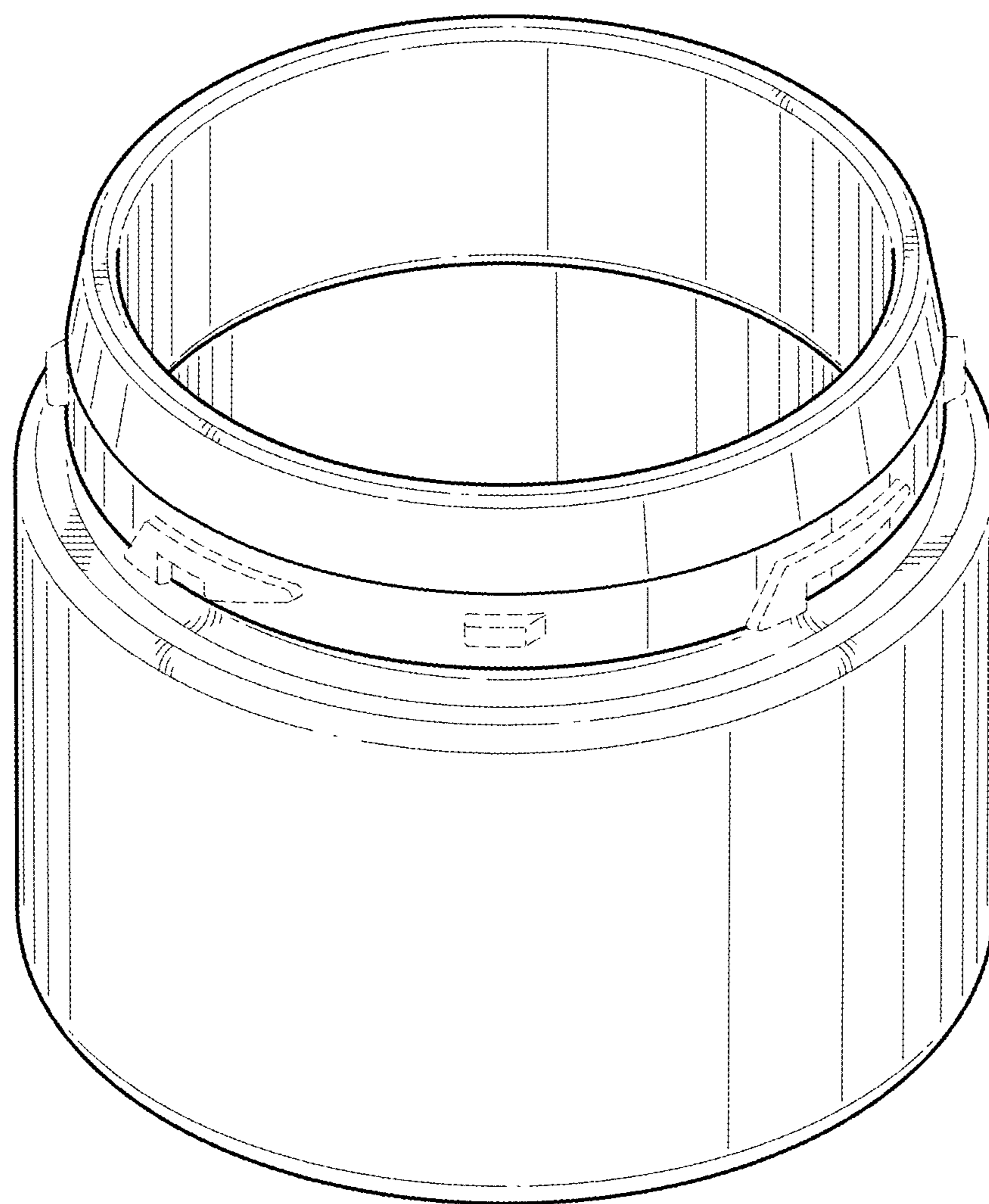
2,165,163	A	7/1939	Waters	
2,489,766	A	11/1949	Ernestus	
3,244,313	A *	4/1966	De Wayne Miles	..... B65D 41/0492 D9/504
3,311,248	A	3/1967	Marchant	
3,606,074	A	9/1971	Hayes	
D227,558	S	7/1973	Mathews	
D229,735	S	1/1974	Croyle	
3,927,782	A *	12/1975	Edwards	..... B65D 23/001 215/372
D241,621	S	9/1976	Morris	
D246,698	S	12/1977	Morris	
D252,984	S	9/1979	Moeller	
D277,826	S	3/1985	Brown	
D290,811	S *	7/1987	Cleveland, Jr.	..... D9/779
D295,596	S *	5/1988	Schaffer	..... D9/455
D298,719	S *	11/1988	Beckerer, Jr.	..... D9/455
D299,010	S	12/1988	Wall	
D300,495	S *	4/1989	Minuti	..... D7/608
D301,821	S *	6/1989	Bartolo	..... D7/608
D310,028	S	8/1990	Brandt	
D313,176	S *	12/1990	Okuda	..... D9/501
D315,781	S	3/1991	Hart	
D324,176	S *	2/1992	Patterson	..... D9/434
D325,783	S	4/1992	Anderson	
5,419,446	A	5/1995	Cox	
D363,665	S	10/1995	Goto	
D370,629	S	6/1996	Lynch	
D391,119	S	2/1998	Rapaz	
D400,787	S *	11/1998	Keener	..... D9/504
5,839,598	A	11/1998	Mitchell	
5,842,675	A *	12/1998	Davitt	..... B65D 25/24 D9/455
D444,702	S *	7/2001	Castleberry, II	..... D9/746
D447,410	S	9/2001	Malmborg	
D507,937	S	8/2005	Dais	
D522,378	S *	6/2006	Honda	..... D9/689
D554,367	S	11/2007	Chou	
D562,683	S	2/2008	Sweeton	
D565,412	S *	4/2008	Fuller	..... D9/454
D595,570	S	7/2009	Moretti	
D604,613	S	11/2009	Garboni	
D606,811	S	12/2009	Furlong	
D623,943	S	9/2010	Weld	
D632,174	S	2/2011	Charbonnet	
D667,698	S	9/2012	Tupy	
D679,990	S	4/2013	O'Brien	

8,424,711	B2	4/2013	Charbonnet	
D691,848	S	10/2013	Trudeau	
8,672,158	B2	3/2014	Taber	
D704,053	S	5/2014	Kim	
D706,133	S	6/2014	Robinson	
D716,003	S	10/2014	Brown	
D722,273	S *	2/2015	Ivie	..... D9/558
D731,312	S	6/2015	Shimizu	
D732,822	S	6/2015	Griffin	
D739,741	S	9/2015	Staab	
D772,019	S	11/2016	Williams	
D777,529	S	1/2017	Kellow	
D781,151	S	3/2017	Lerman	
D784,072	S	4/2017	Baron	
D797,559	S	9/2017	Lerman	
D804,311	S *	12/2017	Ruprecht	..... D9/434
D825,859	S	8/2018	Teller	
D827,364	S *	9/2018	Rummel	..... D7/392.1
D832,037	S *	10/2018	Gallagher	..... D7/397
D834,883	S	12/2018	Lane	
D835,508	S	12/2018	Burrowes	
D840,821	S	2/2019	Kokubo	
10,232,990	B2	3/2019	Sang	
D855,203	S	6/2019	Katsumata	
D854,887	S	7/2019	Boroski	
D855,707	S	8/2019	Ross	
D860,720	S *	9/2019	Gallagher	..... D7/397
D860,721	S *	9/2019	Gallagher	..... D7/397
D861,423	S *	10/2019	Gallagher	..... D7/397
D865,529	S	11/2019	Tidwell	
D872,528	S	1/2020	Hsu	
D876,186	S	2/2020	Marantis	
D878,196	S	3/2020	Tsai	
D886,635	S	6/2020	Kilduff	
10,737,841	B1	8/2020	Duoung	
D901,305	S	11/2020	Buck	
D906,111	S	12/2020	Griffin	
D907,497	S *	1/2021	Laib	..... D9/500
D920,103	S *	5/2021	Griffin	..... D9/434
D920,104	S *	5/2021	Griffin	..... D9/434
11,040,808	B2 *	6/2021	Karll	..... B65D 7/04
D926,578	S *	8/2021	Kim	..... D9/456
2002/0079417	A1	6/2002	Rousselet	
2009/0050598	A1 *	2/2009	Huang	..... B65D 23/001 215/376
2009/0050634	A1 *	2/2009	Girardot	..... B65D 23/001 220/581
2009/0060799	A1	3/2009	Torres	
2010/0000961	A1	1/2010	Harrower	
2010/0038337	A1	2/2010	Garboni	
2011/0274867	A1 *	11/2011	Pohlmann	..... B65D 1/10 428/67
2012/0118899	A1 *	5/2012	Wurster	..... B65D 1/0261 220/600
2016/0030285	A1	2/2016	Miceli	
2017/0044043	A1 *	2/2017	Date	..... C03B 11/125
2017/0202335	A1	7/2017	Johnson	
2018/0192762	A1 *	7/2018	Kang	..... A45D 40/0075
2018/0312322	A1 *	11/2018	Canales Kell	..... B65D 23/001
2020/0002046	A1 *	1/2020	Brozell	..... B65D 1/0261
2021/0093069	A1 *	4/2021	Jesberg	..... B65D 43/0225
2021/0188499	A1 *	6/2021	Ekkert	..... B65D 43/0212

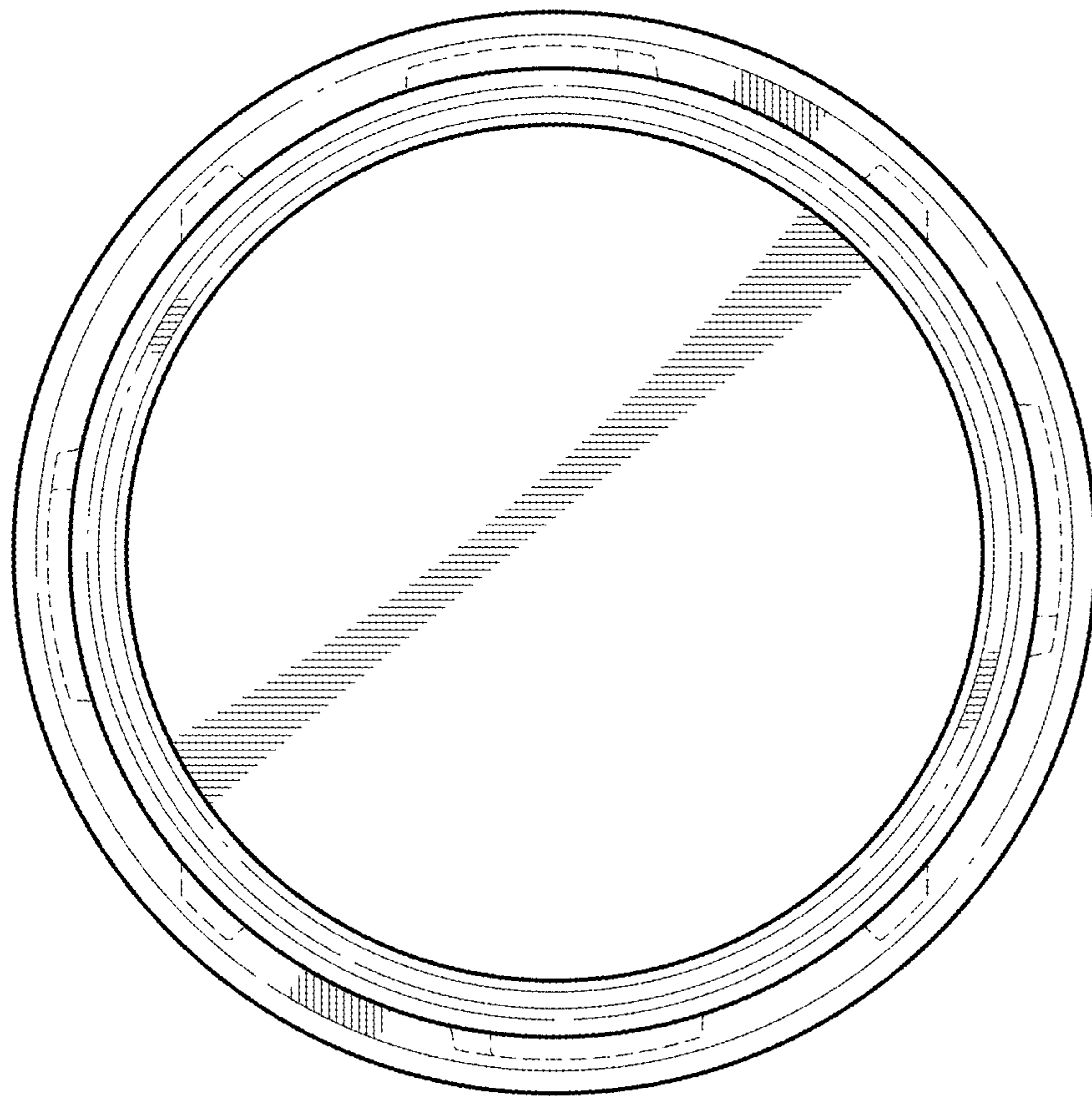
OTHER PUBLICATIONS

Twist Pill Crusher: Announced [Sep. 12, 2017 (online)]. Site Visited [Nov. 20, 2020]. Available from Internet URL: <https://www.vitalitymedical.com/twist-pi-ll-crusher.html>.

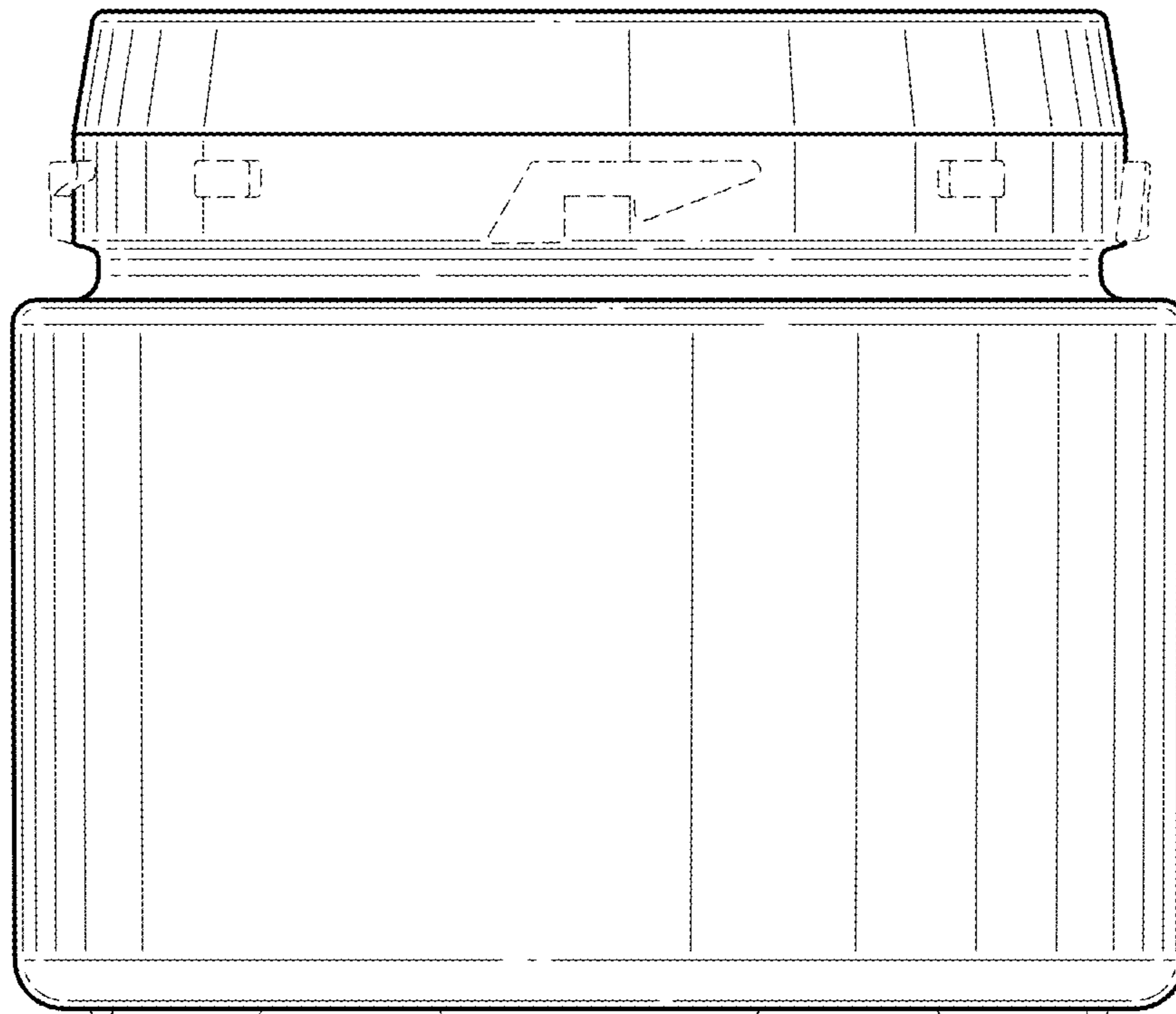
\* cited by examiner



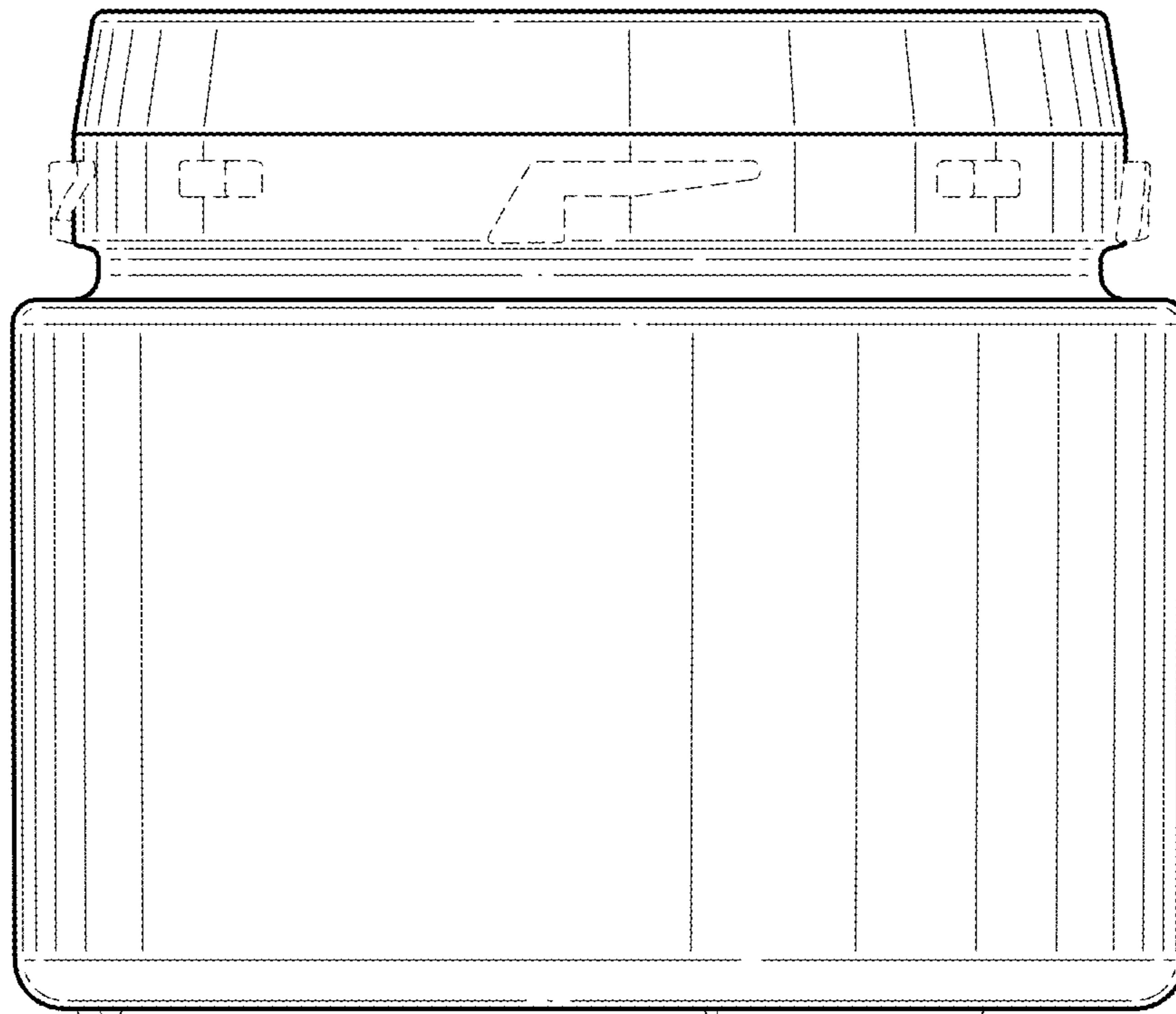
**FIG. 1**



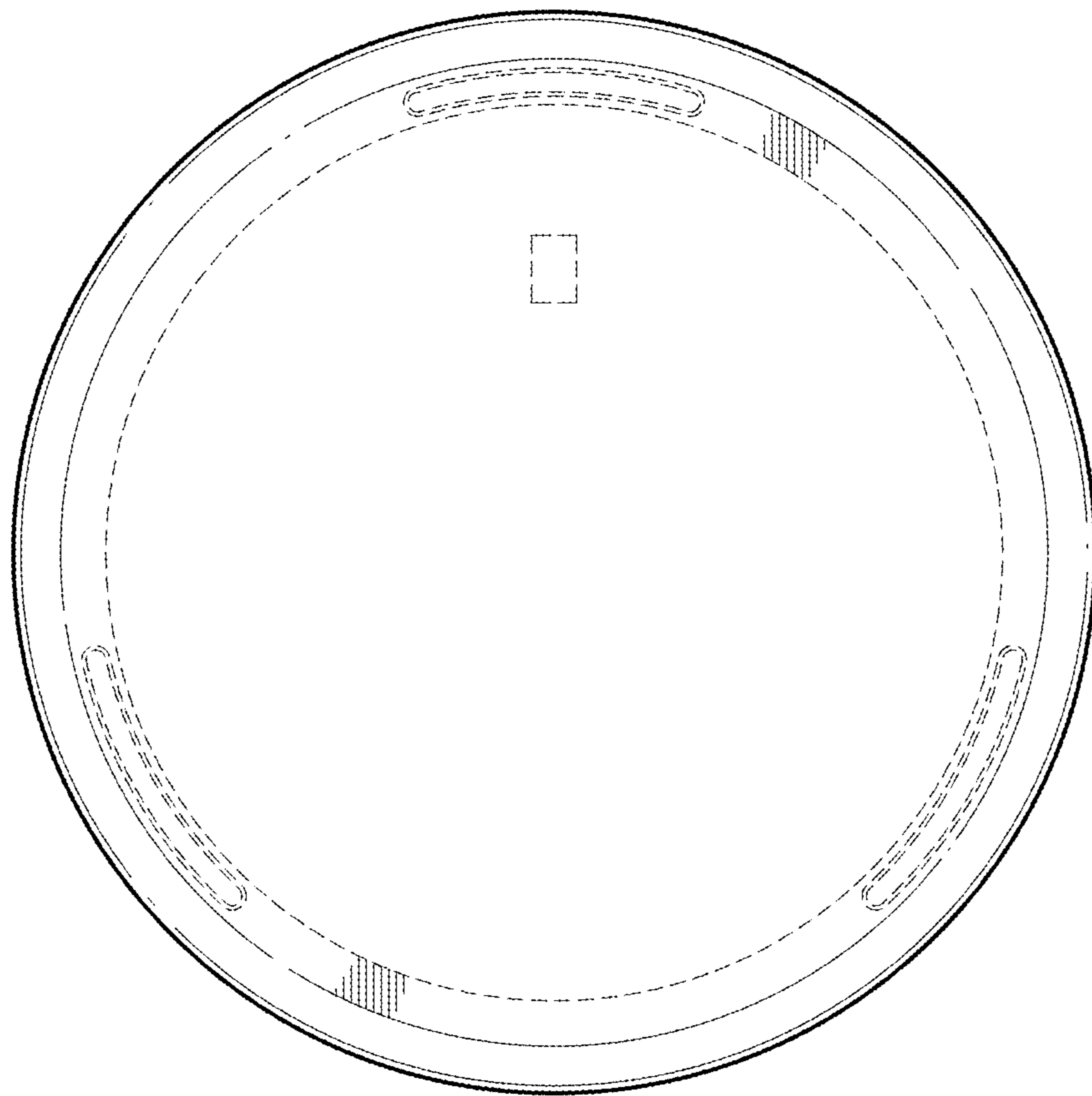
**FIG. 2**



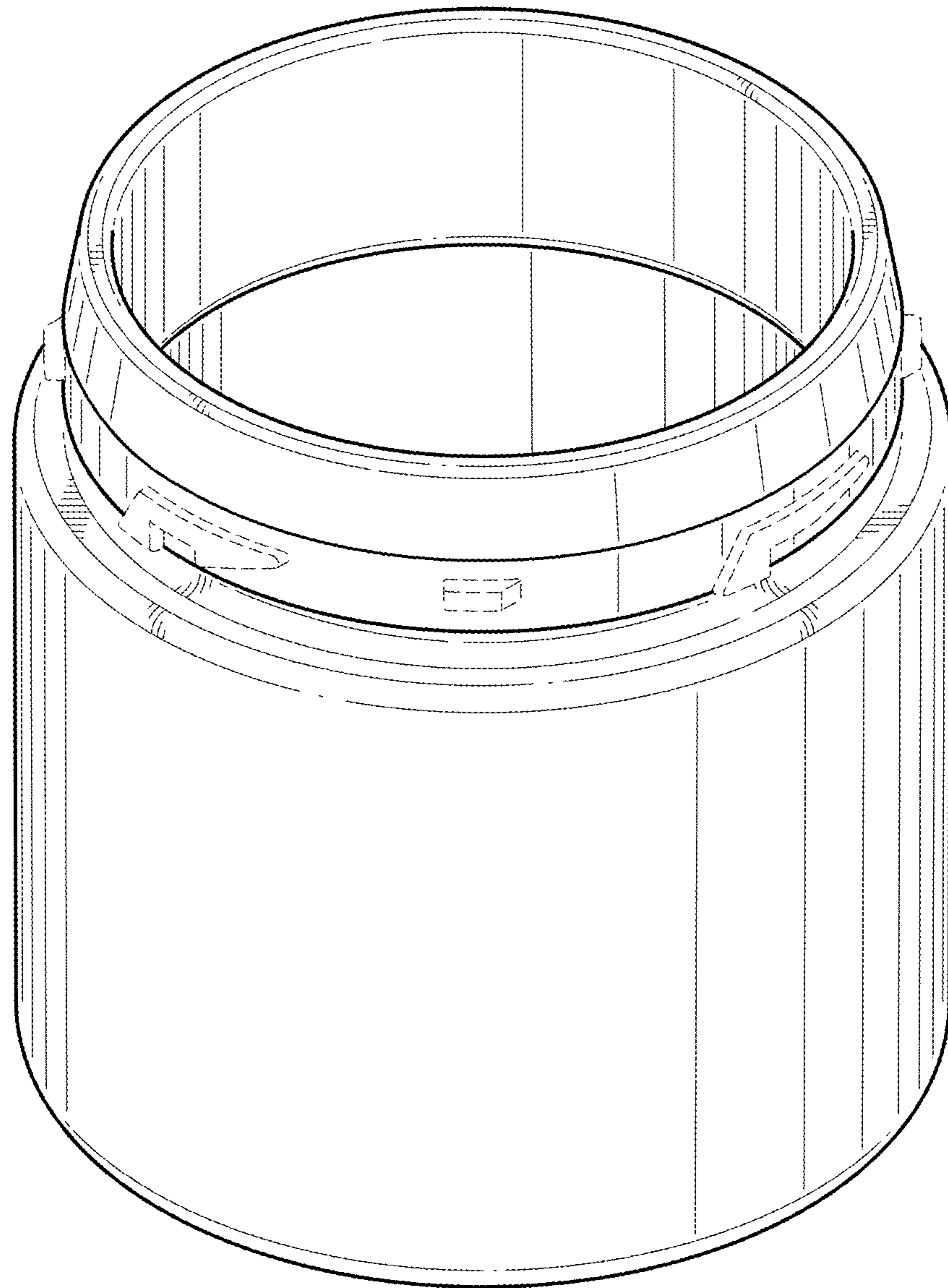
**FIG. 3**



**FIG. 4**

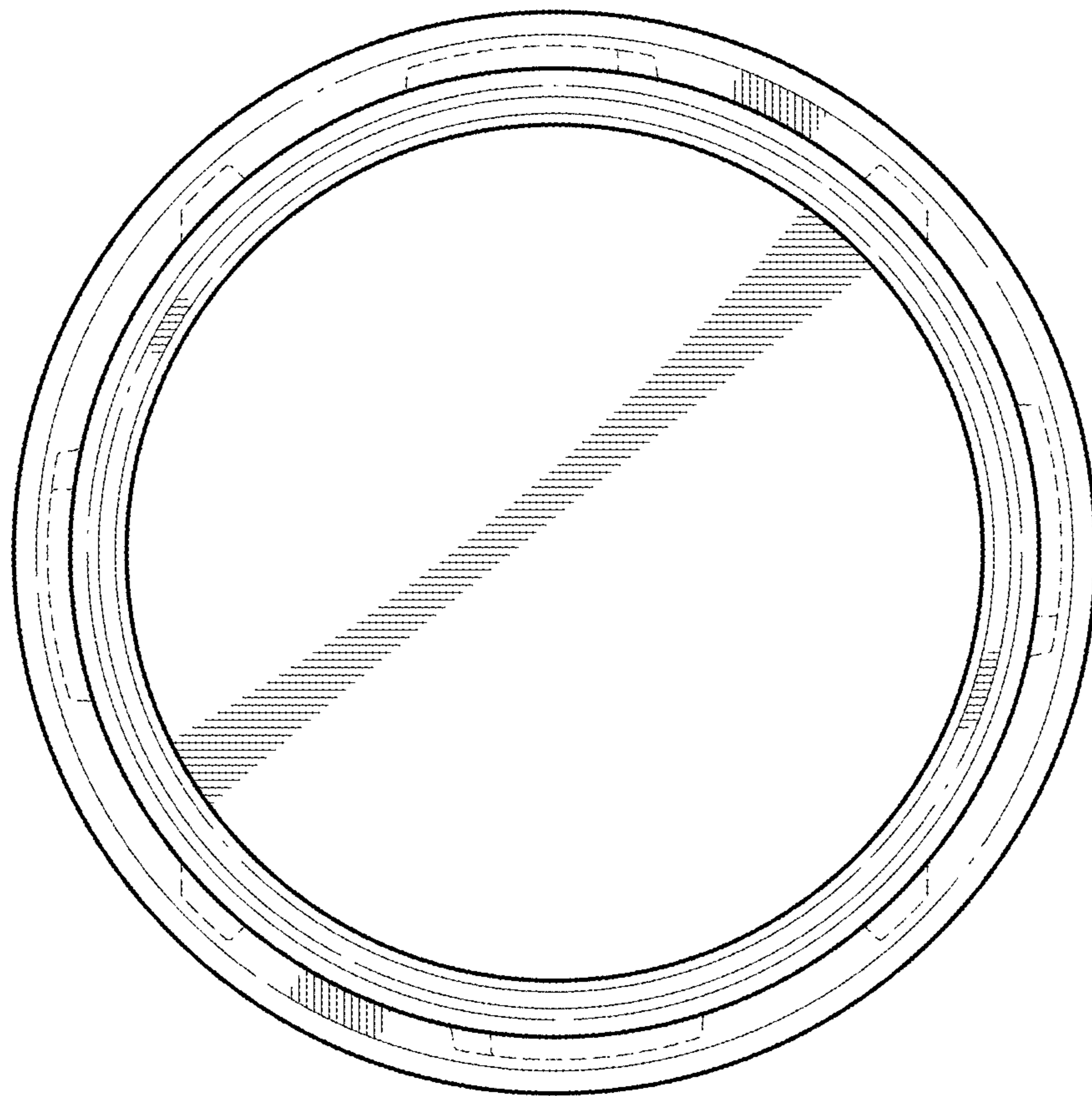


**FIG. 5**

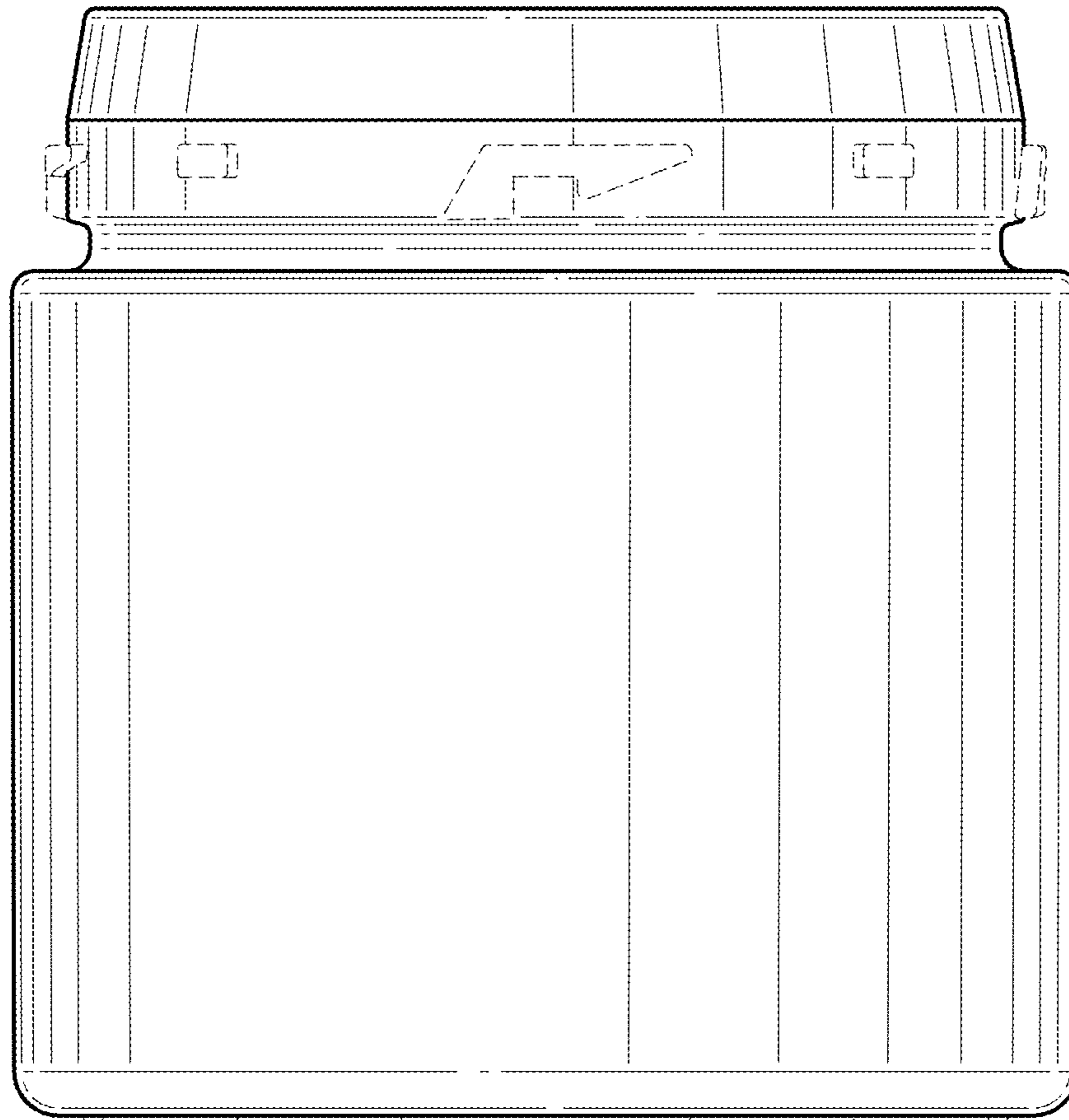


**FIG. 6**

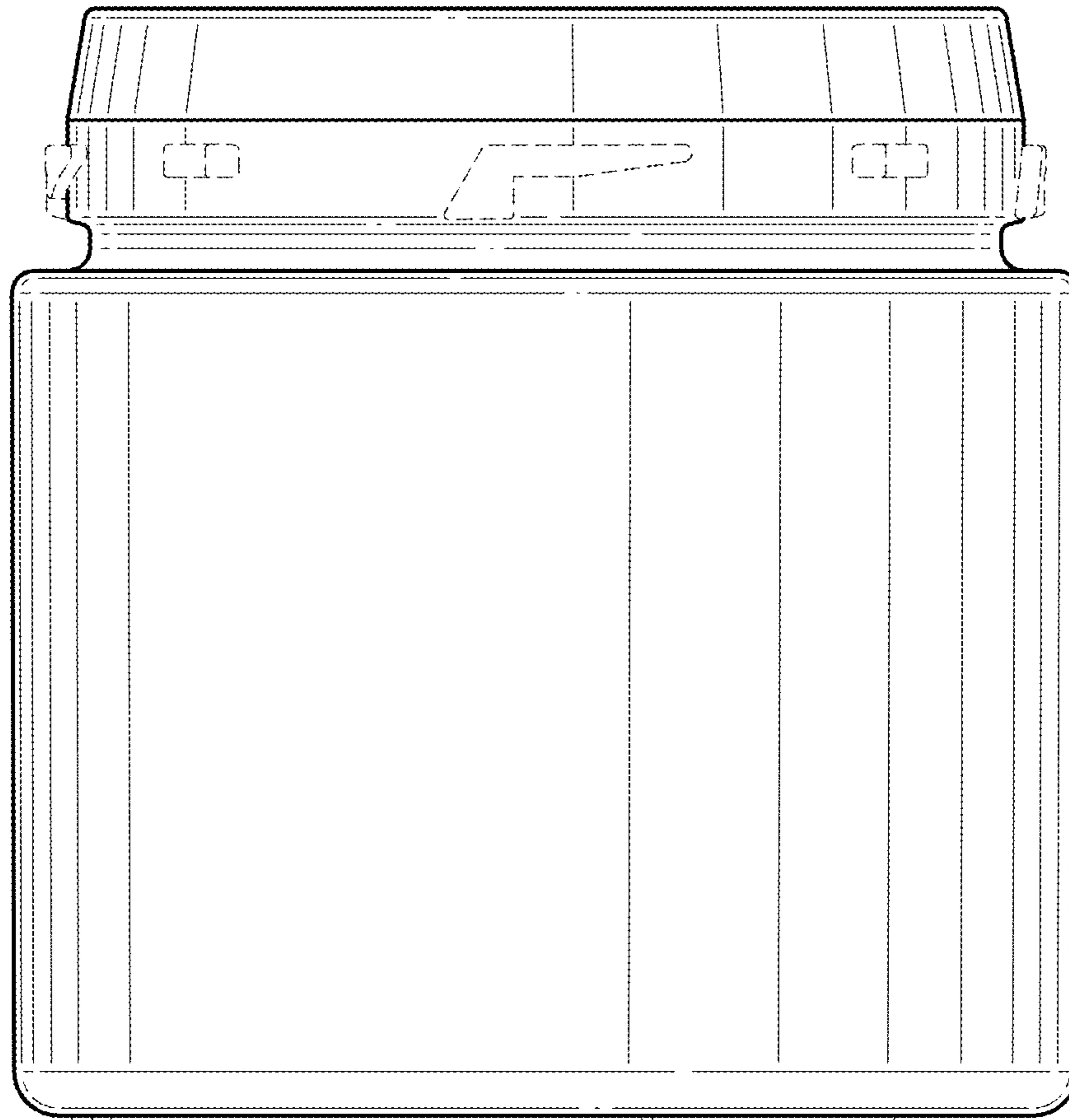




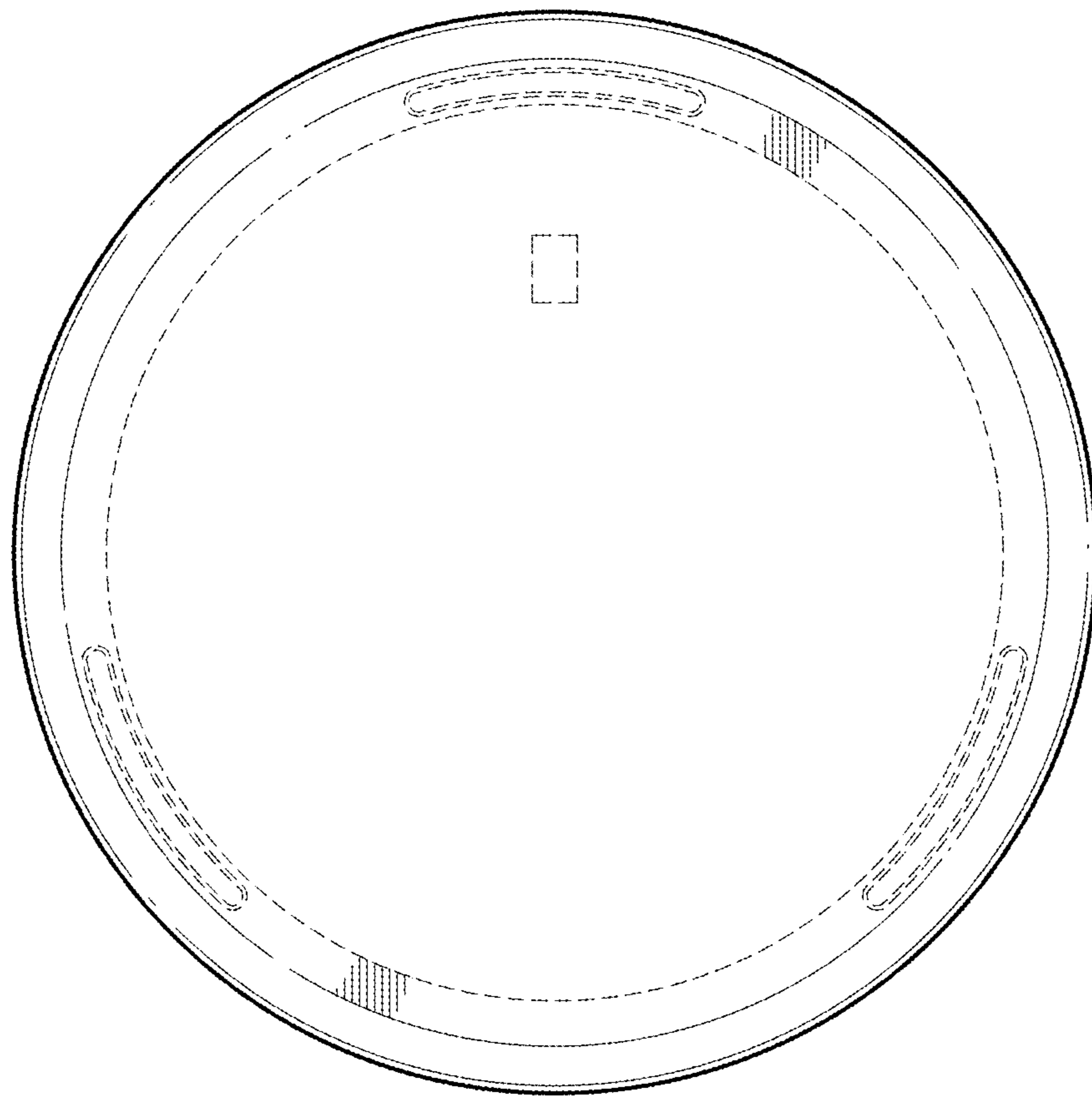
**FIG. 7**



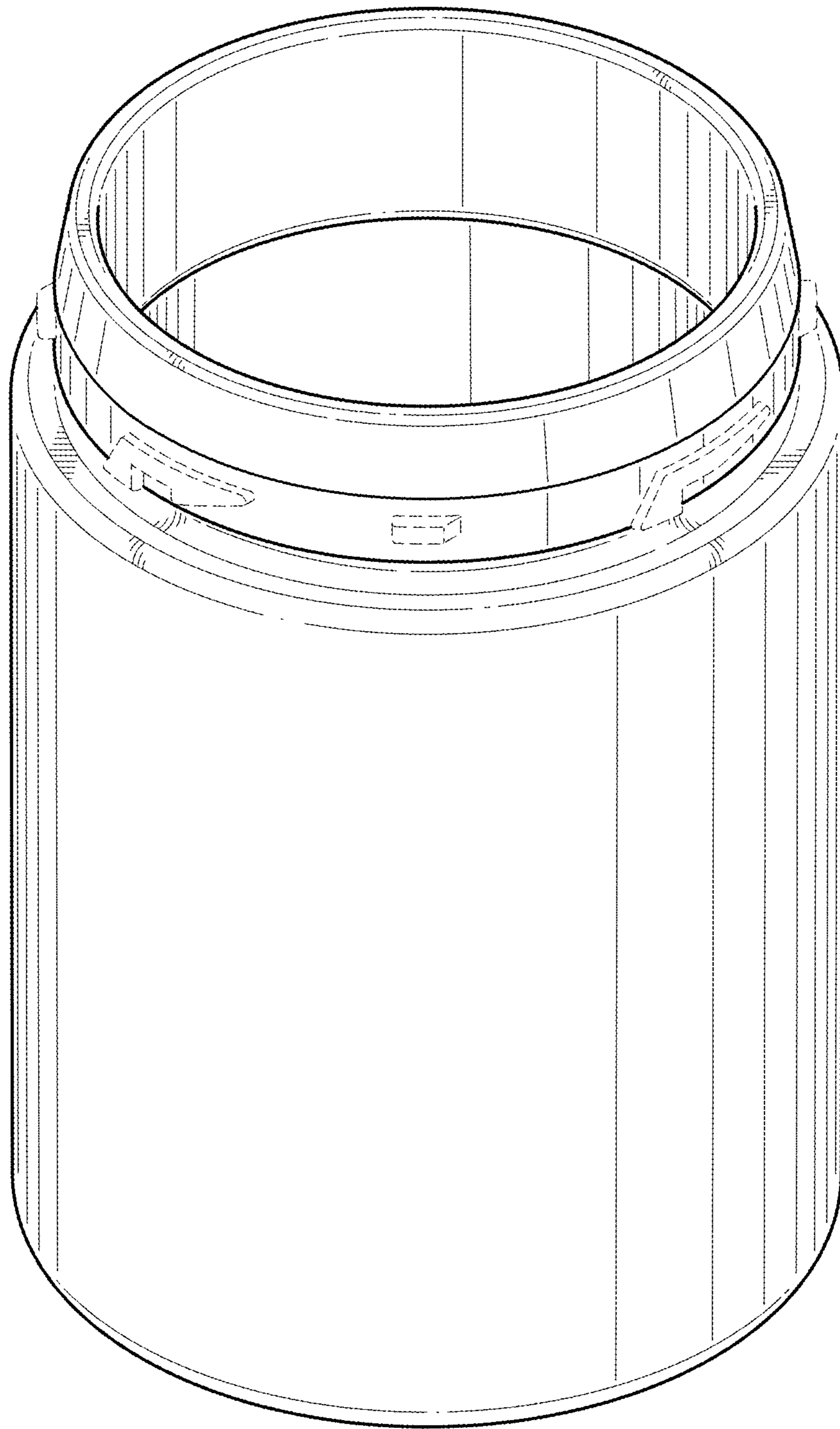
**FIG. 8**



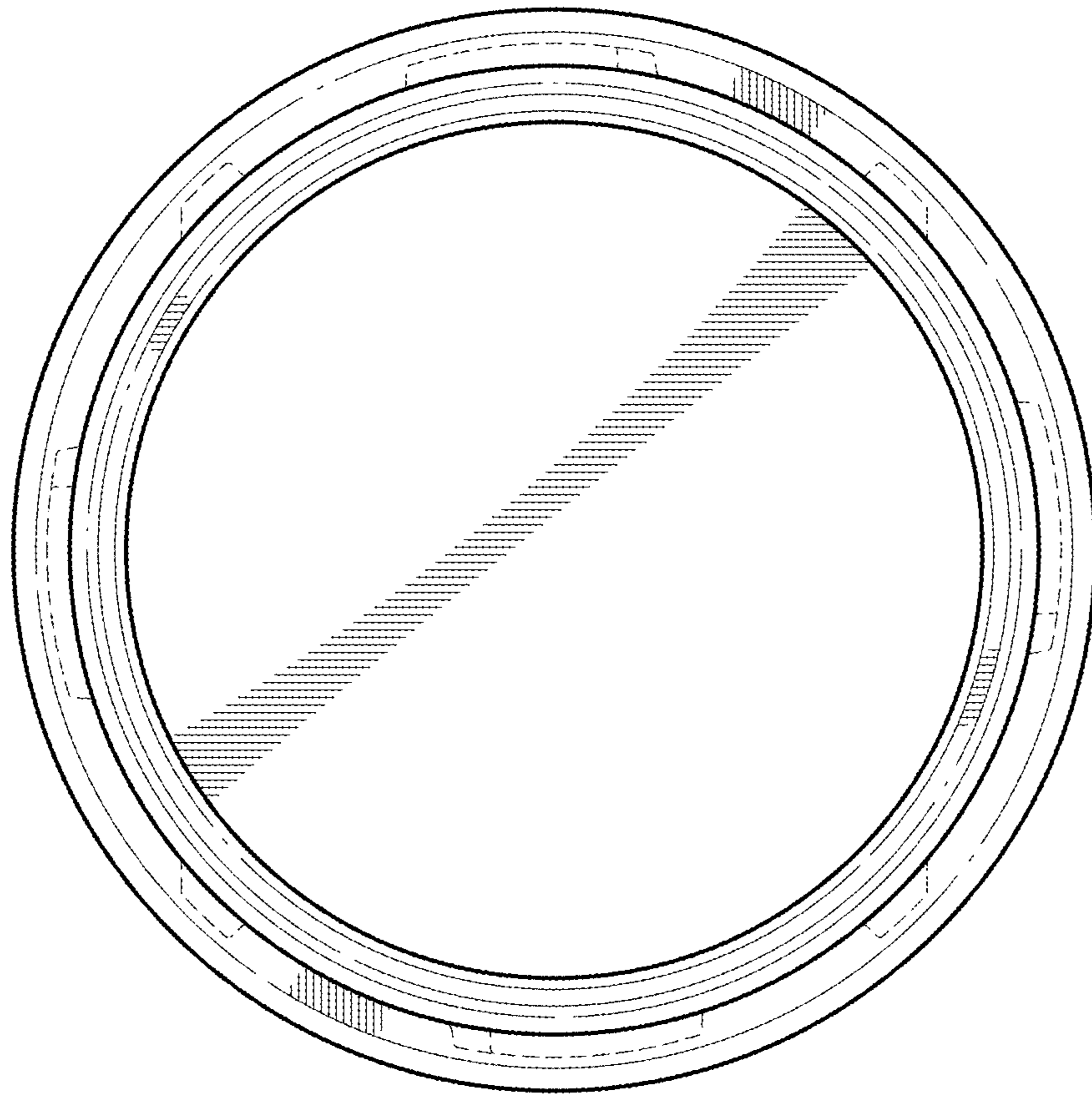
**FIG. 9**



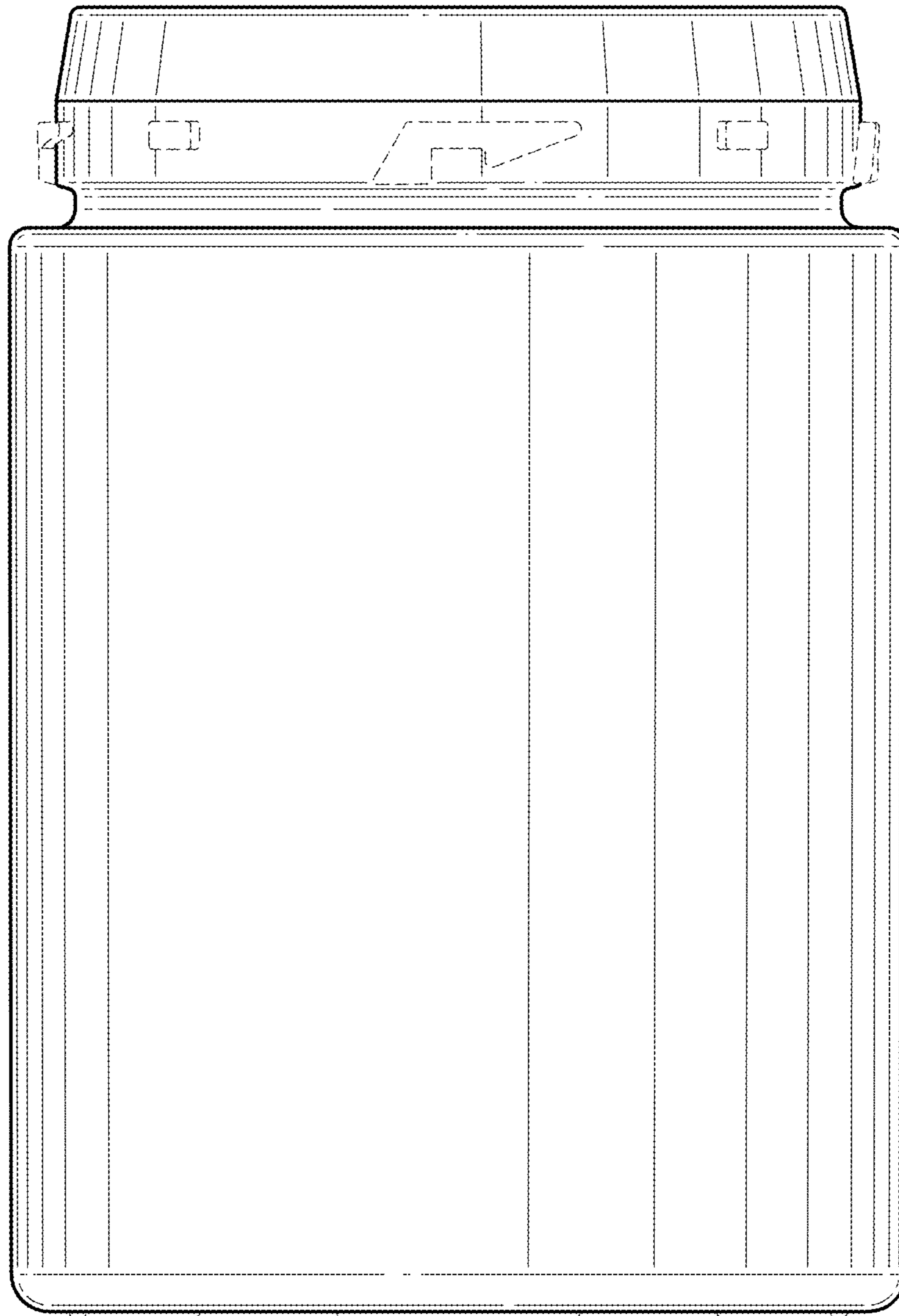
**FIG. 10**



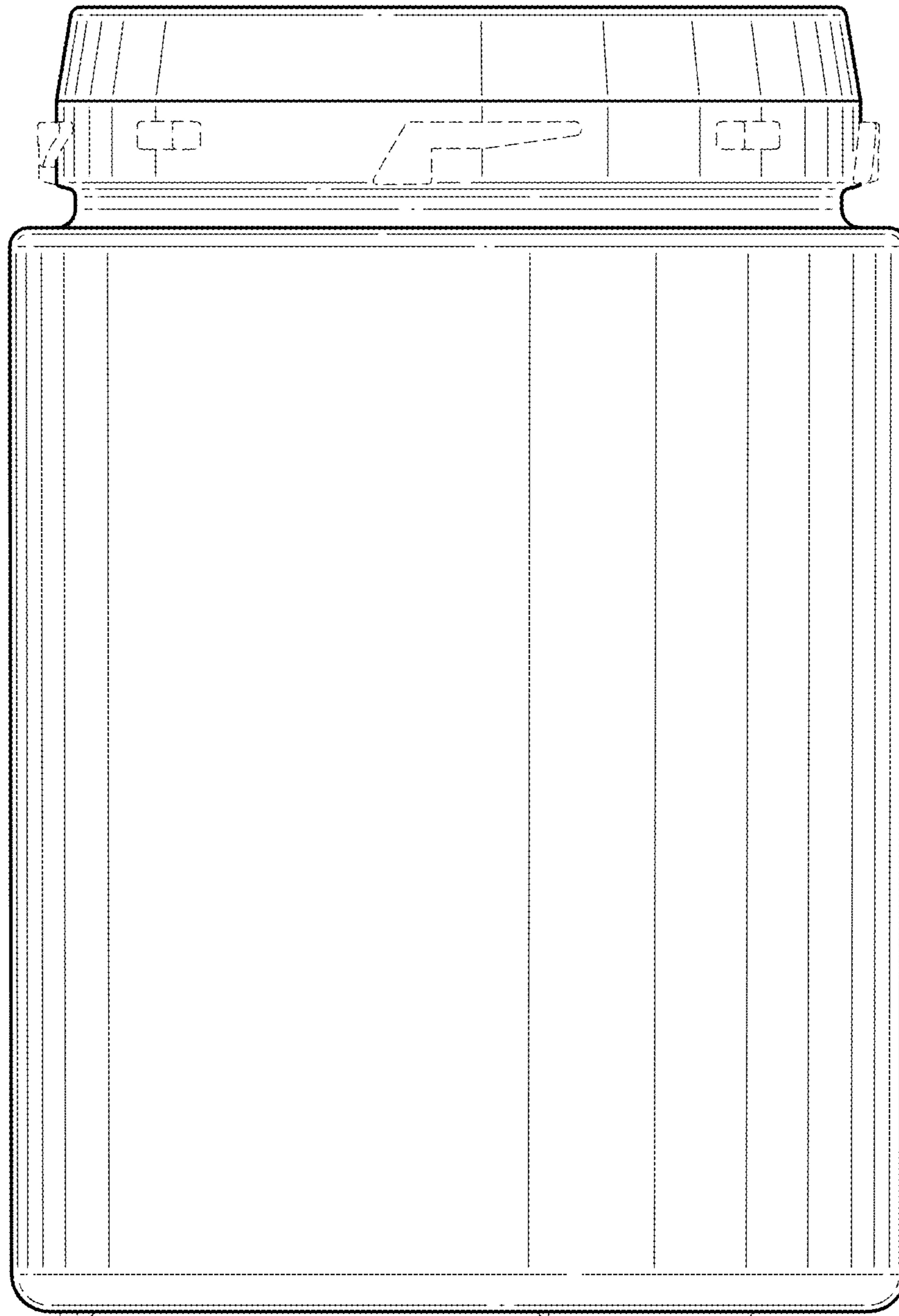
**FIG. 11**



**FIG. 12**

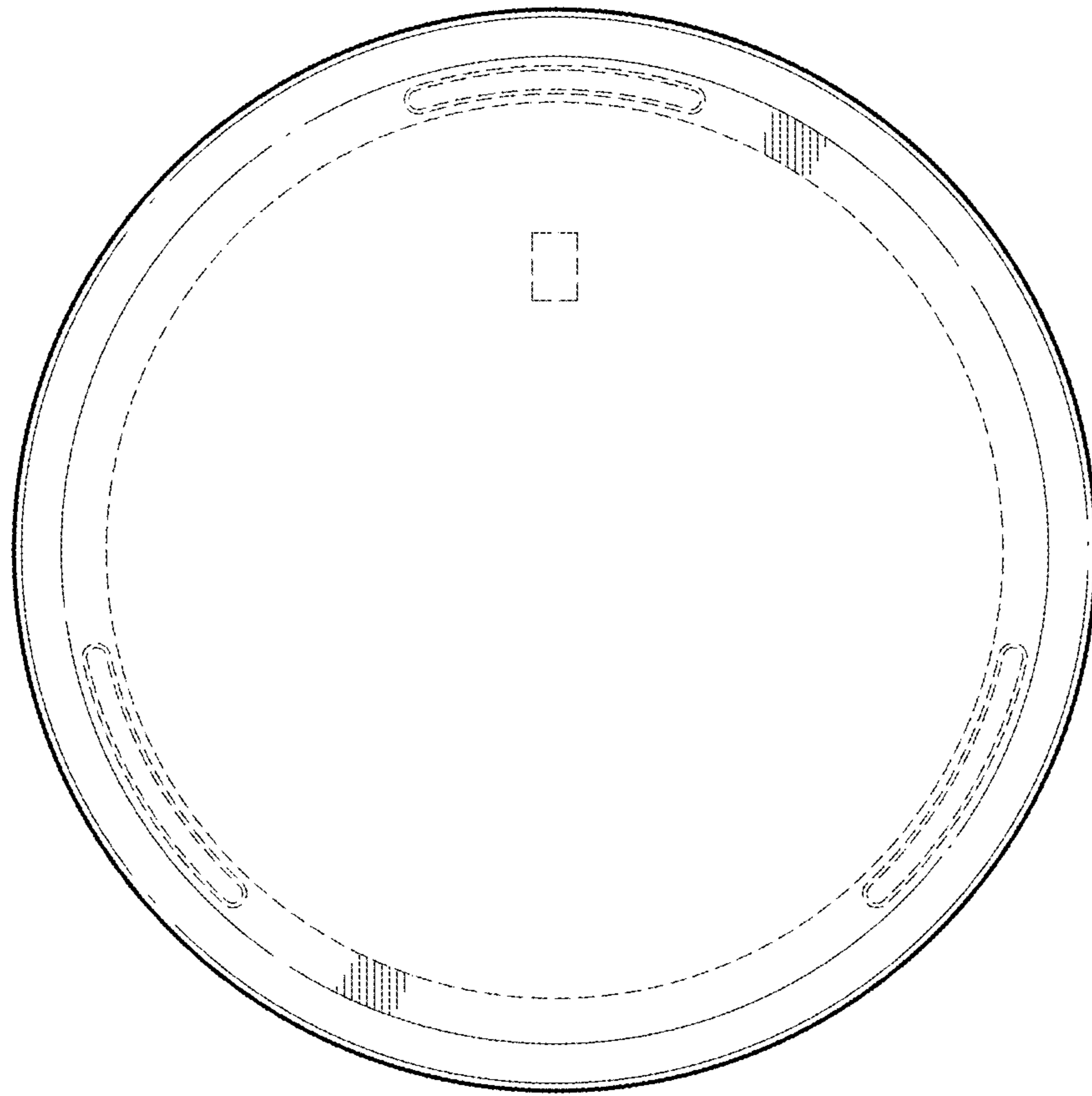


**FIG. 13**



**FIG. 14**





**FIG. 15**