



US00D937672S

(12) **United States Design Patent** (10) **Patent No.:** **US D937,672 S**
Bontrager et al. (45) **Date of Patent:** **** Dec. 7, 2021**

(54) **FOOD CONTAINER**

D680,860 S 4/2013 Schuler
D683,623 S * 6/2013 Chen D9/426
9,216,849 B2 12/2015 Pham
9,580,219 B2 * 2/2017 Cimmerer B65D 43/16

(71) Applicant: **Zume, Inc.**, Camarillo, CA (US)

(72) Inventors: **Rick Bontrager**, Mountain View, CA (US); **Randall Strange**, Manteca, CA (US)

(Continued)

FOREIGN PATENT DOCUMENTS

(73) Assignee: **ZUME, INC.**, Camarillo, CA (US)

EP 1500607 1/2005
EP 2147873 1/2010

(**) Term: **15 Years**

(Continued)

(21) Appl. No.: **29/725,144**

OTHER PUBLICATIONS

(22) Filed: **Feb. 21, 2020**

PCT International Search Report and Written Opinion in International Application PCT/US2020/056658, dated Feb. 23, 2021, 16 pages.

(51) **LOC (13) Cl.** **09-03**

(Continued)

(52) **U.S. Cl.**
USPC **D9/425**

(58) **Field of Classification Search**
USPC D7/601, 602; D9/420, 425-432, 737, D9/761

Primary Examiner — Janice Patyk
(74) *Attorney, Agent, or Firm* — Merchant & Gould PC

CPC ... B65D 1/00; B65D 1/26; B65D 1/34; B65D 1/40; B65D 11/00; B65D 11/20; B65D 21/00; B65D 21/02; B65D 21/0209; B65D 21/0233; B65D 81/34; B65D 81/3446; B65D 81/3453; B65D 2581/34; B65D 2581/3404; B65D 2581/3409

(57) **CLAIM**

The ornamental design for a food container, as shown and described.

See application file for complete search history.

DESCRIPTION

(56) **References Cited**

FIG. 1 is a top perspective view of a food container, showing our new design.

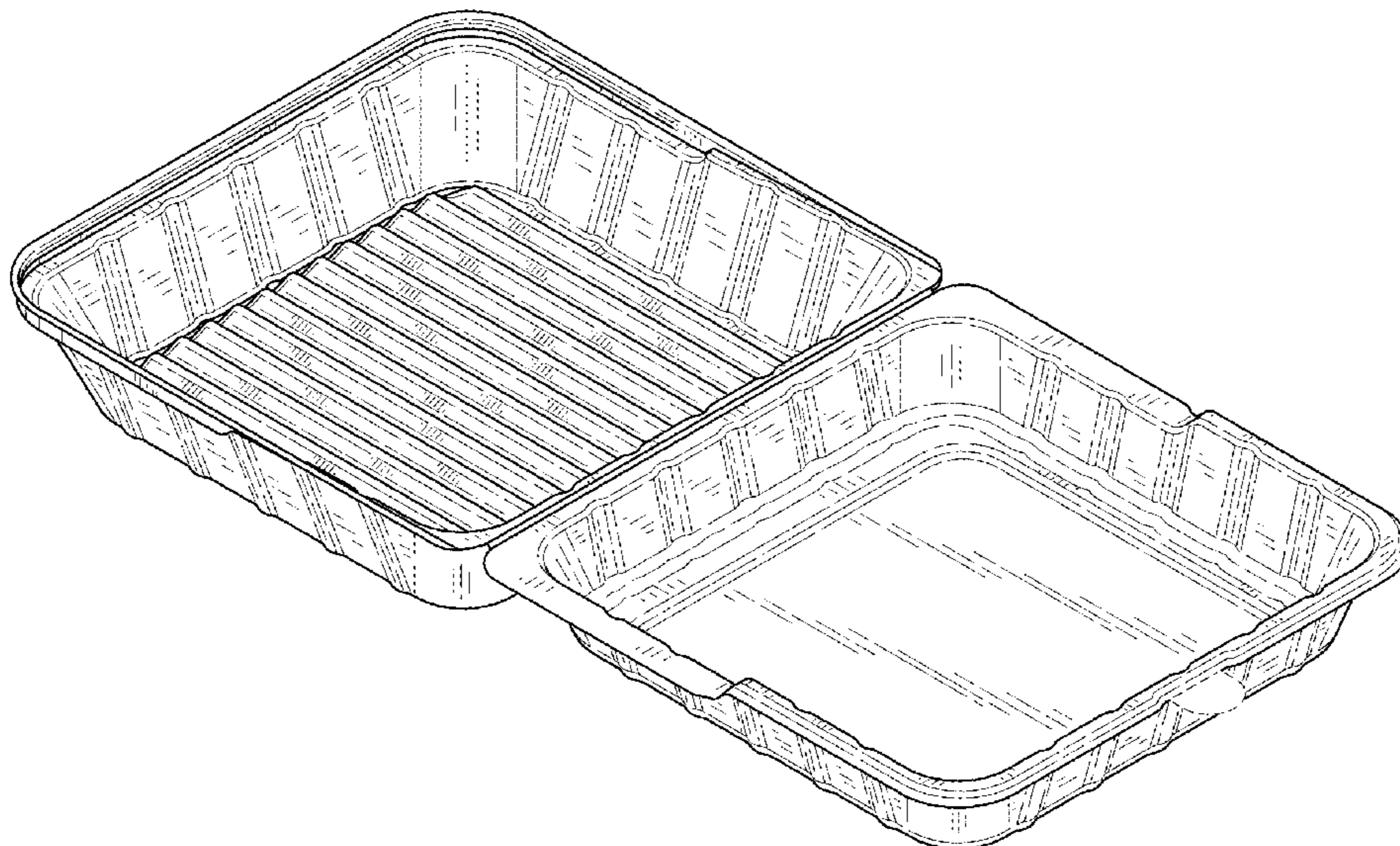
U.S. PATENT DOCUMENTS

FIG. 2 is a bottom perspective view of the food container of FIG. 1.

3,851,789 A 12/1974 Case et al.
D524,645 S * 7/2006 LaMasney D9/429
D536,992 S 2/2007 Garg
7,597,206 B2 * 10/2009 Atkins B65D 1/36
220/324
D625,995 S * 10/2010 Vovan D9/429
D657,237 S 4/2012 Allers
D664,841 S 8/2012 Allers
D668,536 S * 10/2012 Sanfilippo D9/425
D668,537 S 10/2012 Sanfilippo
D668,950 S 10/2012 Sanfilippo

FIG. 3 is a front view of the food container of FIG. 1.
FIG. 4 is a back view of the food container of FIG. 1.
FIG. 5 is a right side view of the food container of FIG. 1.
FIG. 6 is a left side view of the food container of FIG. 1.
FIG. 7 is a top view of the food container of FIG. 1; and, FIG. 8 is a bottom view of the food container of FIG. 1.
The broken lines depict portions of the food container that form no part of the claimed design.

1 Claim, 8 Drawing Sheets



(56)

References Cited

OTHER PUBLICATIONS

U.S. PATENT DOCUMENTS

D793,811 S * 8/2017 Ng D7/540
10,036,126 B2 7/2018 Chung
D886,595 S 6/2020 Wouters
D900,639 S 11/2020 Huang
D910,436 S 2/2021 Krueger
D924,678 S 7/2021 Huang
2005/0035118 A1 2/2005 Garg
2005/0061810 A1 3/2005 Norland
2006/0081641 A1 4/2006 Habeger
2010/0072217 A1 3/2010 Parikh
2010/0102074 A1* 4/2010 Parikh B65D 41/32
220/810
2012/0031921 A1* 2/2012 Cadiente B65D 43/162
220/835
2020/0399017 A1 12/2020 Mueller
2020/0399018 A1 12/2020 Mueller
2021/0114779 A1 4/2021 Bontrager

FOREIGN PATENT DOCUMENTS

EP 3502003 6/2019
WO 2018/212593 11/2018
WO 2021/045195 3/2021

U.S. Appl. No. 29/725,182, Office Action dated Apr. 5, 2021, 6 pages.
U.S. Appl. No. 29/725,183, Notice of Allowance dated Apr. 8, 2021, 10 pages.
U.S. Appl. No. 29/725,185, Office Action dated Apr. 5, 2021, 7 pages.
U.S. Appl. No. 29/725,186, Ex-Parte Quayle Action mailed Apr. 5, 2021, 6 pages.
U.S. Appl. No. 29/725,146, Notice of Allowance dated Apr. 12, 2021, 8 pages.
U.S. Appl. No. 29/725,147, Notice of Allowance dated Apr. 12, 2021, 8 pages.
U.S. Appl. No. 29/725,148, Notice of Allowance dated Apr. 12, 2021, 8 pages.
U.S. Appl. No. 29/725,148, Notice of Allowance dated Aug. 3, 2021, 7 pages.

* cited by examiner

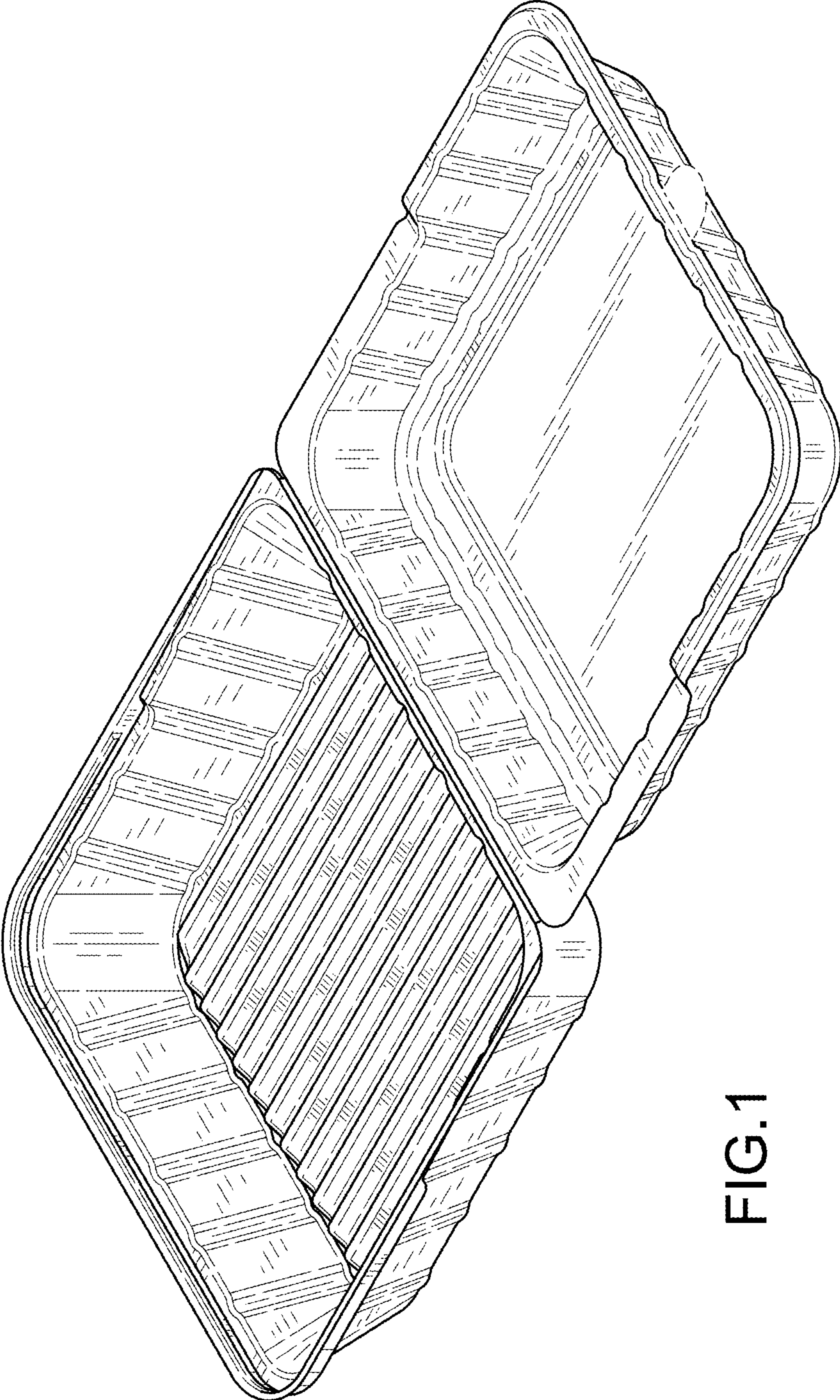


FIG.1

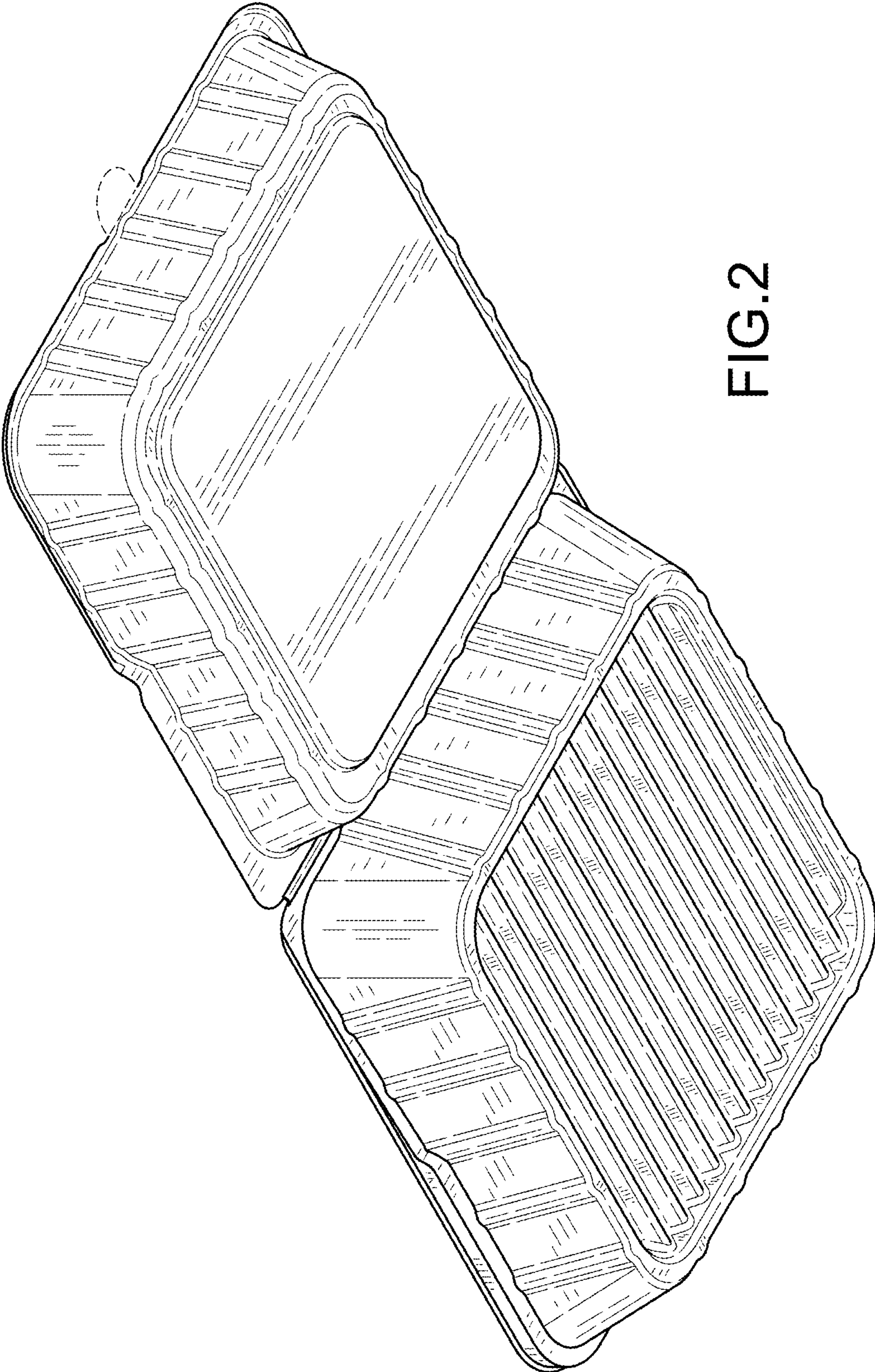


FIG.2

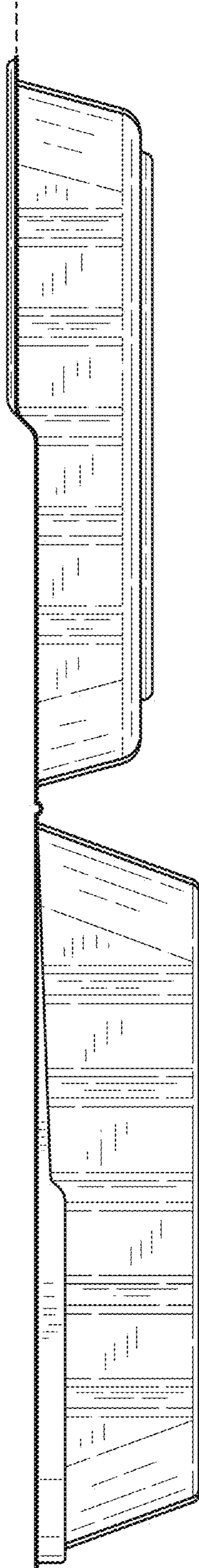


FIG.3

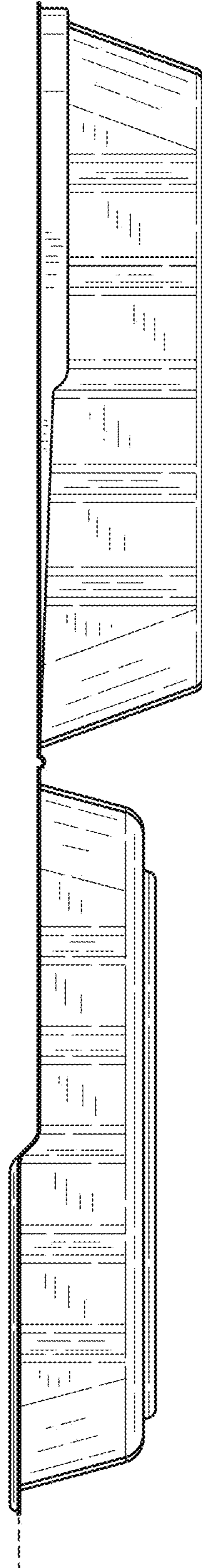


FIG.4

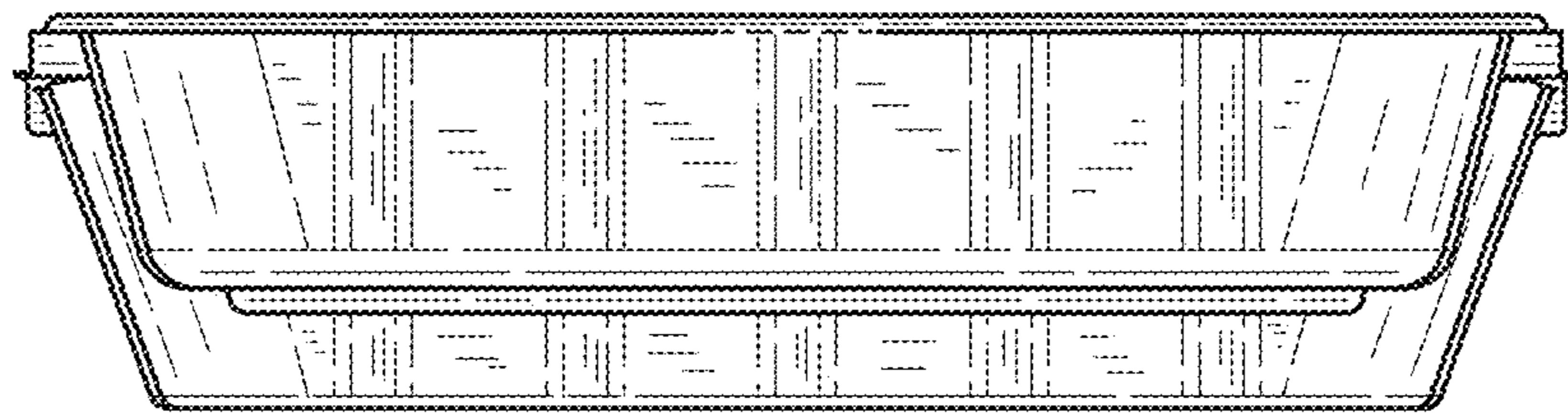


FIG.5

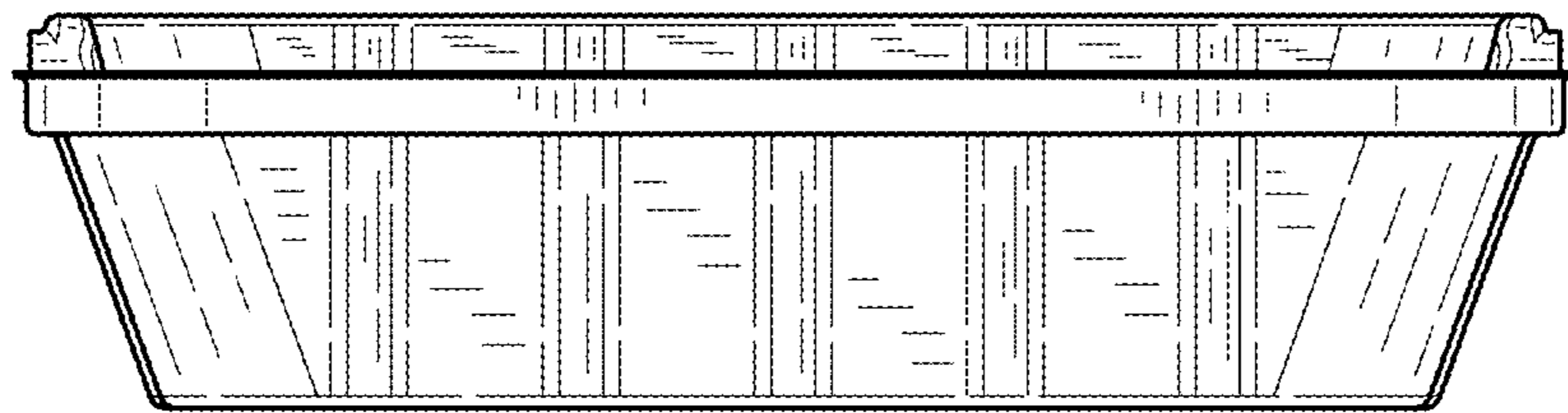


FIG.6

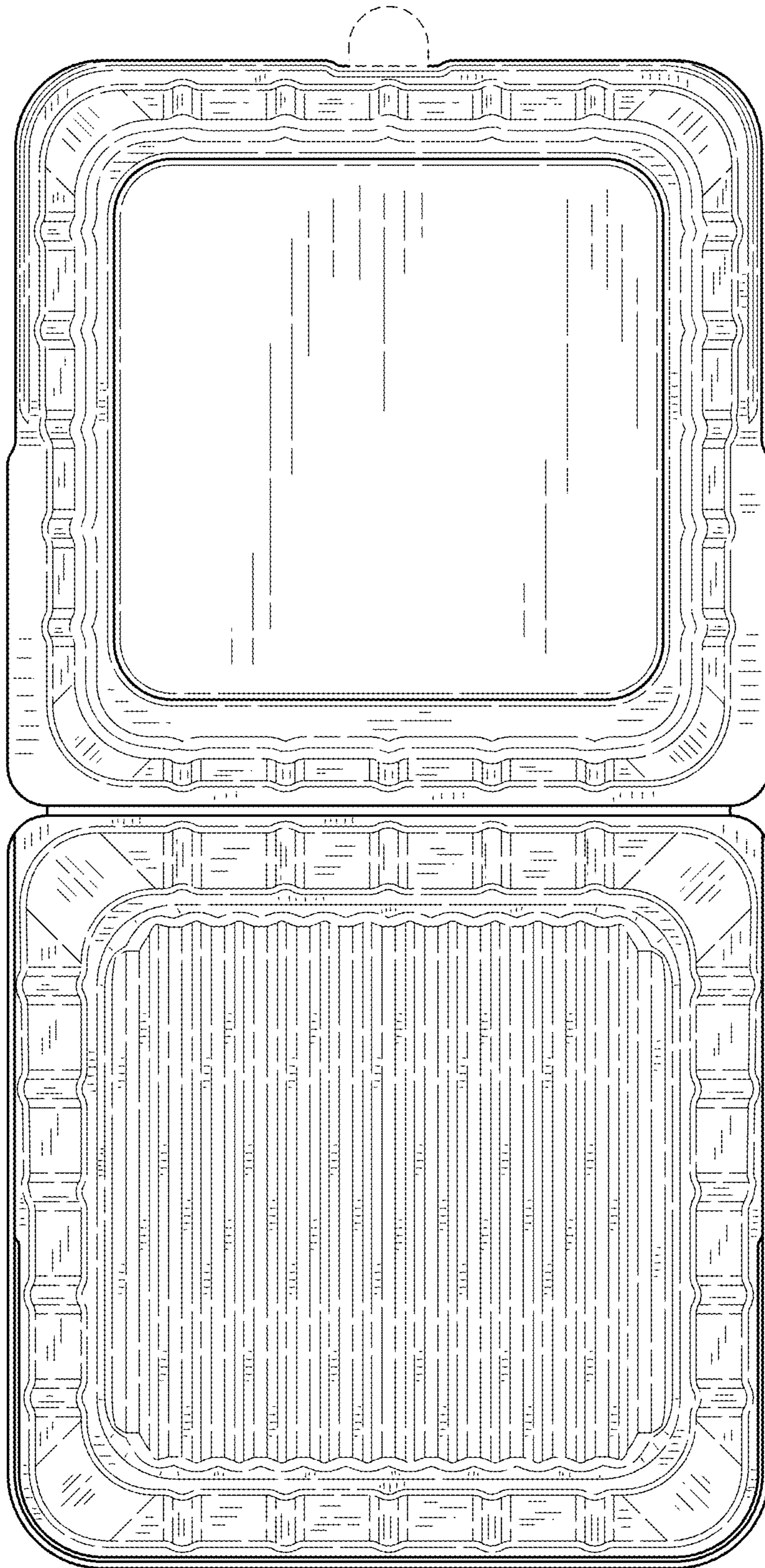


FIG.7

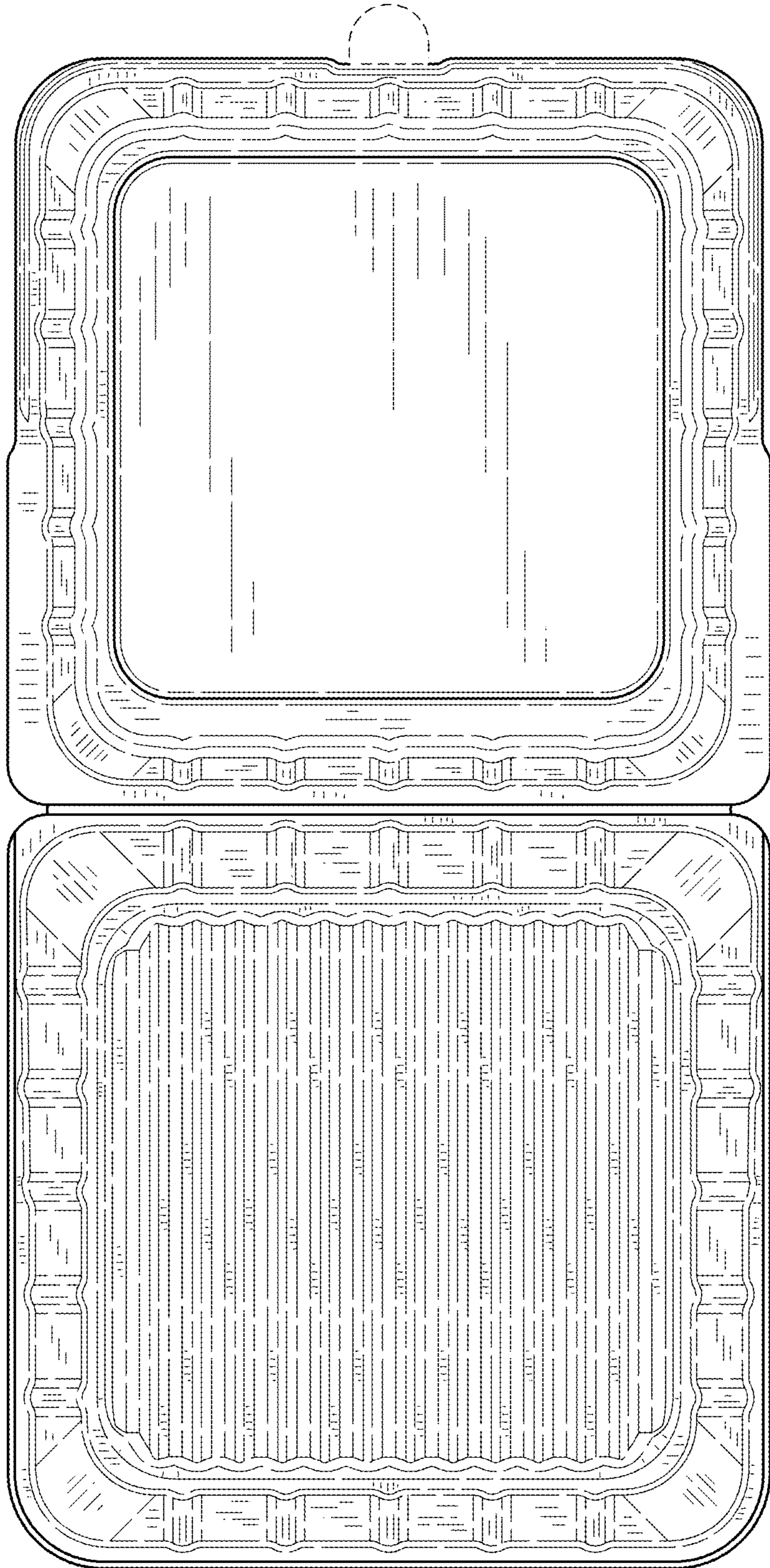


FIG. 8