



US00D937671S

(12) **United States Design Patent**
Siegel

(10) **Patent No.:** **US D937,671 S**
(45) **Date of Patent:** **** Dec. 7, 2021**

- (54) **CONTAINER**
- (71) Applicant: **The Tin Box Company of America, Inc.**, Farmingdale, NY (US)
- (72) Inventor: **Andrew Siegel**, Merrick, NY (US)
- (73) Assignee: **The Tin Box Company of America, Inc.**, Farmingdale, NY (US)
- (**) Term: **15 Years**
- (21) Appl. No.: **29/689,330**
- (22) Filed: **Apr. 29, 2019**
- (51) **LOC (13) Cl.** **09-03**
- (52) **U.S. Cl.**
USPC **D9/418**
- (58) **Field of Classification Search**
USPC D9/414-420, 721, 529; D3/203, 299, D3/289, 232, 203.6, 285, 294, 276, 282; D16/218; D6/672; D7/709, 605; D15/79; D24/188
CPC A45C 13/005; A45C 11/20; A45C 13/22; A45C 3/001; B65D 43/164; B65D 1/24; B65D 81/38; B29C 49/0031; A61J 15/0026; A45F 3/005; A01K 1/0236
See application file for complete search history.

- 4,216,862 A * 8/1980 Daenen A45C 13/005
206/541
- D259,167 S * 5/1981 Daenen D7/709
- D263,015 S * 2/1982 Loncasty D7/709
- 4,615,464 A * 10/1986 Byrns B29C 49/0031
16/341
- 4,733,549 A * 3/1988 Baker A45C 13/22
190/101
- D307,853 S * 5/1990 Tyberg D7/709
- 5,096,084 A * 3/1992 Wells B65D 43/164
220/326
- D328,015 S * 7/1992 Hall D7/605
- 5,163,578 A * 11/1992 Eitreim B65D 1/24
190/109
- 5,396,999 A * 3/1995 Sandheinrich A45C 11/20
206/541
- D368,371 S * 4/1996 Calmeise D3/276
- D376,738 S * 12/1996 Wang D7/709

(Continued)

Primary Examiner — Rhea Shields
(74) *Attorney, Agent, or Firm* — Greenberg Traurig, LLP

(57) **CLAIM**

The ornamental design for a container, as shown and described.

DESCRIPTION

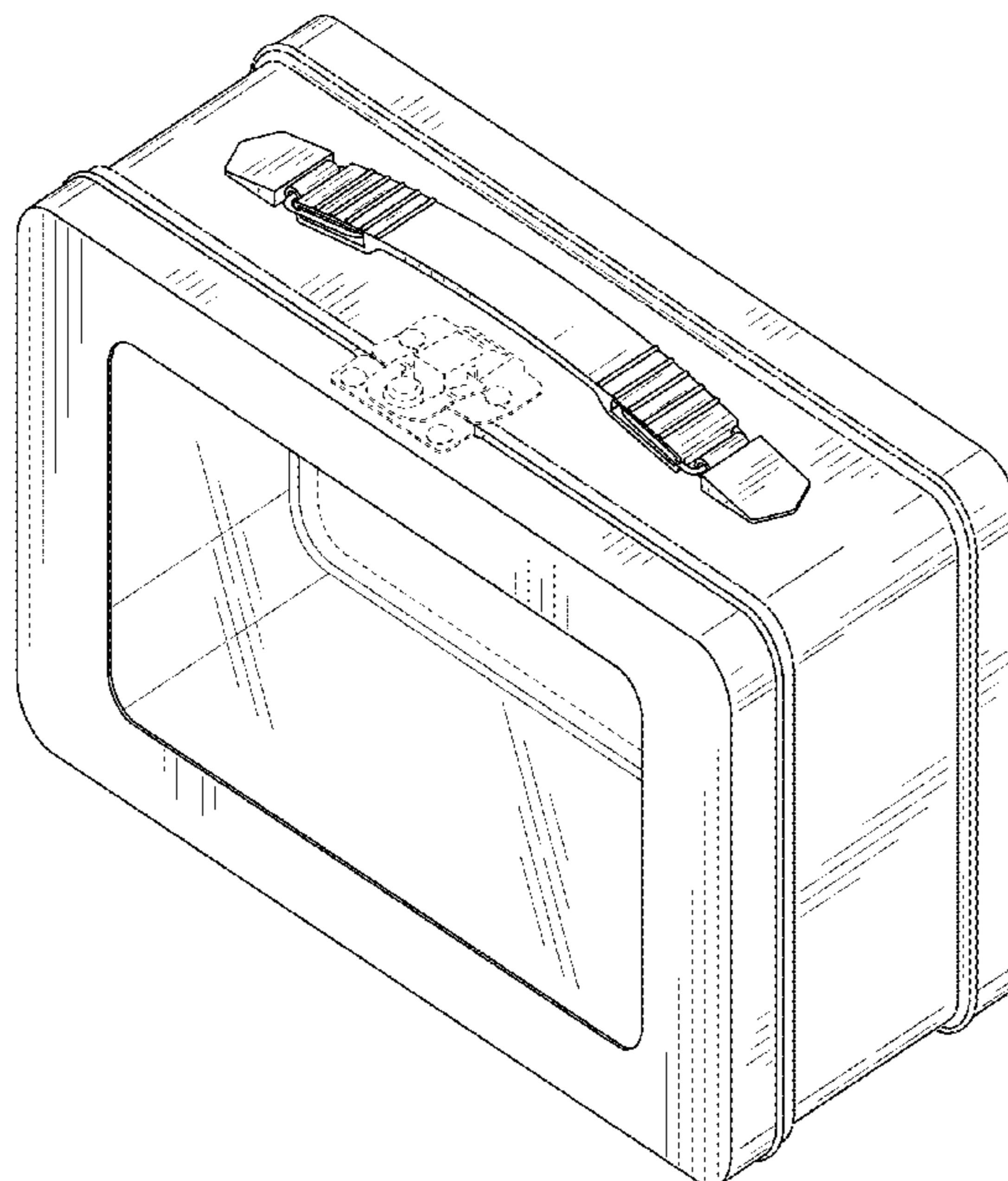
FIG. 1 is a perspective view of a container showing my new design;
FIG. 2 is a front view of the container shown in FIG. 1;
FIG. 3 is a rear view of the container shown in FIG. 1;
FIG. 4 is a left side view of the container shown in FIG. 1;
FIG. 5 is a right side view of the container shown in FIG. 1;
FIG. 6 is a top view of the container shown in FIG. 1; and,
FIG. 7 is a bottom view of the container shown in FIG. 1.
In the drawings, the broken lines are for the purpose of illustrating portions of the container that form no part of the claimed design.

1 Claim, 4 Drawing Sheets

(56) **References Cited**

U.S. PATENT DOCUMENTS

- D109,938 S * 5/1938 Lightfoot D7/709
- D112,729 S * 12/1938 Worthington D7/709
- 2,390,638 A * 12/1945 Busch A45C 11/20
206/543
- 2,487,220 A * 11/1949 Callaghan A45C 11/20
206/541
- 4,116,311 A * 9/1978 Davis A45C 3/001
190/126



(56)

References Cited

U.S. PATENT DOCUMENTS

D383,360 S * 9/1997 Melk D3/276
D408,143 S * 4/1999 Miller D3/282
D433,885 S * 11/2000 Daw D7/709
D480,209 S * 10/2003 Davis D3/276
D566,484 S * 4/2008 George D3/294
D568,733 S * 5/2008 DuBois D9/418
D592,075 S * 5/2009 Holcomb D9/721
D593,420 S * 6/2009 Augenbraun D9/529
D596,856 S * 7/2009 Udwin D3/289
D607,701 S * 1/2010 Pedrazzi D7/709
D634,929 S * 3/2011 Bizzell D3/276
8,043,004 B2 * 10/2011 Mogil B65D 81/38
383/38
8,430,284 B2 * 4/2013 Broadbent A45C 11/20
224/148.4
D684,771 S * 6/2013 Leblanc D3/289
D715,138 S * 10/2014 Akana D9/418
D730,648 S * 6/2015 Lentner D3/285
D731,792 S * 6/2015 Lentner D3/285
D734,075 S * 7/2015 Tapper D6/672
9,101,197 B2 * 8/2015 Folise A45F 3/005
D773,547 S * 12/2016 Lee D16/218
D775,523 S * 1/2017 Platt D9/418
D779,205 S * 2/2017 Lawrenson D3/299
D824,524 S * 7/2018 Johnson A61J 15/0026
D24/188
D838,971 S * 1/2019 Deanda D3/203.6
D853,716 S * 7/2019 Brophy D3/232
D862,528 S * 10/2019 Sullivan D15/79
D863,950 S * 10/2019 Chilton D9/418
10,433,522 B2 * 10/2019 Renforth A01K 1/0236
D871,207 S * 12/2019 Vandebos D9/418
D877,611 S * 3/2020 Kuzmann D9/418
D887,702 S * 6/2020 Lee D3/203.1
D890,581 S * 7/2020 Gonzalez D7/709

* cited by examiner

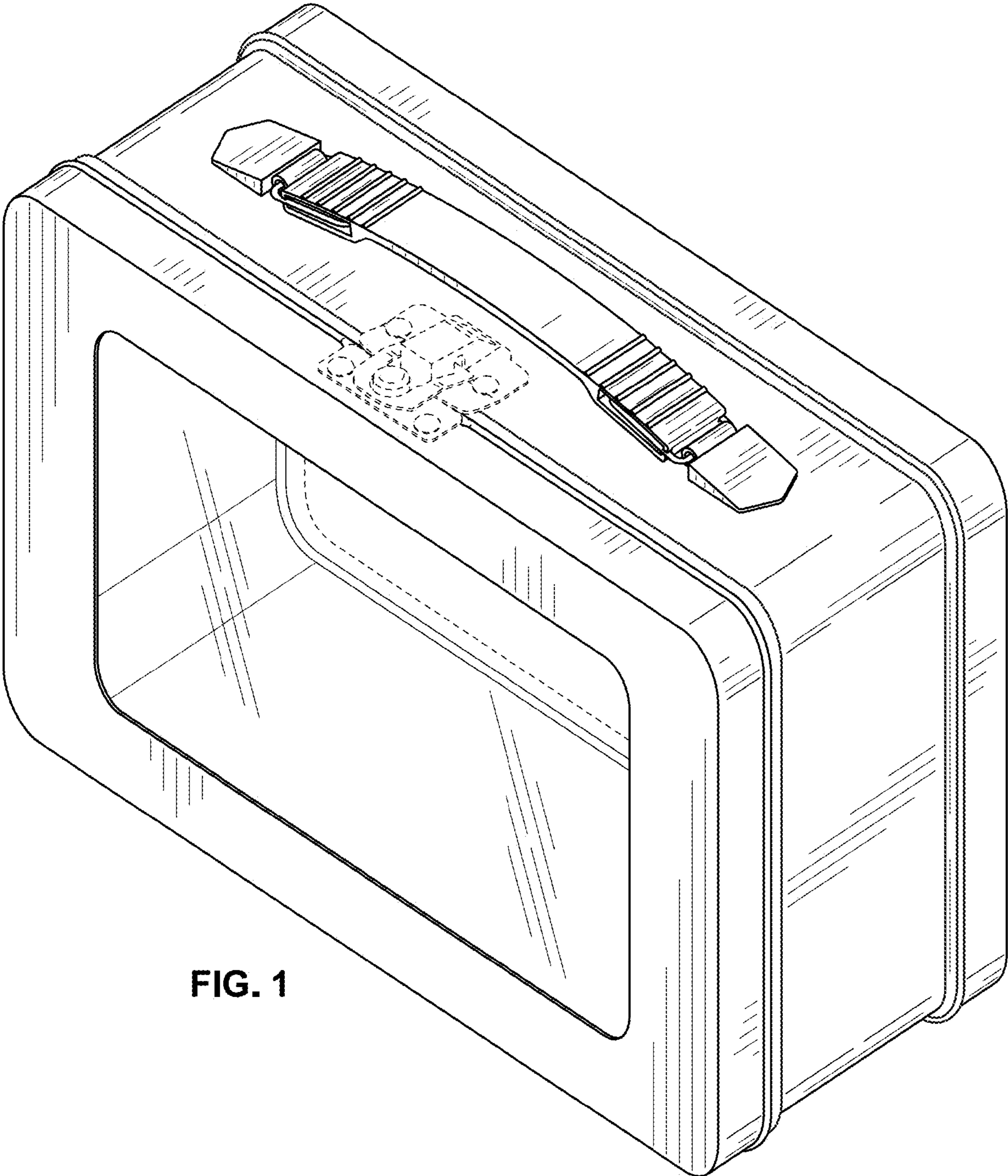


FIG. 1

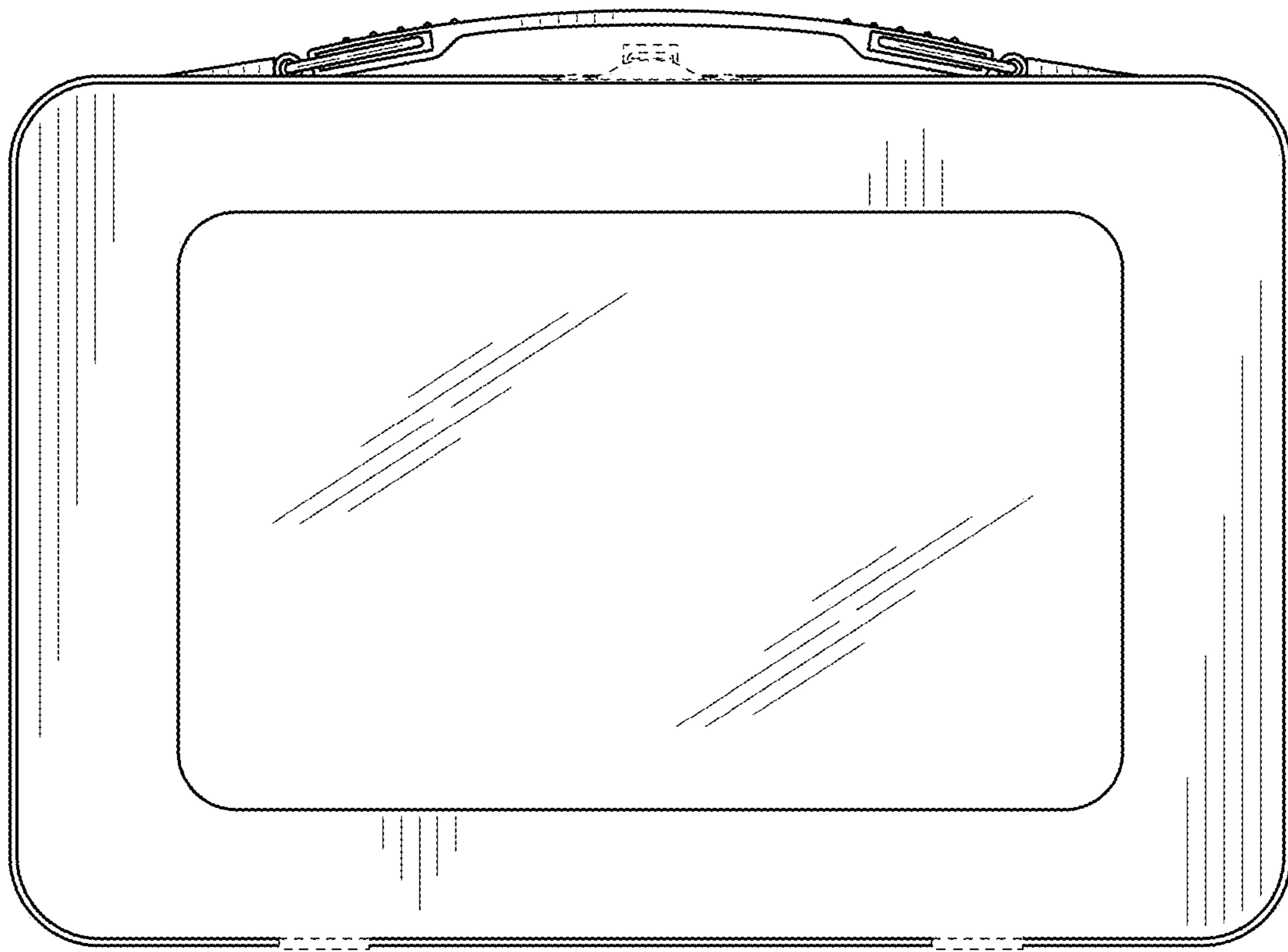


FIG. 2

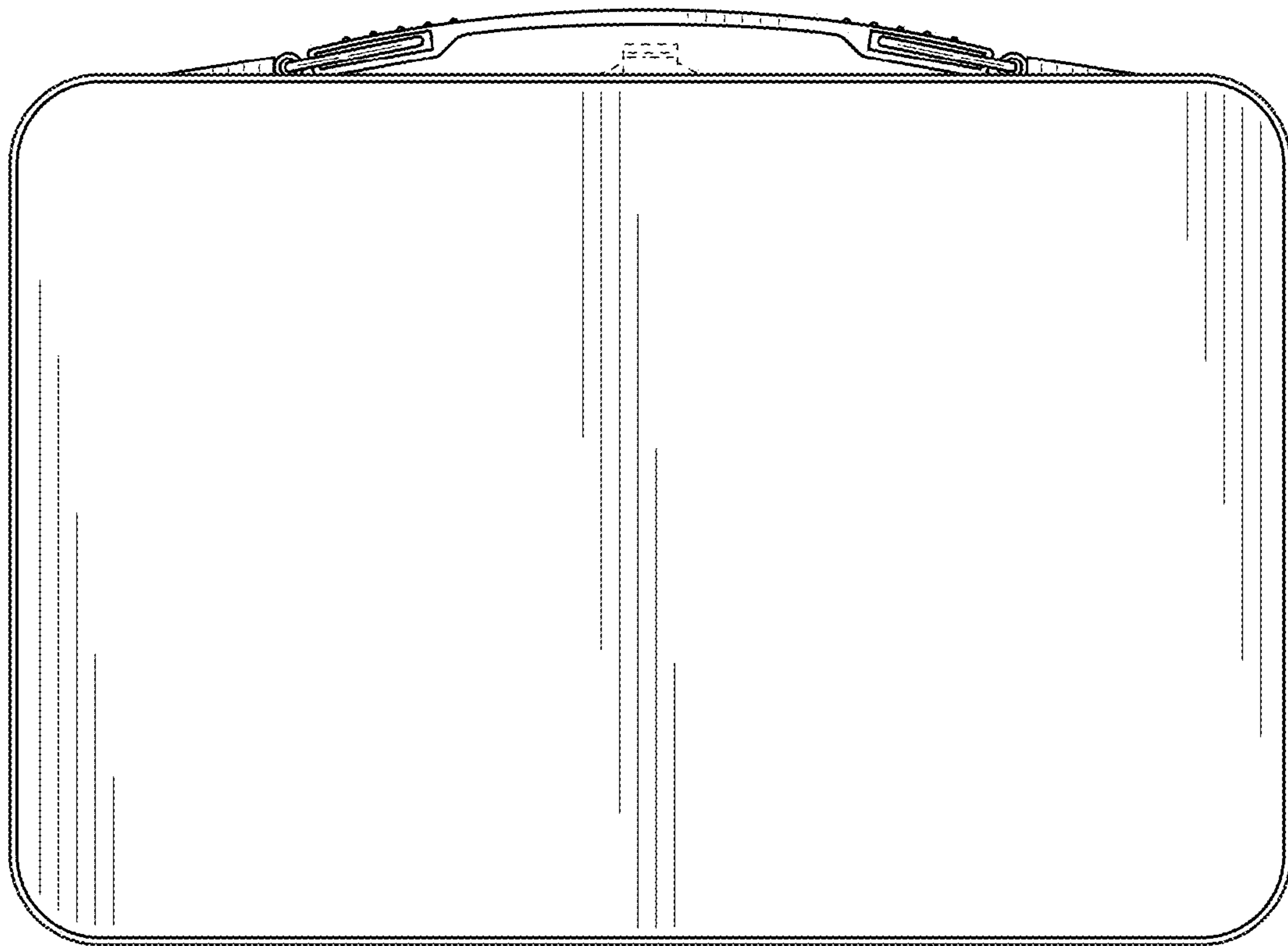


FIG. 3

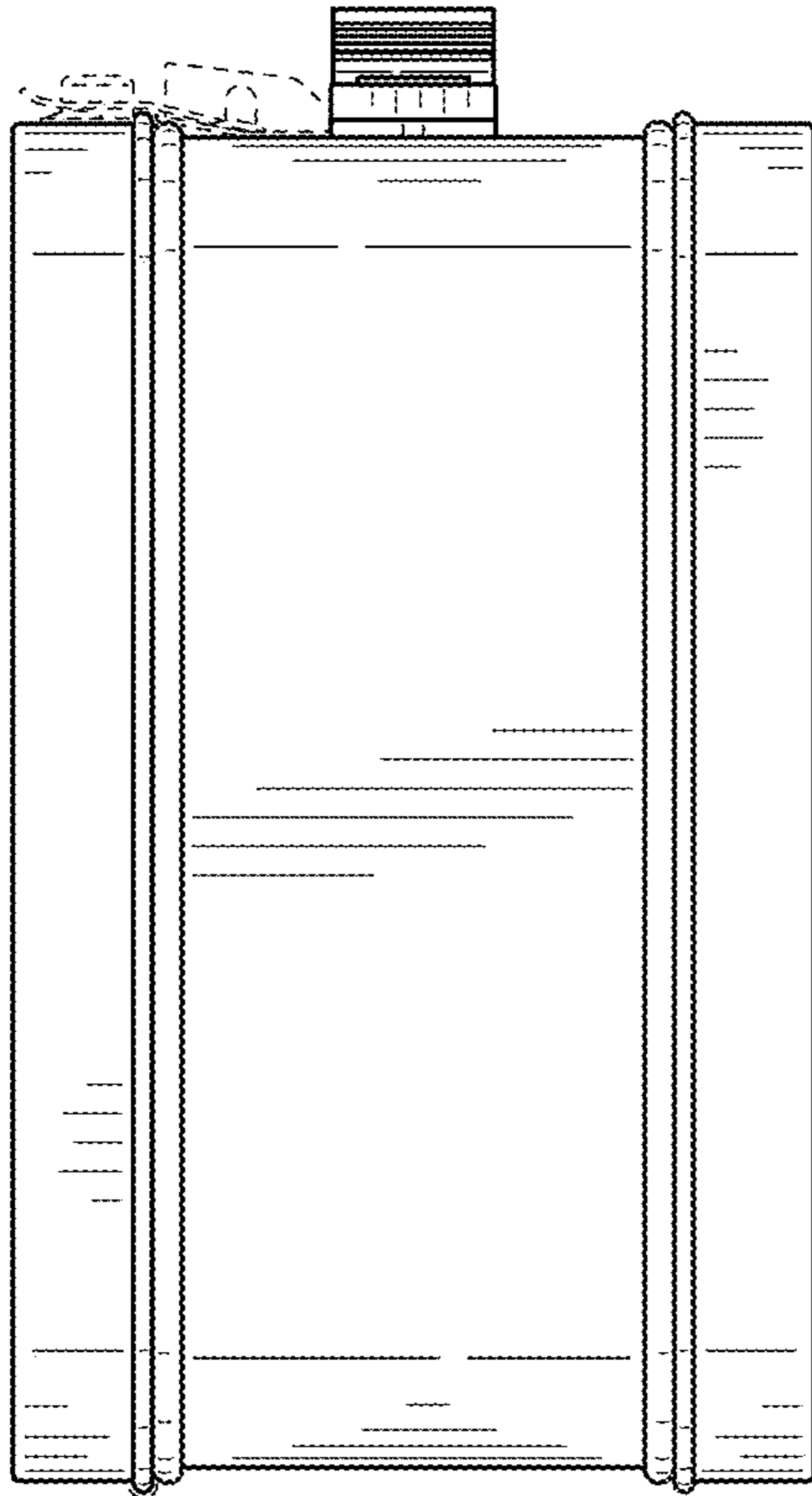


FIG. 4

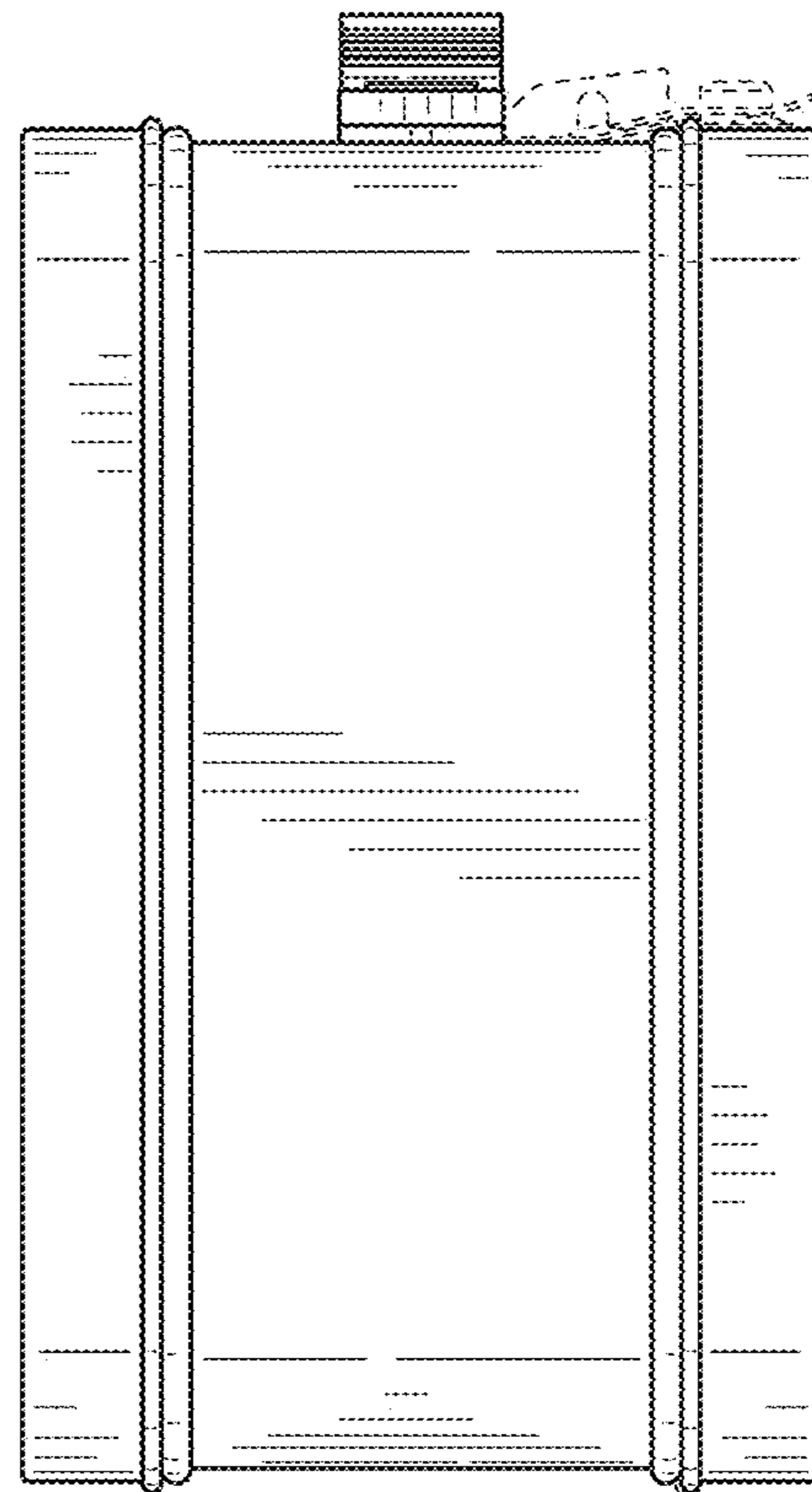


FIG. 5

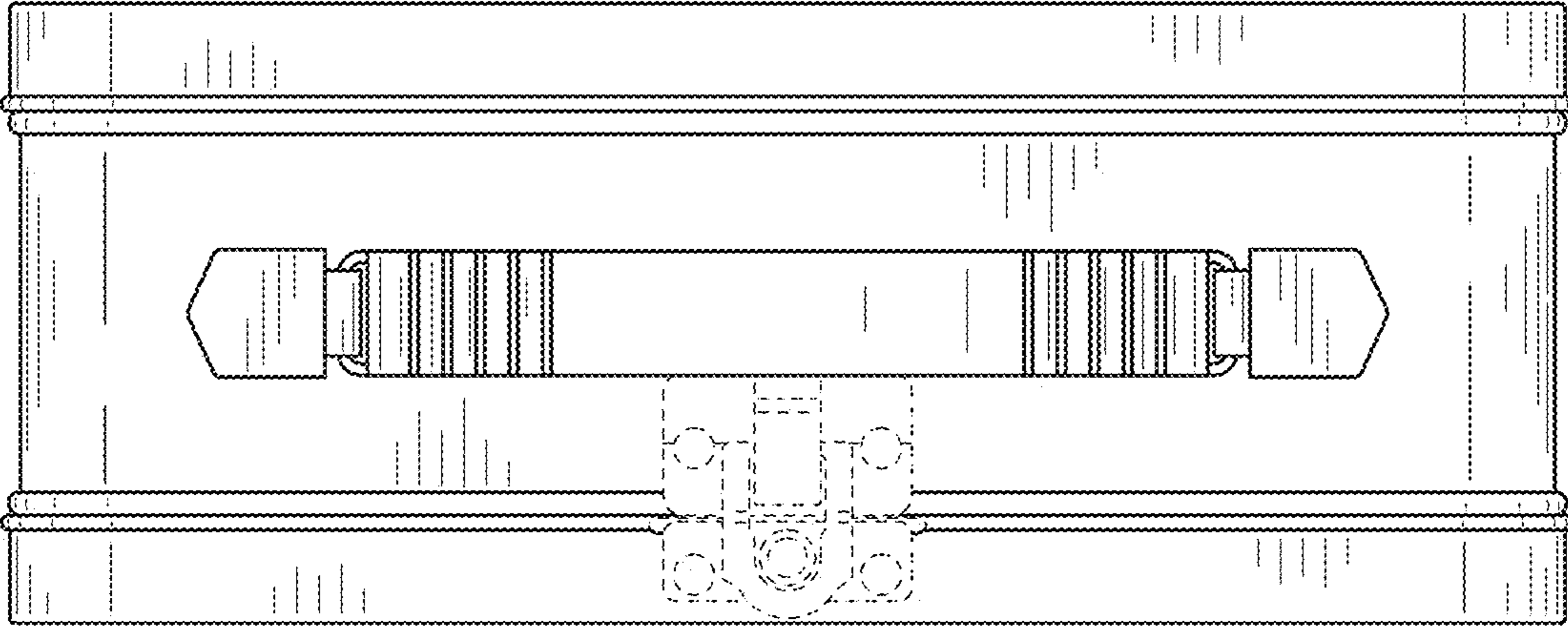


FIG. 6

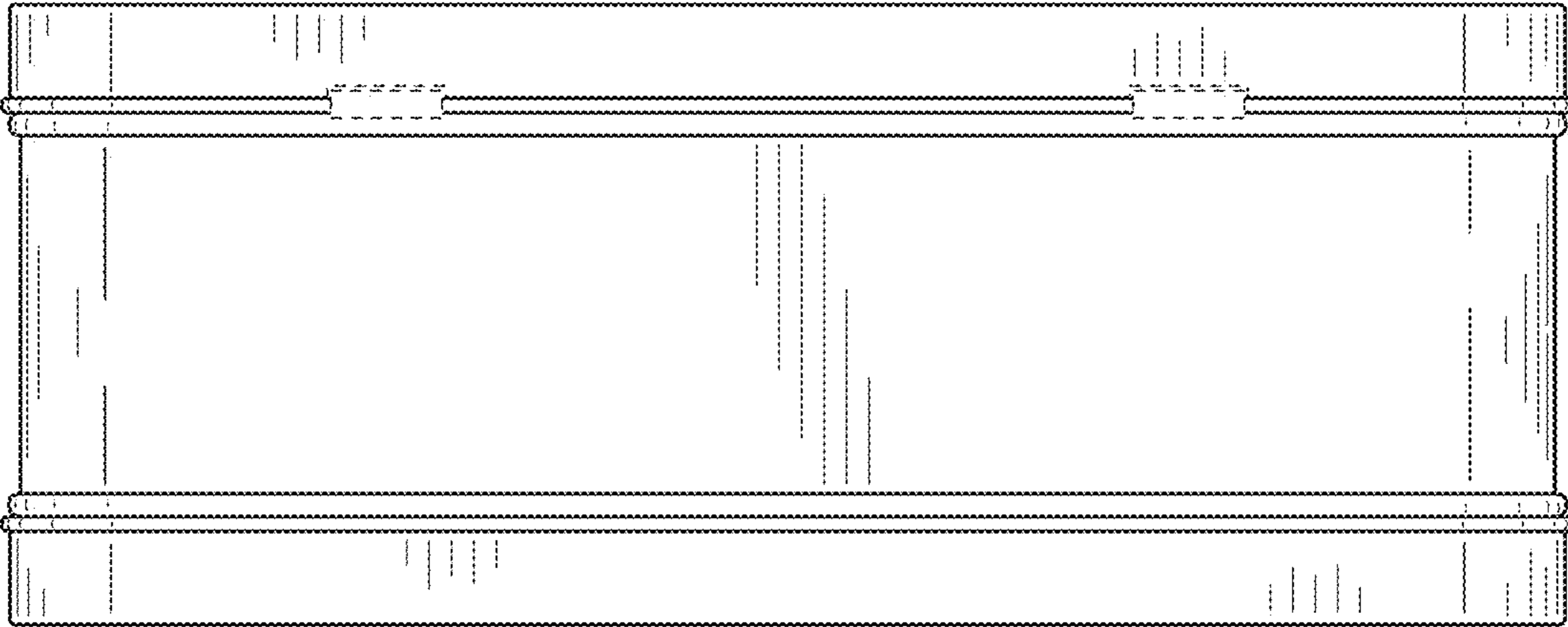


FIG. 7