



US00D937670S

(12) **United States Design Patent** (10) **Patent No.:** **US D937,670 S**  
**Rogers** (45) **Date of Patent:** **\*\* Dec. 7, 2021**

(54) **CONTAINER**

(71) Applicant: **Elizabeth Rogers**, Rocklin, CA (US)

(72) Inventor: **Elizabeth Rogers**, Rocklin, CA (US)

(\*\*) Term: **15 Years**

(21) Appl. No.: **29/730,662**

(22) Filed: **Apr. 7, 2020**

(51) **LOC (13) Cl.** ..... **09-03**

(52) **U.S. Cl.**  
USPC ..... **D9/414; D9/529**

(58) **Field of Classification Search**  
USPC ..... D7/400, 601, 608; D9/414, 416, 417,  
D9/420, 425-429, 430, 432, 761; D3/294  
CPC . B65D 1/26; B65D 1/40; B65D 5/243; B65D  
81/3453; B65D 2581/34; B65D  
2581/3404; B65D 2581/3456  
See application file for complete search history.

(56) **References Cited**

**U.S. PATENT DOCUMENTS**

D316,036 S *	4/1991	Kaplan	.....	D9/423
D368,659 S *	4/1996	Smith	.....	D9/414
D412,786 S *	8/1999	Killinger	.....	D3/273
D433,328 S *	11/2000	Loughnane	.....	D9/414
D438,378 S *	3/2001	Charness	.....	D3/273
D451,386 S *	12/2001	Rice	.....	D3/302

(Continued)

**OTHER PUBLICATIONS**

Antique Jewelry Boxes, announced 19th century, [online], site visited May 7, 2021. Available from Internet, URL: <http://www.antiqueanimaljewelry.com> (Year: 1900).\*

*Primary Examiner* — Janice Patyk

(74) *Attorney, Agent, or Firm* — Heisler & Associates

(57) **CLAIM**

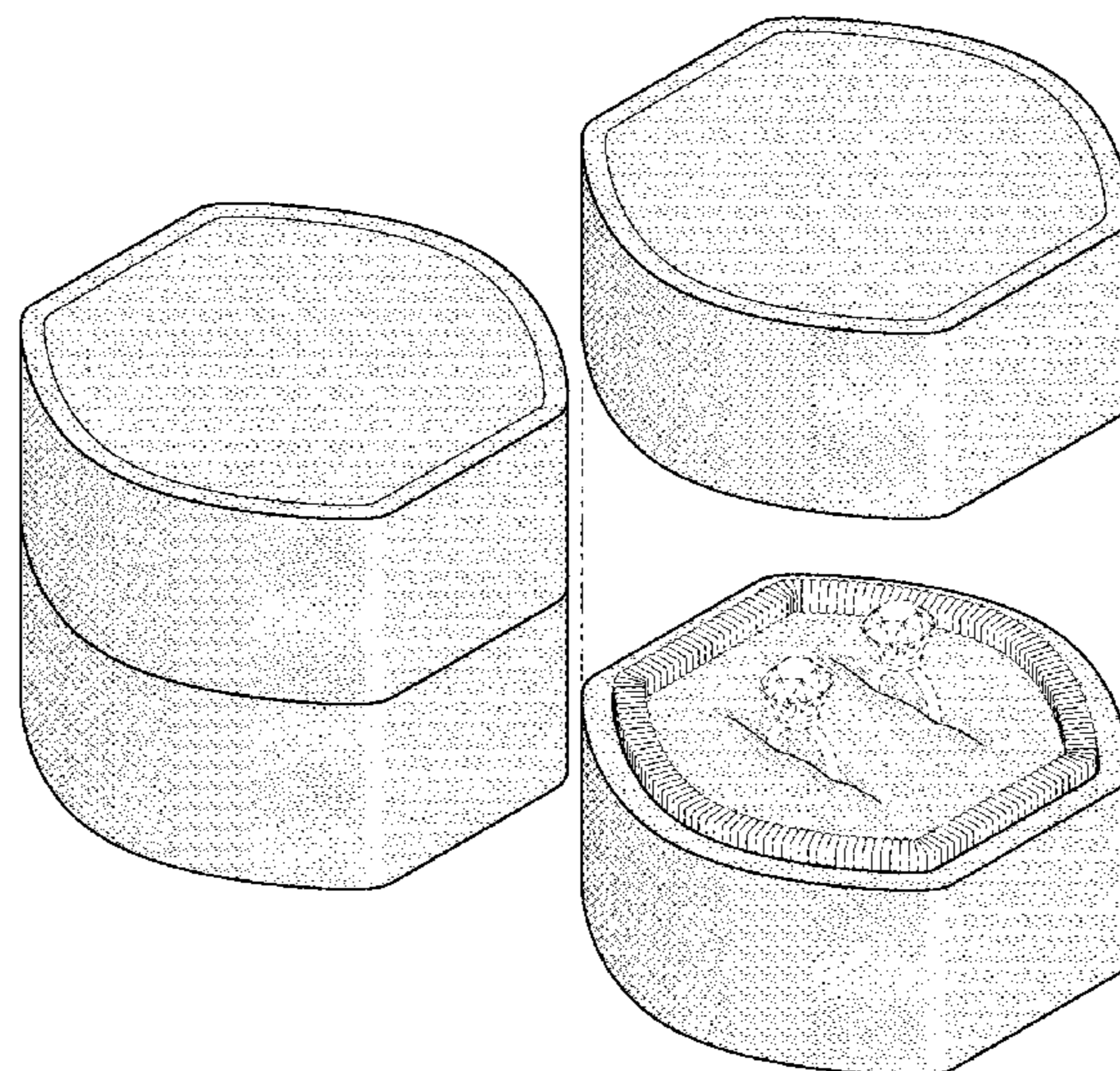
The ornamental design for a container, as shown and described.

**DESCRIPTION**

FIG. 1 is a top perspective view of a container, showing my new design;  
FIG. 2 is a top plan view thereof, the bottom plan view being a mirror image;  
FIG. 3 is a front elevation view thereof, the rear elevation view being a mirror image;  
FIG. 4 is a left side elevation view thereof, the right side elevation view being a mirror image;  
FIG. 5 is an exploded top perspective view thereof;  
FIG. 6 is a top plan view thereof, shown without the lid for ease of illustration;  
FIG. 7 is top perspective view thereof, shown without the lid for ease of illustration;  
FIG. 8 is a front elevation view thereof, shown without the lid for ease of illustration;  
FIG. 9 is a left side elevation view thereof, shown without the lid for ease of illustration;  
FIG. 10 is a bottom plan view thereof, shown without the lid for ease of illustration;  
FIG. 11 is a top perspective view thereof, shown without the base for ease of illustration;  
FIG. 12 is a bottom perspective view thereof, shown without the base for ease of illustration;  
FIG. 13 is a front elevation view thereof, shown without the base for ease of illustration;  
FIG. 14 is a left side elevation view thereof, shown without the base for ease of illustration;  
FIG. 15 is a top plan view thereof, shown without the base for ease of illustration; and,  
FIG. 16 is a bottom plan view thereof, shown without the base for ease of illustration.

The broken lines in the figures illustrate environmental subject matter that form no part of the claimed design. The dot-dot-dash broken lines of FIG. 5 is included to show relationship of lid to base only and forms no part of the claimed design.

**1 Claim, 4 Drawing Sheets**



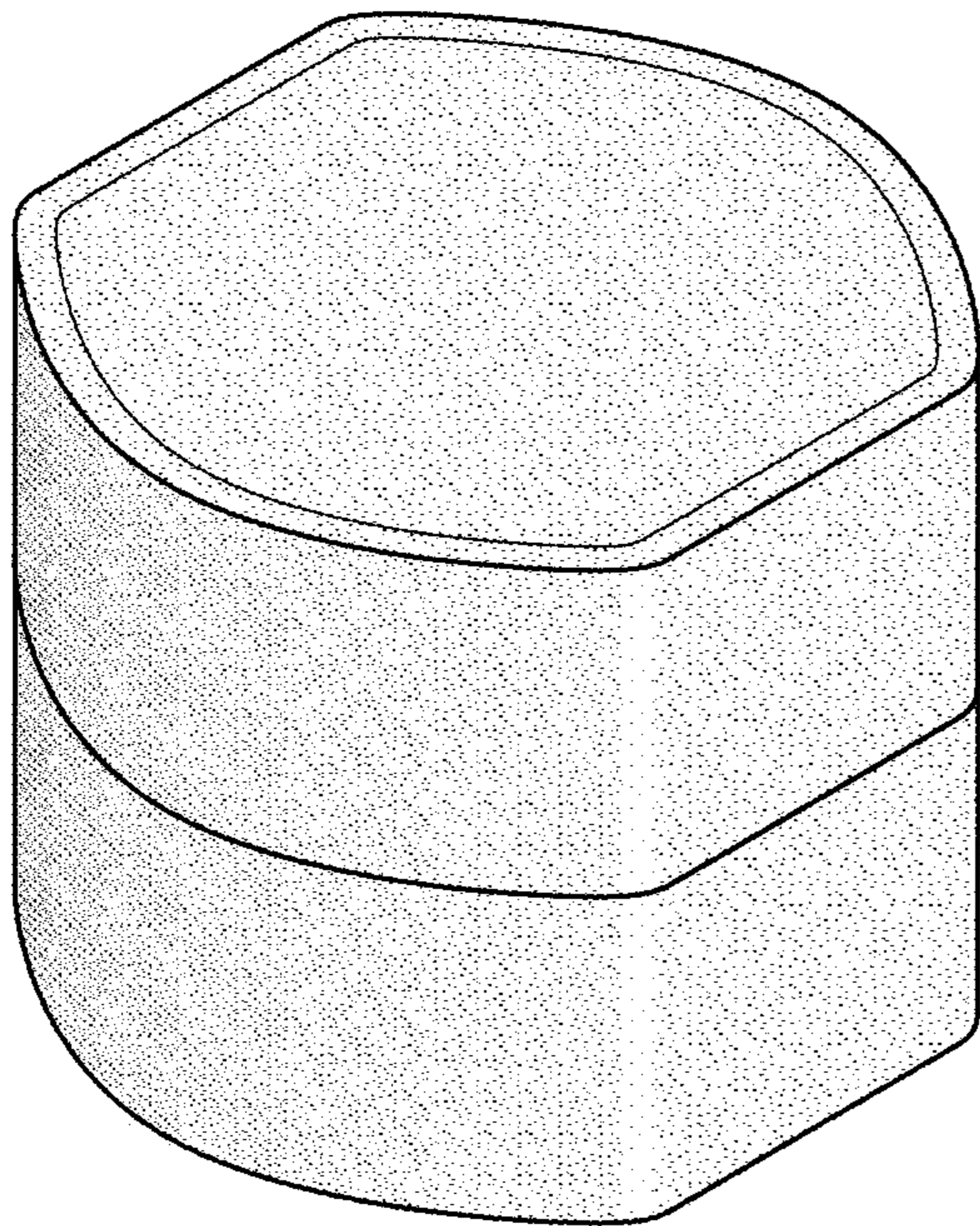
(56)

**References Cited**

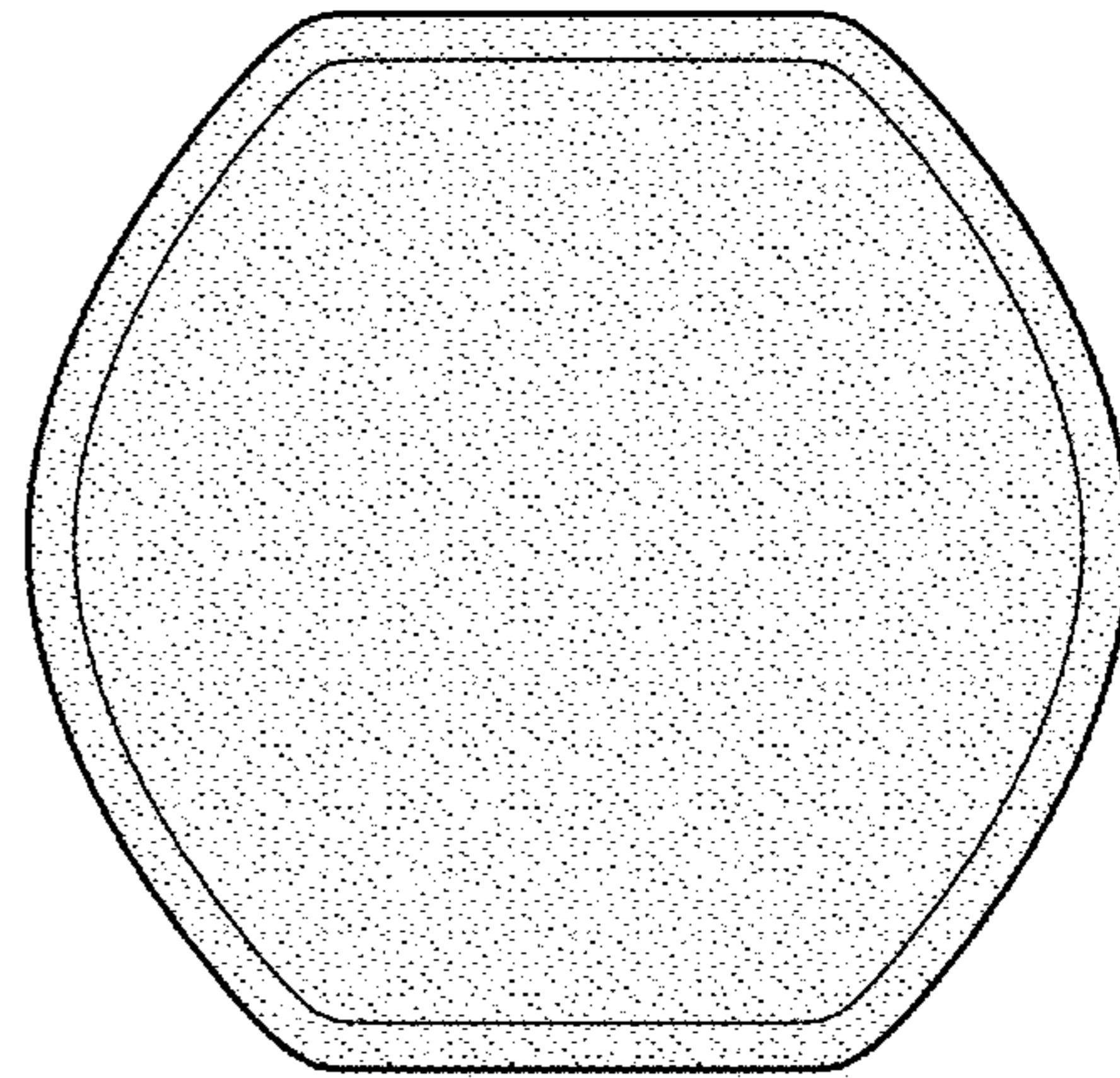
U.S. PATENT DOCUMENTS

D646,156 S	*	10/2011	Maxwell-Wood .....	D9/414
D751,918 S	*	3/2016	Hojaiban .....	D9/645
D764,799 S	*	8/2016	Ball .....	D3/302
D789,194 S	*	6/2017	Cooper .....	D9/418
D838,174 S	*	1/2019	Cho .....	D9/500

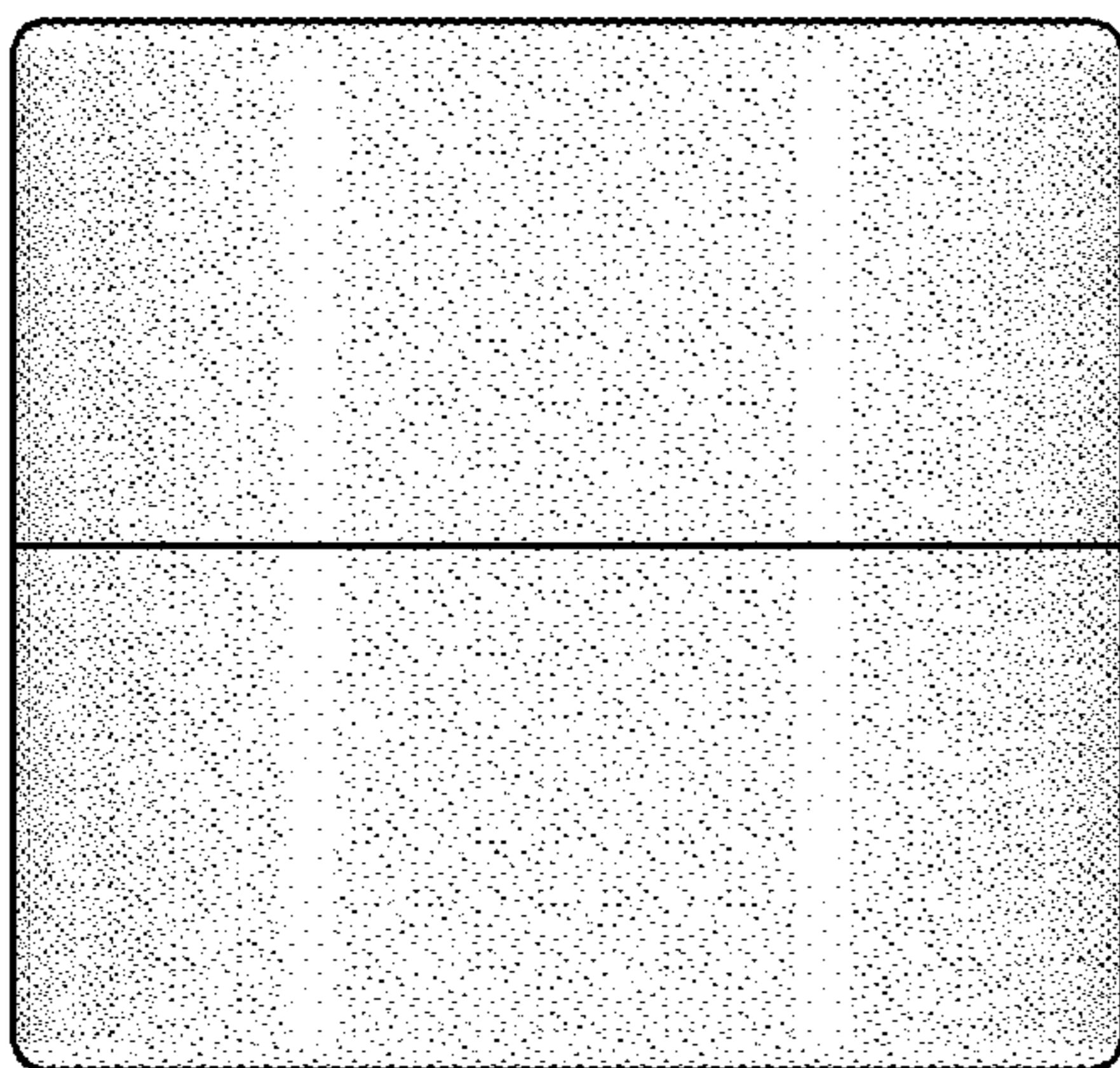
\* cited by examiner



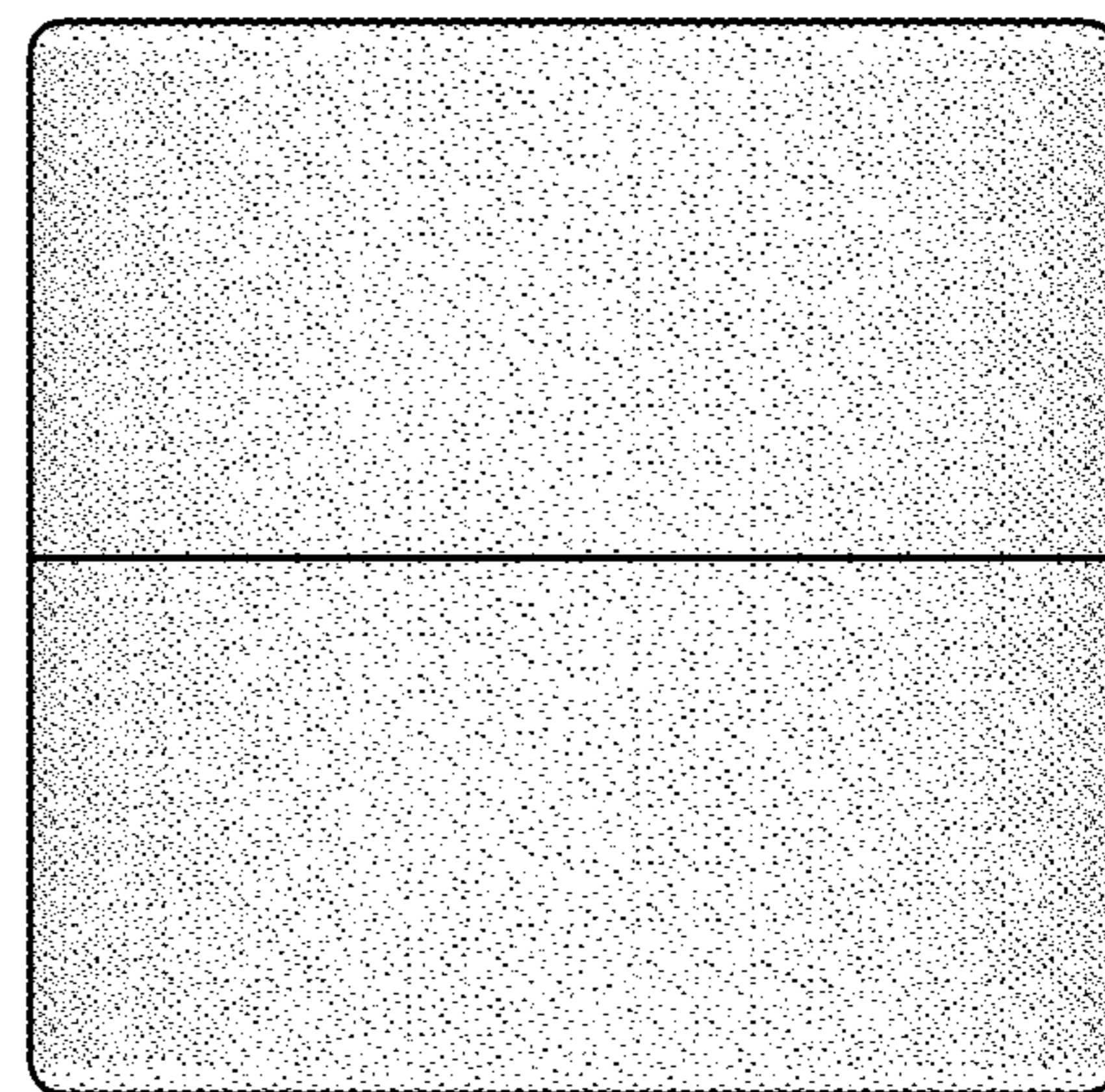
*Fig.1*



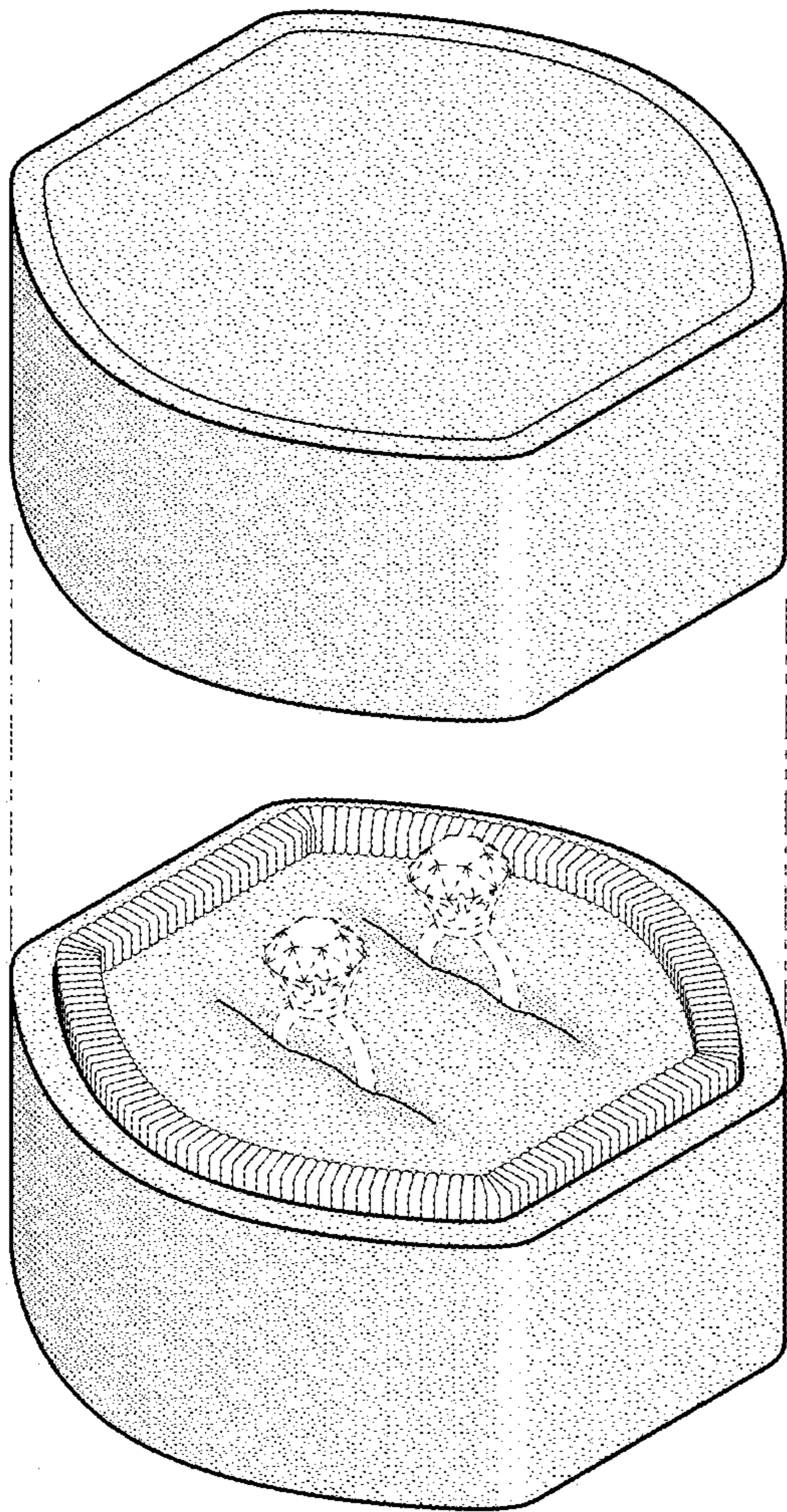
*Fig.2*



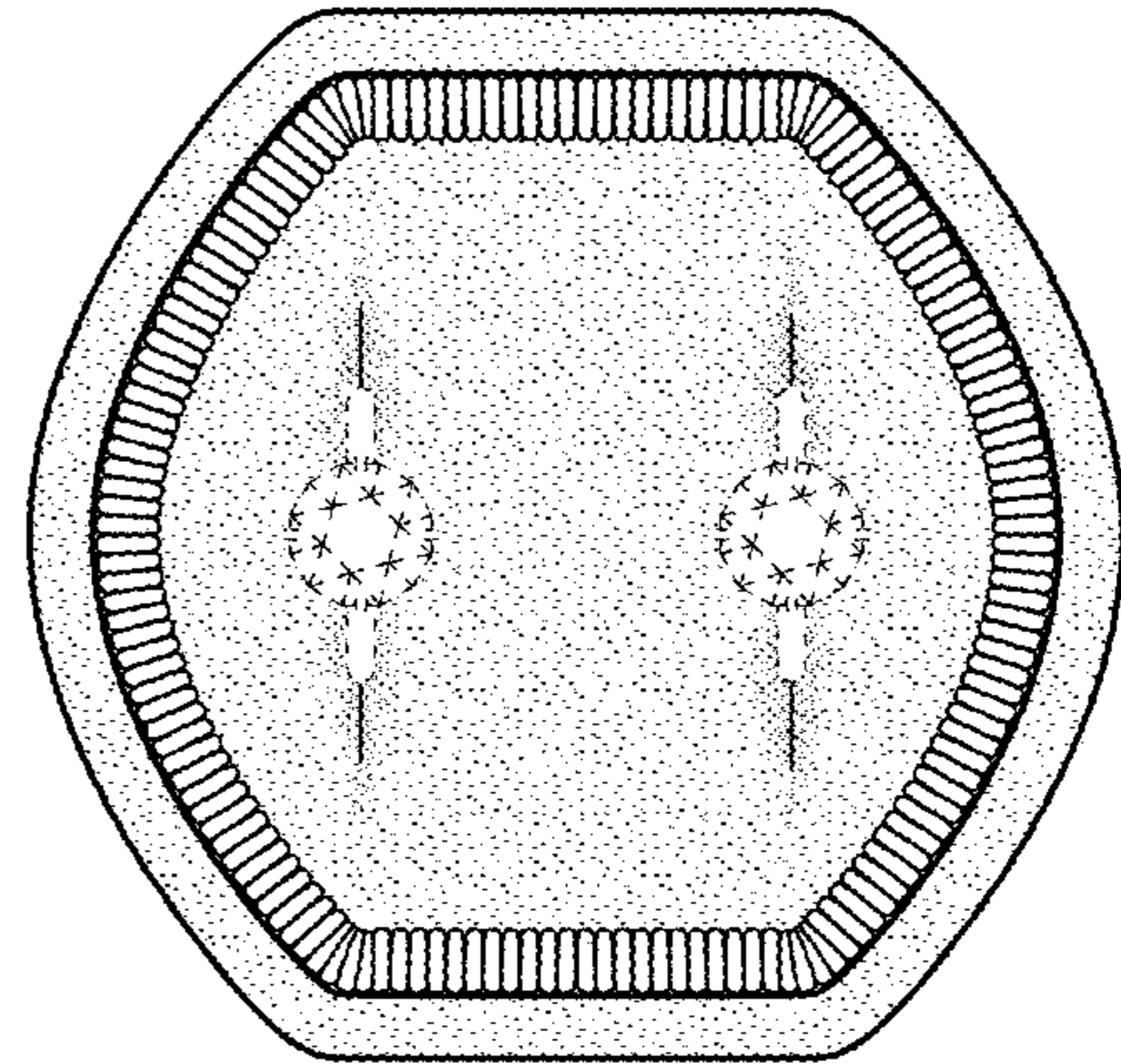
*Fig.3*



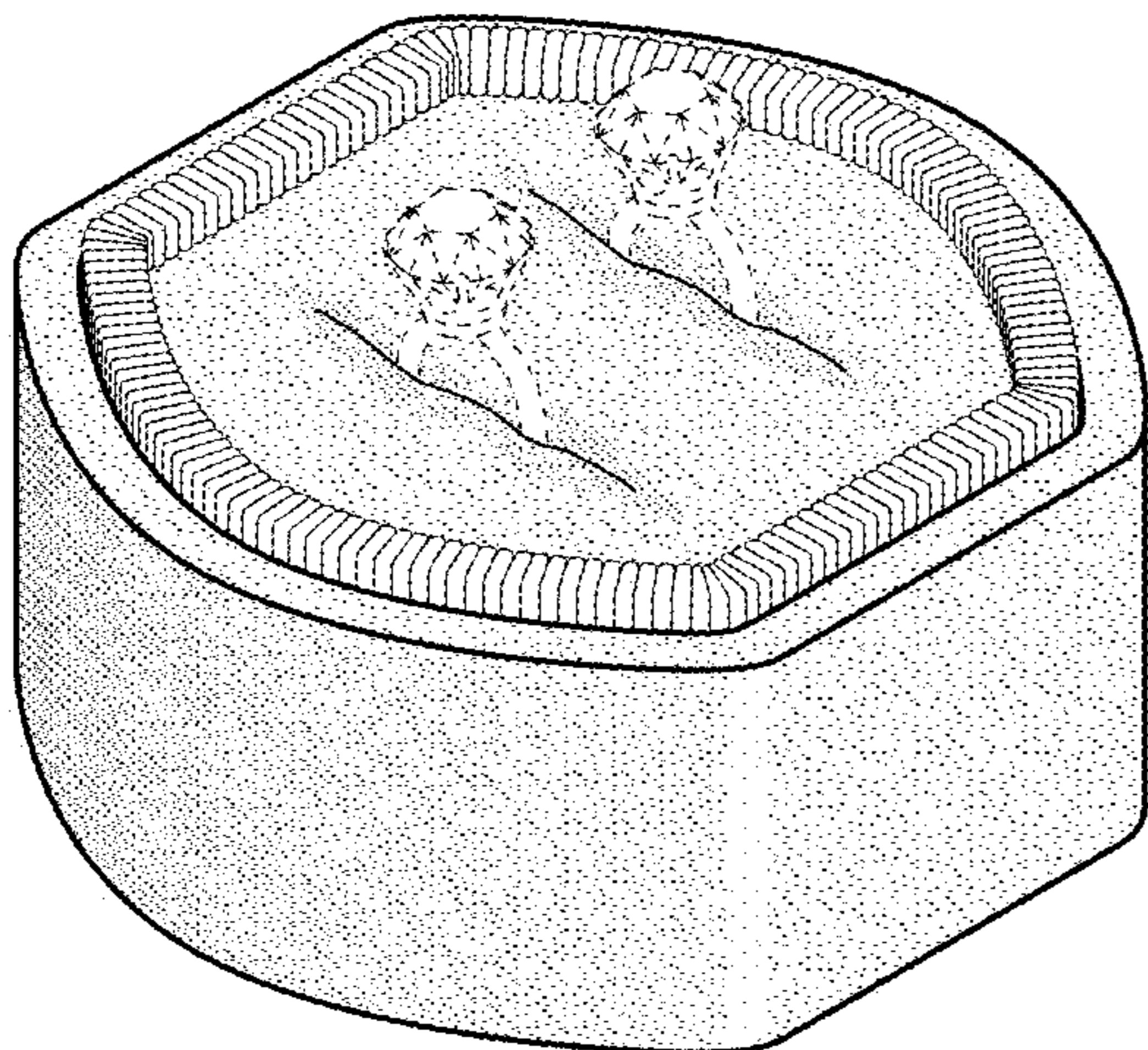
*Fig.4*



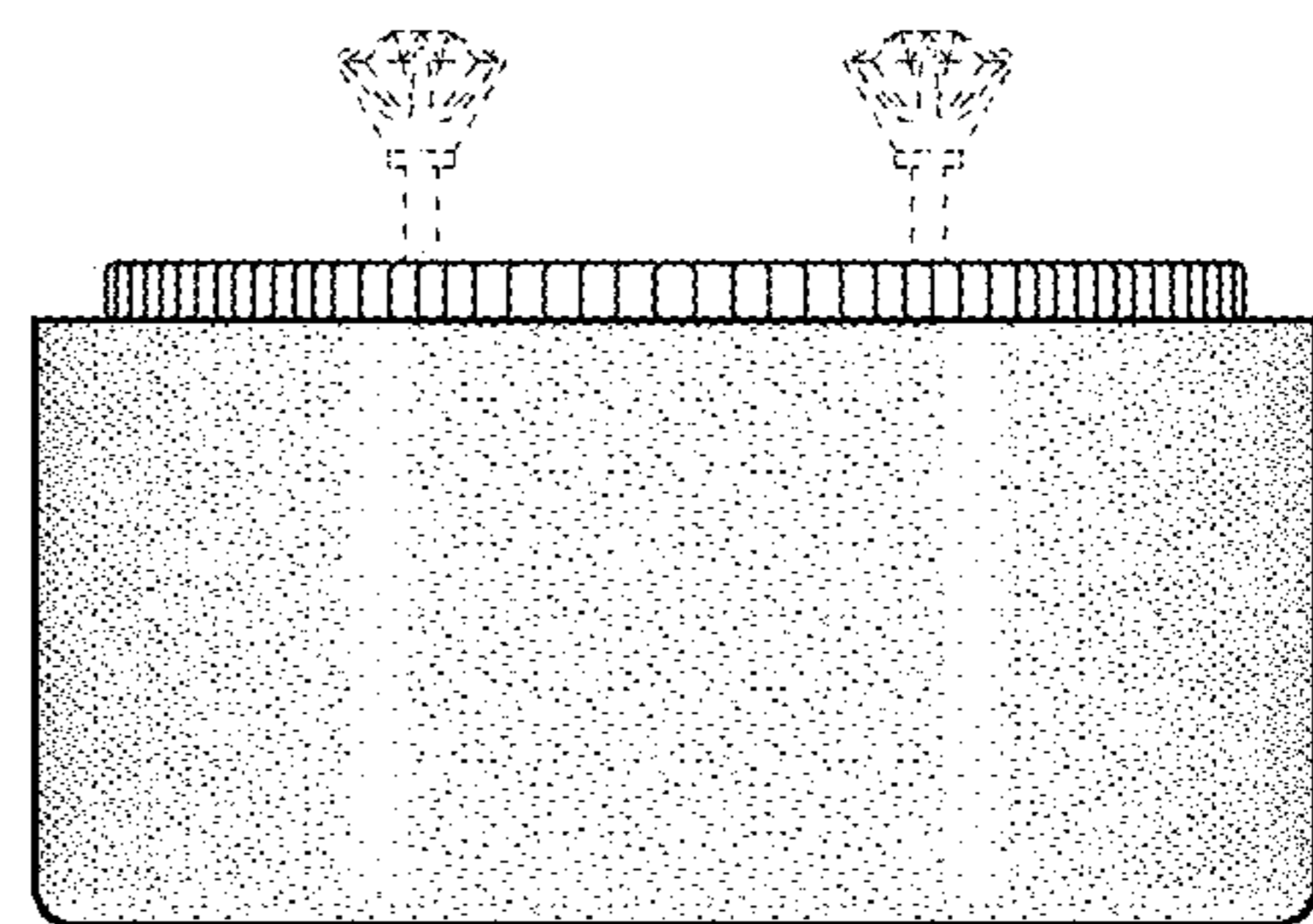
*Fig.5*



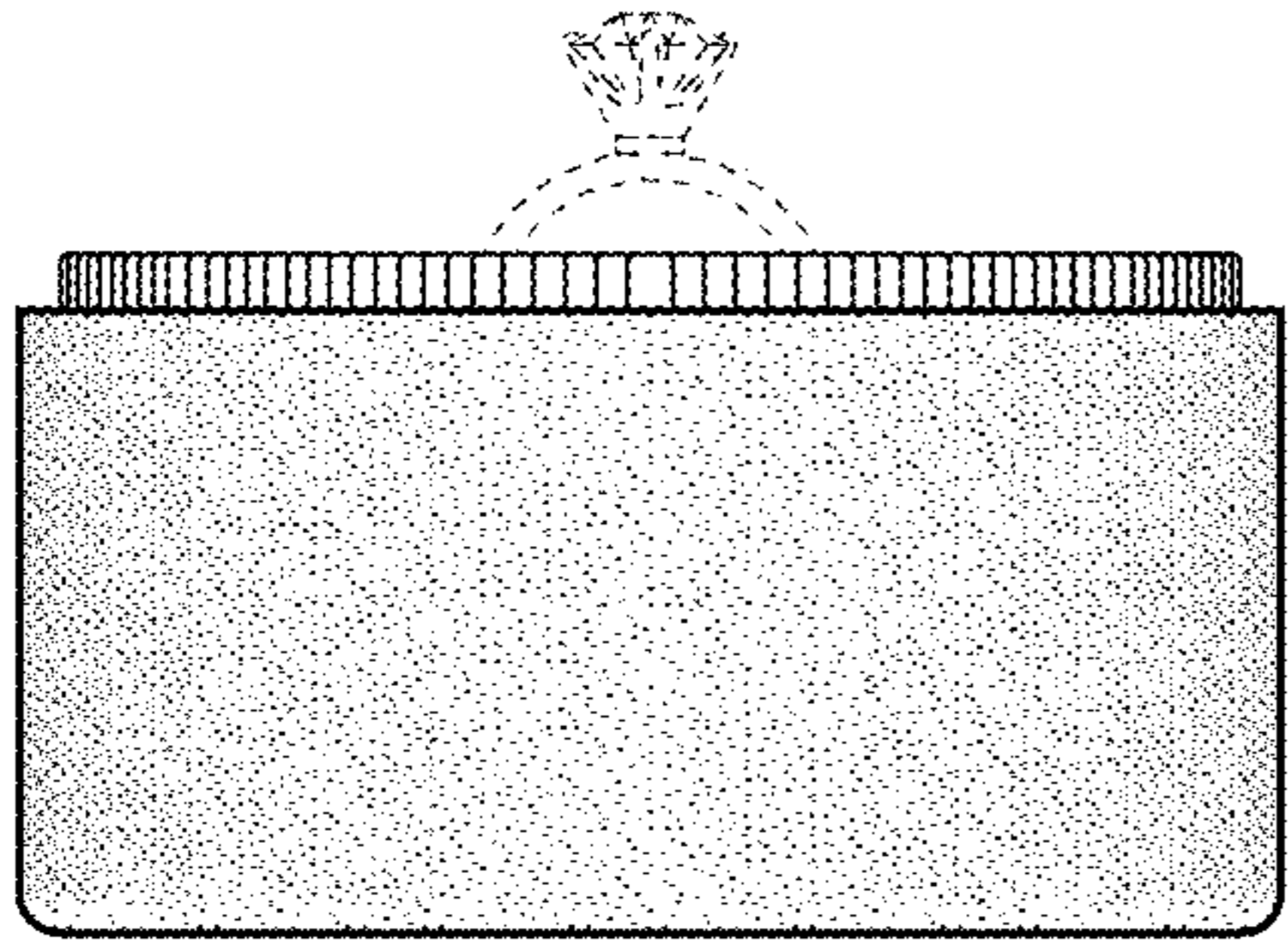
*Fig.6*



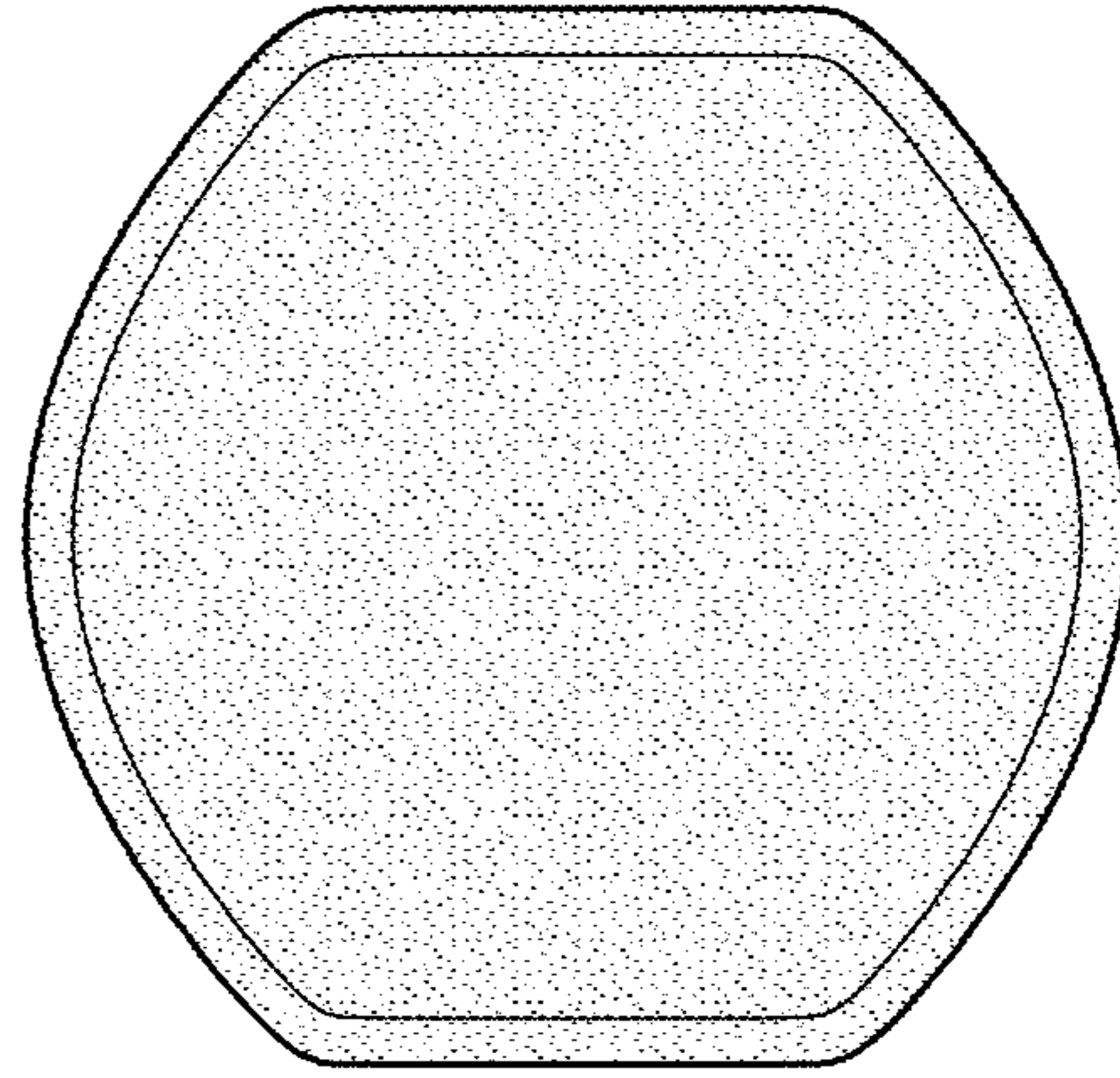
*Fig.7*



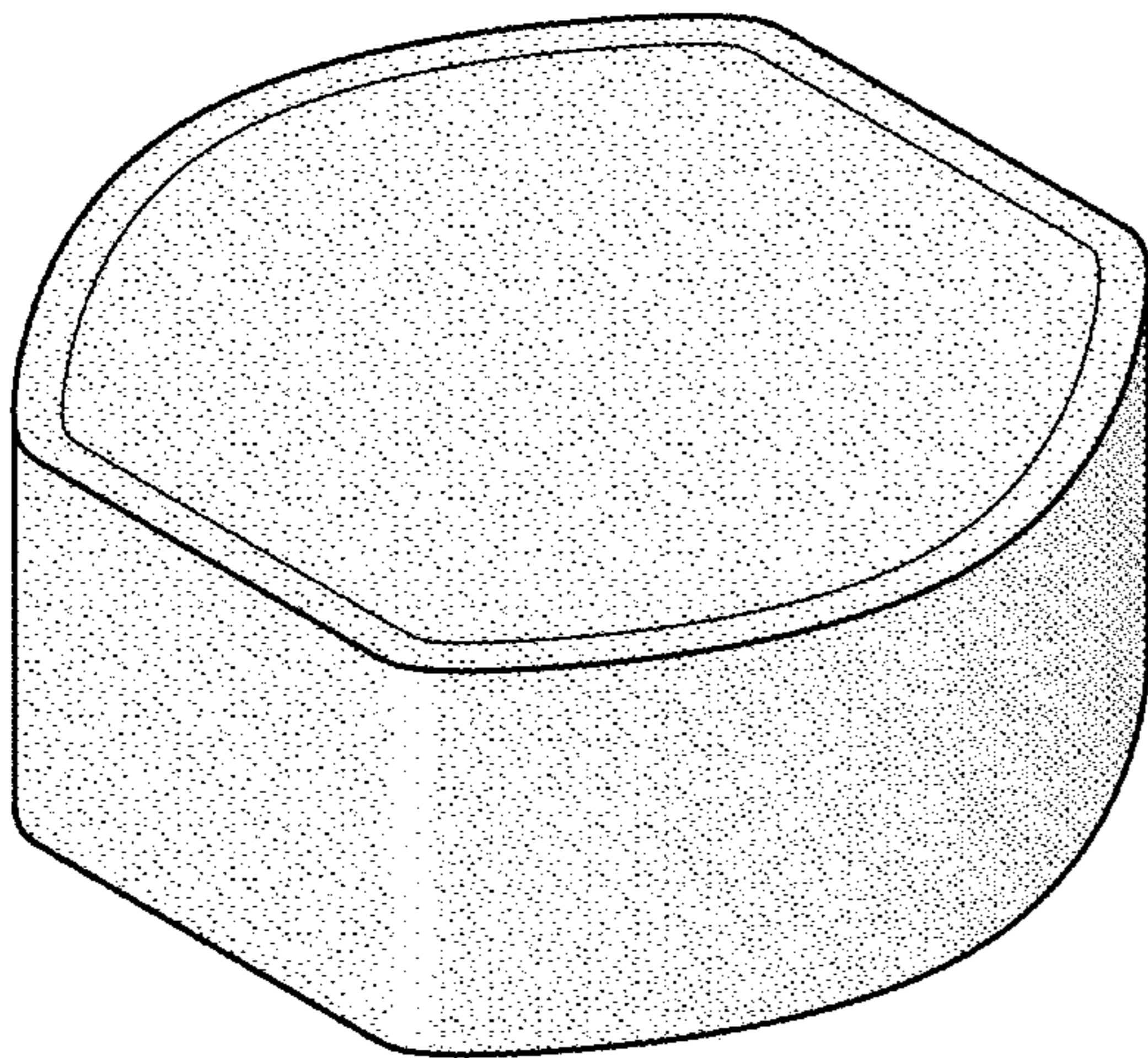
*Fig.8*



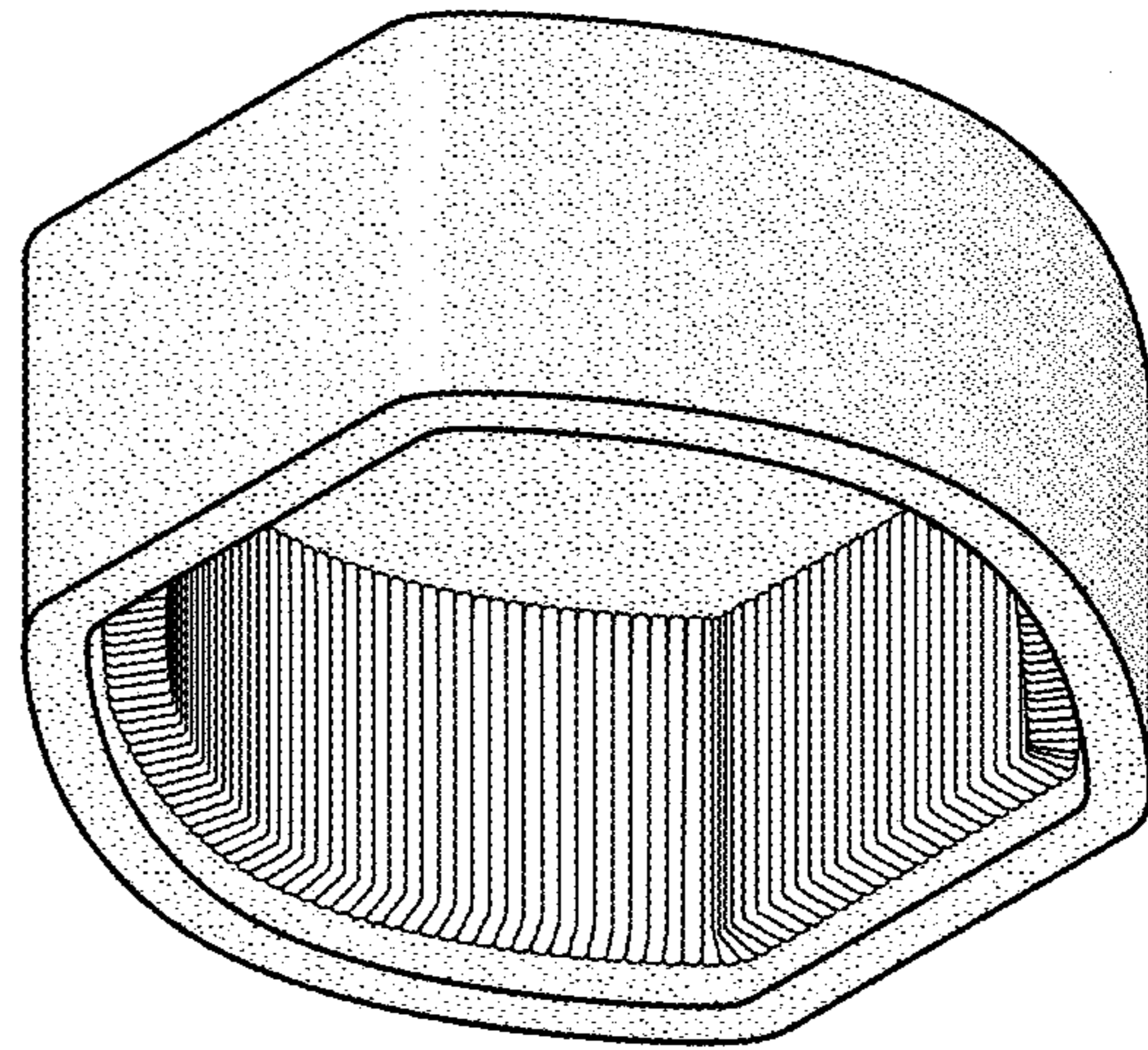
*Fig.9*



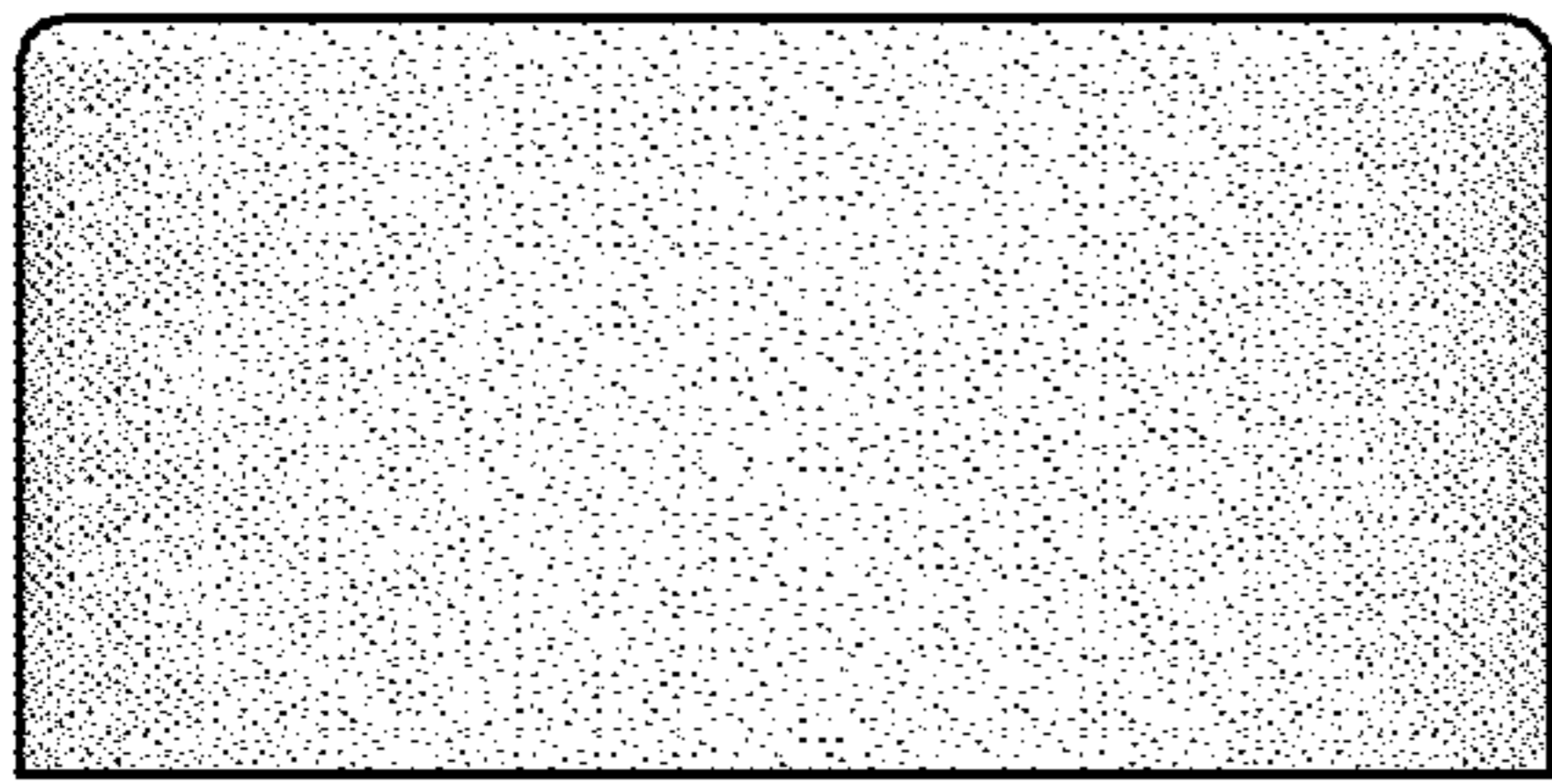
*Fig.10*



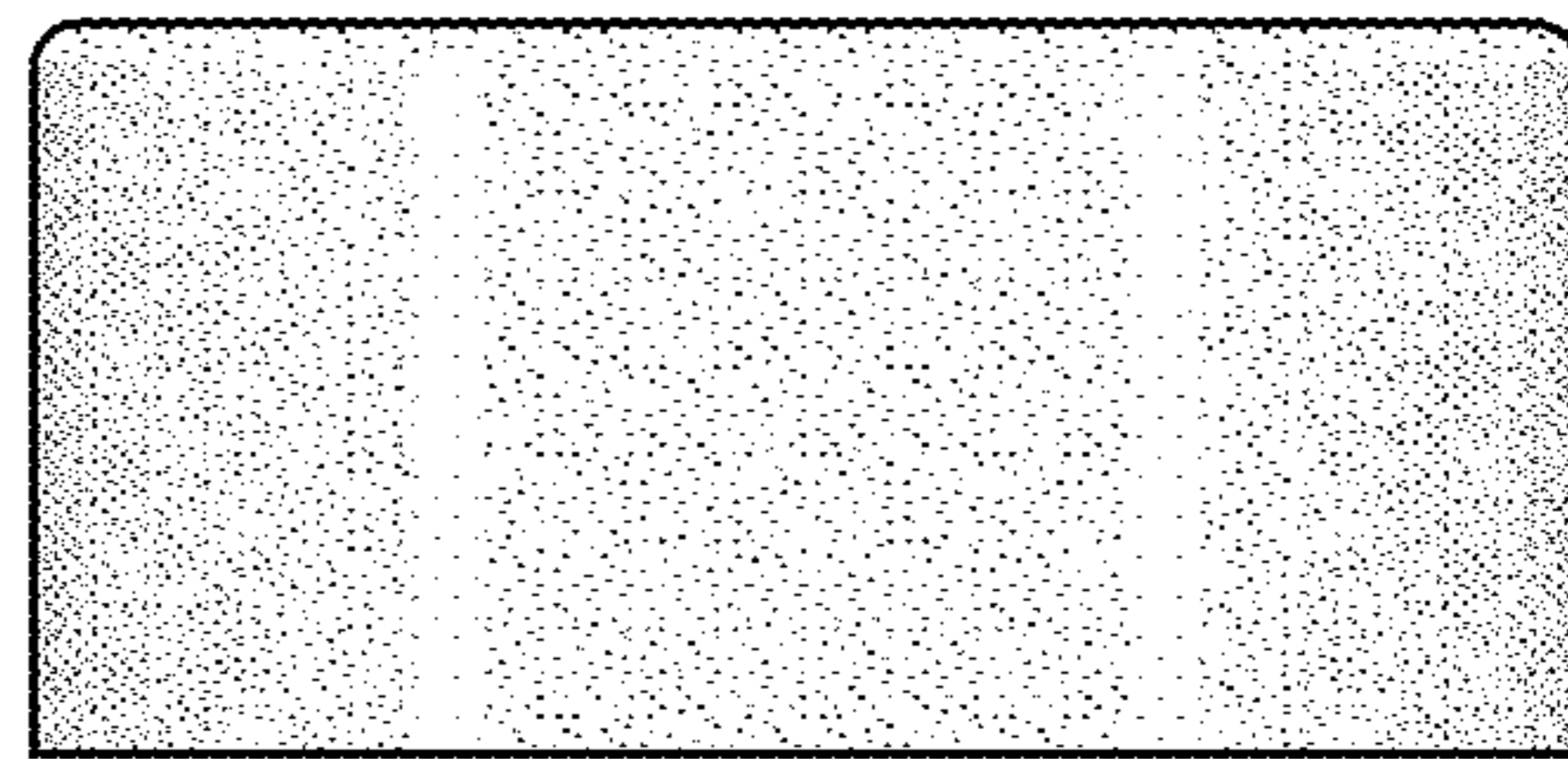
*Fig.11*



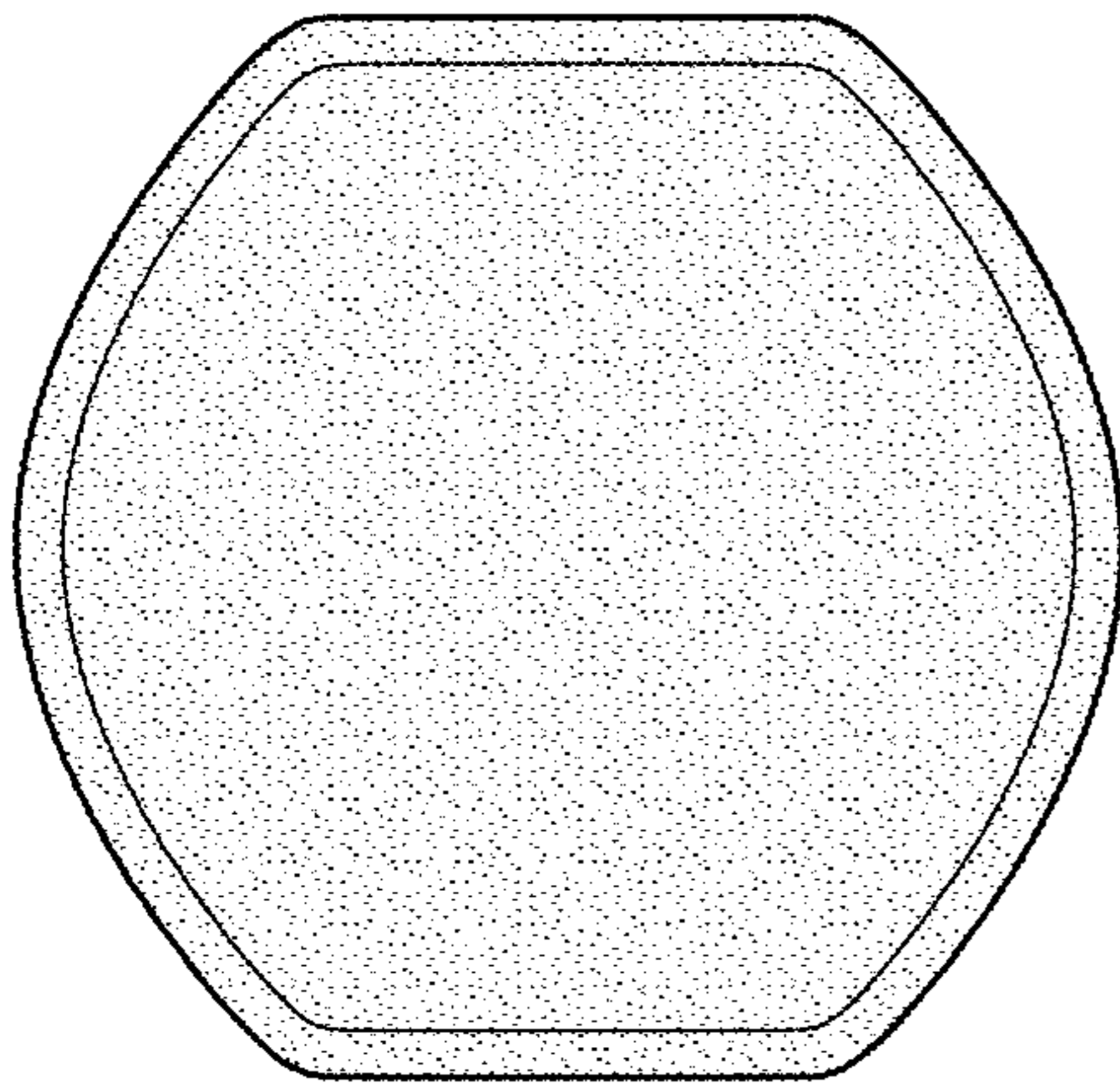
*Fig.12*



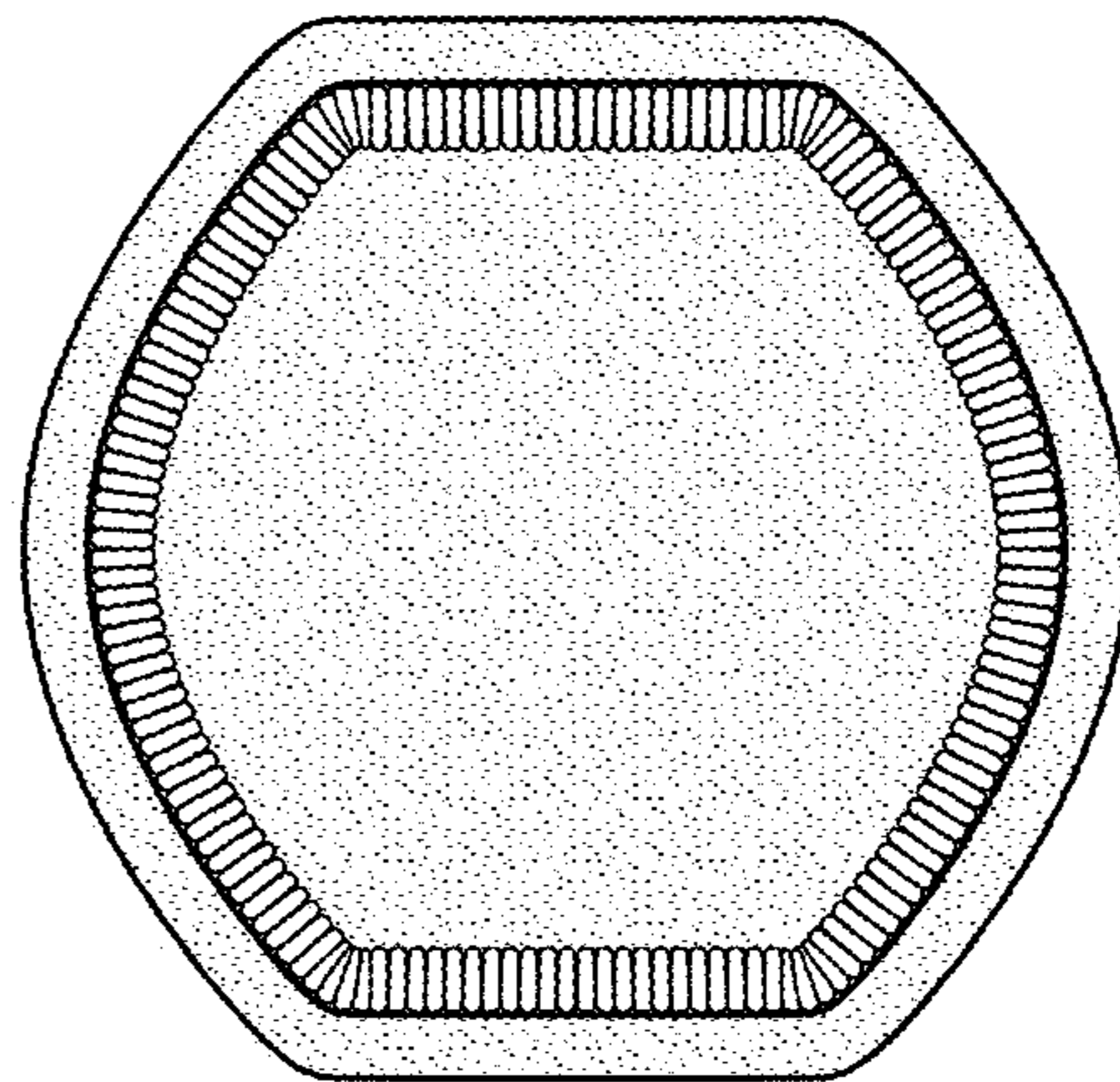
*Fig.13*



*Fig.14*



*Fig.15*



*Fig.16*