



US00D937669S

(12) **United States Design Patent** (10) **Patent No.:** **US D937,669 S**
Hohmann, Jr. (45) **Date of Patent:** **** Dec. 7, 2021**

(54) **HIGH-STRENGTH PARTITION TOP ANCHOR**

(71) Applicant: **Columbia Insurance Company,**
Omaha, NE (US)

(72) Inventor: **Ronald P. Hohmann, Jr.,** Hauppauge,
NY (US)

(73) Assignee: **Hohmann & Barnard, Inc.,**
Hauppauge, NY (US)

(**) Term: **15 Years**

(21) Appl. No.: **29/728,942**

(22) Filed: **Mar. 23, 2020**

Related U.S. Application Data

(60) Continuation of application No. 29/655,780, filed on
Jul. 6, 2018, now Pat. No. Des. 882,383, which is a
(Continued)

(51) **LOC (13) Cl.** **08-08**

(52) **U.S. Cl.**
USPC **D8/382; D8/354**

(58) **Field of Classification Search**
USPC **D8/349, 354, 382, 387, 388, 499**
(Continued)

(56) **References Cited**

U.S. PATENT DOCUMENTS

D26,027 S 9/1896 von Heydebrand
819,869 A 5/1906 Dunlap

(Continued)

FOREIGN PATENT DOCUMENTS

CA 2502978 1/2009
CH 279209 3/1952

(Continued)

OTHER PUBLICATIONS

ASTM Standard E754-80 (2006), Standard Test Method for Pullout
Resistance of Ties and Anchors Embedded in Masonry Mortar
Joints, ASTM International, 8 pages, West Conshohocken, Penn-
sylvania, United States.

(Continued)

Primary Examiner — Holly E Thurman

Assistant Examiner — Ieisha N Price

(74) *Attorney, Agent, or Firm* — Stinson LLP

(57) **CLAIM**

The ornamental design for a high-strength partition top
anchor, as shown and described.

DESCRIPTION

FIG. 1 is a front elevation view of a high-strength partition
top anchor according to the first embodiment of the present
invention, the rear elevation view being identical thereto;
FIG. 2 is a left side elevation view of the high-strength
partition top anchor of FIG. 1, the right side elevation view
being identical thereto;

FIG. 3 is a top view of the high-strength partition top anchor
of FIG. 1;

FIG. 4 is a bottom view thereof;

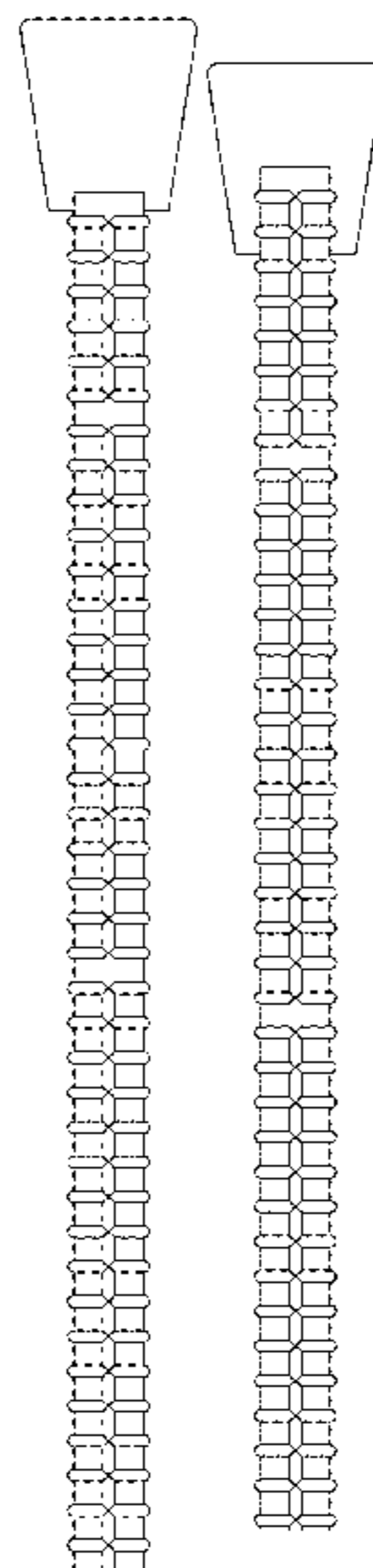
FIG. 5 is a front elevation view of a high-strength partition
top anchor according to the second embodiment the present
invention, the rear elevation view being identical thereto;

FIG. 6 is a left side elevation view of the high-strength
partition top anchor of FIG. 5, the right side elevation view
being identical thereto;

FIG. 7 is a top view of the high-strength partition top anchor
of FIG. 5; and,

FIG. 8 is a bottom view thereof.

1 Claim, 6 Drawing Sheets



Related U.S. Application Data

division of application No. 29/539,856, filed on Sep. 17, 2015, now Pat. No. Des. 846,973.

- (58) **Field of Classification Search**
 CPC E04B 1/4114; E04B 1/4107; E04B 2/00;
 E04B 1/34347; E04B 1/415; E04B
 1/4157; E04B 2002/0247; E04B 2/7425;
 E04B 9/008; E04H 9/02; E02D 5/54;
 E02D 5/808
 See application file for complete search history.

(56) **References Cited**

U.S. PATENT DOCUMENTS

903,000 A 11/1908 Priest, Jr.
 1,014,157 A 1/1912 Lewen
 1,170,419 A 2/1916 Coon et al.
 1,359,978 A 11/1920 Folin
 1,392,703 A 10/1921 Phillips
 RE15,979 E 1/1925 Schaefer et al.
 1,541,518 A * 6/1925 McCain F16B 37/16
 411/409
 1,621,877 A 3/1927 Fitz gerald
 1,714,411 A 5/1929 Walter
 1,794,684 A 3/1931 Handel
 1,854,633 A 4/1932 Stephens
 1,936,223 A 11/1933 Awbrey
 1,942,863 A 1/1934 Johnstone
 1,988,124 A 1/1935 Johnson
 2,058,148 A 10/1936 Hard
 2,097,821 A 11/1937 Mathers
 2,121,213 A 6/1938 Small
 2,130,531 A 9/1938 Arand
 2,240,117 A 4/1941 Homolya
 2,280,647 A 4/1942 Hawes
 2,300,181 A 10/1942 Spaight
 2,343,764 A 3/1944 Fuller
 2,363,156 A 11/1944 Sinner et al.
 2,403,566 A 7/1946 Thorp et al.
 2,413,772 A 1/1947 Morehouse
 2,605,867 A 8/1952 Goodwin
 2,625,357 A 1/1953 Atkinson
 2,631,488 A * 3/1953 Tansey F16B 35/06
 411/402
 2,780,936 A 2/1957 Hillberg
 2,798,404 A 7/1957 Schaefer et al.
 2,898,758 A 8/1959 Henrickson
 2,909,054 A 10/1959 Phillips
 2,929,238 A 3/1960 Kaye
 2,936,667 A * 5/1960 Thorberg F16B 37/045
 411/393
 2,948,045 A 8/1960 Imonetti
 2,966,705 A 1/1961 Massey
 2,999,571 A 9/1961 Huber
 3,030,670 A 4/1962 Bigelow
 3,088,361 A 5/1963 Hallock
 3,114,220 A 12/1963 Maddox et al.
 3,121,978 A 2/1964 Reiland
 3,183,628 A 5/1965 Smith
 3,254,736 A 6/1966 Gass
 3,277,626 A 10/1966 Brynjolfsson et al.
 3,292,336 A 12/1966 Brynjolfsson et al.
 3,300,939 A 1/1967 Brynjolfsson et al.
 3,309,828 A 3/1967 Tribble
 3,310,926 A 3/1967 Brandreth et al.
 3,341,998 A 9/1967 Lucas
 3,342,005 A 9/1967 Rickards et al.
 3,353,312 A 11/1967 Storch
 3,377,764 A 4/1968 Storch
 3,380,208 A 4/1968 Cook
 3,440,922 A 4/1969 Cohen
 3,478,409 A 11/1969 Votaw et al.
 3,478,480 A 11/1969 Swenson
 3,494,090 A 2/1970 Allen
 3,500,713 A 3/1970 Bell

D218,017 S 7/1970 Brown
 3,523,395 A 8/1970 Rutter et al.
 3,529,508 A 9/1970 Cooksey
 3,563,131 A 2/1971 Ridley, Sr.
 3,568,389 A 3/1971 Gulow
 3,587,198 A 6/1971 Hensel
 3,606,236 A 9/1971 Seegers
 3,621,626 A 11/1971 Tylus
 3,628,299 A 12/1971 Nakasawa
 3,640,043 A 2/1972 Querfeld et al.
 3,707,815 A 1/1973 Molyneux
 D229,538 S * 12/1973 Steffan D8/397
 3,786,605 A 1/1974 Winfrey
 3,803,972 A 4/1974 Deutscher
 3,890,758 A 6/1975 Bouchard
 3,897,712 A 8/1975 Black
 3,911,783 A 10/1975 Gapp et al.
 3,925,996 A 12/1975 Wiggill
 3,938,545 A 2/1976 Nagy et al.
 3,964,226 A 6/1976 Hala et al.
 3,964,227 A 6/1976 Hala
 4,002,001 A 1/1977 Uydess
 4,021,990 A 5/1977 Schwalberg
 4,040,228 A 8/1977 Skubic
 4,060,951 A 12/1977 Gere
 4,107,890 A 8/1978 Seghezzi et al.
 4,108,560 A 8/1978 Minogue
 4,130,977 A 12/1978 Taylor, Jr. et al.
 4,227,359 A 10/1980 Schlenker
 4,238,987 A 12/1980 Siebrecht-Reuter
 D258,418 S * 3/1981 McDonald, Jr. D8/382
 D259,171 S 5/1981 Wallace
 4,281,494 A 8/1981 Weinar
 4,305,239 A 12/1981 Geraghty
 D264,125 S * 4/1982 Biggs D24/156
 4,329,823 A 5/1982 Simpson
 4,350,464 A 9/1982 Brothers
 4,367,892 A 1/1983 Holt
 4,373,314 A 2/1983 Allan
 4,382,416 A 5/1983 Kellogg-Smith
 4,410,760 A 10/1983 Cole
 4,422,617 A 12/1983 Gallis
 4,424,745 A 1/1984 Magorian et al.
 4,426,061 A 1/1984 Taggart
 4,430,035 A 2/1984 Rodseth
 4,438,611 A 3/1984 Bryant
 4,460,300 A 7/1984 Bettini et al.
 4,473,209 A 9/1984 Gallis et al.
 4,473,984 A * 10/1984 Lopez E04B 2/94
 411/397
 4,482,368 A 11/1984 Roberts
 4,484,422 A 11/1984 Roberts
 4,498,271 A 2/1985 Koniger et al.
 4,523,413 A 6/1985 Koppenberg
 4,571,909 A 2/1986 Berghuis et al.
 4,596,102 A 6/1986 Catani et al.
 4,598,518 A 7/1986 Hohmann
 4,600,344 A 7/1986 Sutenbach et al.
 4,604,003 A 8/1986 Francoeur et al.
 4,606,163 A 8/1986 Catani
 4,622,796 A 11/1986 Aziz et al.
 4,628,657 A 12/1986 Ermer et al.
 4,631,889 A 12/1986 Adam et al.
 4,636,125 A 1/1987 Burgard
 4,640,848 A 2/1987 Cerdan-Diaz et al.
 4,653,244 A 3/1987 Farrell
 4,656,806 A 4/1987 Leibhard et al.
 4,660,342 A 4/1987 Salisbury
 4,680,913 A 7/1987 Geisen et al.
 4,688,363 A 8/1987 Sweeney et al.
 4,703,604 A 11/1987 Muller
 4,708,551 A 11/1987 Richter et al.
 4,714,507 A 12/1987 Ohgushi
 4,723,866 A 2/1988 McCauley
 4,736,554 A 4/1988 Tyler
 4,738,070 A 4/1988 Abbott et al.
 4,742,659 A 5/1988 Meilleur
 4,757,662 A 7/1988 Gasser
 4,764,069 A 8/1988 Reinwall et al.

(56)

References Cited

U.S. PATENT DOCUMENTS

2014/0075879	A1	3/2014	Hohmann, Jr.	
2014/0096466	A1	4/2014	Hohmann, Jr.	
2014/0174013	A1	6/2014	Hohmann, Jr. et al.	
2014/0202098	A1	7/2014	De Smet et al.	
2014/0215958	A1	8/2014	Duyvejonck et al.	
2014/0250826	A1	9/2014	Hohmann, Jr.	
2014/0260065	A1	9/2014	Hohmann, Jr.	
2014/0318074	A1	10/2014	Heudorfer et al.	
2014/0345208	A1	11/2014	Hohmann, Jr.	
2015/0033651	A1	2/2015	Hohmann, Jr.	
2015/0096243	A1	4/2015	Hohmann, Jr.	
2015/0121792	A1	5/2015	Spoo et al.	
2016/0069066	A1	3/2016	Connell et al.	
2016/0160493	A1	6/2016	Hohmann, Jr.	
2017/0045068	A1	2/2017	Sikorski	
2017/0081838	A1*	3/2017	Hohmann, Jr.	E04B 1/4107
2017/0159285	A1*	6/2017	Hohmann, Jr.	E04B 1/4178
2017/0350117	A1	12/2017	Hogan et al.	
2018/0209139	A1*	7/2018	Tu	E04C 5/163
2019/0292771	A1*	9/2019	Zhao	E21B 10/44

FOREIGN PATENT DOCUMENTS

DE	231696	6/1909
DE	1960453	6/1970
DE	2856205	A1 7/1980
EP	0 199 595	B1 3/1995
GB	1 575 501	9/1980
GB	2 069 024	A 8/1981
GB	2 246 149	A 1/1992
GB	2 265 164	A 9/1993
GB	2459936	B 3/2013
WO	0166962	A1 1/2001
WO	2006094362	9/2006
WO	2011123873	A2 10/2011

OTHER PUBLICATIONS

ASTM Standard Specification A951/A951M-11, Table 1, Standard Specification for Steel Wire for Masonry Joint Reinforcement, Nov. 14, 2011, 6 pages, West Conshohocken, Pennsylvania, United States.

State Board of Building Regulations and Standards, Building Envelope Requirements, 780 CMR sec. 1304.0 et seq., 7th Edition, Aug. 22, 2008, 11 pages, Boston, MA, United States.

Building Code Requirements for Masonry Structures and Commentary, TMS 402-11/ACI 530-11/ASCE 5-11, 2011, Chapter 6, 2pgs. Hohmann & Barnard, Inc., Product Catalog, 44 pgs (2003).
 Hohmann & Barnard, Inc.; Product Catalog, 2009, 37pgs, Hauppauge, New York, United States.
 Hohmann & Barnard, Inc., Product Catalog, 2013, 52 pages, Hauppauge, New York, United States.
 Kossecka, PH.D, Et Al., Effect of Insulation and Mass Distribution in Exterior Walls on Dynamic Thermal Performance of Whole Buildings, Thermal Envelopes VII/Building Systems—Principles p. 721-731, 1998, 11 pages.
 Final Office Action issued for U.S. Appl. No. 14/857,736, dated Dec. 22, 2017, 24 pages.
 Final Office Action issued for U.S. Appl. No. 14/857,736 dated Sep. 21, 2018, 30 pages.
 Canadian Examination Report from CA 2,845,330, dated Apr. 6, 2016, 4 pages.
 Hohmann & Barnard, Inc., “Design and Fabrication of Stone Support and Masonry Anchor Systems”, Product catalog, p. A20, 2007.
 ASTM WK 2748, Leakage Air Barrier Assemblies, Jan. 2005.
 Heckmann Building Products, Inc. Pos-I-Tie Air Infiltration and Water Penetration Test, Aug. 2003. <http://www.heckmannbuildingprods.com/PPosTest.htm>.
 Heckmann Building Products, Inc. “Wing Nut Pos-I-Tie” Product Catalogue Sheet, Melrose Park, IL, known as of Sep. 3, 2008. www.heckmanbuildingprods.com, Heckman General Catalog for 2006, Oct. 28, 2006 pp. 4-5.
 Wire Bond Corp, “Wire-Bond Sure Tie” and “Wire-Bond Clip”. Product Catalog Sheet, Charlotte, NC, known as of Sep. 3, 2008.
 Non-Final Office action/Restriction Requirement, U.S. Appl. No. 29/539,856, dated May 16, 2018, 8 pgs.
 Canadian Examiner’s Report, Application No. 2,936,124, dated Jul. 25, 2018, 5 pages.
 Office action, U.S. Appl. No. 29/539,856, dated Aug. 23, 2018, 12pgs.
 Non-Final Office action dated Apr. 30, 2018 , U.S. Appl. No. 14/857,736, 17 pgs.
 Non-Final Office action, U.S. Appl. No. 14/857,736, dated Sep. 6, 2017, 24pgs.
 Non-Final Office action for U.S. Appl. No. 14/857,736, filed Apr. 14, 2017, 40pgs.
 Non-Final Office action, U.S. Appl. No. 14/857,736, dated Sep. 28, 2016, 18 pages.
 Canadian Examiner’s Report from CA 167531, dated Jun. 17, 2016, 3 pages.

* cited by examiner

FIG. 1

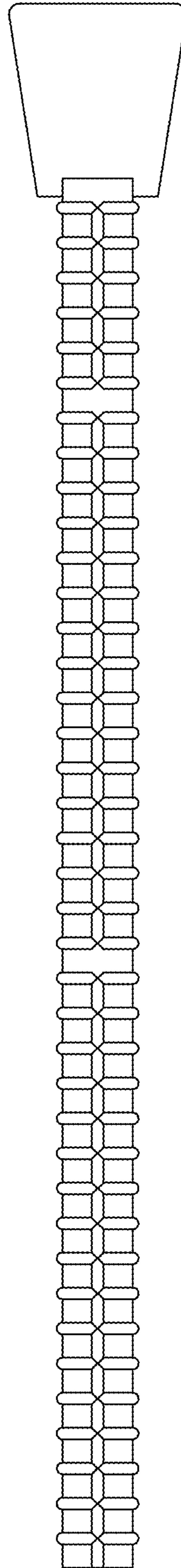


FIG. 2

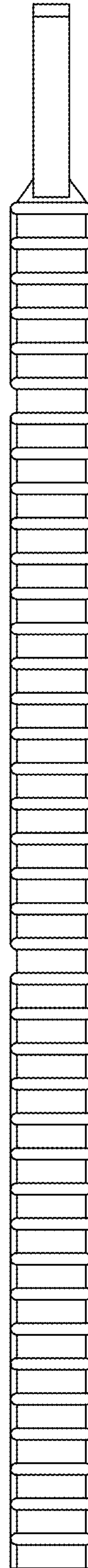


FIG. 3

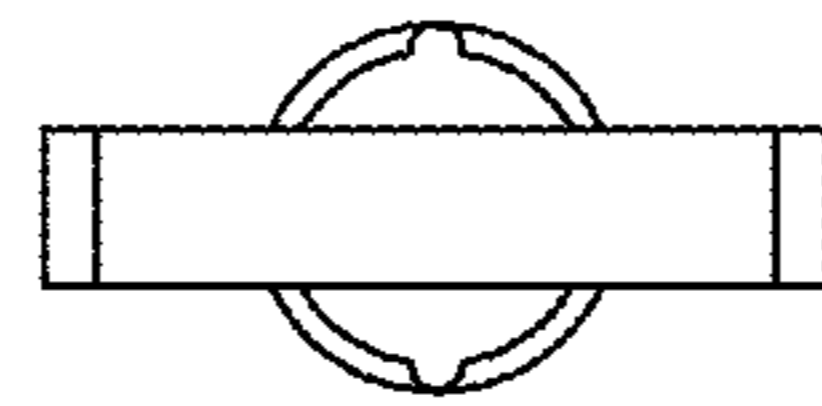


FIG. 4

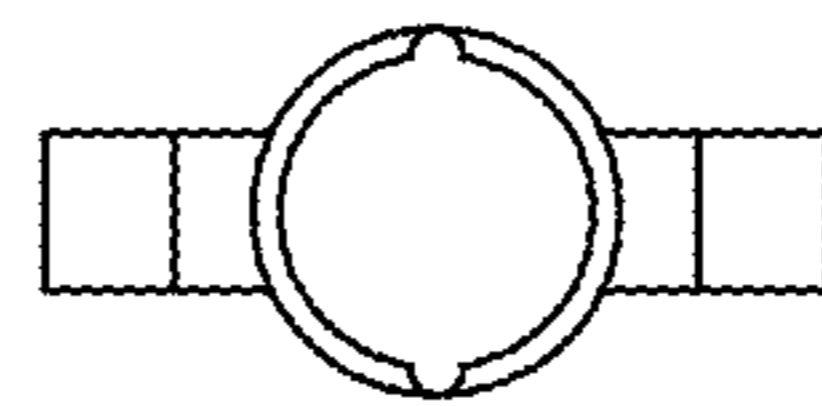


FIG. 5

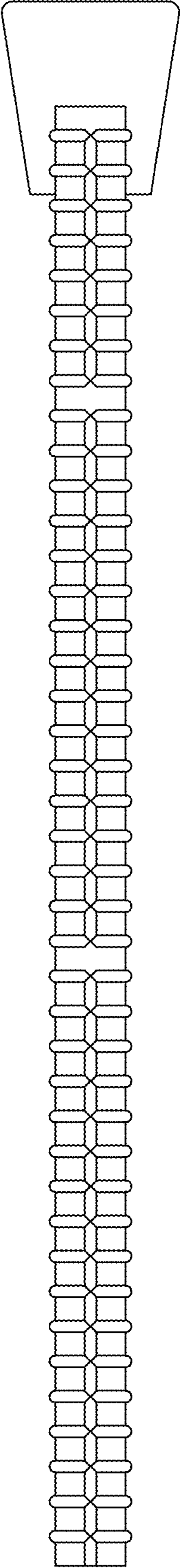


FIG. 6

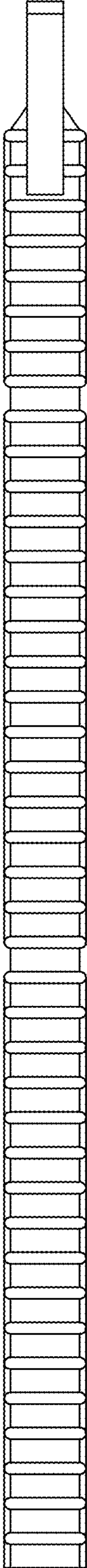


FIG. 7

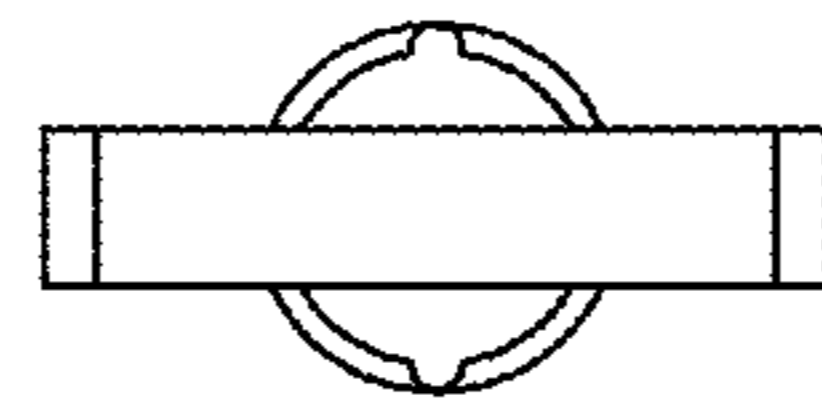


FIG. 8

