



US00D937668S

(12) **United States Design Patent** (10) **Patent No.:** **US D937,668 S**  
**Baez** (45) **Date of Patent:** **\*\* Dec. 7, 2021**

(54) **SHELVING SUPPORT BRACKET**  
(71) Applicant: **CAMBRO MANUFACTURING COMPANY**, Huntington Beach, CA (US)  
(72) Inventor: **Jorge Baez**, Lake Forest, CA (US)  
(73) Assignee: **CAMBRO MANUFACTURING COMPANY**, Huntington Beach, CA (US)  
(\*\*) Term: **15 Years**

4,036,371 A \* 7/1977 Michel ..... F16B 12/02 211/182  
D304,904 S \* 12/1989 Kercher ..... D8/380  
D355,590 S \* 2/1995 Kuwata ..... D8/382  
6,550,730 B1 \* 4/2003 Hong ..... A47B 96/1425 248/219.4  
D564,868 S \* 3/2008 Terada ..... D8/382  
D651,433 S \* 1/2012 Le ..... D6/702  
D719,821 S \* 12/2014 McGrath ..... D8/382  
9,375,102 B2 \* 6/2016 Troyner ..... A47B 57/402  
D762,463 S \* 8/2016 Espinosa, Jr ..... D8/382  
D783,390 S \* 4/2017 Nelson ..... D8/382  
D801,795 S \* 11/2017 Huang ..... D8/382  
D803,673 S \* 11/2017 Espinosa ..... D8/382  
D874,912 S \* 2/2020 Lin ..... D8/382  
2002/0114662 A1 \* 8/2002 Cattaneo ..... A47B 47/0008 403/172

(21) Appl. No.: **29/722,572**  
(22) Filed: **Jan. 30, 2020**  
(51) **LOC (13) Cl.** ..... **08-08**  
(52) **U.S. Cl.**  
USPC ..... **D8/382**  
(58) **Field of Classification Search**  
USPC ..... D8/14, 16, 19, 394, 354, 373, 381, 382;  
D6/562, 702, 707.16, 708, 709, 709.21,  
D6/707.26  
CPC ..... A47B 13/003; A47B 7/00; A47B 13/02;  
A47B 2013/006; A47B 2200/0012; A47B  
2200/0018; A47B 2200/0028; A47B  
57/545; A47B 47/045; A47B 2230/0077;  
A47B 21/02; A47B 47/0008; A47B  
47/0025; A47B 47/0033; A47B 13/00;  
A47B 45/00  
See application file for complete search history.

(56) **References Cited**  
U.S. PATENT DOCUMENTS  
3,711,133 A \* 1/1973 Werner ..... F16B 7/00 403/172  
4,027,987 A \* 6/1977 Berkowitz ..... F16B 7/0446 403/172

(Continued)

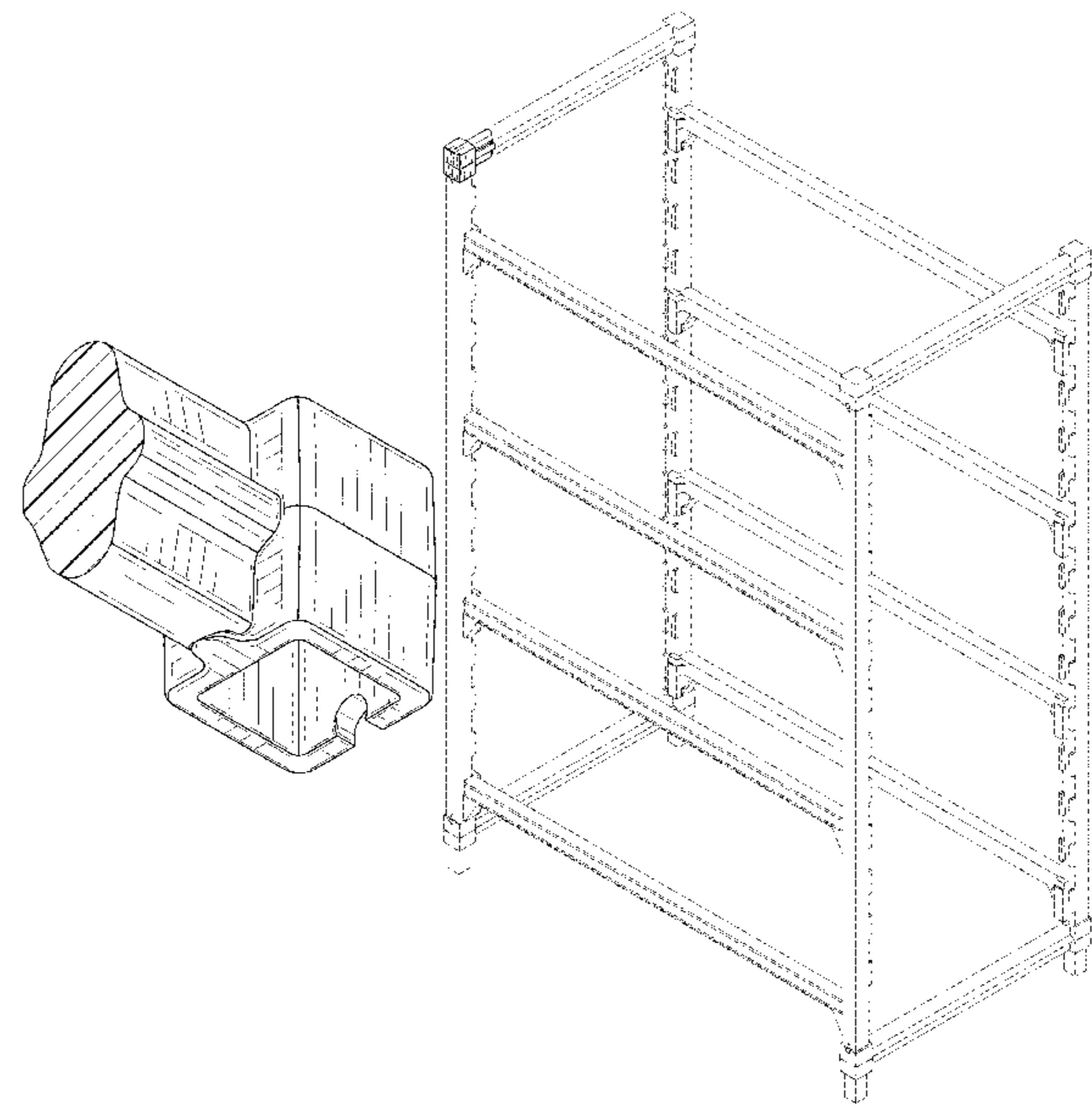
*Primary Examiner* — Holly E Thurman  
*Assistant Examiner* — Ieisha N Price  
(74) *Attorney, Agent, or Firm* — George Bethel

(57) **CLAIM**  
I claim the ornamental design for a shelving support bracket, as shown and described.

**DESCRIPTION**

FIG. 1 shows a bottom left side perspective view of the shelving support bracket.  
FIG. 2 shows a left side elevation view thereof.  
FIG. 3 shows a back elevation view thereof.  
FIG. 4 shows a top plan view thereof.  
FIG. 5 shows a bottom plan view thereof.  
FIG. 6 shows a front elevation view thereof.  
FIG. 7 shows a right side elevation view thereof; and,  
FIG. 8 shows a perspective view of the top right side and front of the shelving support bracket in the environment in which it is used.  
The broken lines rendered in FIG. 8 illustrates the environment of the claimed design and forms no part thereof.

**1 Claim, 3 Drawing Sheets**



(56)

**References Cited**

U.S. PATENT DOCUMENTS

2003/0215375 A1\* 11/2003 Peddicord ..... A47B 13/02  
422/275  
2005/0056604 A1\* 3/2005 Chen ..... A47B 57/40  
211/182  
2010/0155352 A1\* 6/2010 Hsieh ..... A47B 47/0083  
211/134  
2011/0253659 A1\* 10/2011 Jarvis ..... A47B 57/545  
211/153  
2012/0031864 A1\* 2/2012 Wasson ..... A47B 47/045  
211/134  
2017/0065078 A1\* 3/2017 Sabounjian ..... A47B 47/0083  
2018/0010624 A1\* 1/2018 Schlitter ..... F16B 7/0426  
2018/0093120 A1\* 4/2018 Chen ..... A63B 71/023  
2018/0355901 A1\* 12/2018 Trego ..... A47C 4/02  
2019/0216216 A1\* 7/2019 Cooper ..... A47B 96/061  
2019/0223628 A1\* 7/2019 Hicks ..... A47F 7/24  
2020/0100588 A1\* 4/2020 Reinhart ..... A47B 87/008  
2021/0071700 A1\* 3/2021 Zanette ..... A47K 1/02  
2021/0186211 A1\* 6/2021 Baez ..... A47B 57/545

\* cited by examiner

FIG. 1

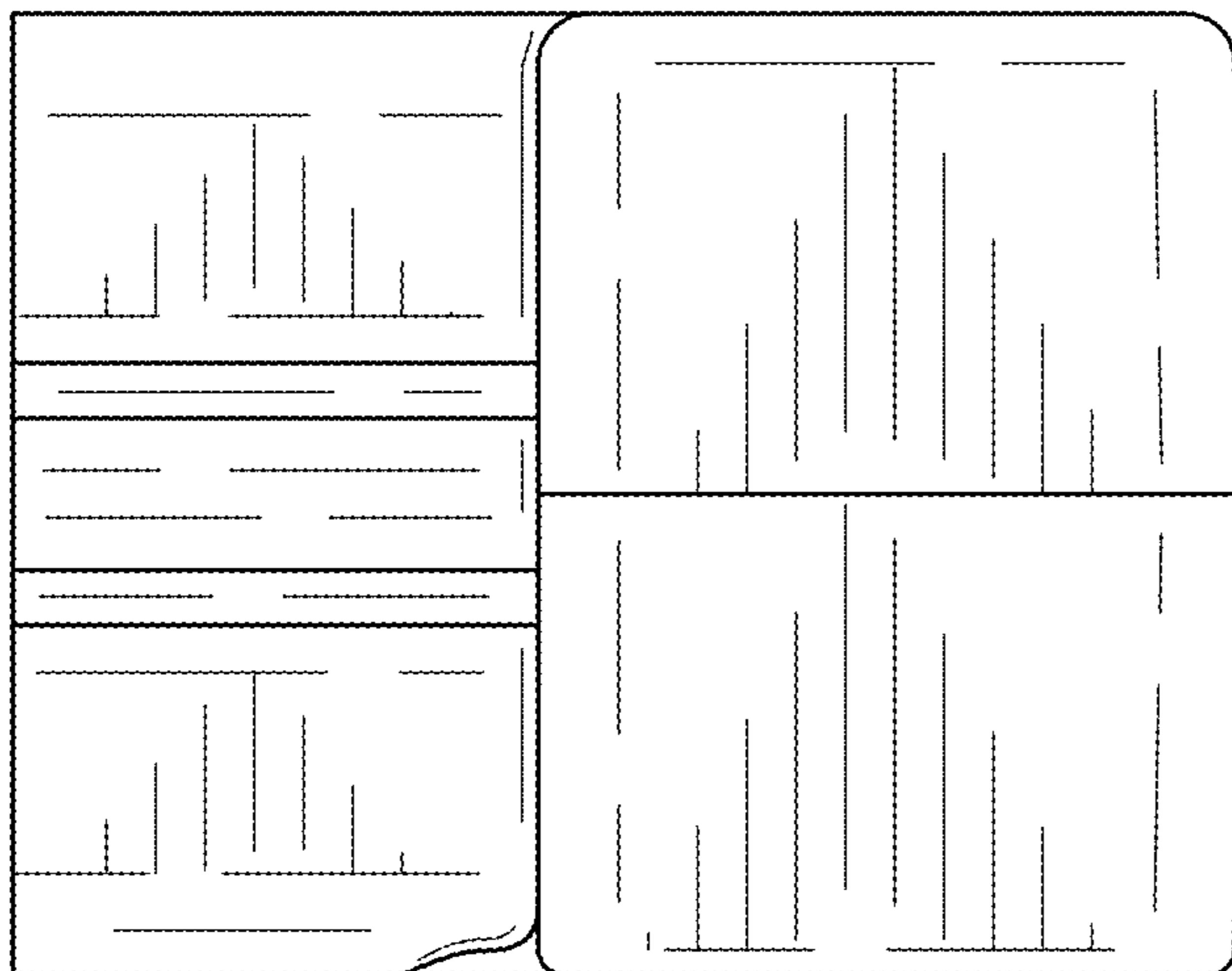
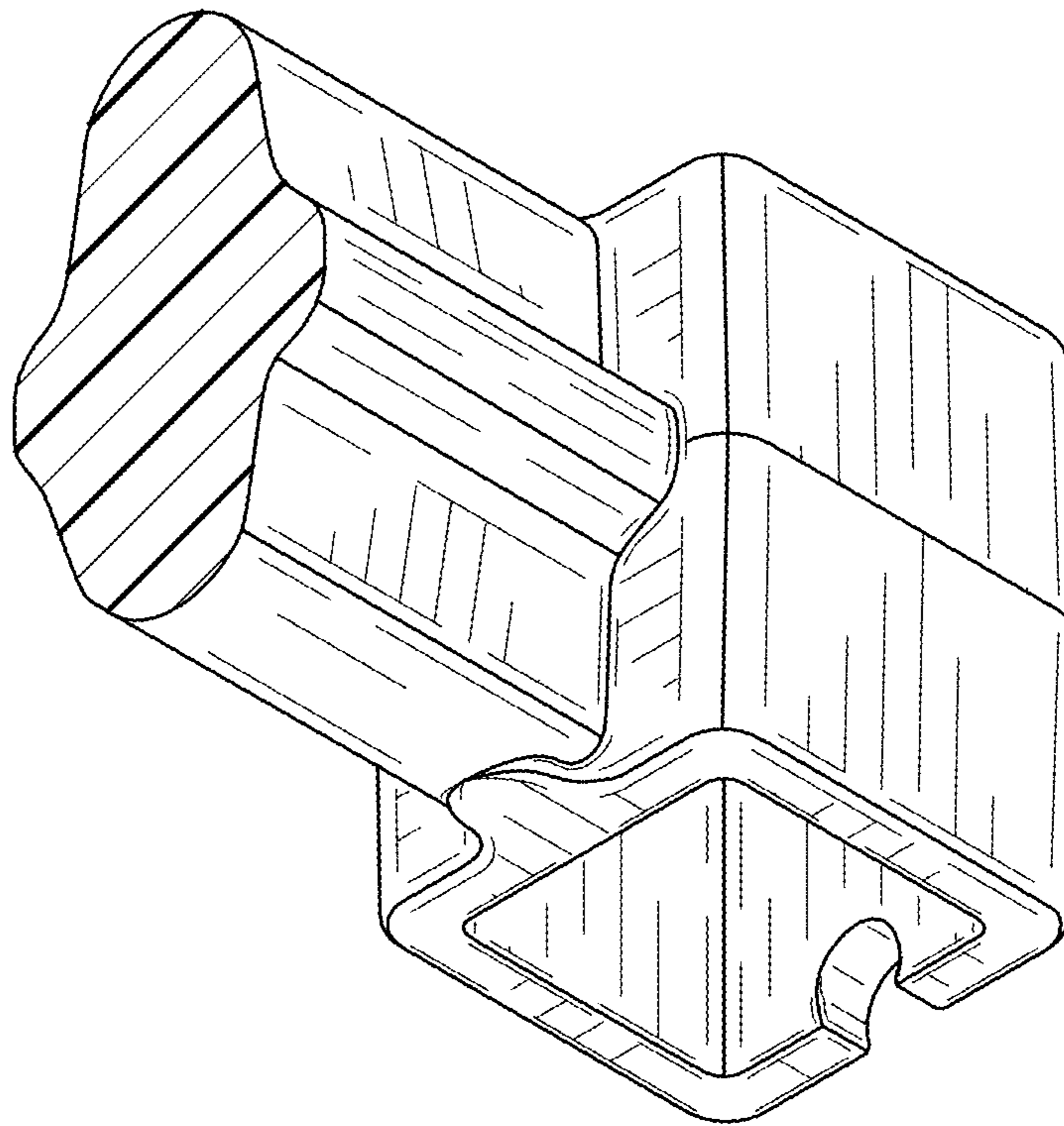


FIG. 2

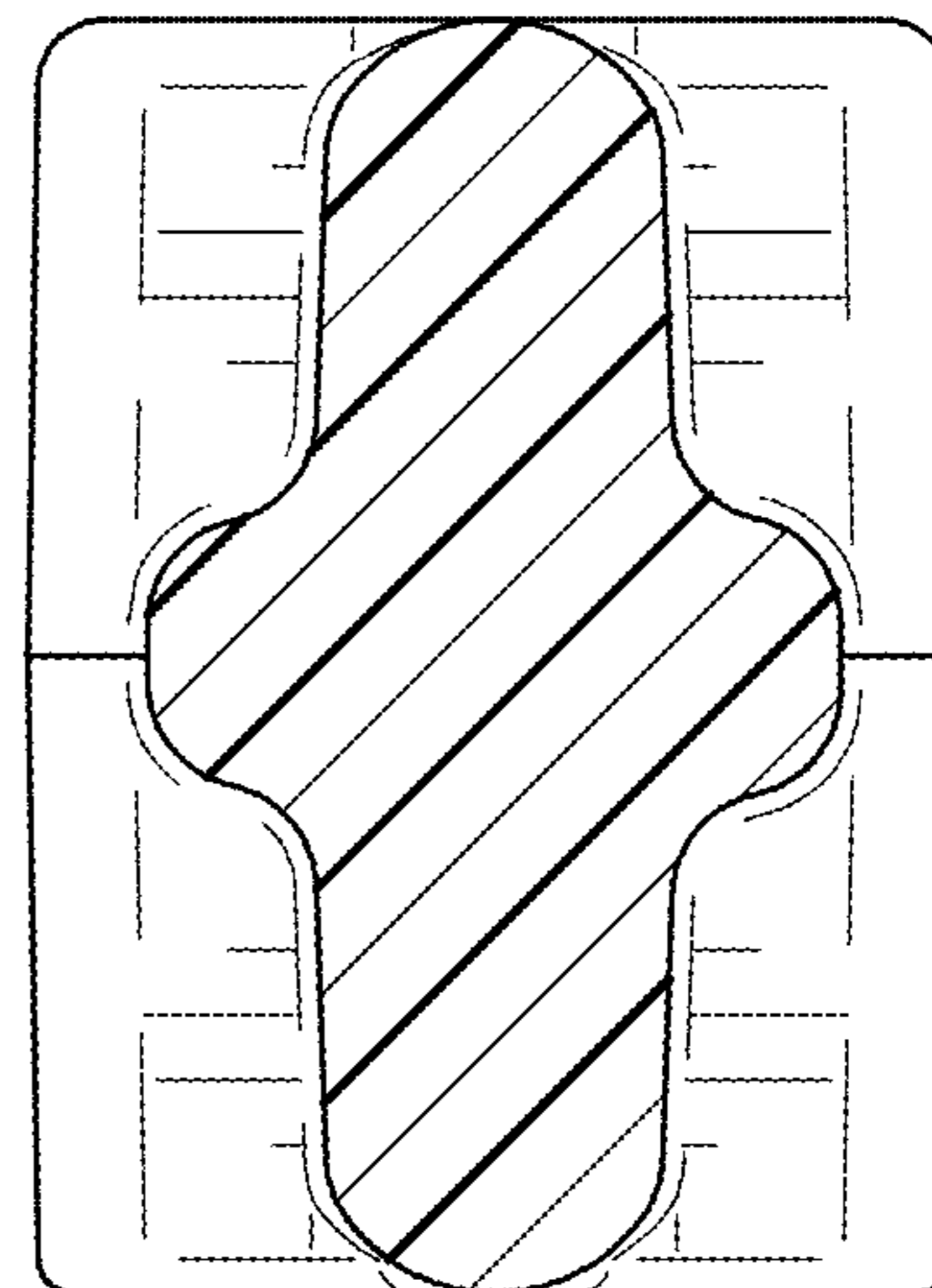


FIG. 3

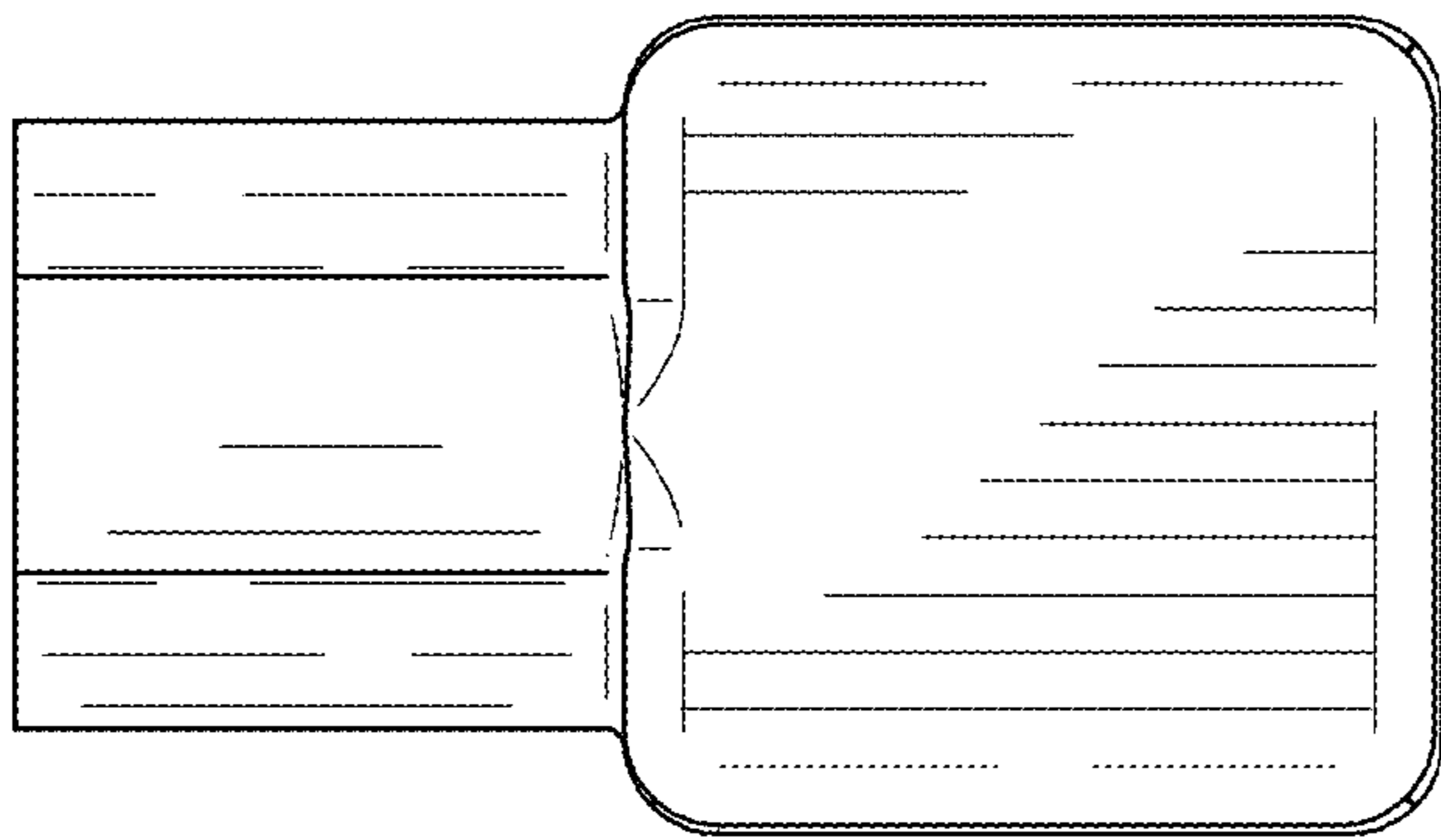


FIG. 4

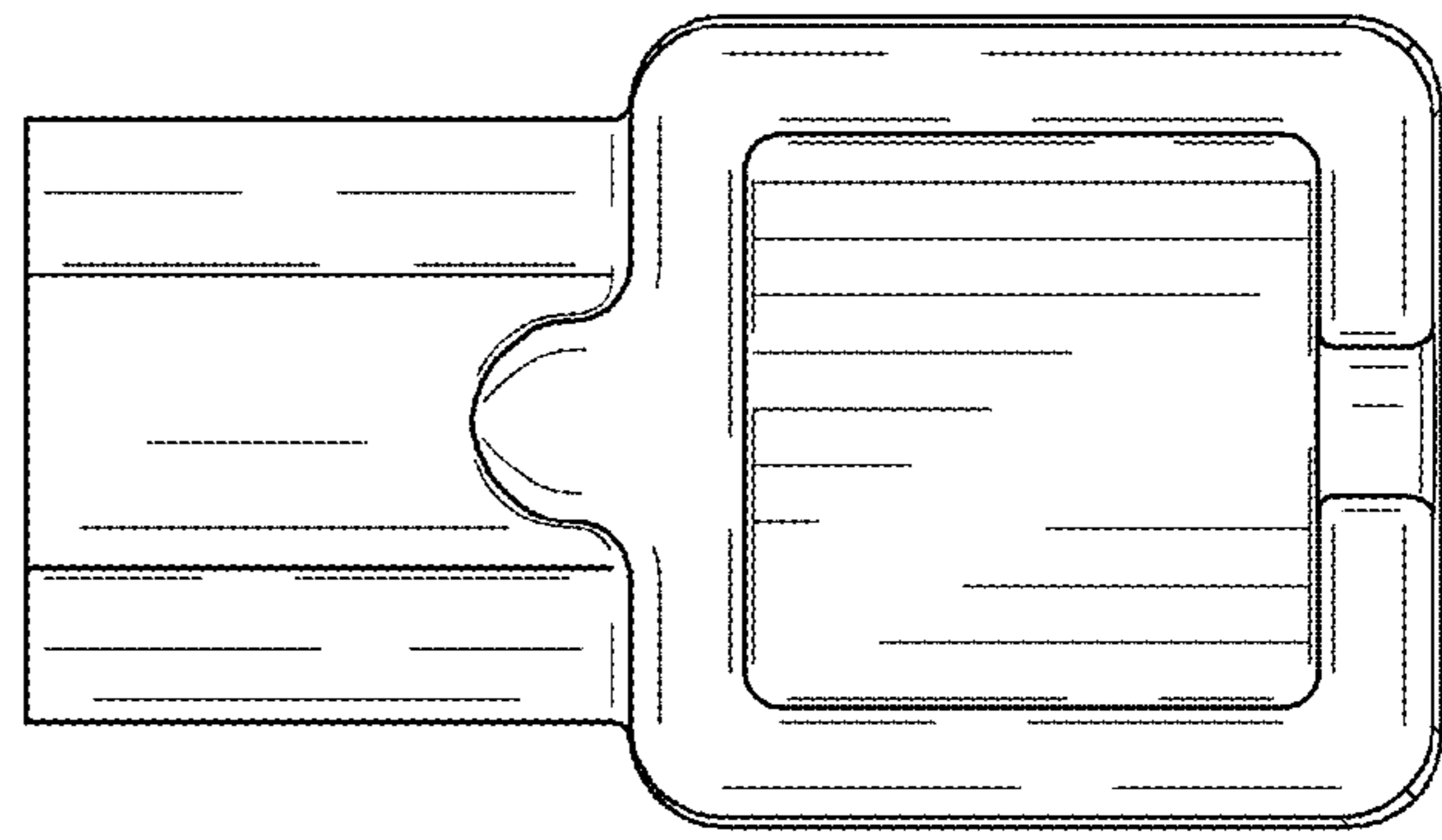


FIG. 5

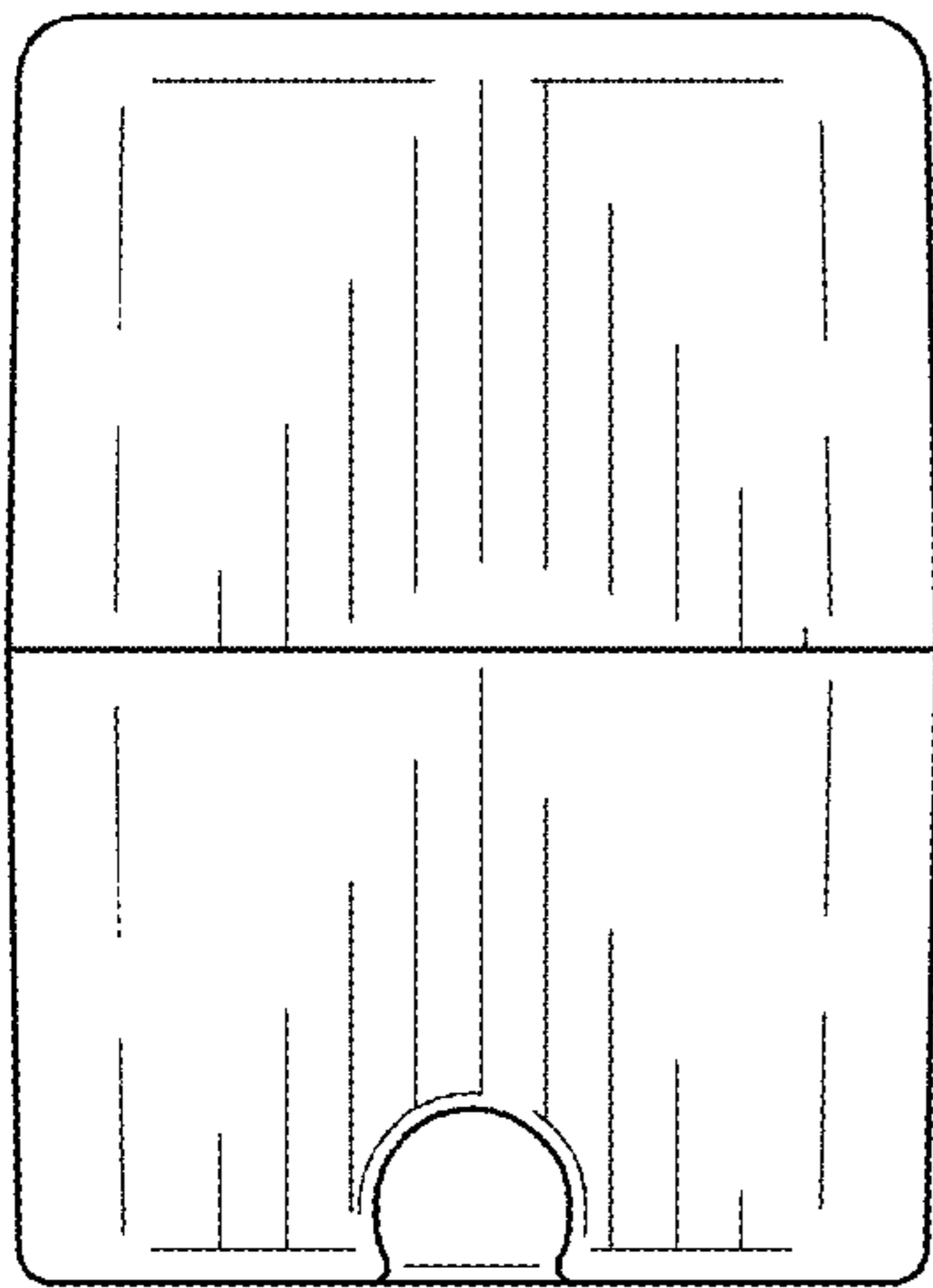


FIG. 6

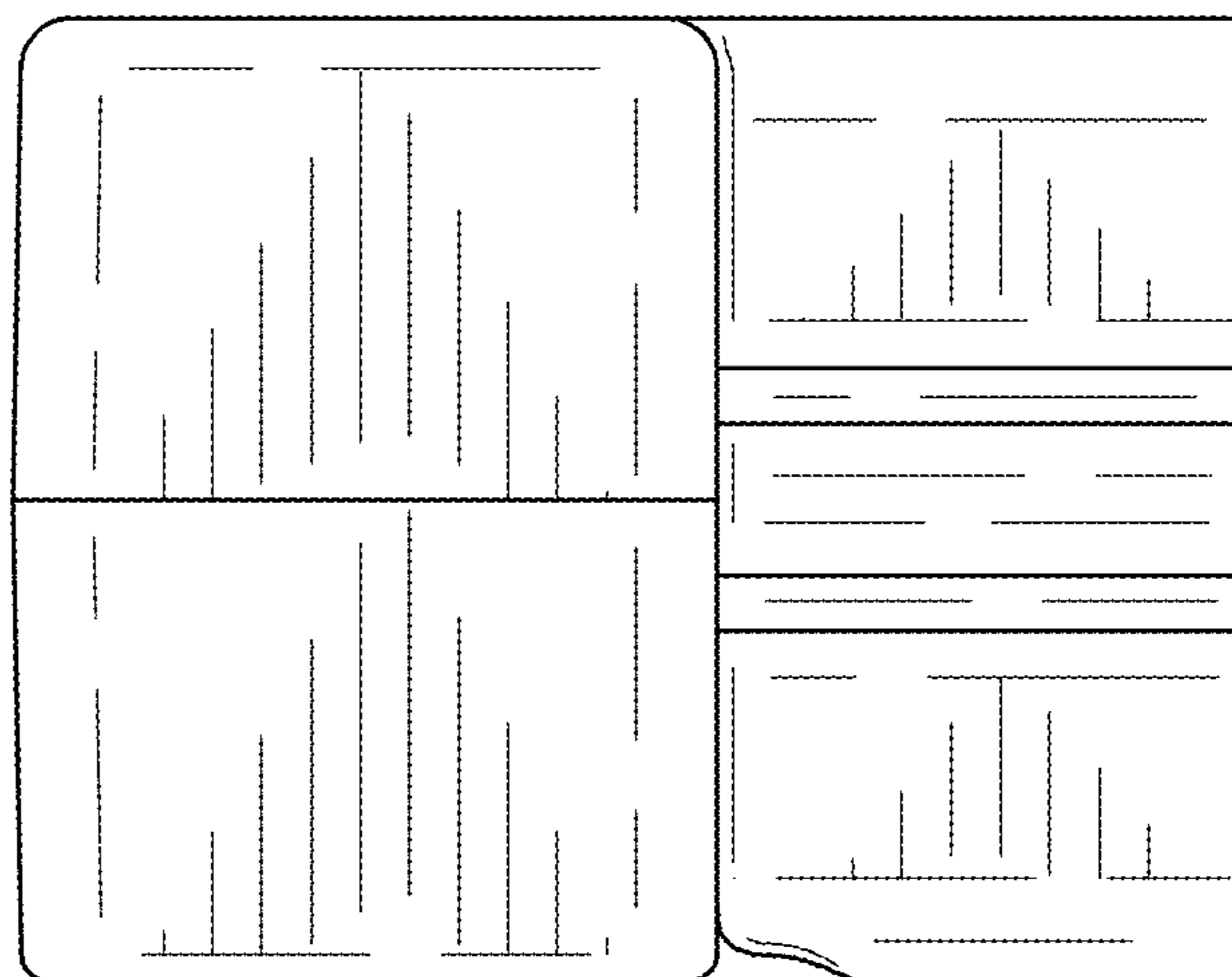


FIG. 7

FIG. 8

