



US00D937664S

(12) **United States Design Patent** (10) **Patent No.:** **US D937,664 S**
Brunskill (45) **Date of Patent:** **** Dec. 7, 2021**

(54) **TEMPLATE**
(71) Applicant: **John Kalamaras**, Irvine, CA (US)
(72) Inventor: **Ryan Brunskill**, Goodyear, AZ (US)
(**) Term: **15 Years**
(21) Appl. No.: **29/739,812**
(22) Filed: **Jun. 29, 2020**
(51) **LOC (13) Cl.** **08-05**
(52) **U.S. Cl.**
USPC **D8/354**
(58) **Field of Classification Search**
USPC D8/34, 354; D13/177, 156, 154, 152,
D13/139.1, 139.3, 137.2; D10/108, 109,
D10/123
CPC H02G 3/08; H02G 3/081; H02G 3/14;
H02G 3/123
See application file for complete search history.

D571,188 S * 6/2008 Brassard D8/354
D609,643 S * 2/2010 Oddsen D13/139.1
D658,131 S * 4/2012 Chen D13/156
8,247,693 B2 * 8/2012 Gober H02G 3/14
174/66
D684,146 S * 6/2013 Stifal D14/239
D684,147 S * 6/2013 Stifal D14/239
10,151,473 B1 * 12/2018 Olson H02G 3/10
D875,049 S * 2/2020 Stephens D13/139.3
D878,183 S * 3/2020 Trojanowski D8/353

* cited by examiner

Primary Examiner — Keli L Hill
Assistant Examiner — Harold E Blackwell, II
(74) *Attorney, Agent, or Firm* — Eric Hanscom

(57) **CLAIM**

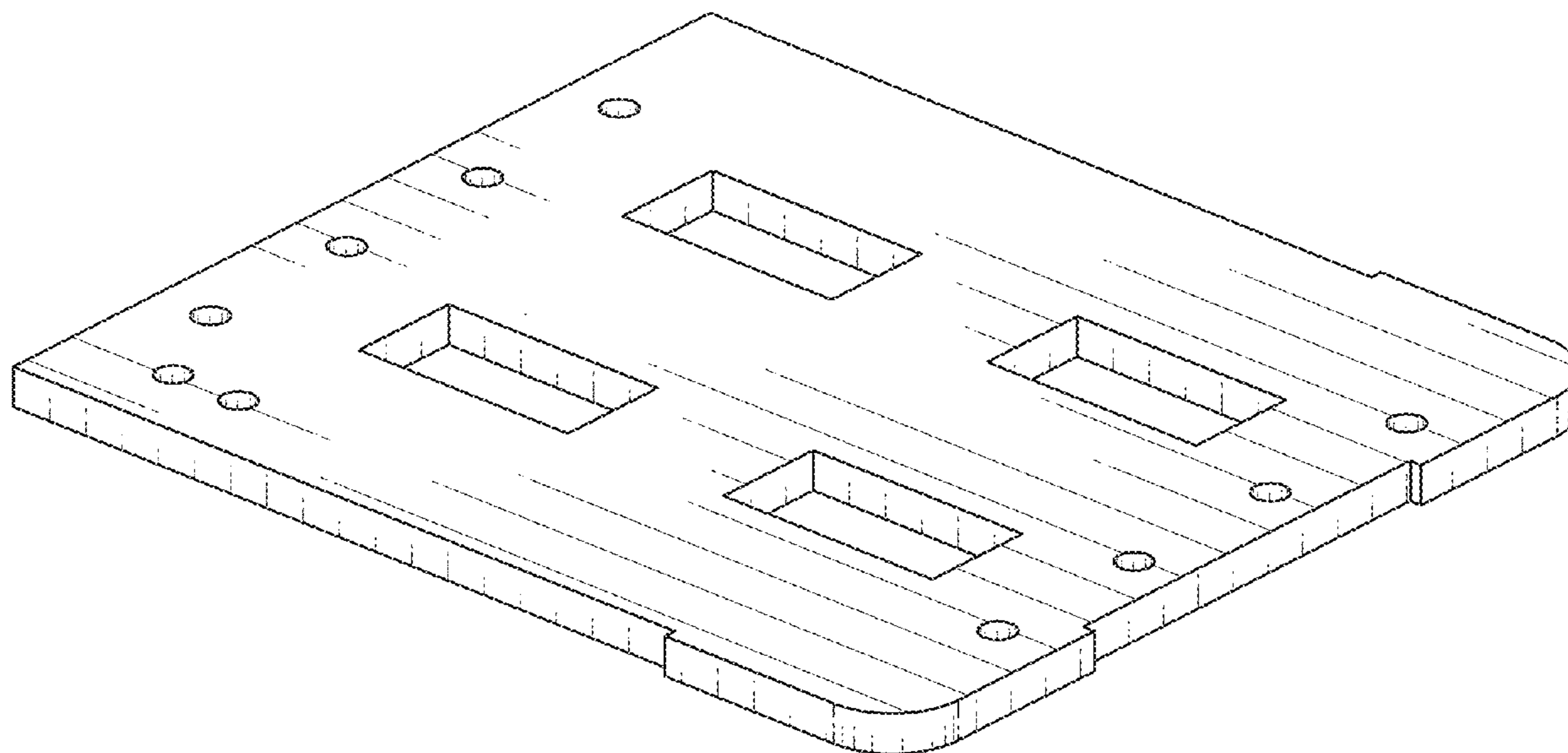
The ornamental design for a template, as shown and described.

DESCRIPTION

FIG. 1 is a perspective view of a template showing my new design;
FIG. 2 is a front view thereof;
FIG. 3 is a back view thereof;
FIG. 4 is a left-side view thereof;
FIG. 5 is a right-side view thereof;
FIG. 6 is a top view thereof; and,
FIG. 7 is a bottom view thereof.

1 Claim, 5 Drawing Sheets

(56) **References Cited**
U.S. PATENT DOCUMENTS
D350,530 S * 9/1994 Comerci D13/156
D402,186 S * 12/1998 Pearse D8/353
6,278,062 B1 * 8/2001 Sowdon H02G 3/14
174/66
D505,856 S * 6/2005 Kim D8/353
D542,628 S * 5/2007 Brassard D8/354
D561,560 S * 2/2008 McConnell D8/353



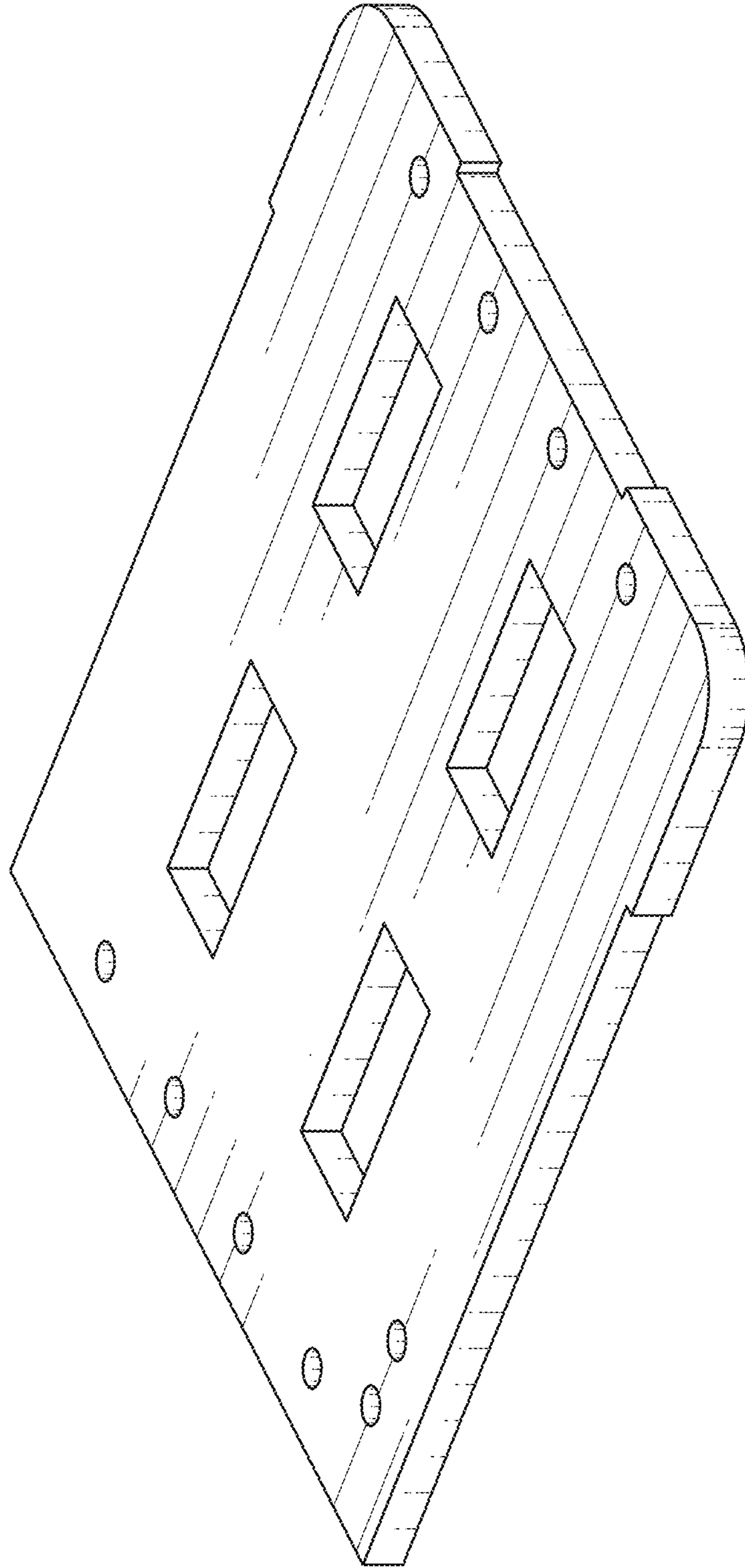


FIG. 1

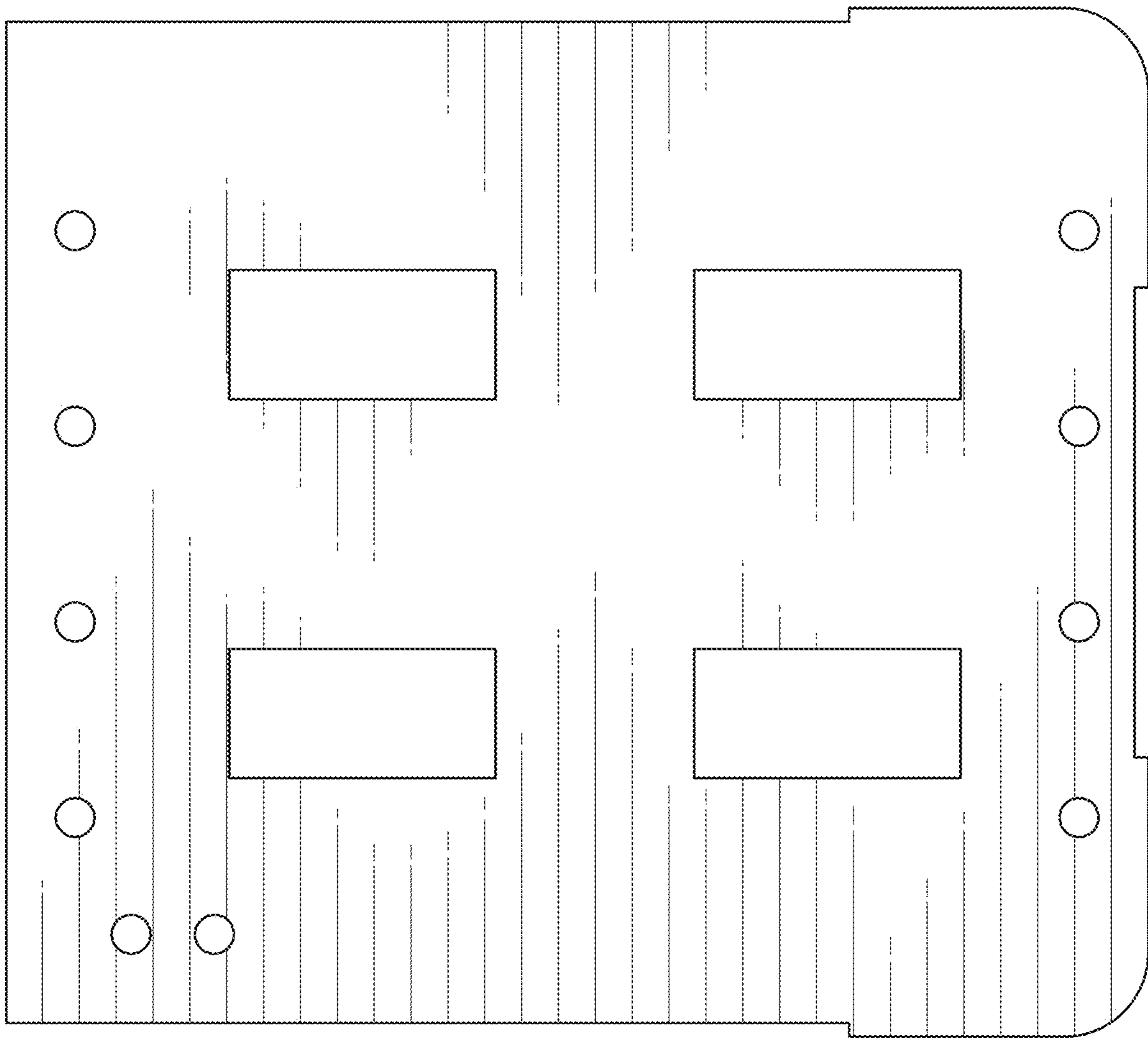


FIG. 2

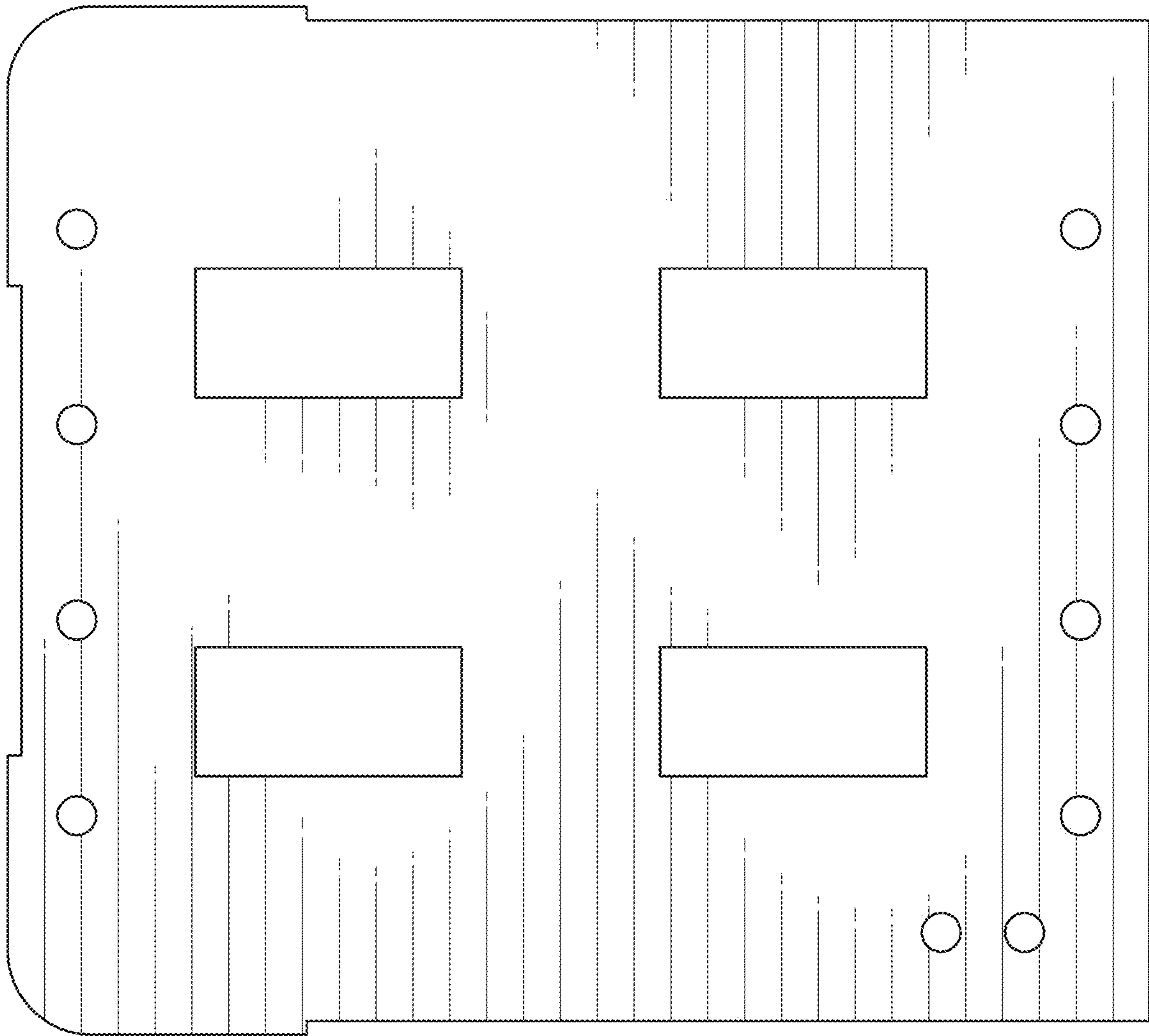


FIG. 3



FIG. 4



FIG. 5

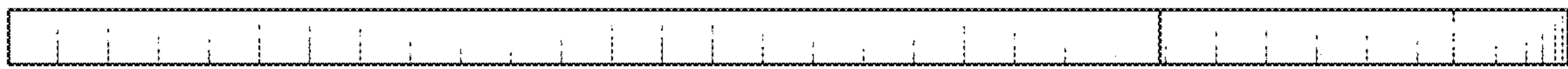


FIG. 6

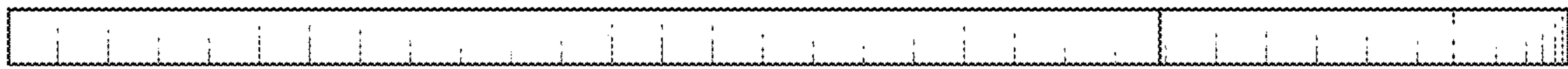


FIG. 7