

US00D937662S

(12) **United States Design Patent**
Huang et al.

(10) **Patent No.:** **US D937,662 S**

(45) **Date of Patent:** **** Dec. 7, 2021**

- (54) **KEY**
- (71) Applicant: **MAYAPPLE BABY LLC**, Brooklyn, NY (US)
- (72) Inventors: **Jianying Huang**, Brooklyn, NY (US);
Chris Hazzard, Brooklyn, NY (US);
Mingbo Zhang, Brooklyn, NY (US)
- (73) Assignee: **MAYAPPLE BABY LLC**, Brooklyn, NY (US)
- (**) Term: **15 Years**
- (21) Appl. No.: **29/607,800**
- (22) Filed: **Jun. 16, 2017**
- (51) **LOC (13) Cl.** **08-07**
- (52) **U.S. Cl.**
USPC **D8/347**
- (58) **Field of Classification Search**
USPC D8/330, 331-336, 337, 343, 344, 347;
340/542, 547, 545.1, 545.7;
292/301-304, 336.3, 358, 359; 70/57,
70/57.1, 14, 20-22, 91, 92, 102, 141,
70/237, 272.2, 278.1, 278.7, 279.1, 416,
70/465, 442, 443, 214, 447, 367;
D25/48.5
CPC . E05B 9/00; E05B 9/08; E05B 13/103; E05B
27/00; E05B 35/00; E05B 37/00; E05B
41/00; E05B 49/00; E05B 51/00; E05B
55/00; E05B 65/00; E05B 65/007; E05B
15/0093
See application file for complete search history.

(56) **References Cited**

U.S. PATENT DOCUMENTS

- D261,858 S * 11/1981 Lassiter D8/331
- D457,113 S * 5/2002 Zapushek D12/162

- D494,840 S * 8/2004 Senn D8/343
- 6,929,291 B2 * 8/2005 Chen E05C 19/16
292/251.5
- D587,558 S * 3/2009 Sarnowski D8/301
- D662,392 S * 6/2012 Main D8/330
- D667,286 S * 9/2012 Wu D8/330
- D836,431 S * 12/2018 Frost D8/396
- D837,034 S * 1/2019 Huang D8/331
- 2004/0083783 A1 * 5/2004 Brandalise A44B 15/005
70/456 R
- 2009/0211316 A1 * 8/2009 Butler E05B 43/00
70/16
- 2010/0043508 A1 * 2/2010 Burmesch B60D 1/60
70/431
- 2010/0319418 A1 * 12/2010 Piron E05B 47/0045
70/276
- 2012/0125057 A1 * 5/2012 Mahaffey E05B 73/0005
70/14
- 2012/0260704 A1 * 10/2012 Ferreira S Nchez
E05B 47/0642
70/431

(Continued)

Primary Examiner — Manpreet S Matharu

Assistant Examiner — Yolanda Robinson

(74) *Attorney, Agent, or Firm* — Fox Rothschild LLP

(57) **CLAIM**

The ornamental design for a key, as shown and described.

DESCRIPTION

FIG. 1 is a perspective view of an embodiment of a key according to our new design;

FIG. 2 is a front view of the key of FIG. 1;

FIG. 3 is a rear view of key of FIG. 1;

FIG. 4 is a bottom view of the key of FIG. 1;

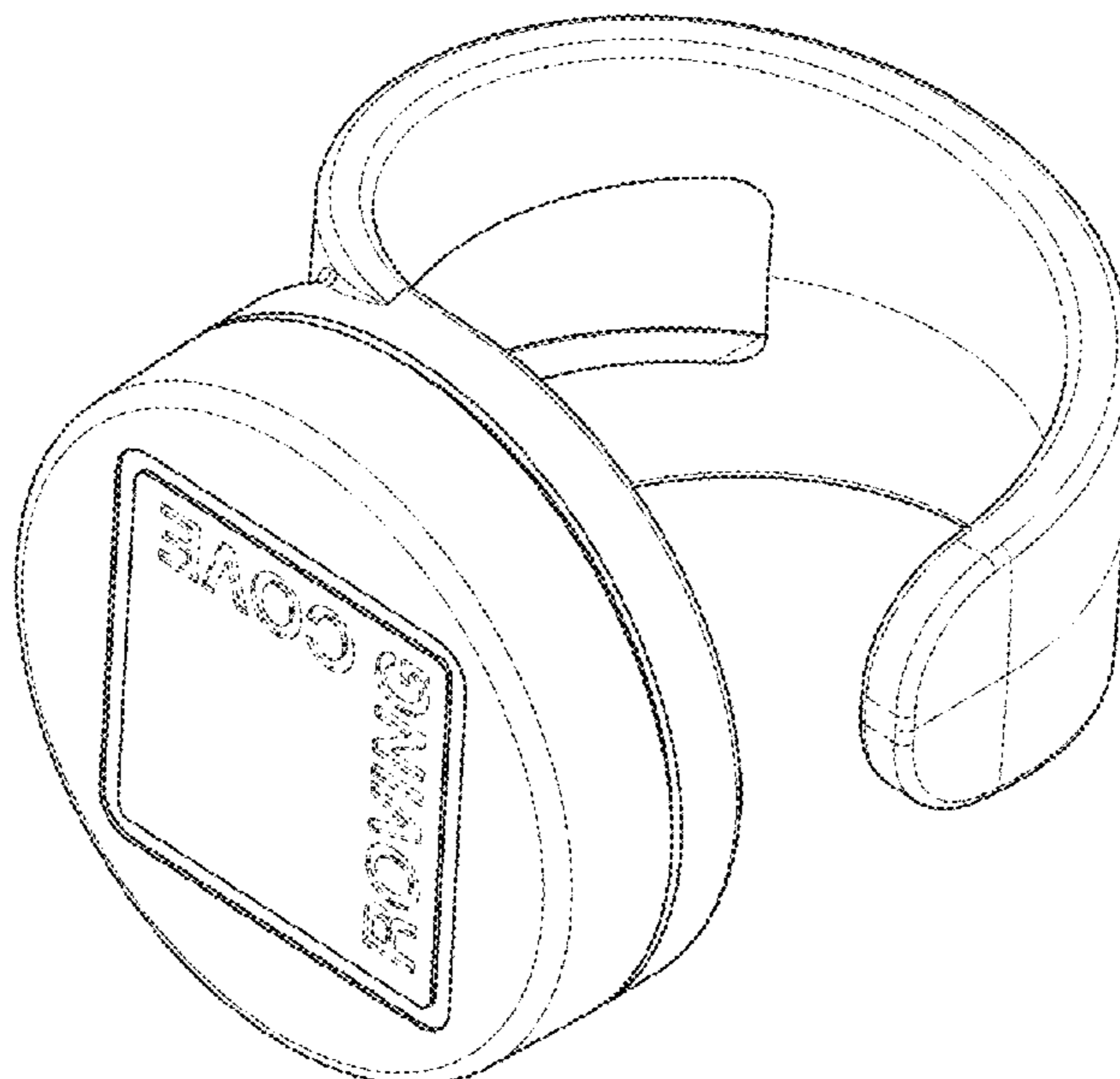
FIG. 5 is a top view of the key of FIG. 1;

FIG. 6 is a side view of the key of FIG. 1; and,

FIG. 7 is an opposite side view of the key of FIG. 1.

The broken lines shown are for the purpose of illustrating portions of the key that form no part of the claimed design.

1 Claim, 7 Drawing Sheets



(56)

References Cited

U.S. PATENT DOCUMENTS

2014/0075728 A1* 3/2014 George E05B 63/0065
29/401.1
2015/0007625 A1* 1/2015 Hykamp A44B 5/002
70/393
2016/0052489 A1* 2/2016 Kiso B60R 25/02131
70/237
2016/0163233 A1* 6/2016 Favier E05B 73/0029
70/57.1
2018/0363328 A1* 12/2018 Huang E05B 65/0014

* cited by examiner

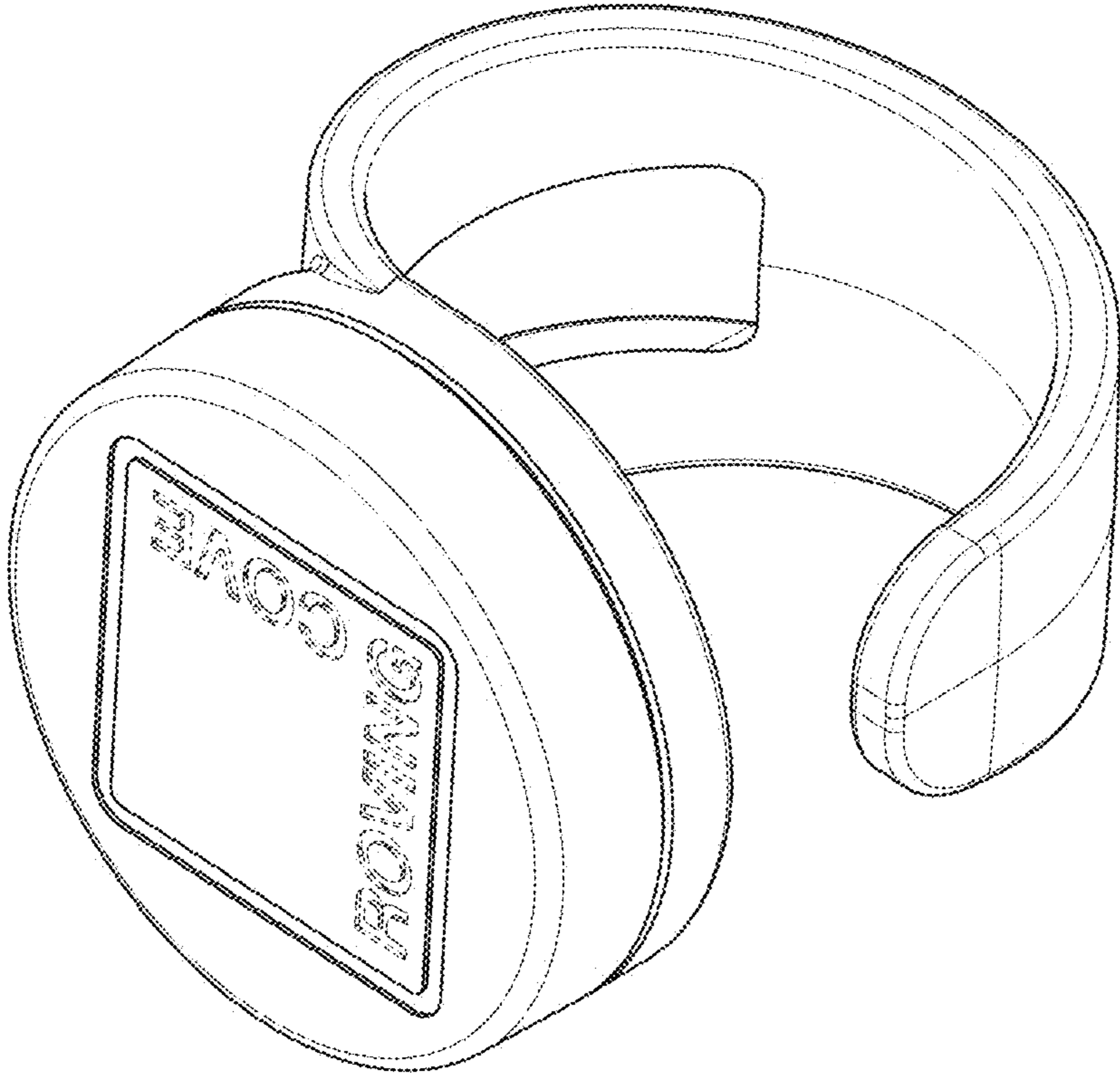


FIG. 1

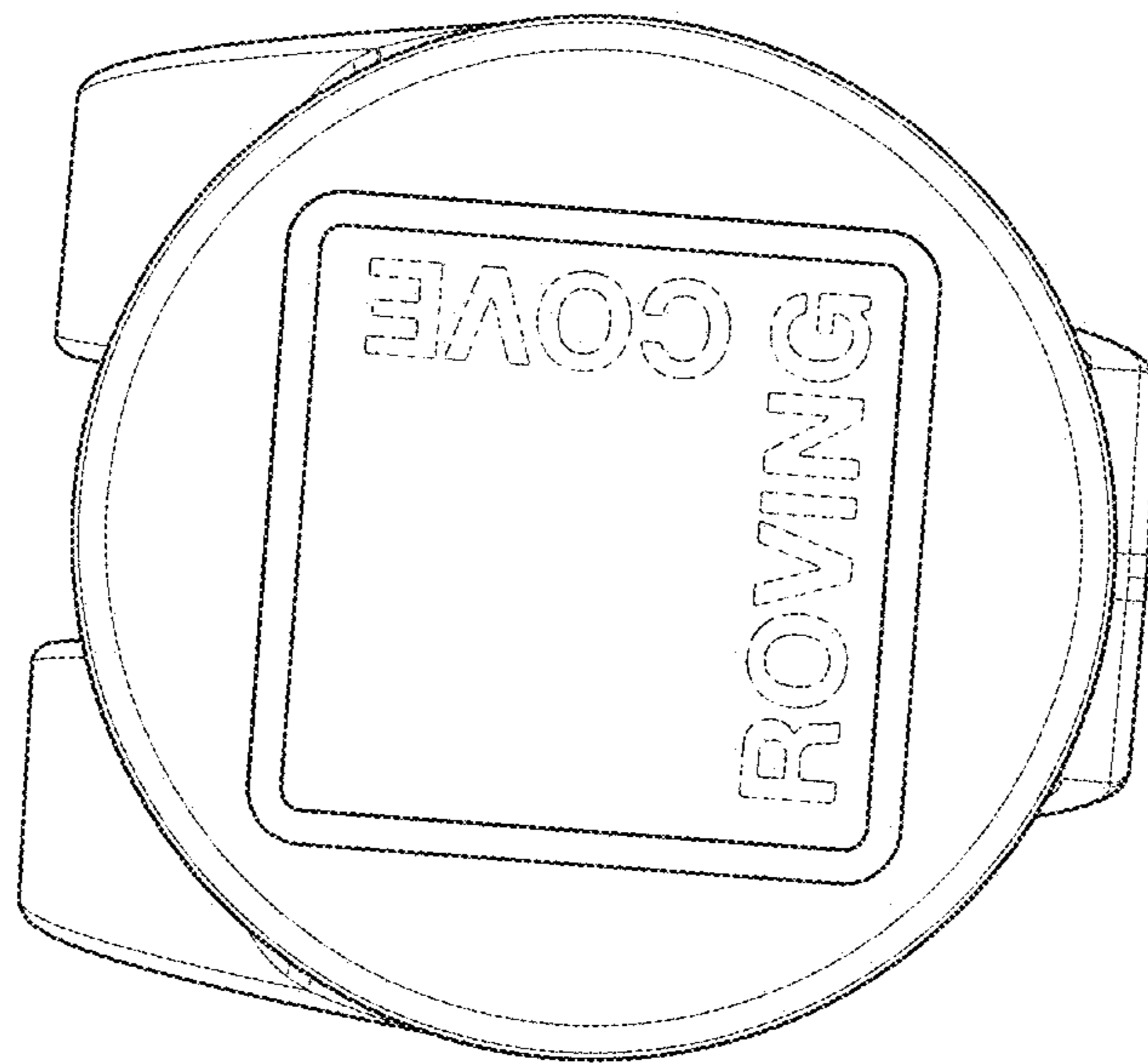


FIG. 2

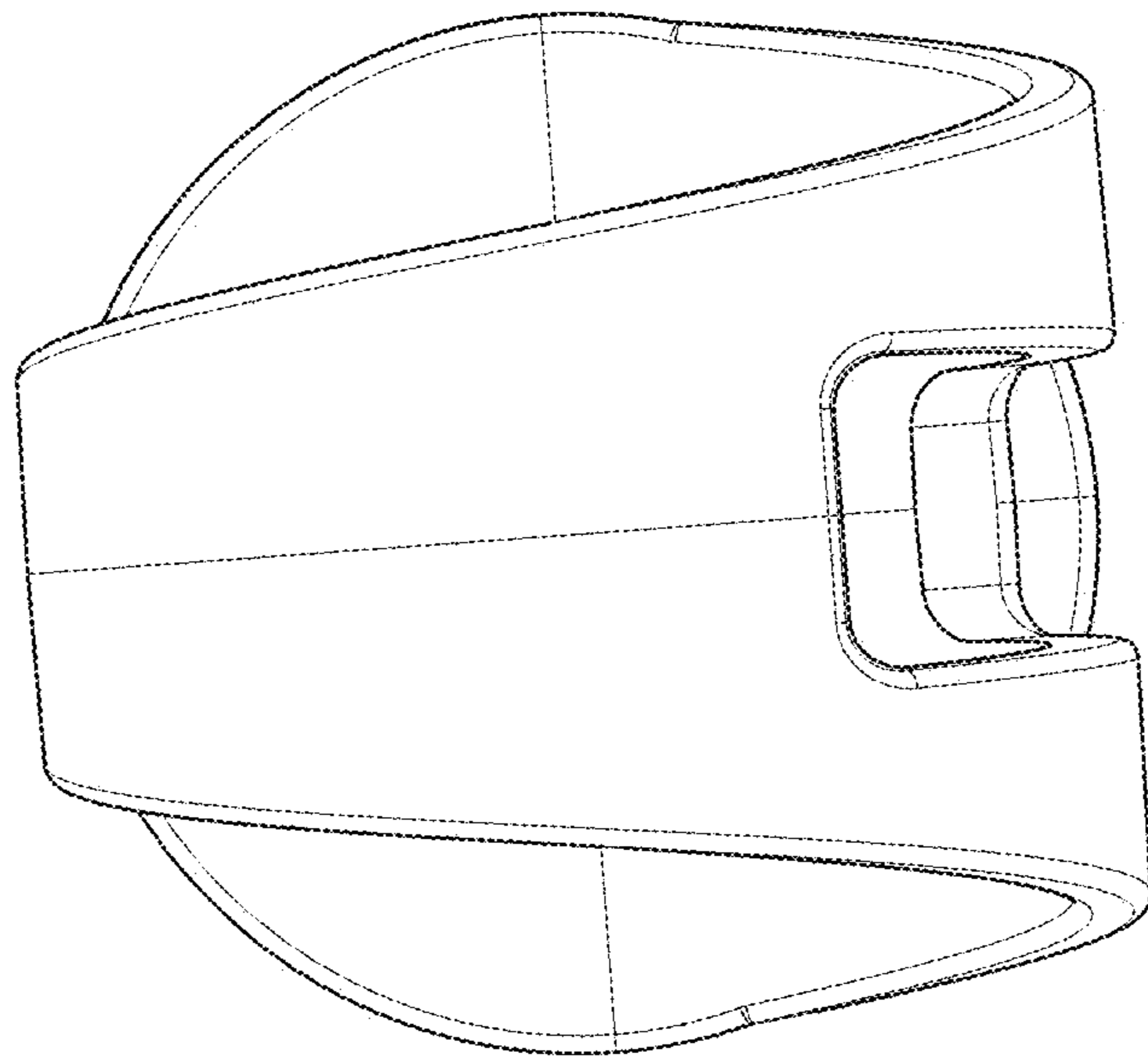


FIG. 3

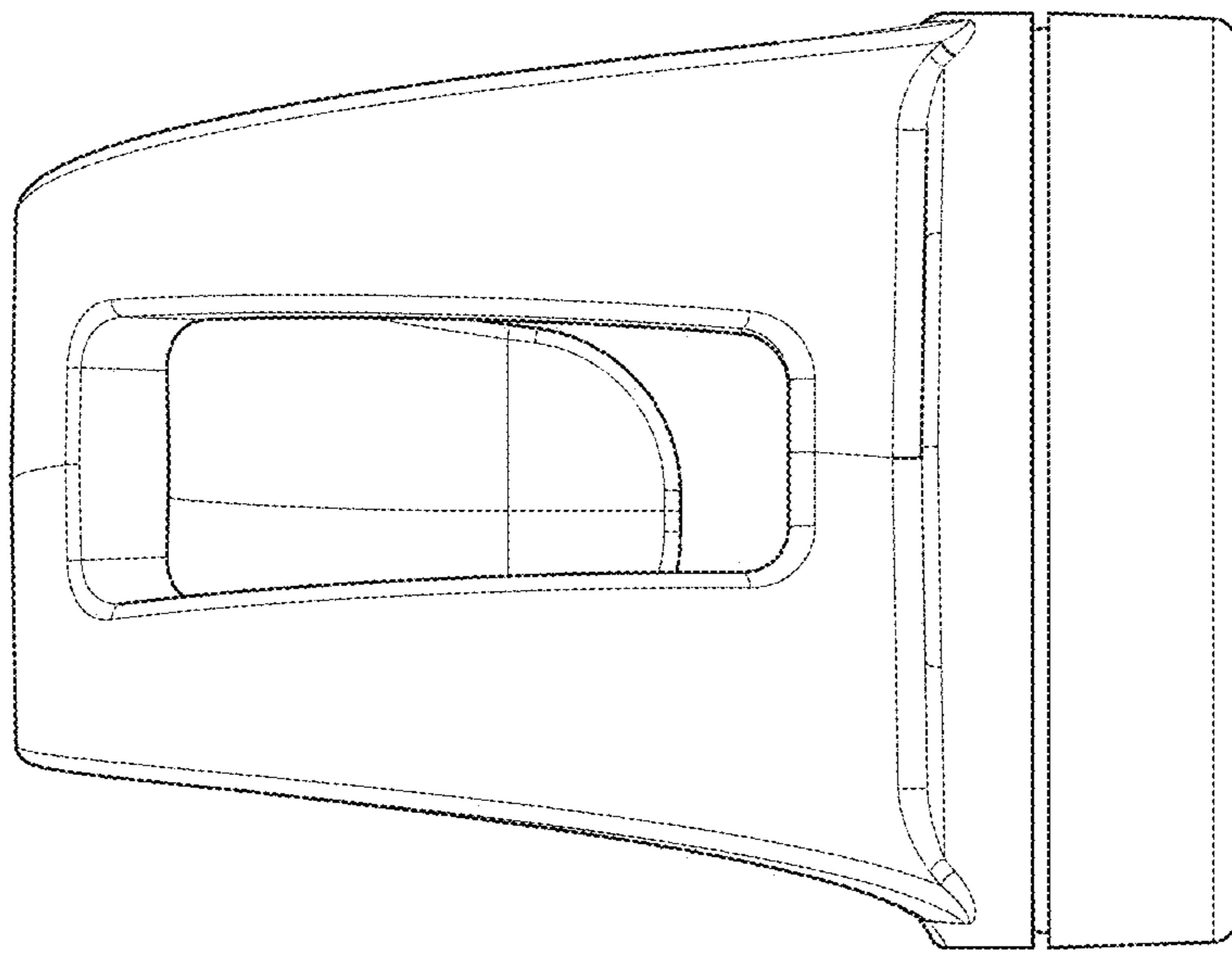


FIG. 4

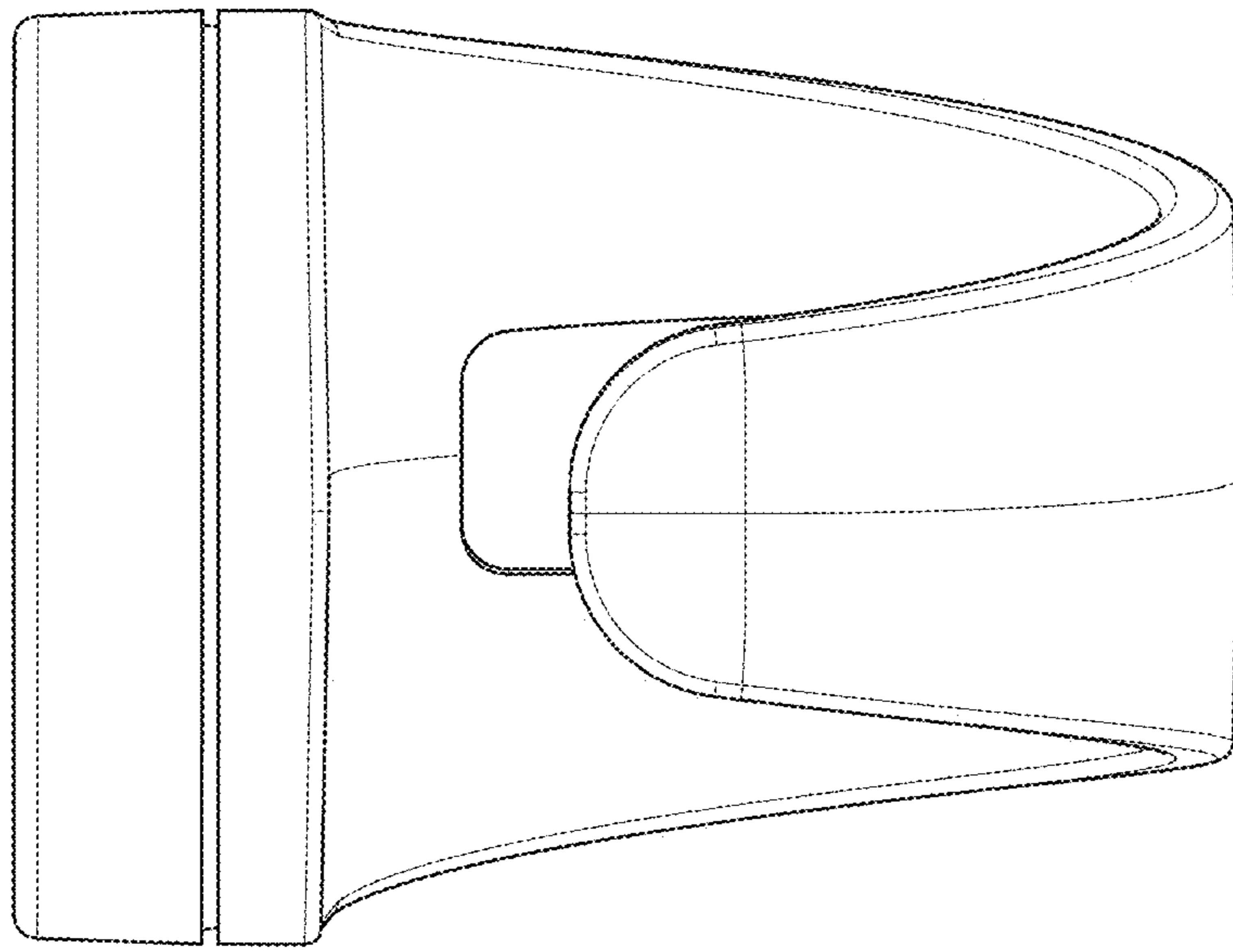


FIG. 5

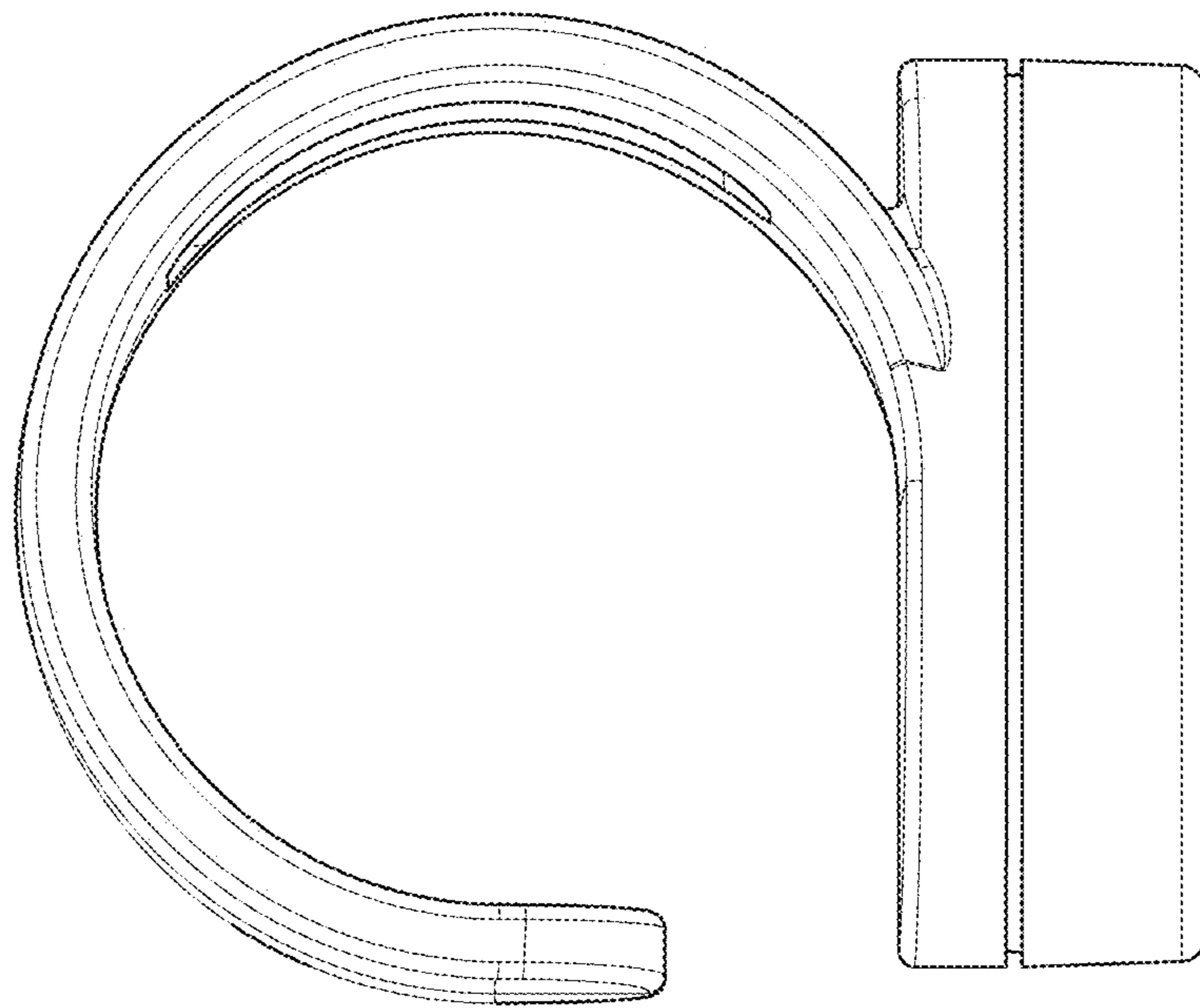


FIG. 6

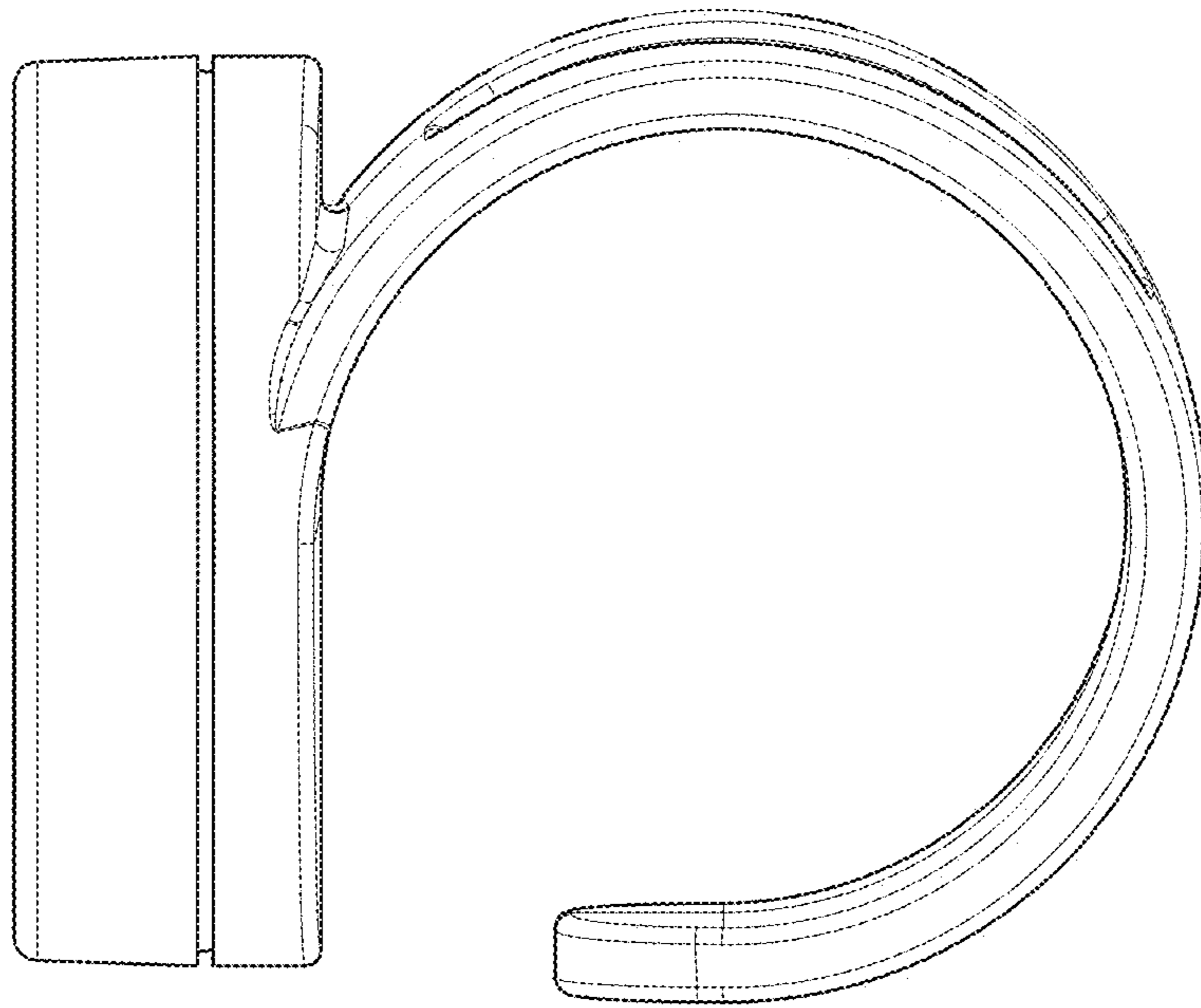


FIG. 7