



US00D937661S

(12) **United States Design Patent** (10) **Patent No.:** **US D937,661 S**
Marsden (45) **Date of Patent:** **** Dec. 7, 2021**

(54) **CATCH**
(71) Applicant: **Elbee Pty Ltd.**, Bondi Junction (AU)
(72) Inventor: **Andrew Marsden**, Hingham, MA (US)
(73) Assignee: **Elbee Pty Ltd.**, Bondi Junction (AU)
(**) Term: **15 Years**

(21) Appl. No.: **29/724,089**
(22) Filed: **Feb. 12, 2020**
(51) **LOC (13) Cl.** **08-07**
(52) **U.S. Cl.**
USPC **D8/343**
(58) **Field of Classification Search**
USPC D8/330, 331, 343
CPC .. E05B 65/0014; E05B 13/00; Y10T 292/297;
Y10T 292/299; Y10T 292/301; Y10T
292/304; Y10T 292/305; E05C 19/02;
E05C 19/04
See application file for complete search history.

(56) **References Cited**
U.S. PATENT DOCUMENTS
3,151,900 A * 10/1964 Ahlgren E05C 19/04
292/75
7,111,360 B1 * 9/2006 Hsu E05C 19/04
16/85
D607,304 S * 1/2010 Stuckey D8/331
D685,251 S * 7/2013 Porat D8/343
D775,509 S 1/2017 Marsden
D800,534 S 10/2017 Marsden
D837,034 S * 1/2019 Huang D8/331

D842,680 S * 3/2019 Huang D8/330
10,837,202 B2 * 11/2020 Andersen E05B 65/46
2007/0069526 A1 * 3/2007 Hsu E05C 19/04
292/252
2015/0040348 A1 * 2/2015 Header E05C 17/46
16/82

OTHER PUBLICATIONS

[No Author Listed] Product listing for Dreambaby Safety Catches—2 Pack. Dreambaby. <https://www.dream-baby.com/home-safety/locks-latches/1-safety-catches-2-pack.html>. Product publicly available at least as early as Feb. 11, 2019, 3 pages.

* cited by examiner

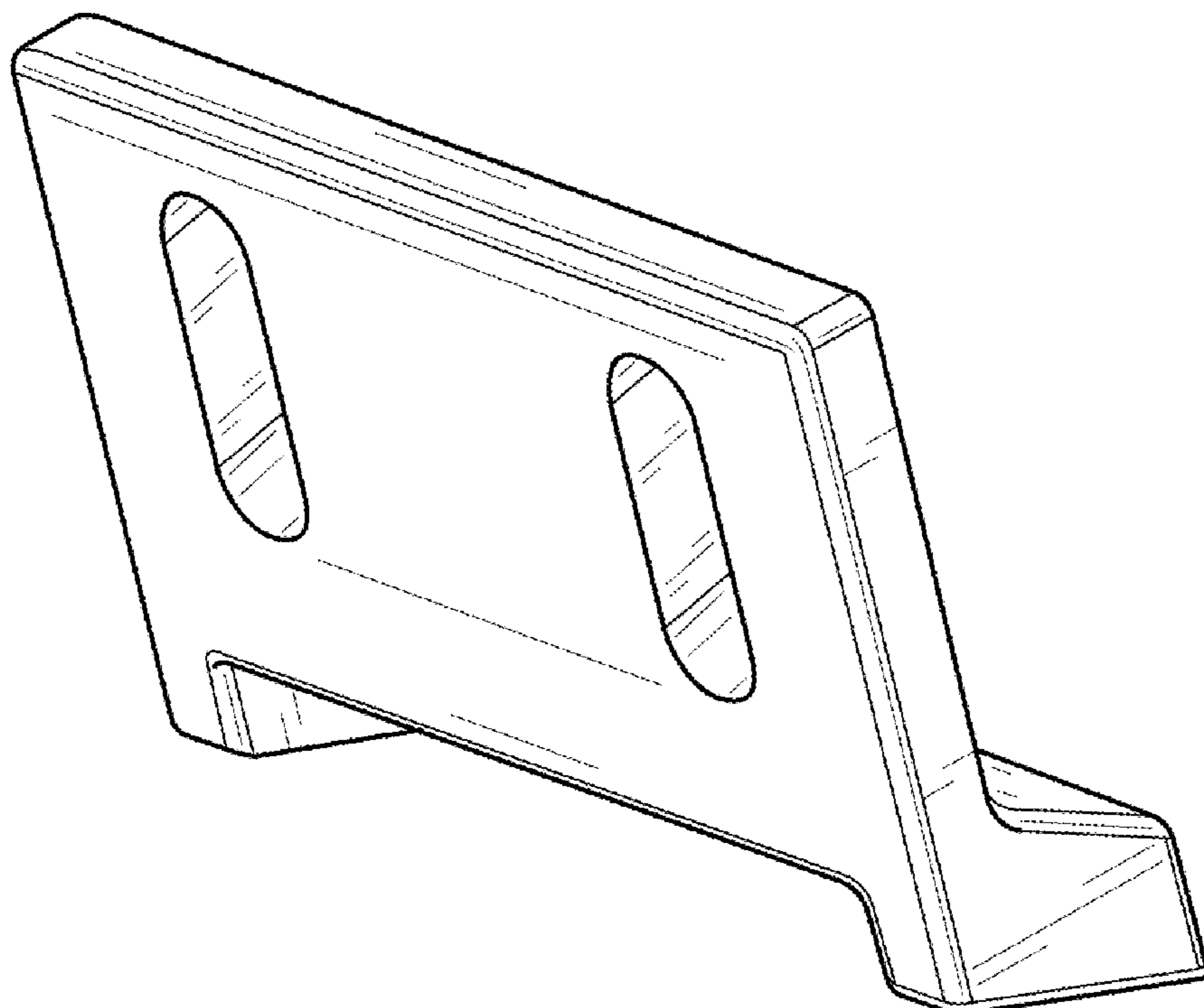
Primary Examiner — Doris Clark
(74) *Attorney, Agent, or Firm* — Wolf, Greenfield & Sacks, P.C.

(57) **CLAIM**
The ornamental design for a catch, as shown and described.

DESCRIPTION

FIG. 1 is a top, rear, right side perspective view of a catch according to my new design;
FIG. 2 is a top plan view thereof;
FIG. 3 is a bottom plan view thereof;
FIG. 4 is a left side elevation view thereof;
FIG. 5 is a right side elevation view thereof;
FIG. 6 is a rear elevation view thereof;
FIG. 7 is front elevation view thereof; and,
FIG. 8 is a top, front, and right side perspective view thereof.

1 Claim, 8 Drawing Sheets



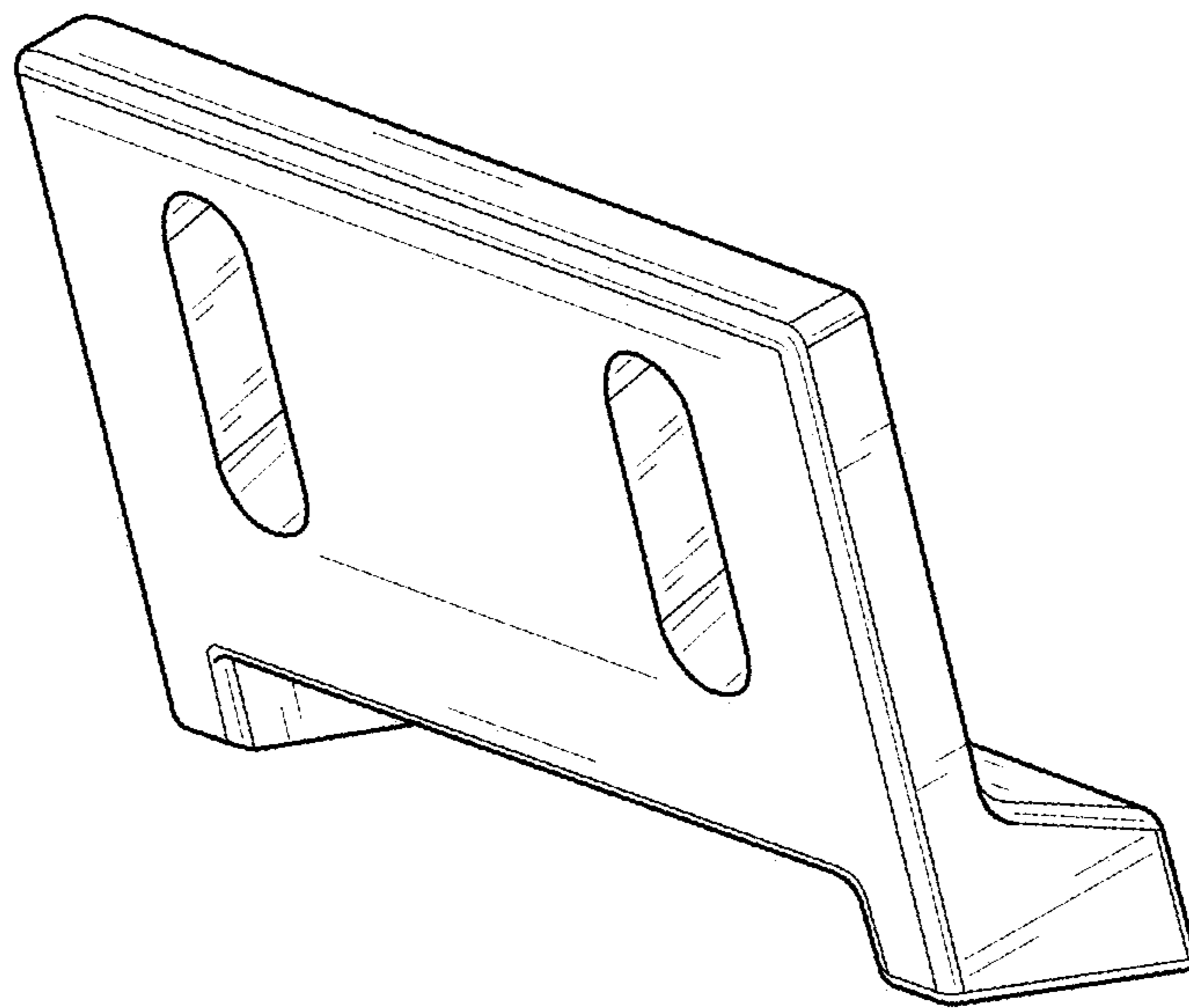


FIG. 1

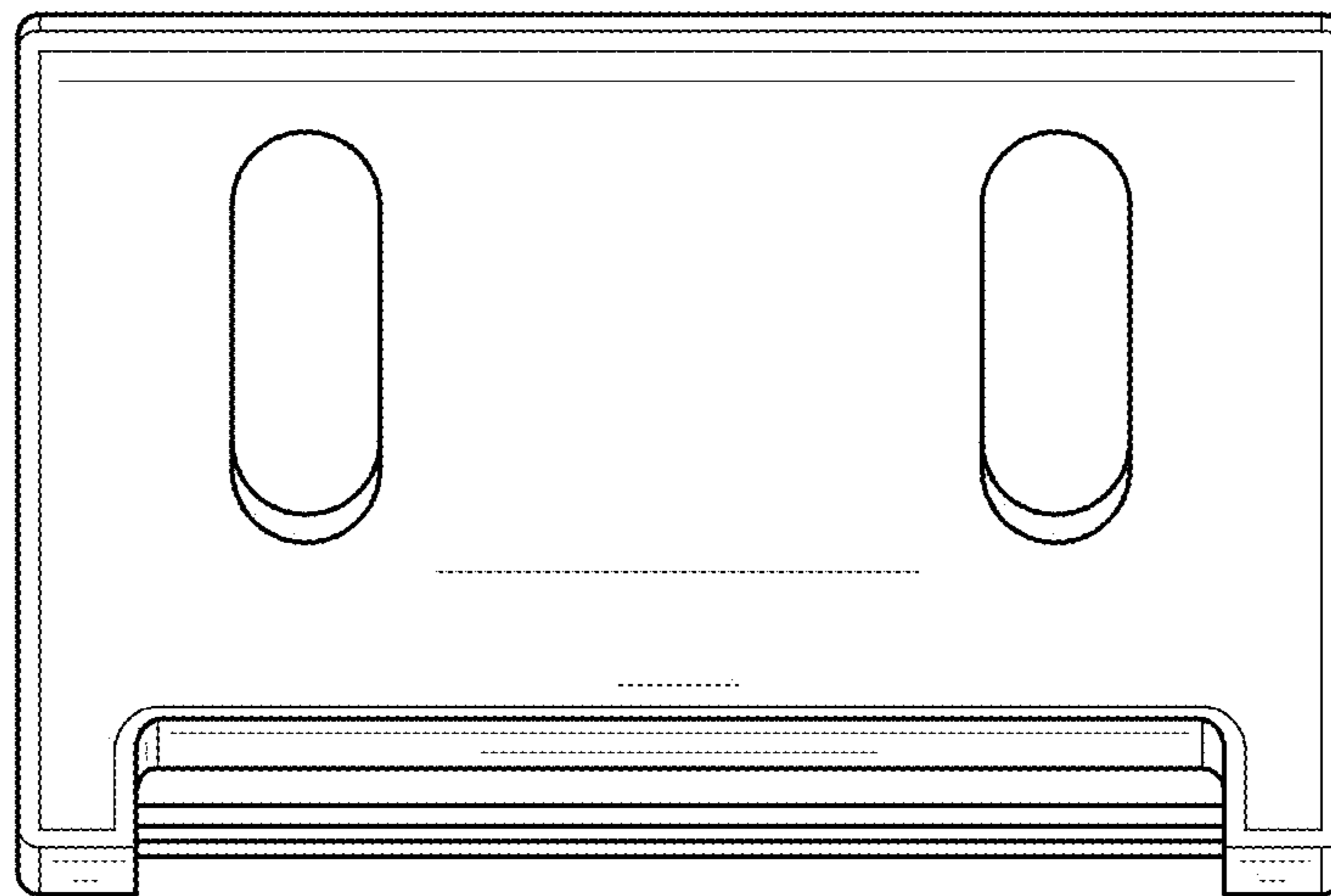


FIG. 2

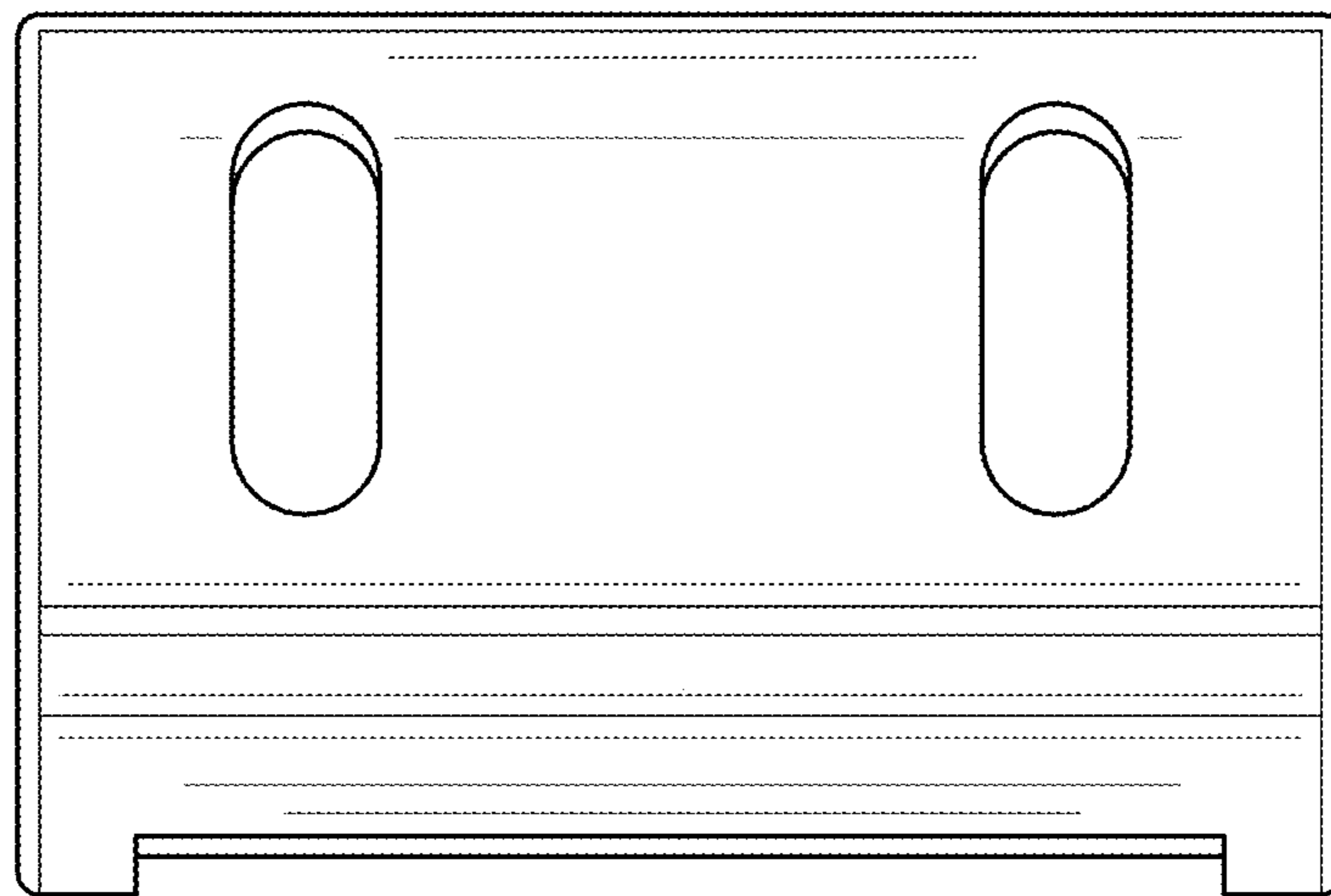


FIG. 3

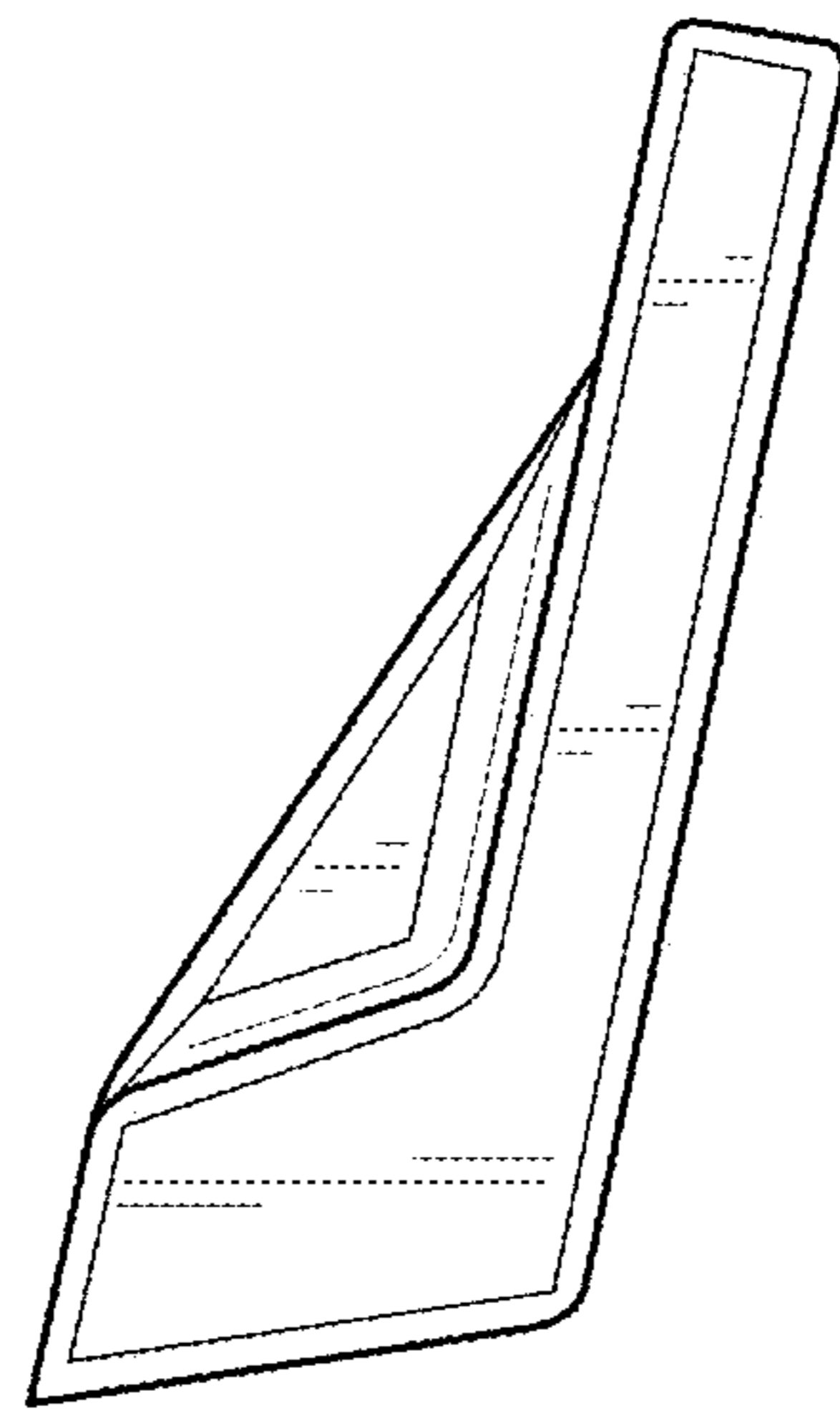


FIG. 4

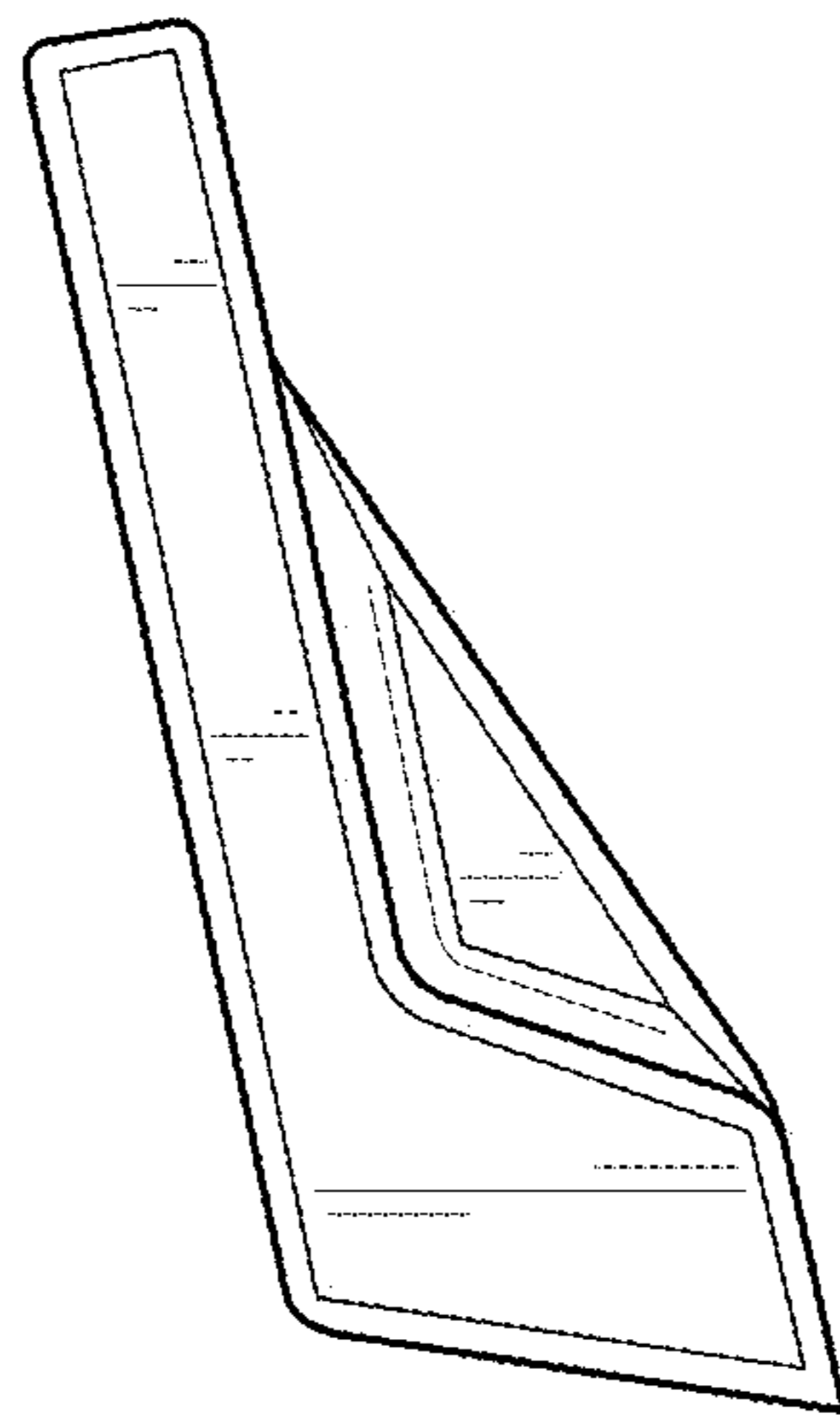


FIG. 5

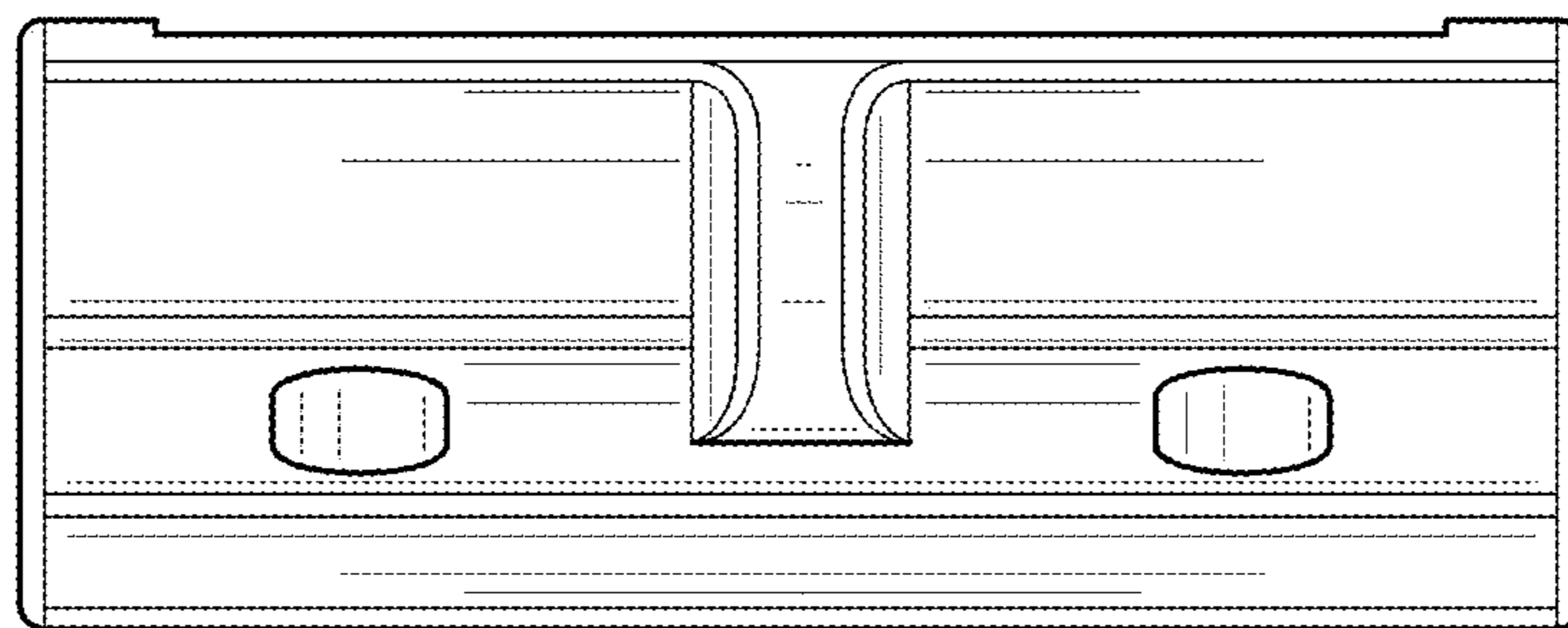


FIG. 6

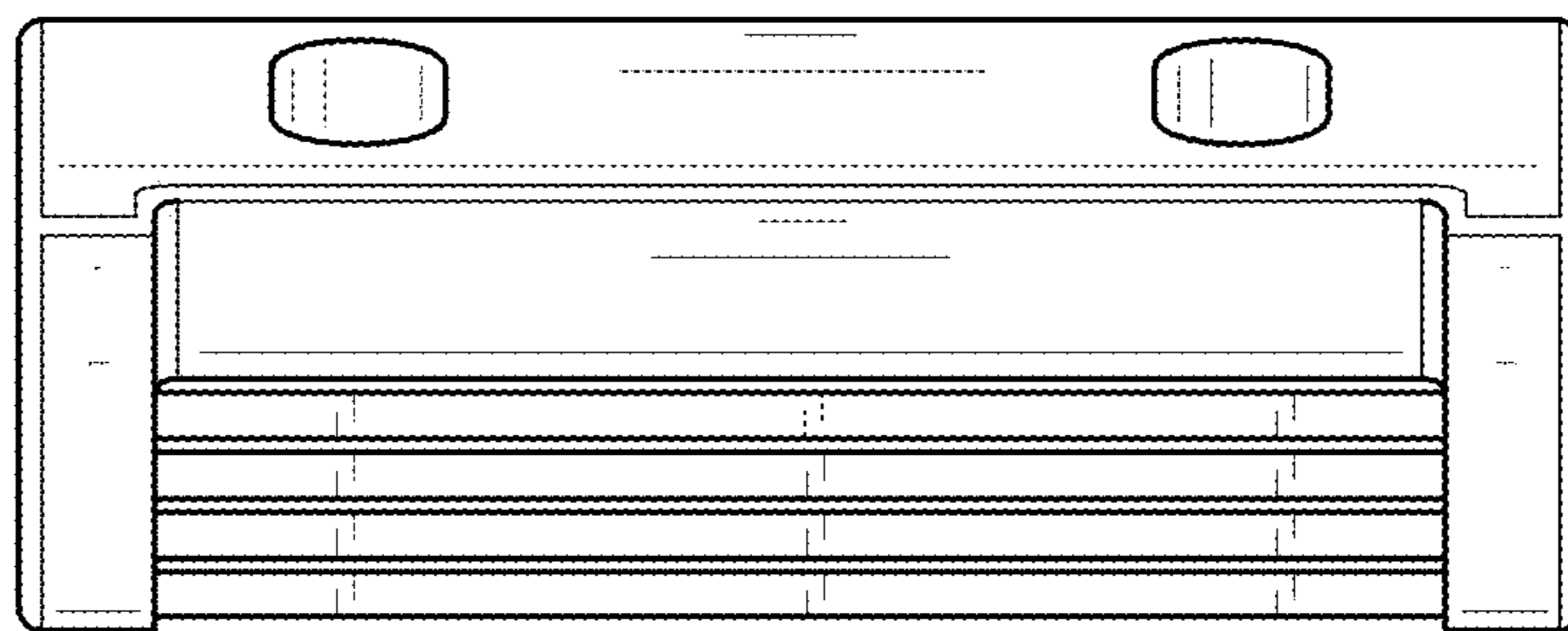


FIG. 7

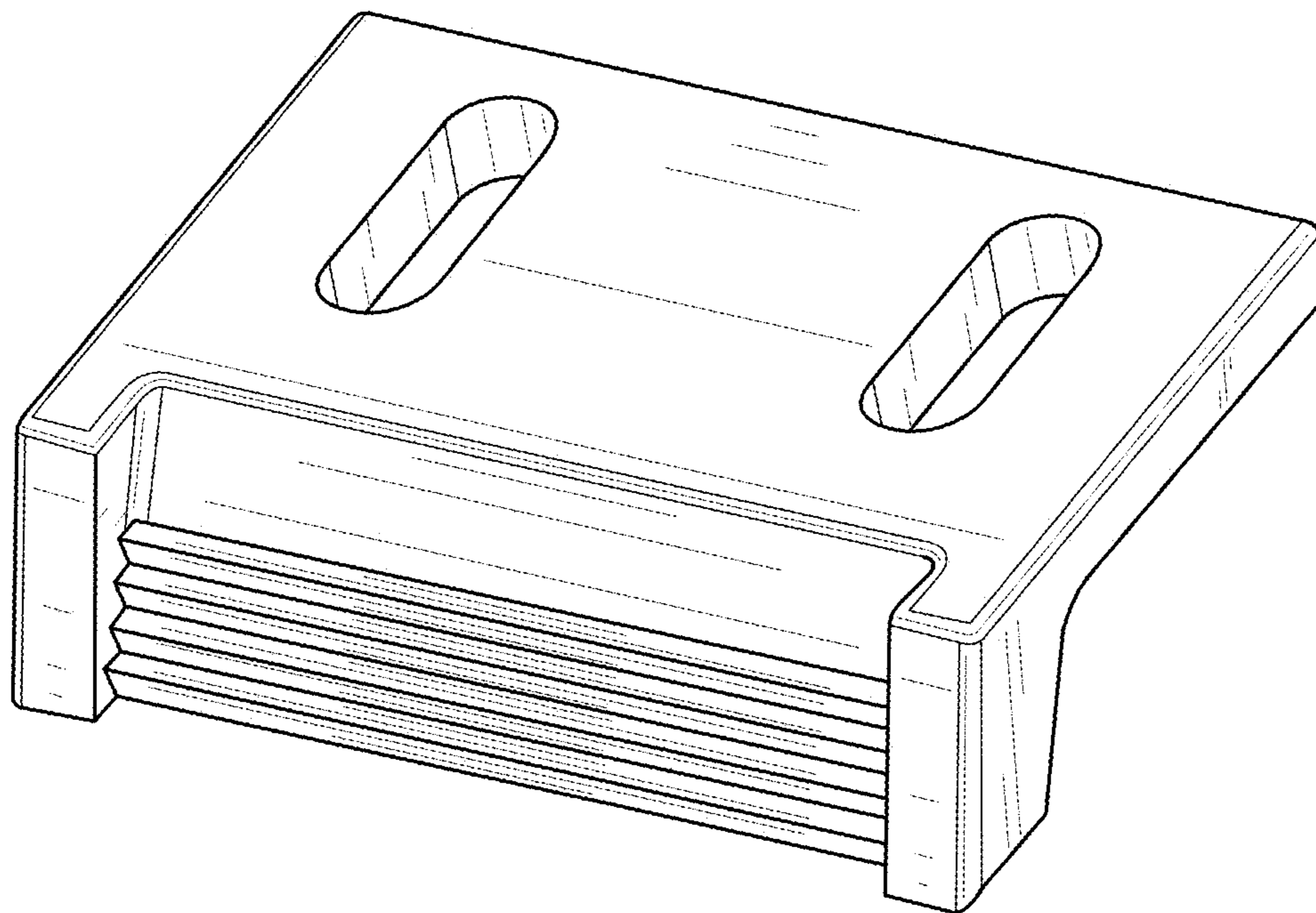


FIG. 8