



US00D937660S

(12) **United States Design Patent**
Marsden

(10) **Patent No.:** **US D937,660 S**
(45) **Date of Patent:** **** Dec. 7, 2021**

- (54) **FURNITURE SECURING DEVICE**
- (71) Applicant: **Elbee Pty Ltd.**, Bondi Junction (AU)
- (72) Inventor: **Andrew Marsden**, Hingham, MA (US)
- (73) Assignee: **Elbee Pty Ltd.**, Bondi Junction (AU)
- (**) Term: **15 Years**
- (21) Appl. No.: **29/683,693**
- (22) Filed: **Mar. 14, 2019**

5,052,869 A 10/1991 Hansen, II
 5,248,176 A 9/1993 Fredriksson
 5,320,193 A * 6/1994 Bongiovanni E04G 21/3261
 182/3
 D399,804 S * 10/1998 Lindenman D12/162
 (Continued)

FOREIGN PATENT DOCUMENTS

CN 3239722 * 11/2001
 CN 206166322 U 5/2017
 (Continued)

OTHER PUBLICATIONS

Little Chicks, Hinged Furniture Anchors, [online]retrieved Dec. 23, 2020, available from internet, https://www.amazon.com/Little-Chicks-Hinged-Furniture-Anchors/dp/B07MHCFTQN/ref=sr_1_101?dchild=1&keywords=wall+mount+for+securing+furniture&qid=1608741698&sr=8-101 (Year: 2020).*

(Continued)

Primary Examiner — Keli L Hill
Assistant Examiner — Sara S Sahneh
 (74) *Attorney, Agent, or Firm* — Wolf, Greenfield & Sacks, P.C.

Related U.S. Application Data

- (63) Continuation of application No. PCT/IB2018/001142, filed on Sep. 12, 2018.
- (51) **LOC (13) Cl.** **08-07**
- (52) **U.S. Cl.**
USPC **D8/339**; D8/330
- (58) **Field of Classification Search**
USPC D8/330–340, 341.11, 342–350, 352, 382, D8/394–399; 292/341.11, 340–346, 180
CPC G07C 9/00571; G07C 9/00674; G07C 9/00309; Y10T 292/53; Y10T 16/458; Y10T 292/68; Y10T 292/0803; Y10T 292/0848; Y10T 70/5199; Y10T 29/4932; Y10T 70/58; Y10T 70/72; H04N 7/147; H04N 7/186; H04N 5/232411; H04N 5/64; H05K 1/144; E05B 3/00; E05B 15/00; E05B 9/00; E05B 63/04; E05B 15/101; E05B 1/003; E05B 65/0811; E05B 17/18; E05B 83/00; A47B 97/00; A47B 2200/04; F16M 13/022; F16M 2097/008; F16M 11/08; B60R 25/00; E02D 5/74; F02K 3/10; A47L 397/00
See application file for complete search history.

(57) **CLAIM**

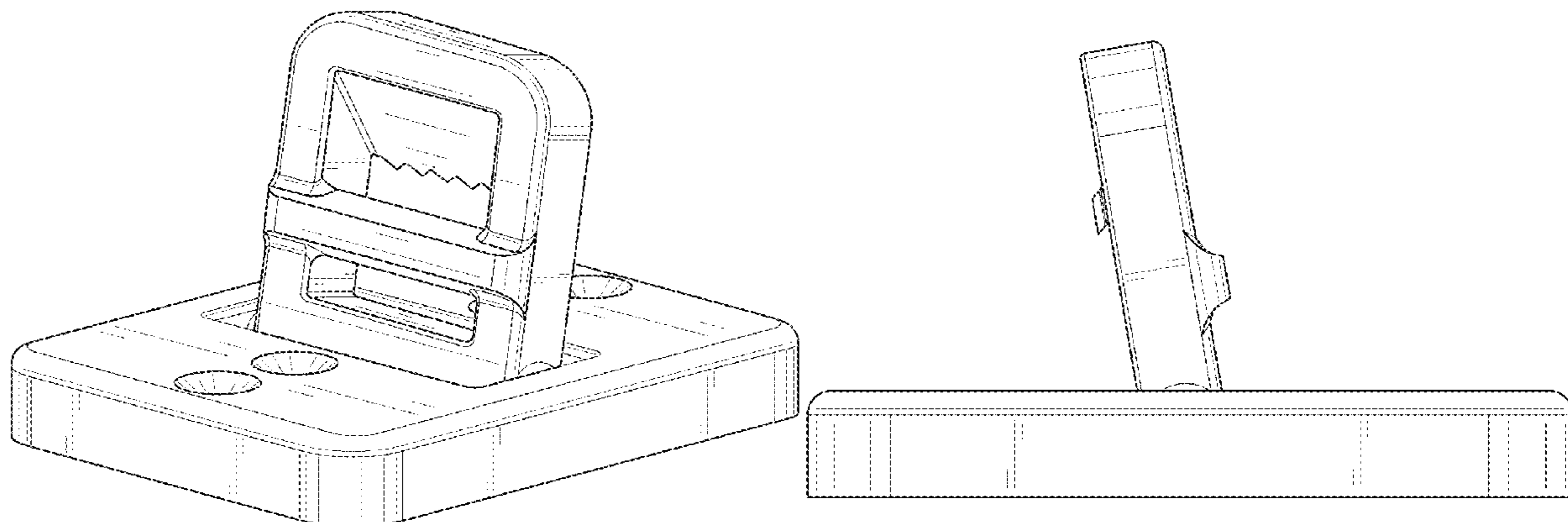
The ornamental design for a furniture securing device, as shown and described.

DESCRIPTION

FIG. 1 is a top, front, right side perspective view of a furniture securing device showing my new design;
 FIG. 2 is a front elevation view thereof;
 FIG. 3 is a rear elevation view thereof;
 FIG. 4 is a left side elevation view thereof;
 FIG. 5 is a right side elevation view thereof; and,
 FIG. 6 is a top plan view thereof.

1 Claim, 6 Drawing Sheets

- (56) **References Cited**
U.S. PATENT DOCUMENTS
3,409,264 A 11/1968 Schwiebert et al.
4,850,769 A 7/1989 Matthews



(56)

References Cited

U.S. PATENT DOCUMENTS

5,983,573 A * 11/1999 MacKarvich E02D 5/801
24/192
6,138,975 A 10/2000 McDauid
6,161,883 A 12/2000 Pearl
6,202,977 B1 3/2001 Chapman
6,220,562 B1 4/2001 Konkle
6,398,447 B1 6/2002 Pearl
7,025,321 B2 4/2006 Jung
7,086,815 B2 8/2006 Bruns
7,175,149 B2 2/2007 Gallien
7,686,551 B2 3/2010 Grasso
7,740,218 B2 6/2010 Green
8,066,245 B2 11/2011 Green
8,235,345 B2 * 8/2012 Sadil F02K 3/10
248/500
8,262,045 B2 9/2012 Green
8,720,846 B2 5/2014 Wohlford et al.
8,740,172 B2 6/2014 Essrig
D791,575 S * 7/2017 Hochman D8/343
D863,040 S * 10/2019 Dedios-Shirley D8/354
2004/0046092 A1 3/2004 Jung
2004/0051013 A1 * 3/2004 Risdall A47B 13/00
248/188
2004/0113039 A1 6/2004 Becker
2005/0023419 A1 * 2/2005 Frankel F16M 13/022
248/206.3
2006/0097123 A1 5/2006 Gallien
2007/0284503 A1 * 12/2007 Kirkpatrick B60R 25/00
248/499
2008/0260487 A1 10/2008 Grasso
2013/0087675 A1 4/2013 Miller
2016/0362899 A1 * 12/2016 Kruger E04F 19/08
2017/0164738 A1 6/2017 Clements
2018/0008044 A1 * 1/2018 Holt G06F 1/1637
2020/0324714 A1 * 10/2020 Creely B60R 11/06
2020/0383476 A1 * 12/2020 Marsden A47B 97/00

FOREIGN PATENT DOCUMENTS

DE 3923691 C1 5/1990
EP 2 363 553 A1 9/2011
GB 2471315 A 12/2010
GB 6090468 * 5/2020
JP S57-111247 U 7/1982
JP 3038091 U 6/1997
JP 3047859 U 4/1998
JP 3112455 U 8/2005
JP 3122931 U 6/2006
KR 10-0888211 B1 3/2009

OTHER PUBLICATIONS

Bebe Earth Store—Furniture and TV Anti-Tip Straps, [online]retrieved Dec. 23, 2020, https://www.amazon.com/Bebe-Earth-Furniture-Protection-Adjustable/dp/B014R5XIDY/ref=sr_1_6?dchild=1

&keywords=wall+mount+for+securing+furniture&qid=1608741612 &sr=8-6 (Year: 2020).*

Puninoto, Furniture Anchor for Baby Proofing Metal Furniture Wall Straps, [online]retrieved Dec. 23, 2020, available from internet, https://www.amazon.com/dp/B0895HSWL2/ref=sspa_dk_detail_0?psc=1&pd_rd_i=B0895HSWL2&pd_rd_w=Pq36y&pf_rd_p=7d37a48b-2b1a-4373-8c1a-bdcc5da66be9&pd_rd_ (Year: 2020).*

VatCat, Furniture Straps,Furniture Anchors for Baby Safety Proofing, Date first available Aug. 5, 2019 , [online]retrieved Dec. 23, 2020, available from internet, https://www.amazon.com/dp/B07W3MC94F/ref=sspa_dk_detail_5?psc=1&pd_rd_i=B07W3MC94F&pd_rd_w=GUzFM&pf_rd_p=f0355a48-7e73-489a- (Year: 2019).*

International Search Report and Written Opinion for International Application No. PCT/IB2018/001142, dated Dec. 21, 2018.

[No Author Listed] Product listing for Mommy’s Helper Tip Resistant Furniture Safety Brackets. Amazon.com. <https://www.amazon.com/Mommys-Helper-Resistant-Furniture-Brackets/dp/B00081MHJI?th=1>. Publicly available at least as early as Sep. 12, 2018, 8 pages.

[No Author Listed] Product listing for Baby Safety Anti Tip Furniture Straps, Anchor Furniture TV Straps Safety & 4 Child Safety Lock—Dwarm All Metal Part. Amazon.com. https://www.amazon.com/Safety-Furniture-Straps-Anchor-TV/dp/B072HH3JK6/ref=pd_sbs_75_4?_encoding=UTF8&refRID=E9PTNM5SHRJ2FFH6Y5ZM&th=1. Publicly available at least as early as Sep. 12, 2018, 5 pages.

[No Author Listed] Product listing for Furniture Safety Straps Kit—Anti-Tip Anchor For Any TV, Extra Strong Wall Hold—2 Pack White Earthquake Proof—Baby Childproofing Strap Light & Heavy Anchors—Bolts & Hardware Included. Amazon.com. <https://www.amazon.com/dp/B072DVHNTX?psc=1>. Publicly available at least as early as Sep. 12, 2018, 6 pages.

[No Author Listed] Product listing for Skyla Homes—TV and Furniture Anchors (10-Pack) Anti Tip Wall Mount Straps for Baby Proof Safety, Best Adjustable Earthquake Resistant Strap, Safe Dresser n Bookshelf Child Proofing, Extra Secure Kit. <https://www.amazon.com/Ellas-Furniture-Adjustable-Earthquake-Protection-dp/B06VY8HBPH/>. Publicly available at least as early as Sep. 12, 2018, 10 pages.

[No Author Listed] Product listing for Quakehold! 2830 Furniture Cable, 7-inch. Amazon.com. <https://www.amazon.com/Quakehold-2870-7-Inch-Steel-Furniture/dp/B000FJQQKO>. Publicly available at least as early as Sep. 12, 2018, 8 pages.

[No Author Listed] Product listing for WENWELL 2PCS Furniture Anti-Tip Metal Kit Global Steel Cables Funliture Anti-Tip Anchor Straps for Baby Safety, Heavy Duty Straps Wall Anchoring Kit, with Mounting Hardware Included. https://www.amazon.com/WENWELL-Furniture-Anti-Tip-Anchoring-Mounting/dp/B07X5G73C4/ref=sr_1_fkmr0_1?keywords=wenwell+2pc+furniture+anti-tip+metal+kit&qid=1573152212&sr=8-1-fkmr0, Publicly available at least as early as Sep. 12, 2018, 6 pages.

[No Author Listed] Safety 1st Decor Multi-Purpose Appliance Lock. ToysRUs. 2 pages.

U.S. Appl. No. 16/646,857, filed Mar. 12, 2020, Marsden. PCT/IB2018/001142, Dec. 21, 2018, International Search Report and Written Opinion.

Furniture-Adjustable-Earthquake-Protection/dp/B06VY8HBPH/. Publicly available prior to Sep. 12, 2018, 10 pages.

* cited by examiner

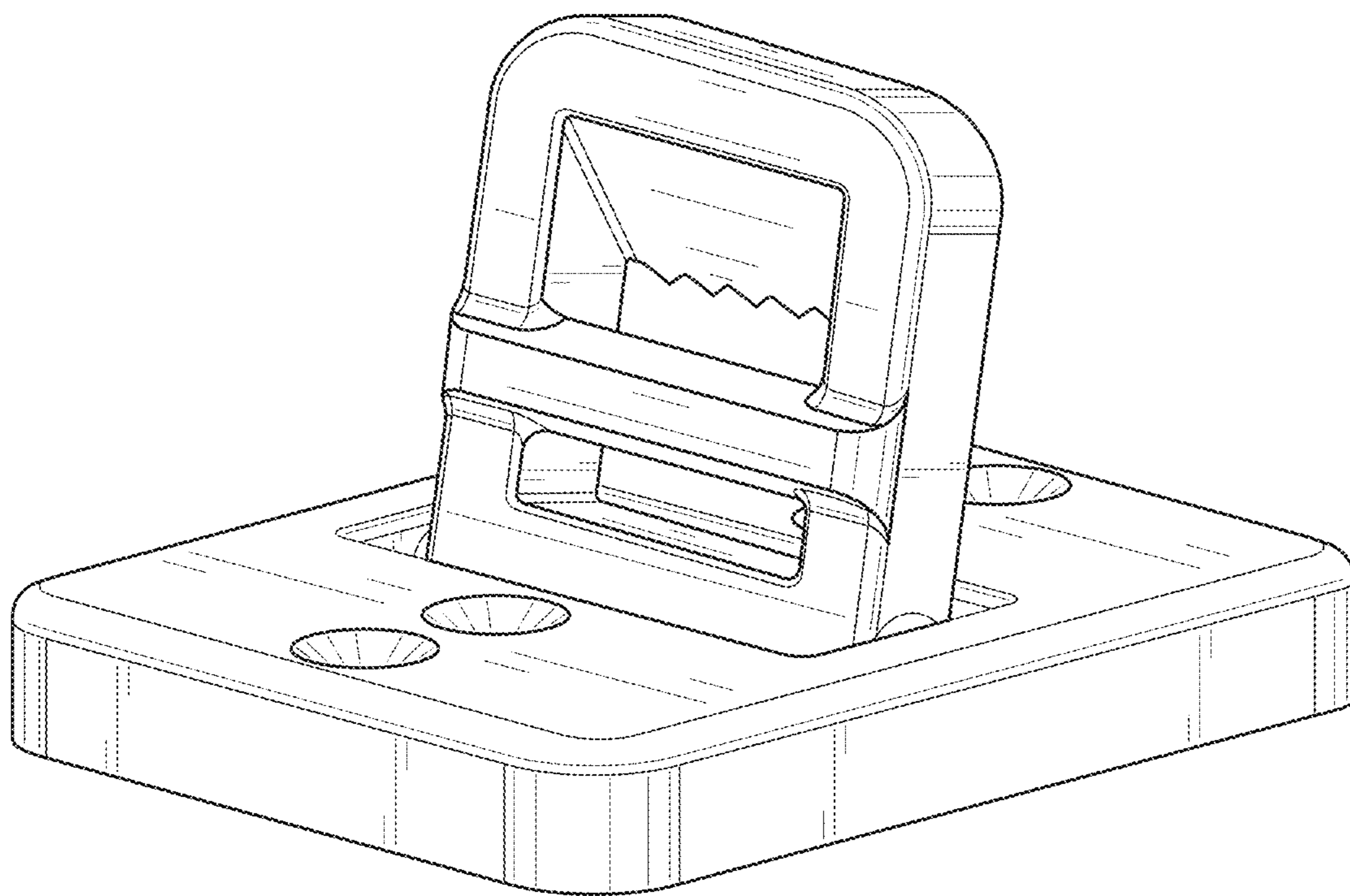


FIG. 1

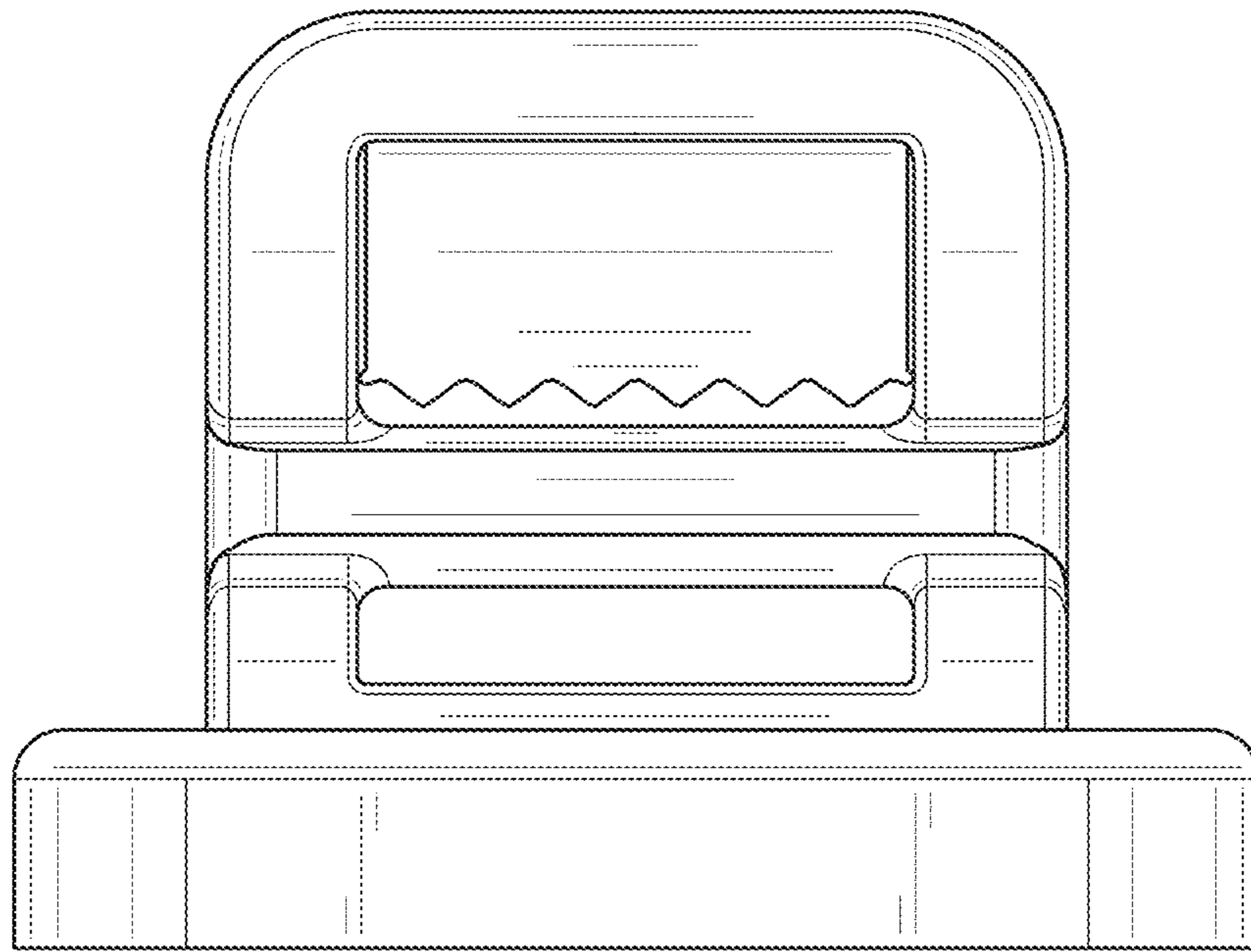


FIG. 2

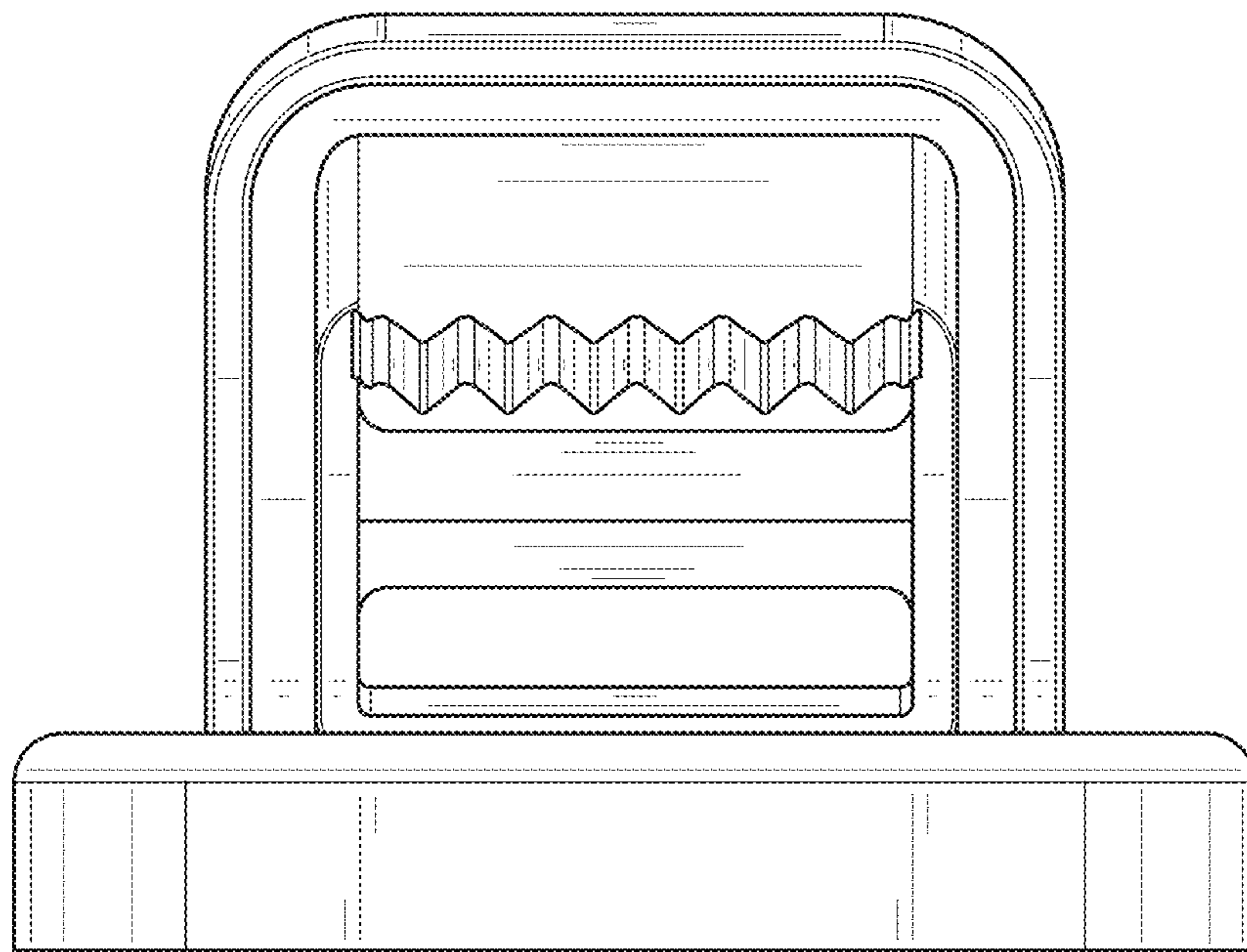


FIG. 3

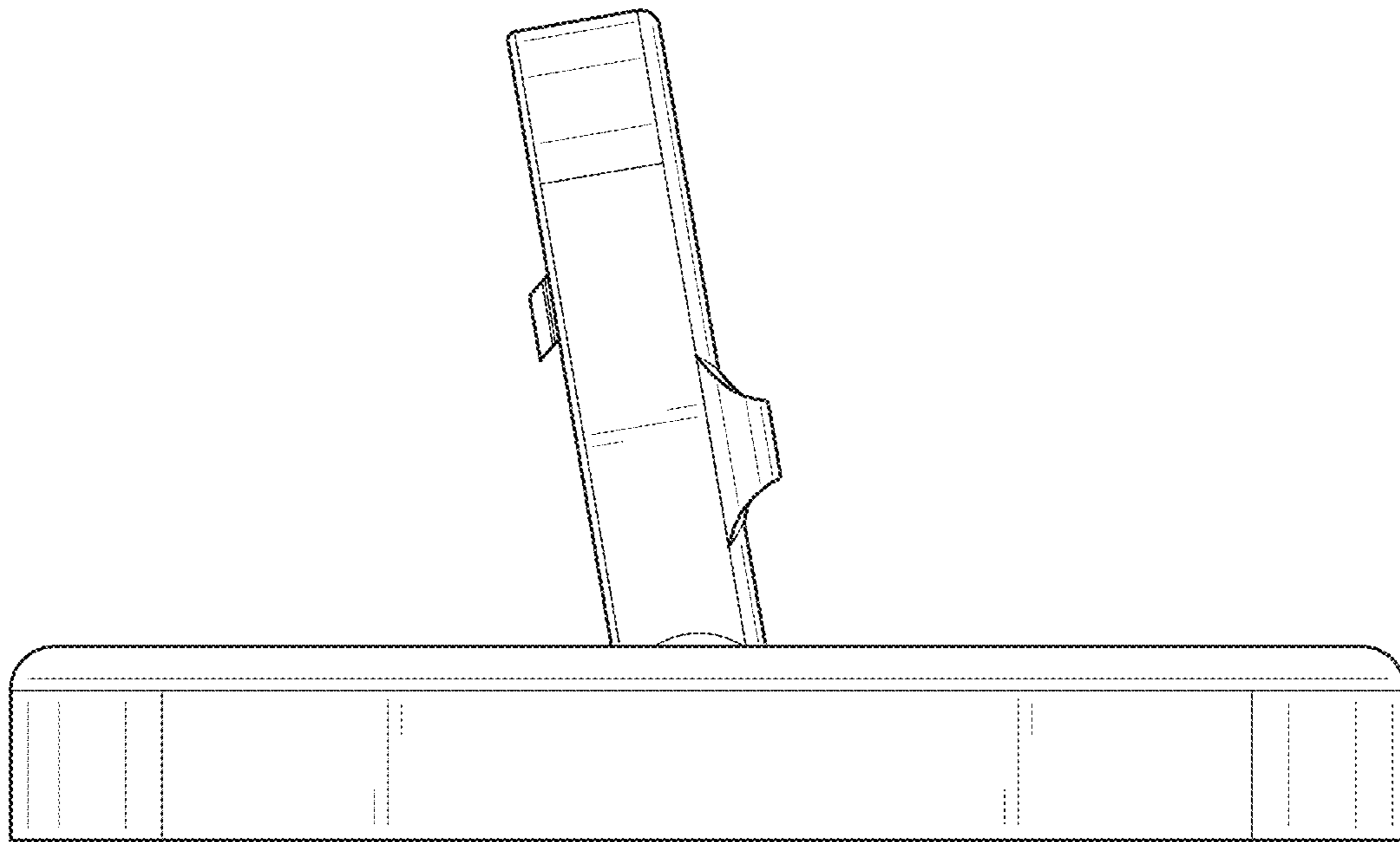


FIG. 4

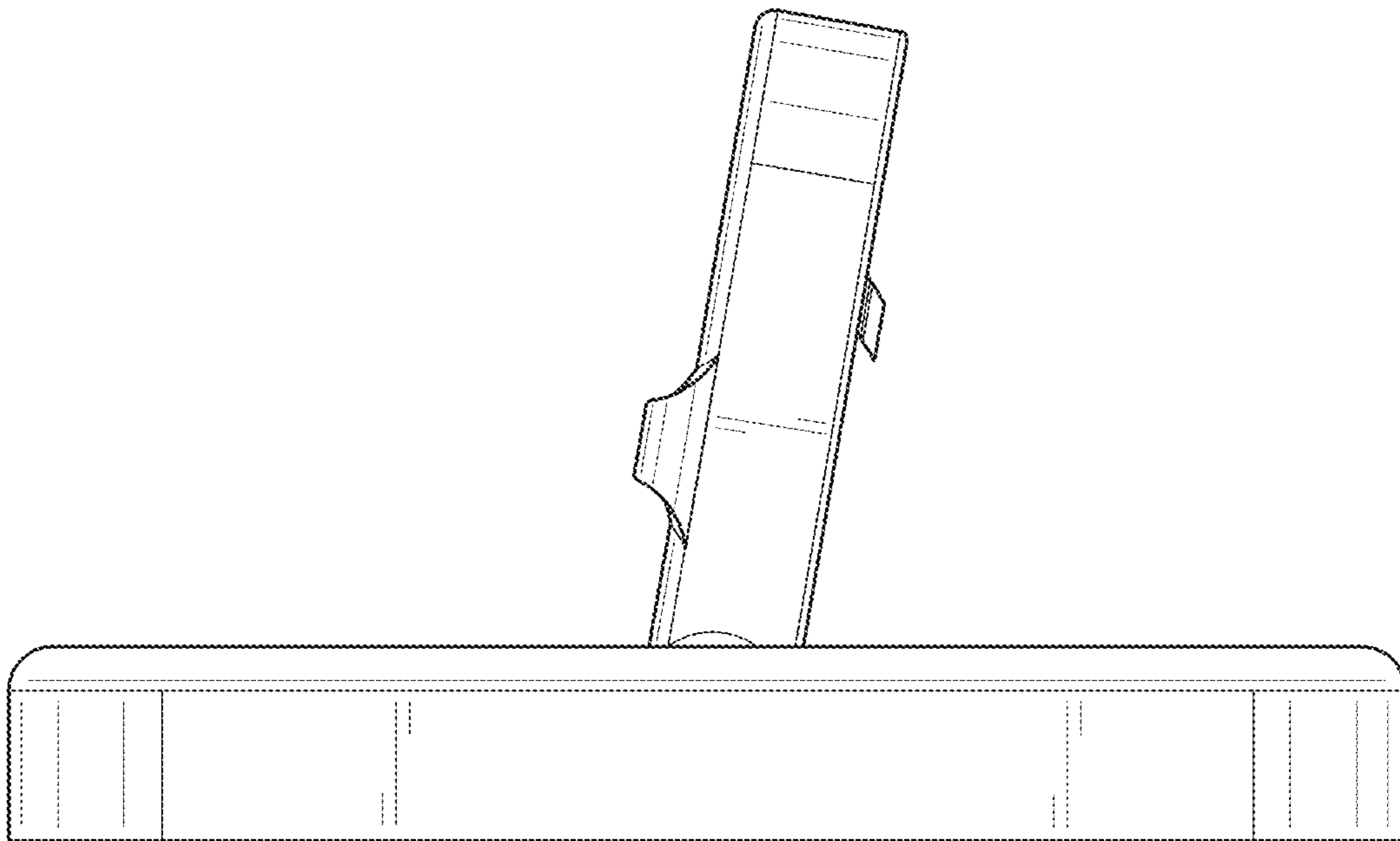


FIG. 5

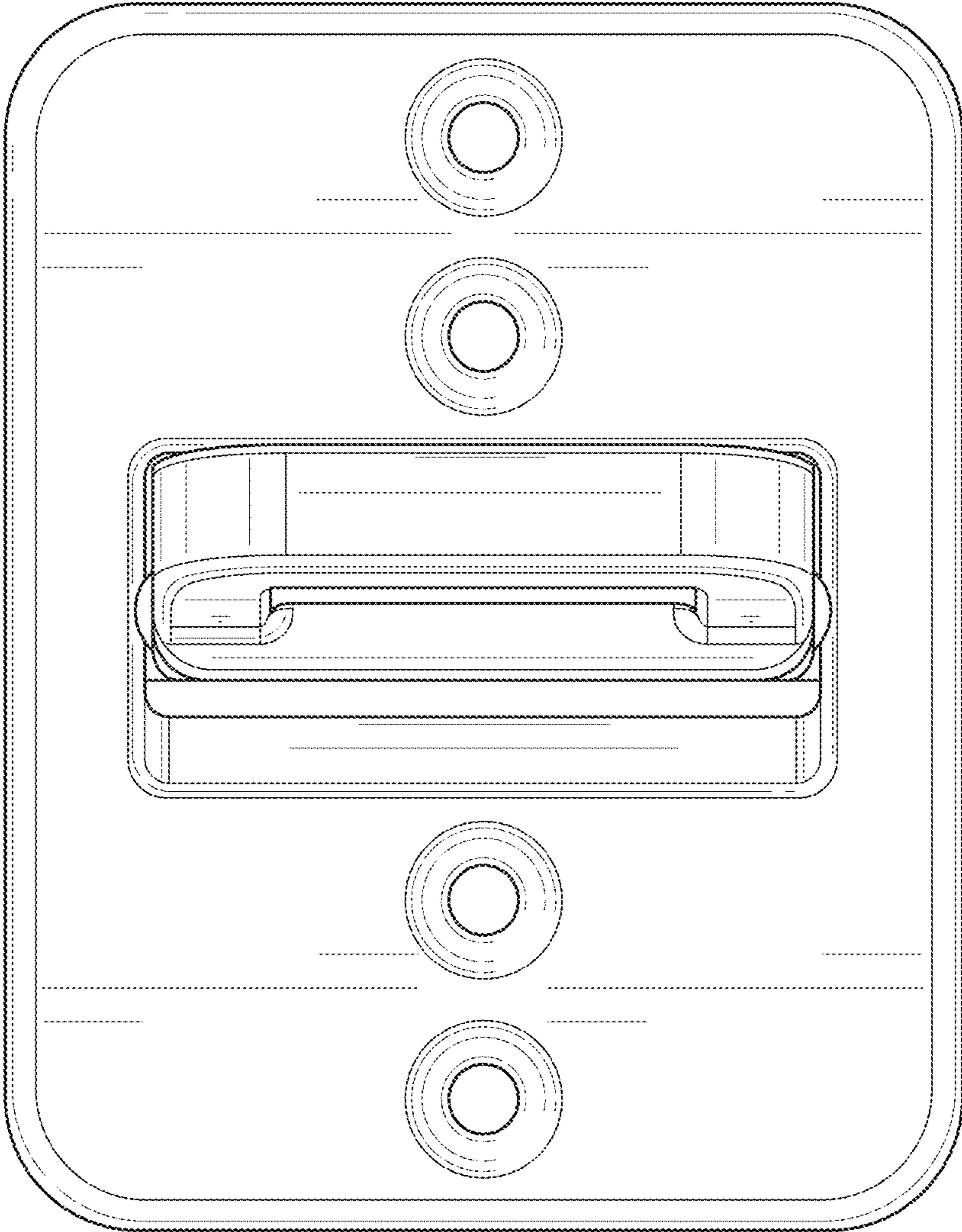


FIG. 6