



US00D937659S

(12) **United States Design Patent**  
**Wang**

(10) **Patent No.:** **US D937,659 S**

(45) **Date of Patent:** **\*\* Dec. 7, 2021**

(54) **DOOR LOCK**

(71) Applicant: **Chengbo Wang**, Zhejiang (CN)

(72) Inventor: **Chengbo Wang**, Zhejiang (CN)

(\*\*) Term: **15 Years**

(21) Appl. No.: **29/738,328**

(22) Filed: **Jun. 17, 2020**

(51) **LOC (13) Cl.** ..... **08-07**

(52) **U.S. Cl.**  
USPC ..... **D8/336**

(58) **Field of Classification Search**  
USPC ..... D8/336.337

CPC .. E05B 65/0007; E05B 65/0014; E05B 13/00;  
E05B 55/00; E05B 59/00; E05B 61/00;  
E05B 2047/0024; E05B 2047/0035;  
B65D 50/00; E05C 19/003

See application file for complete search history.

(56) **References Cited**

**U.S. PATENT DOCUMENTS**

D382,191 S \* 8/1997 Plummer ..... D8/337  
D422,881 S \* 4/2000 DePass ..... D8/337

7,134,699 B1 \* 11/2006 Kondratuk ..... E05B 13/004  
292/359  
D685,623 S \* 7/2013 Lewis ..... D8/336  
D710,675 S \* 8/2014 Kiechel ..... D8/331  
D781,133 S \* 3/2017 Heinemann ..... D8/336  
D784,112 S \* 4/2017 Onorato ..... D8/336  
10,746,261 B2 \* 8/2020 Ku ..... E05B 47/0046

\* cited by examiner

*Primary Examiner* — Doris Clark

(74) *Attorney, Agent, or Firm* — Mark M. Friedman

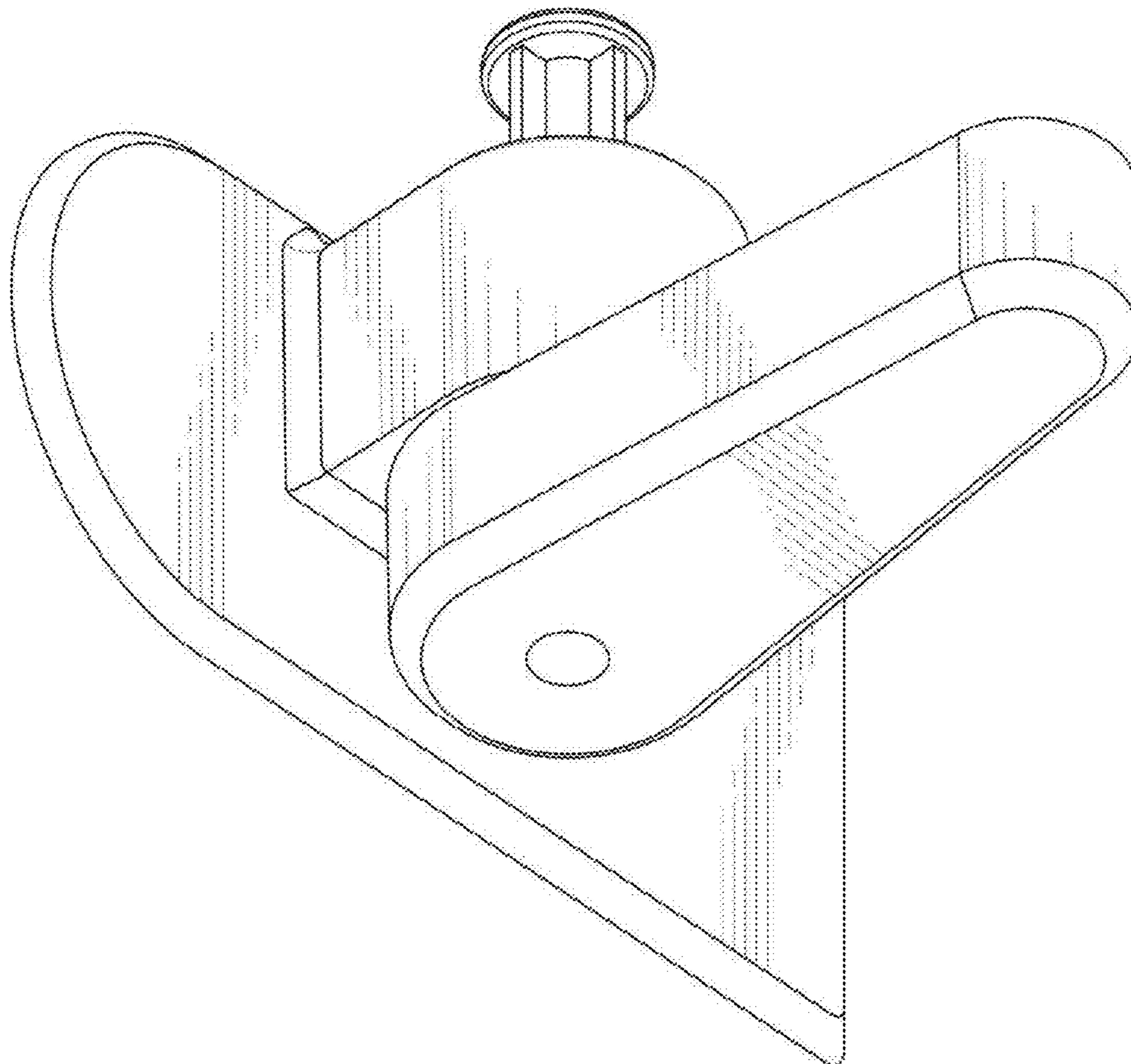
(57) **CLAIM**

The ornamental design for a door lock, as shown.

**DESCRIPTION**

FIG. 1 is a front bottom perspective view a magnetic door lock showing my new design;  
FIG. 2 is a front view thereof;  
FIG. 3 is a right side view thereof;  
FIG. 4 is left side view thereof;  
FIG. 5 is a top view thereof;  
FIG. 6 is a bottom view thereof; and,  
FIG. 7 is rear view thereof.

**1 Claim, 7 Drawing Sheets**



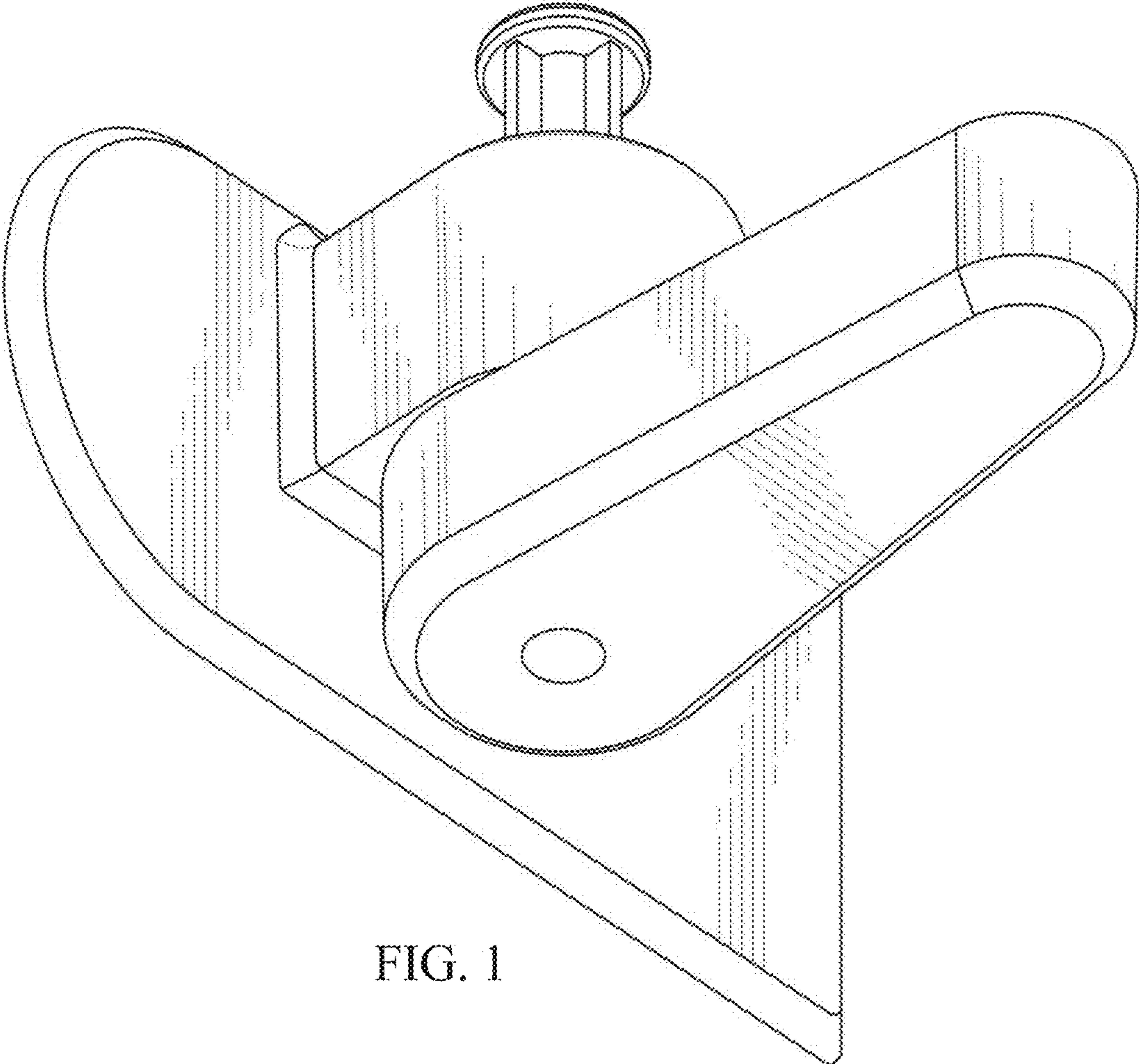


FIG. 1

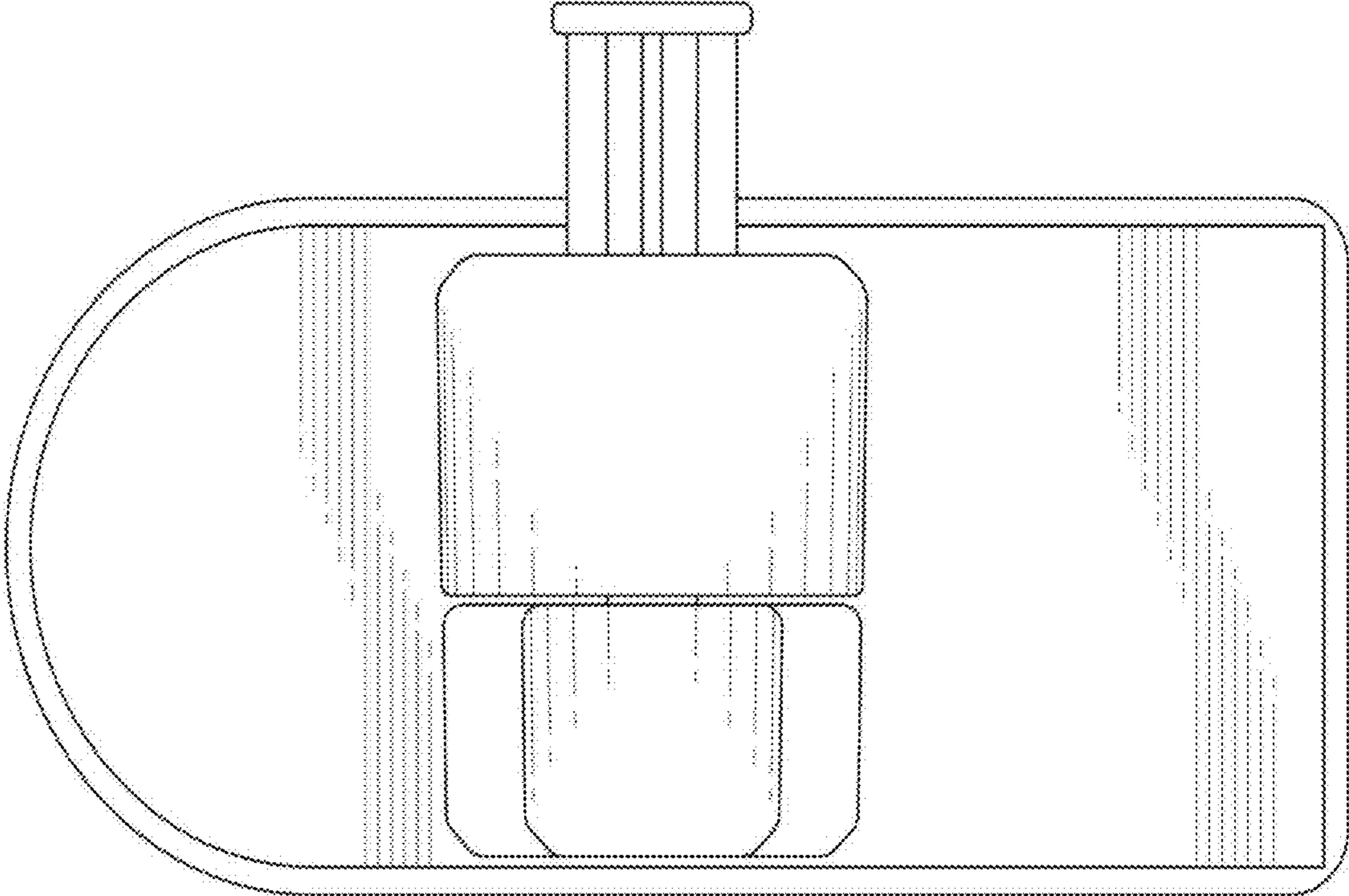


FIG. 2

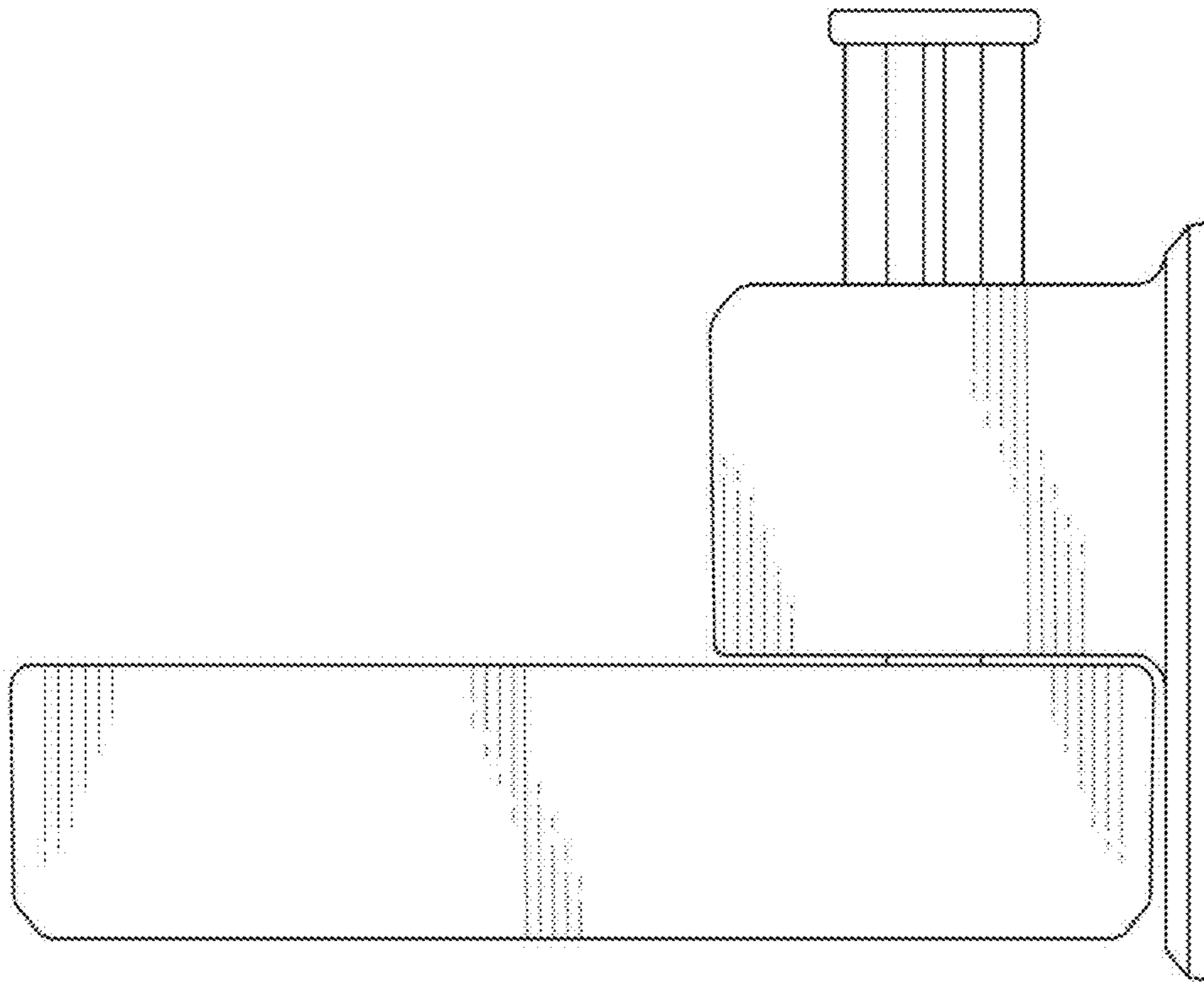


FIG. 3

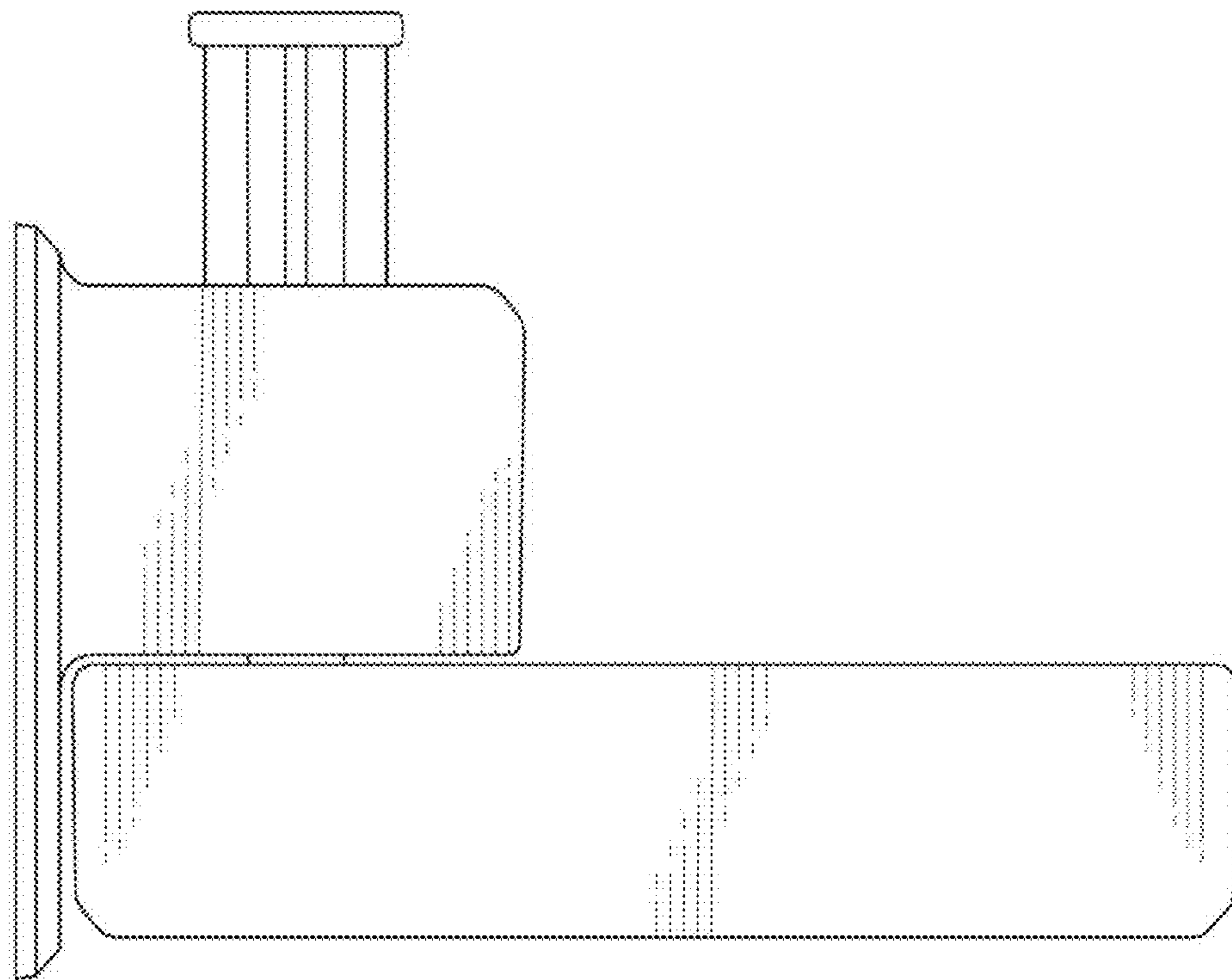


FIG. 4

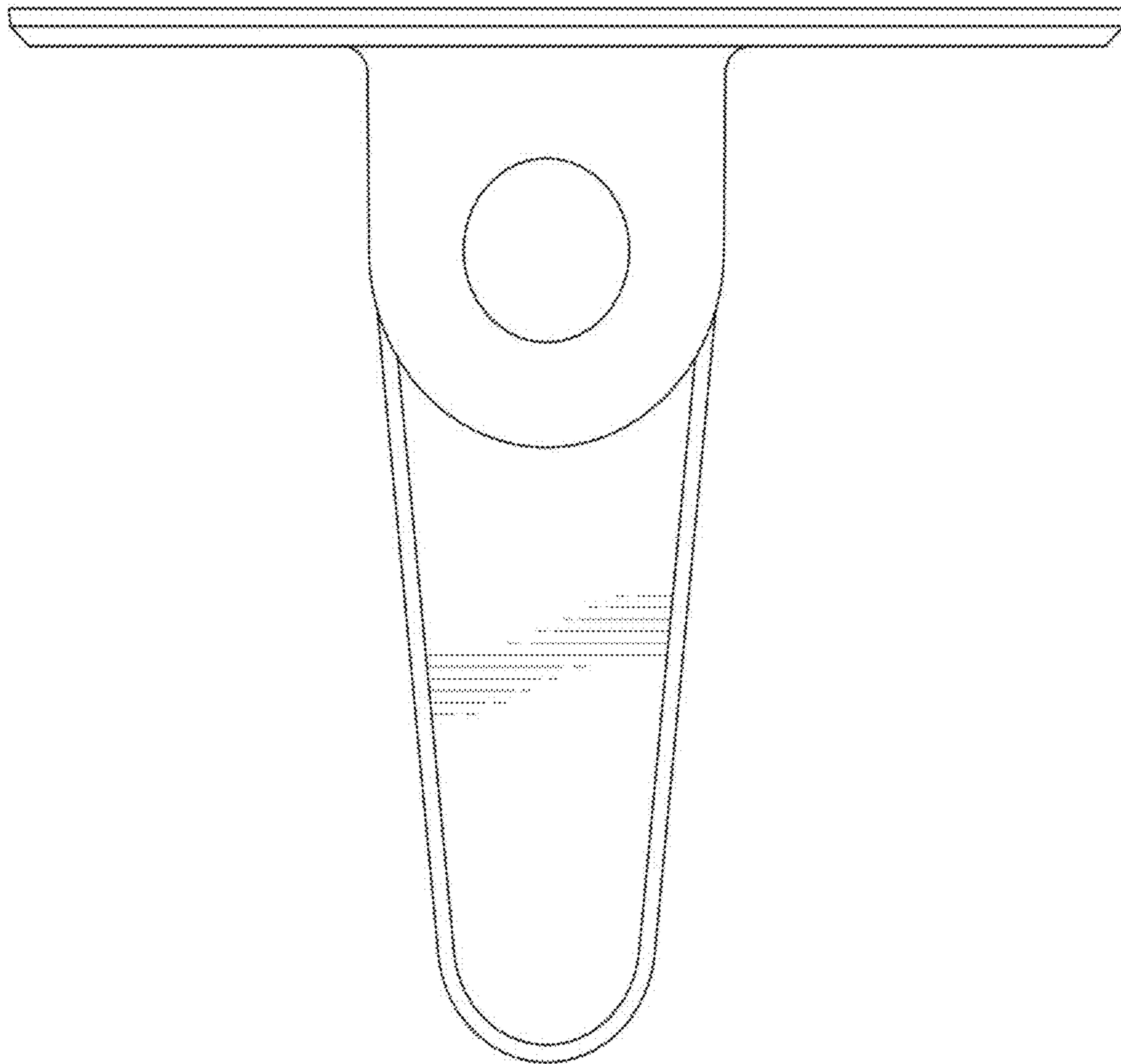


FIG. 5

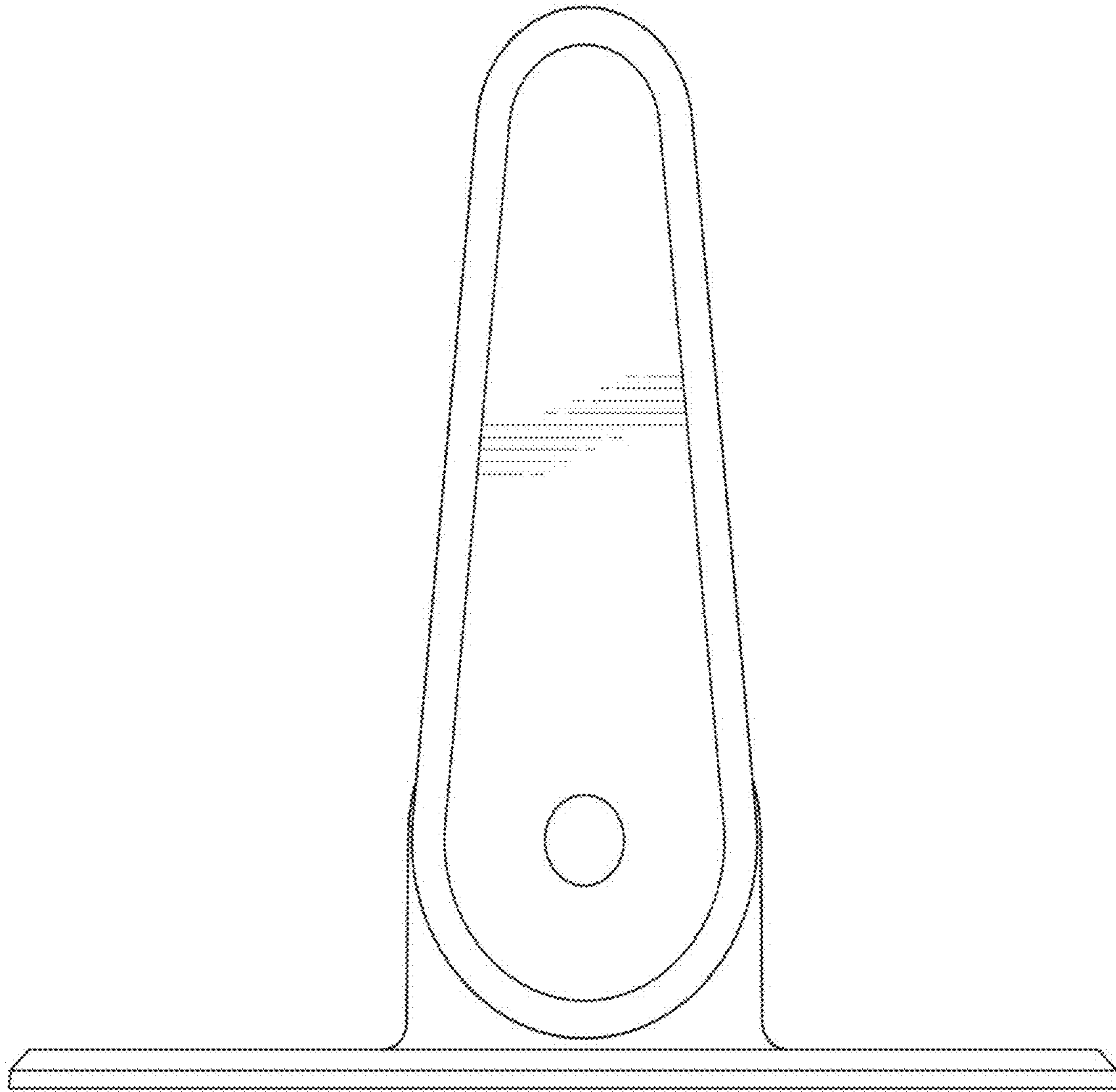


FIG. 6

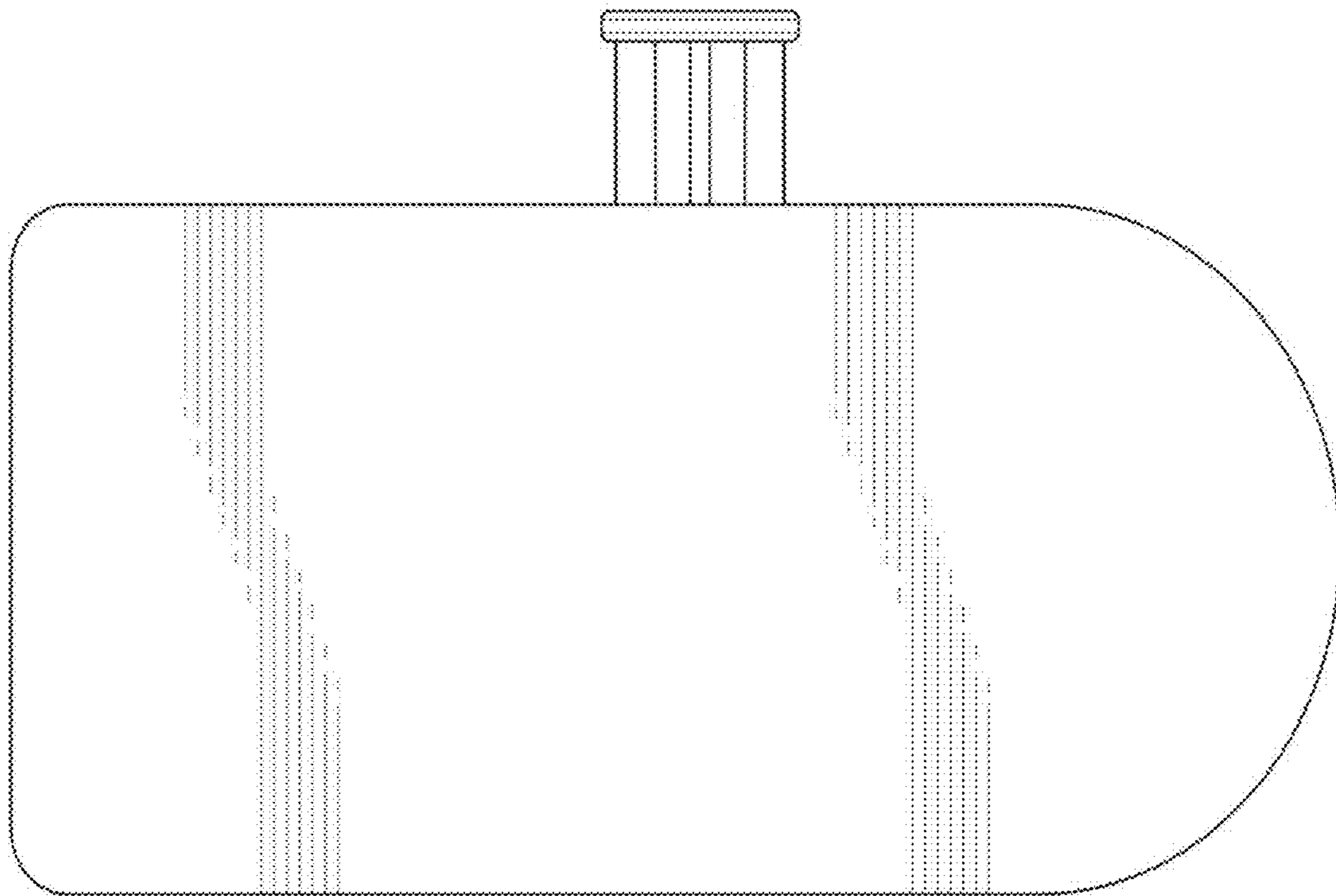


FIG. 7