



US00D937658S

(12) **United States Design Patent**
Wang

(10) **Patent No.:** **US D937,658 S**

(45) **Date of Patent:** **** Dec. 7, 2021**

- (54) **MAGNETIC DOOR LOCK**
- (71) Applicant: **Chengbo Wang**, Zhejiang (CN)
- (72) Inventor: **Chengbo Wang**, Zhejiang (CN)
- (**) Term: **15 Years**
- (21) Appl. No.: **29/738,332**
- (22) Filed: **Jun. 17, 2020**
- (51) **LOC (13) Cl.** **08-07**
- (52) **U.S. Cl.**
USPC **D8/331**
- (58) **Field of Classification Search**
USPC D8/331
CPC .. E05B 47/00; E05B 47/0002; E05B 47/0046;
E05B 47/0038; E05B 47/02; E05B 65/06;
E05B 65/08; E05B 65/46; E05B 65/0085;
E05B 65/0007; E05B 15/0073; E05B
2047/0007; E05C 19/166; E05C 19/168;
E05C 19/16; E05C 19/161
See application file for complete search history.

- 7,390,035 B2 * 6/2008 Karcz E05B 13/101
292/163
- 8,220,846 B2 * 7/2012 Liang E05D 15/22
292/163
- 9,260,887 B2 * 2/2016 Lambrou E05B 13/004
- 9,631,920 B2 * 4/2017 Goldenson G01B 7/30
- D805,368 S * 12/2017 Gui D8/336

* cited by examiner

Primary Examiner — Doris Clark

(74) *Attorney, Agent, or Firm* — Mark M. Friedman

(57) **CLAIM**

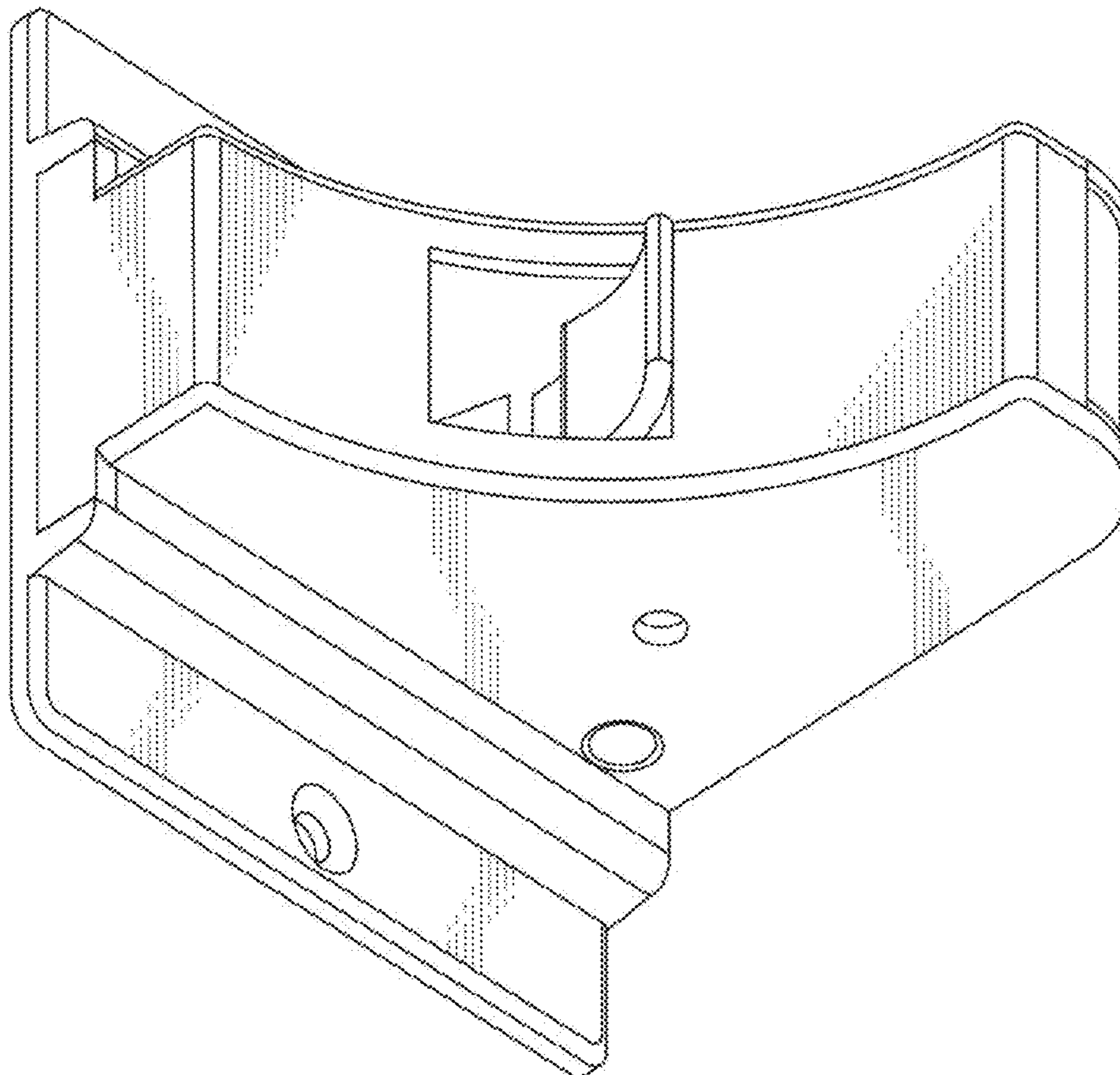
The ornamental design for a magnetic door lock, as shown.

DESCRIPTION

FIG. 1 is a front bottom perspective view a magnetic door lock showing my new design;
 FIG. 2 is a front view thereof;
 FIG. 3 is a right side view thereof;
 FIG. 4 is left side view thereof;
 FIG. 5 is a top view thereof;
 FIG. 6 is a bottom view thereof; and,
 FIG. 7 is rear view thereof.

1 Claim, 7 Drawing Sheets

- (56) **References Cited**
U.S. PATENT DOCUMENTS
D290,684 S * 7/1987 Wildgen D8/331
D439,497 S * 3/2001 Clark D8/331



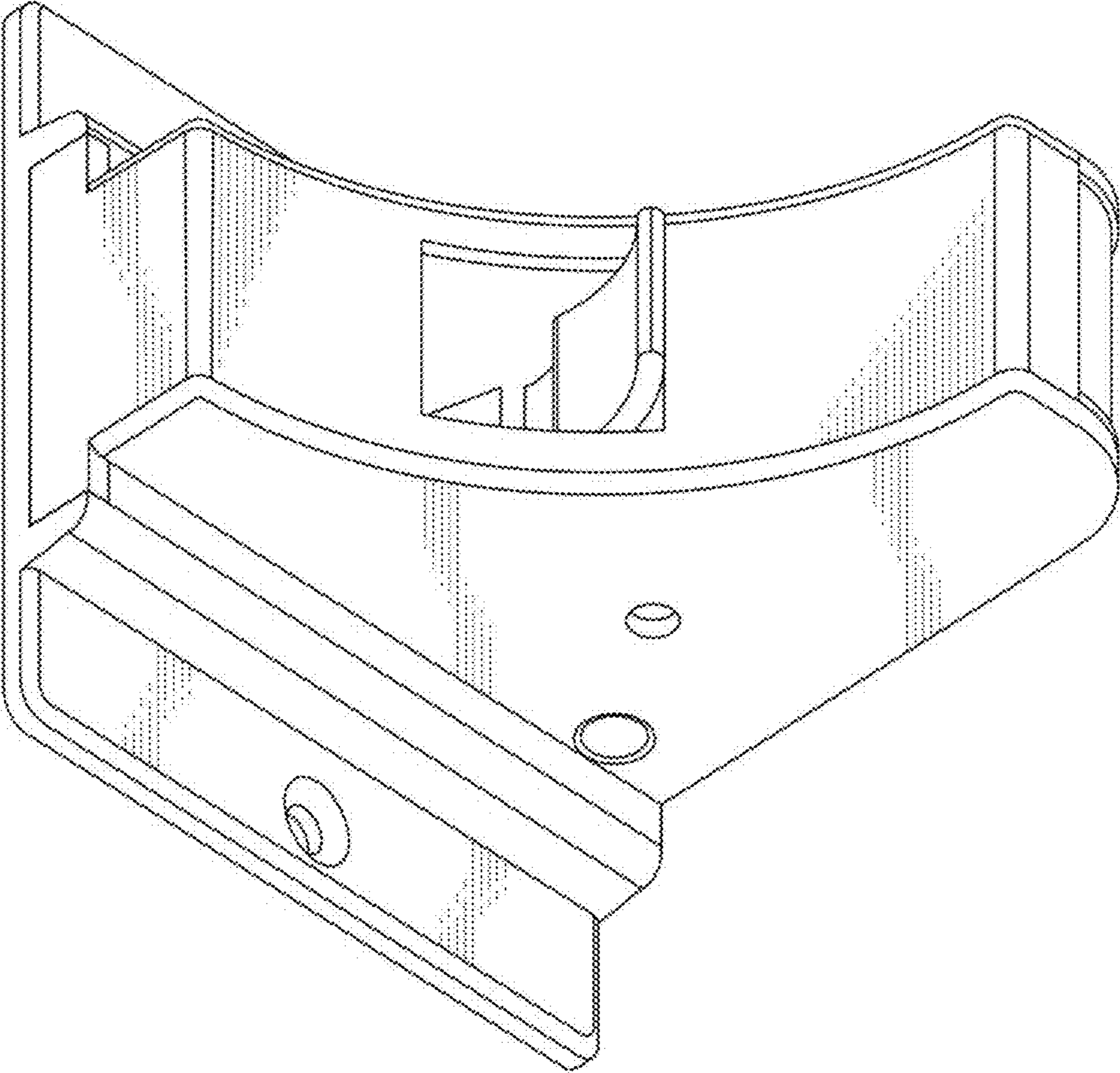


FIG. 1

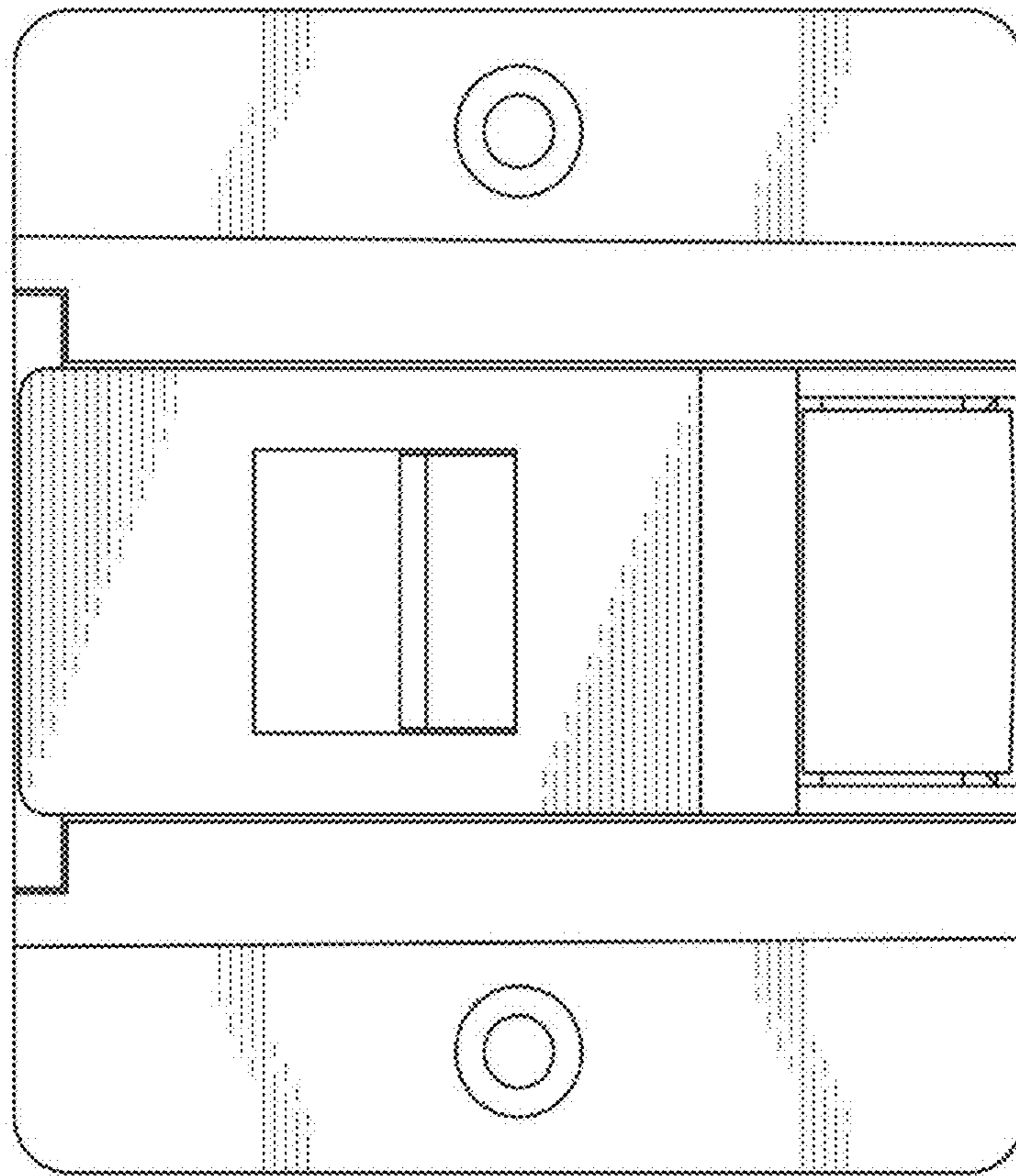


FIG. 2

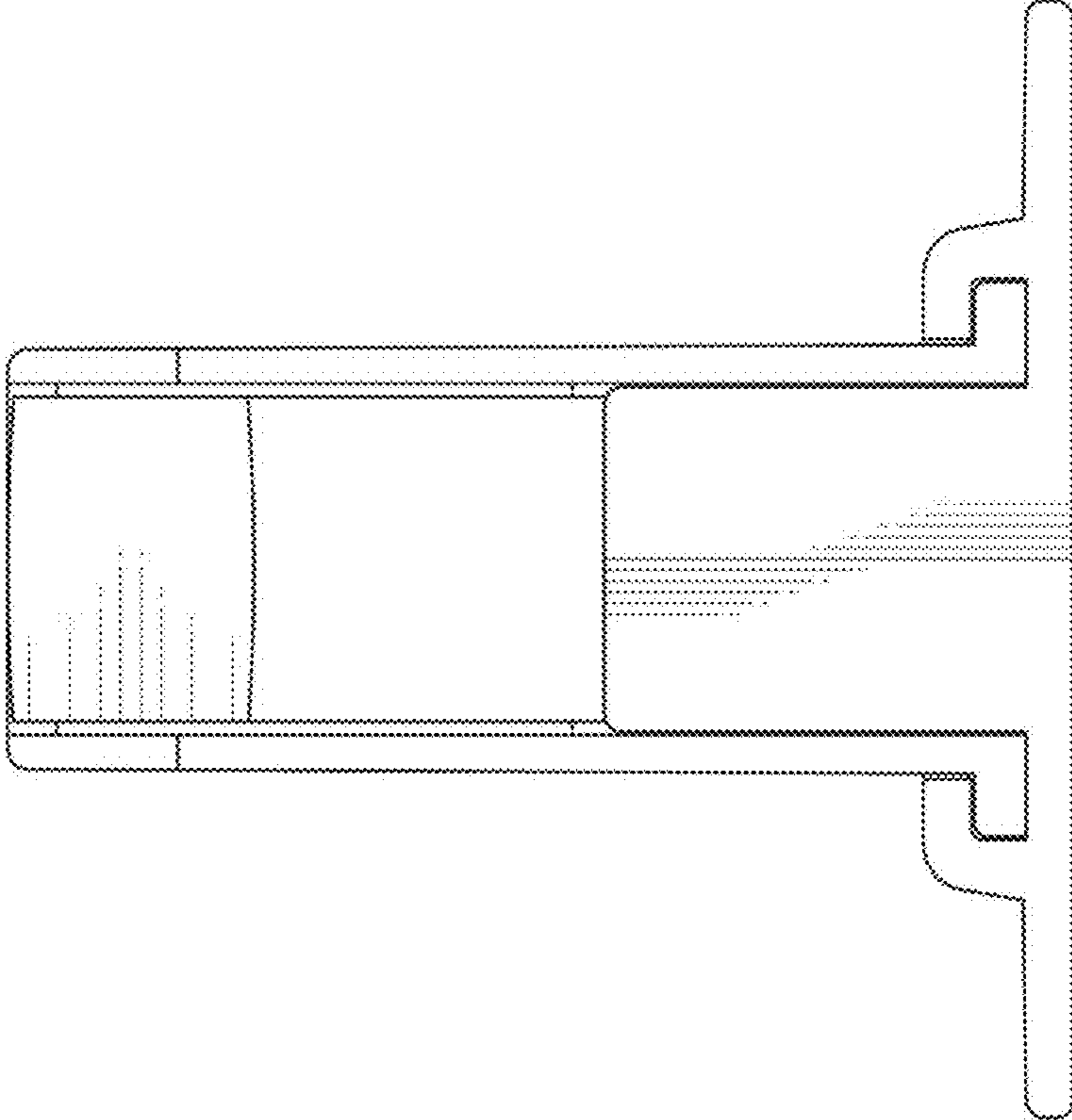


FIG. 3

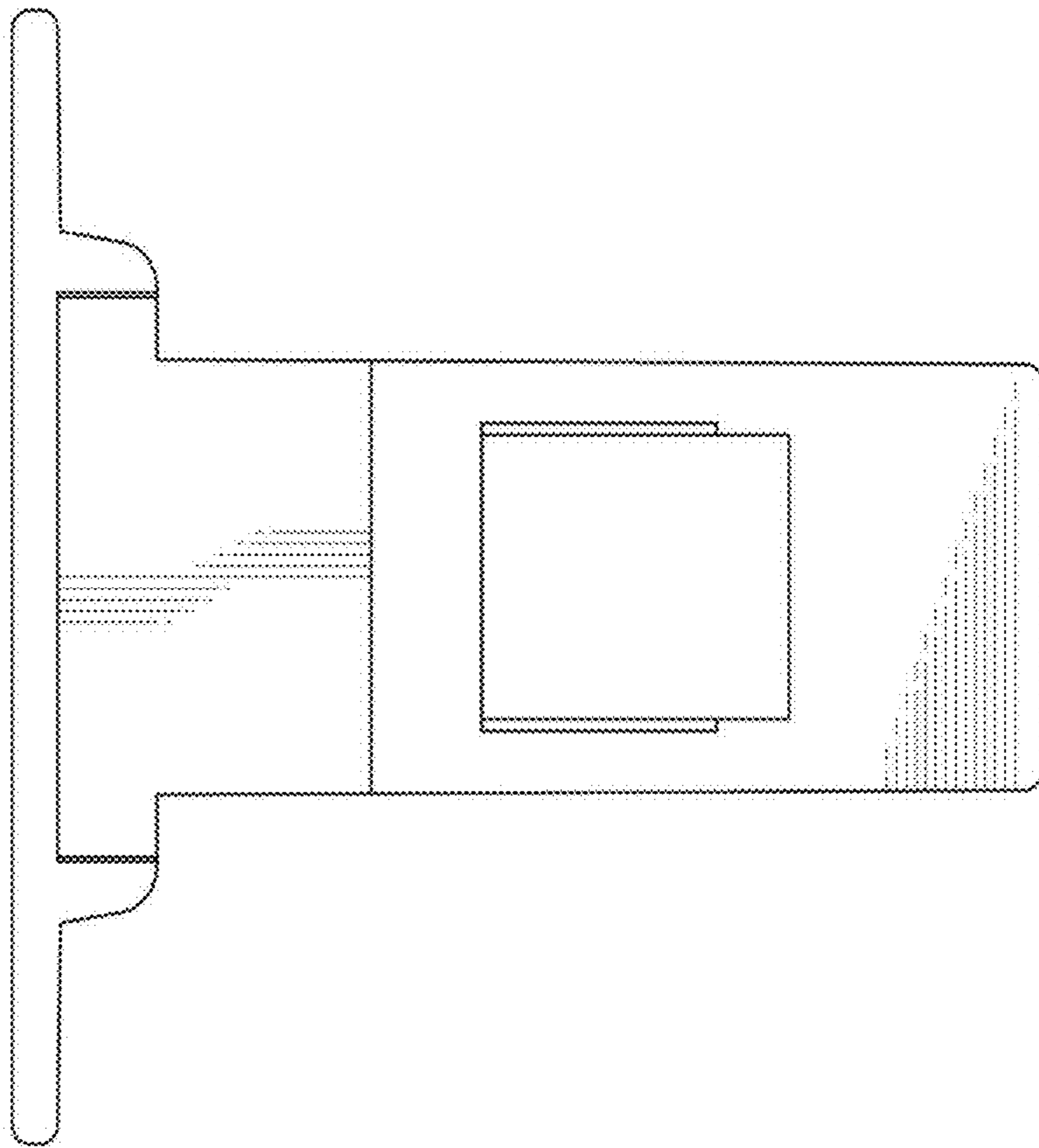


FIG. 4

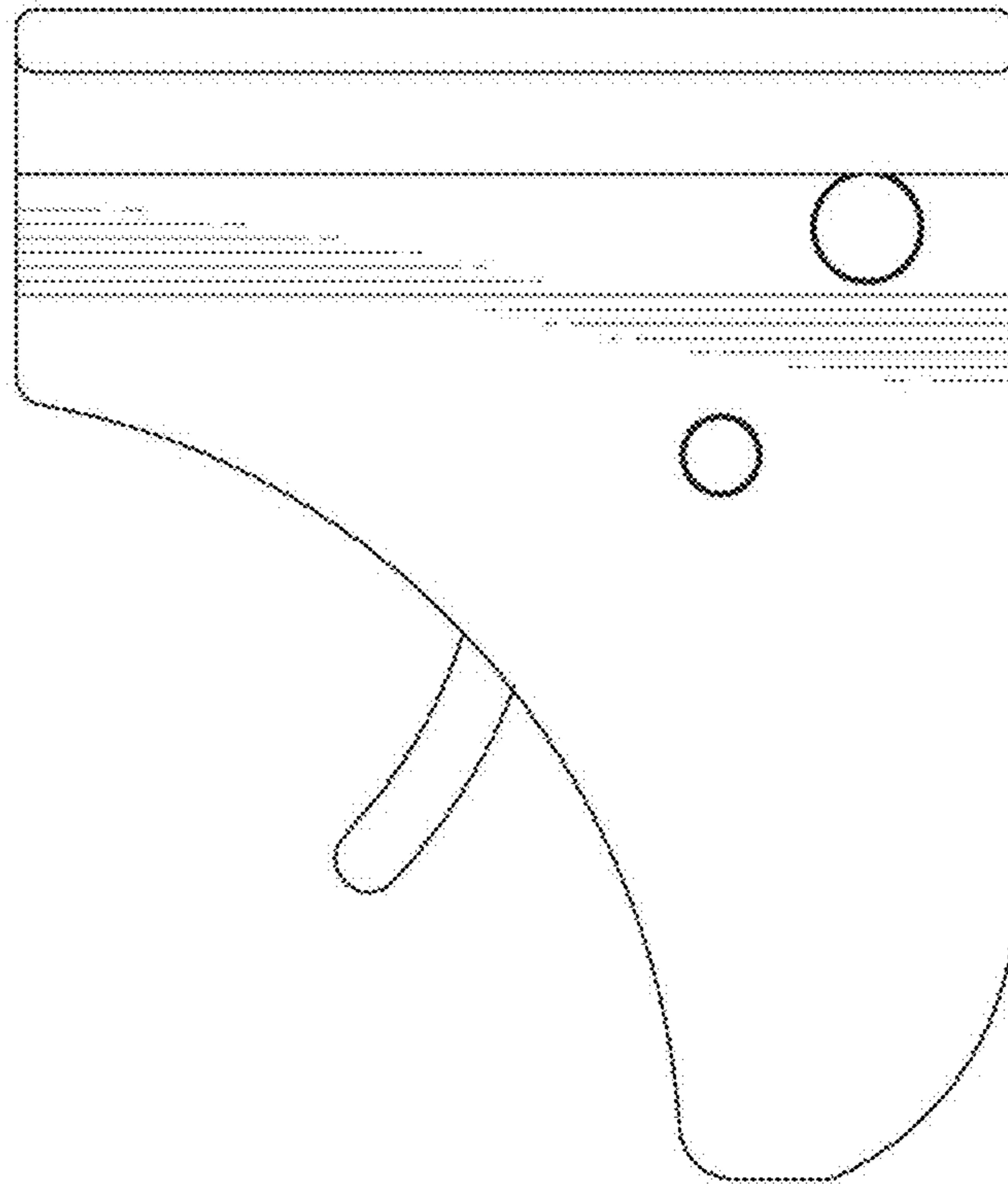


FIG. 5

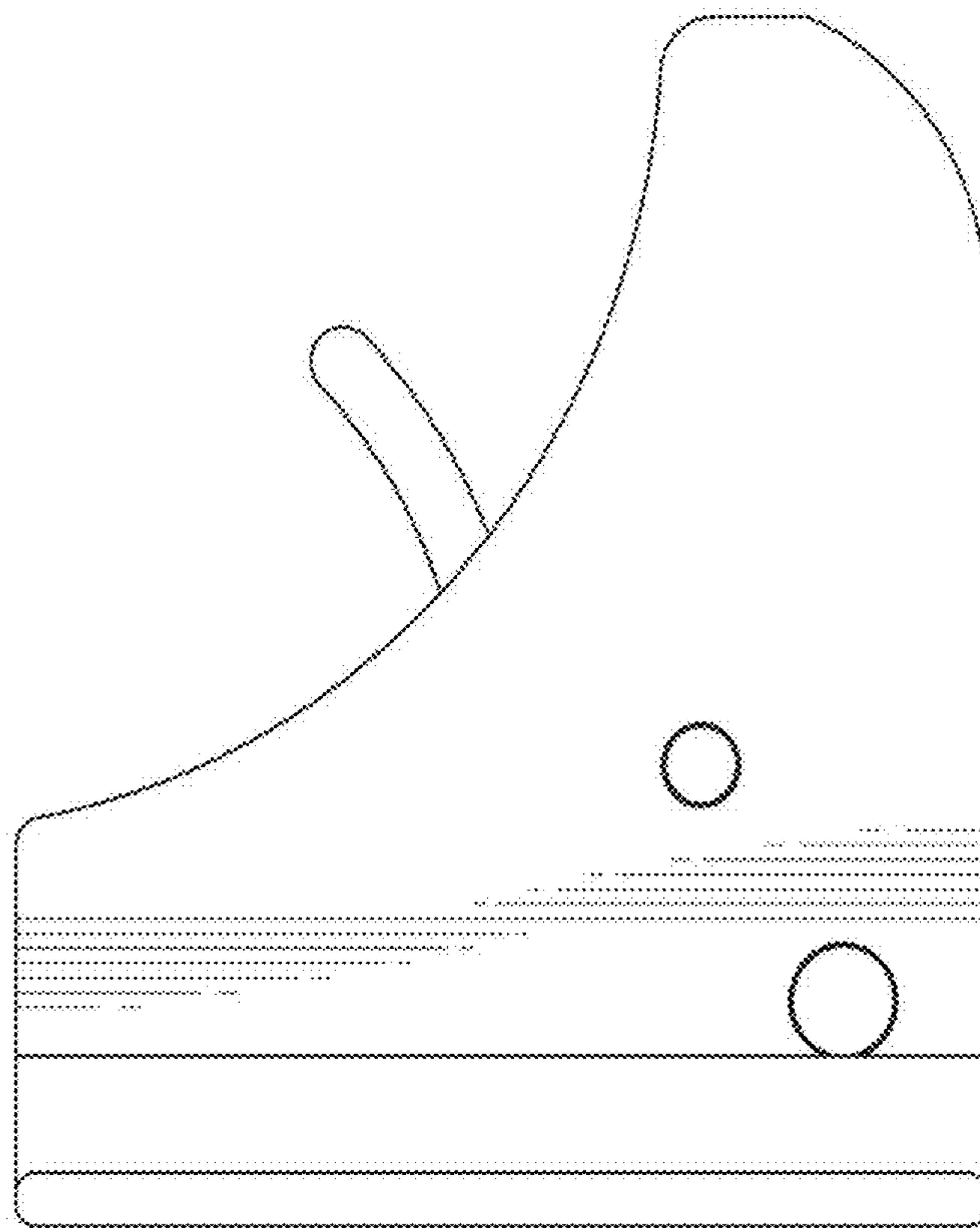


FIG. 6

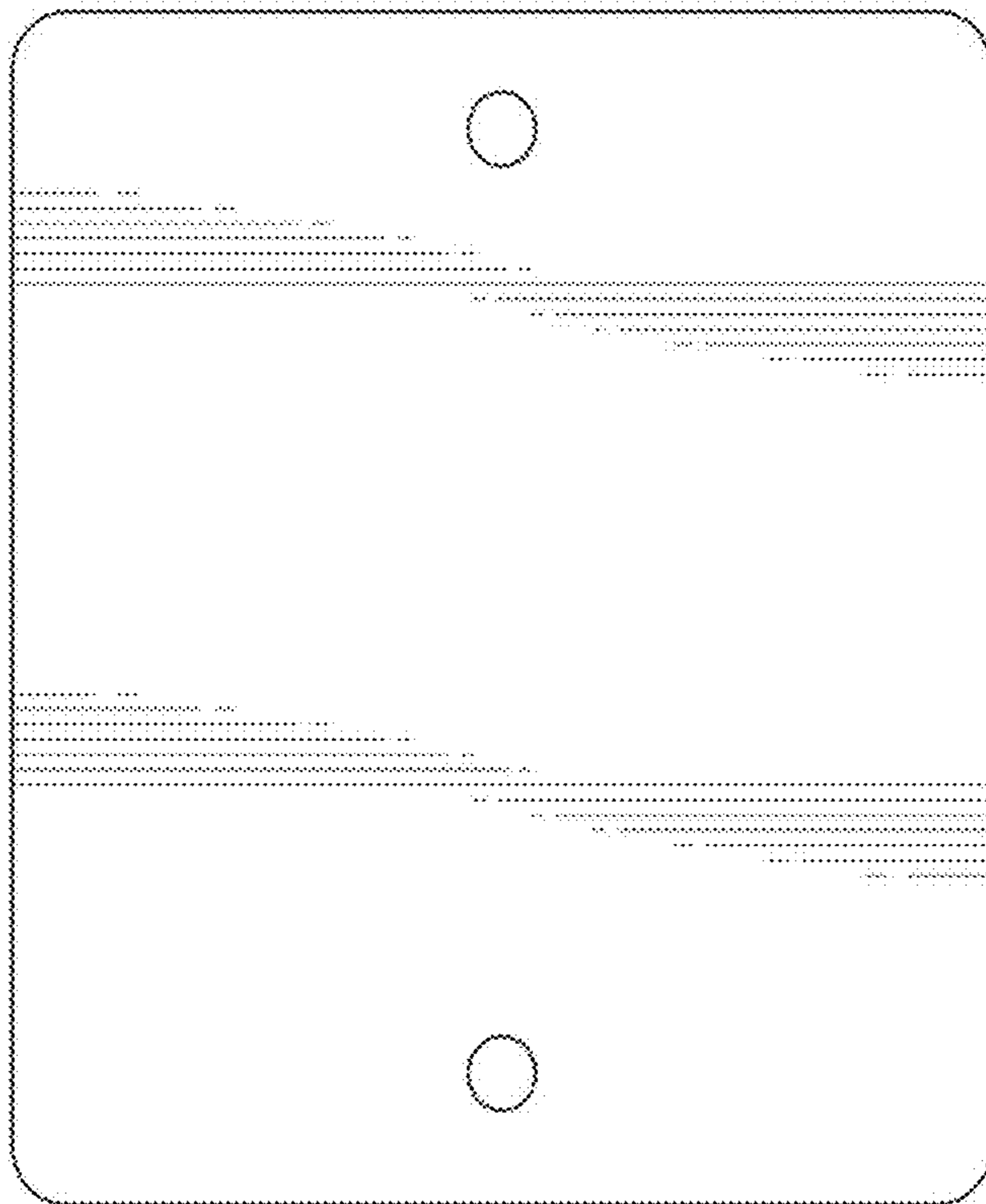


FIG. 7