



US00D937657S

(12) **United States Design Patent** (10) **Patent No.:** **US D937,657 S**  
**Chen** (45) **Date of Patent:** **\*\* Dec. 7, 2021**

(54) **KEYPAD DOOR LOCK**

9,803,394 B2 \* 10/2017 Frolov ..... G07C 9/00174  
9,940,767 B2 \* 4/2018 Bacon ..... E05B 47/026  
10,041,275 B2 \* 8/2018 Wu ..... E05B 37/02

(71) Applicant: **Jeff Chen**, Chiayi (TW)

\* cited by examiner

(72) Inventor: **Jeff Chen**, Chiayi (TW)

*Primary Examiner* — Doris Clark

(\*\*) Term: **15 Years**

(74) *Attorney, Agent, or Firm* — Karin L. Williams; Alan D. Kamrath; Mayer & Williams PC

(21) Appl. No.: **29/738,233**

(57) **CLAIM**

(22) Filed: **Jun. 16, 2020**

The ornamental design for a keypad door lock, as shown and described.

(51) **LOC (13) Cl.** ..... **08-07**

**DESCRIPTION**

(52) **U.S. Cl.**

USPC ..... **D8/331**

(58) **Field of Classification Search**

USPC ..... D8/331

CPC . E05C 1/002; E05C 1/004; E05C 1/08; E05C 1/006; E05C 1/00; E05C 3/002; E05C 3/004; E05C 3/006; E05C 3/008; E05C 3/12; E05B 47/00; E05B 47/0001; E05B 13/103; E05B 13/105; E05B 17/147; E05B 17/145; E05B 37/00; E05B 37/0031

See application file for complete search history.

FIG. 1 is a front side perspective view of a keypad door lock showing my design;

FIG. 2 is a rear side perspective view of the keypad door lock as shown in FIG. 1;

FIG. 3 is a front elevational view of the keypad door lock as shown in FIG. 1;

FIG. 4 is a rear elevational view of the keypad door lock as shown in FIG. 1;

FIG. 5 is a left side elevational view of the keypad door lock as shown in FIG. 1;

FIG. 6 is a right side elevational view of the keypad door lock as shown in FIG. 1;

FIG. 7 is a top plan view of the keypad door lock as shown in FIG. 1; and,

FIG. 8 is a bottom plan view of the keypad door lock as shown in FIG. 1.

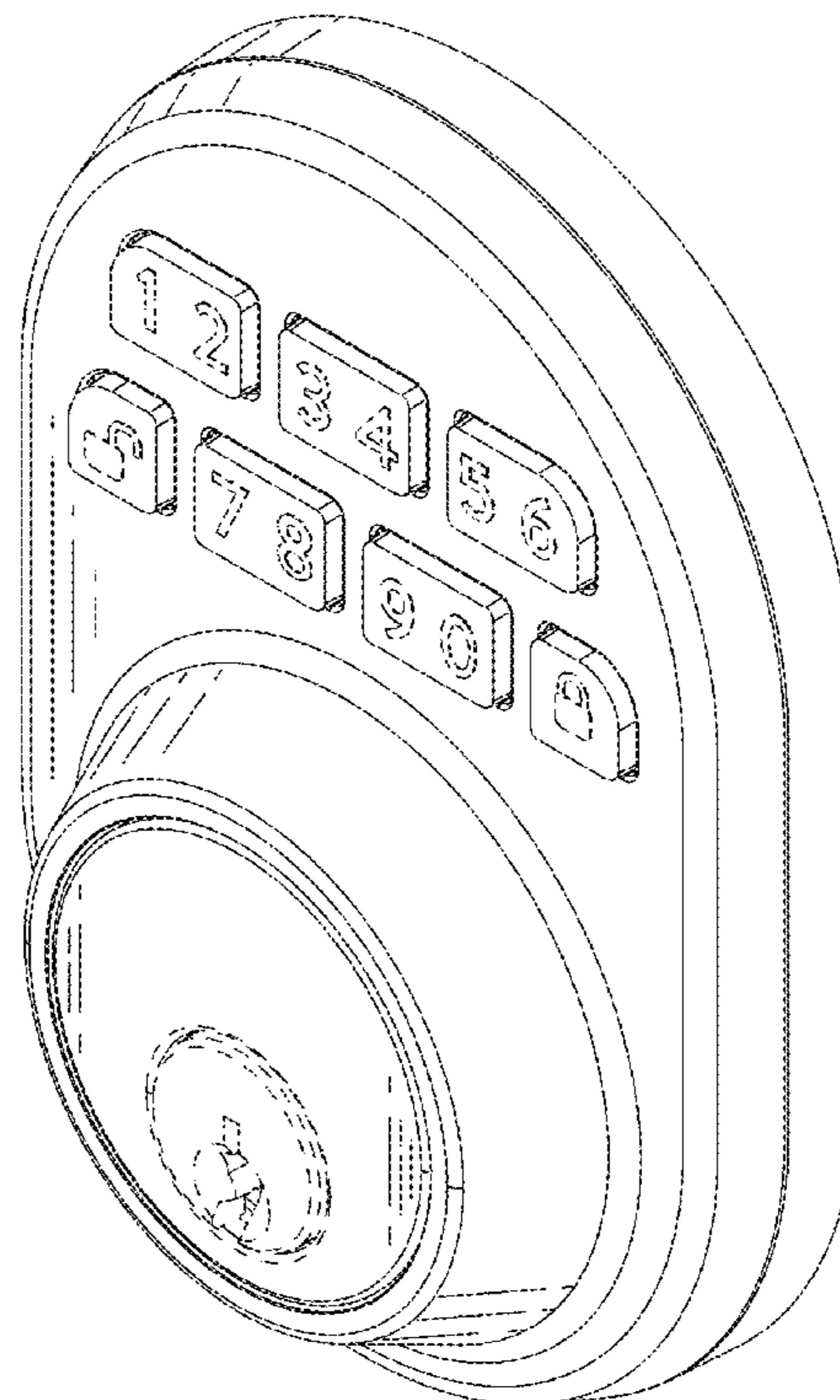
The broken lines, shown in the drawings, indicate portions of a keypad door lock which form no part of the claimed design.

(56) **References Cited**

U.S. PATENT DOCUMENTS

8,869,574 B2 \* 10/2014 Schmidt-Lackner ..... E05B 13/001  
70/129  
D735,016 S \* 7/2015 Kim ..... D8/331  
9,140,035 B2 \* 9/2015 McKibben ..... E05B 47/026  
9,347,241 B1 \* 5/2016 Peng ..... E05B 37/0048  
9,758,991 B2 \* 9/2017 Lin ..... E05B 47/00

**1 Claim, 8 Drawing Sheets**



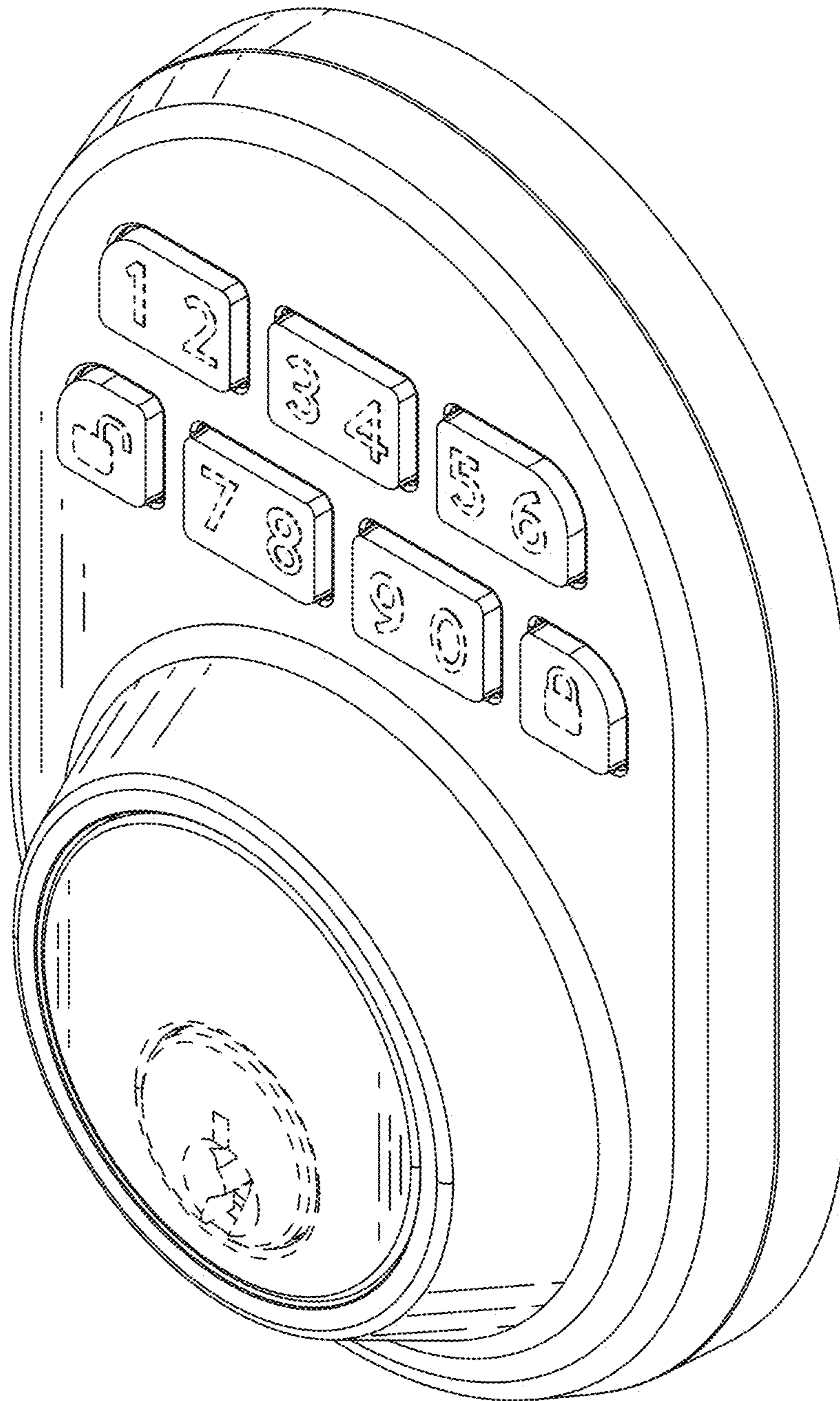


FIG. 1

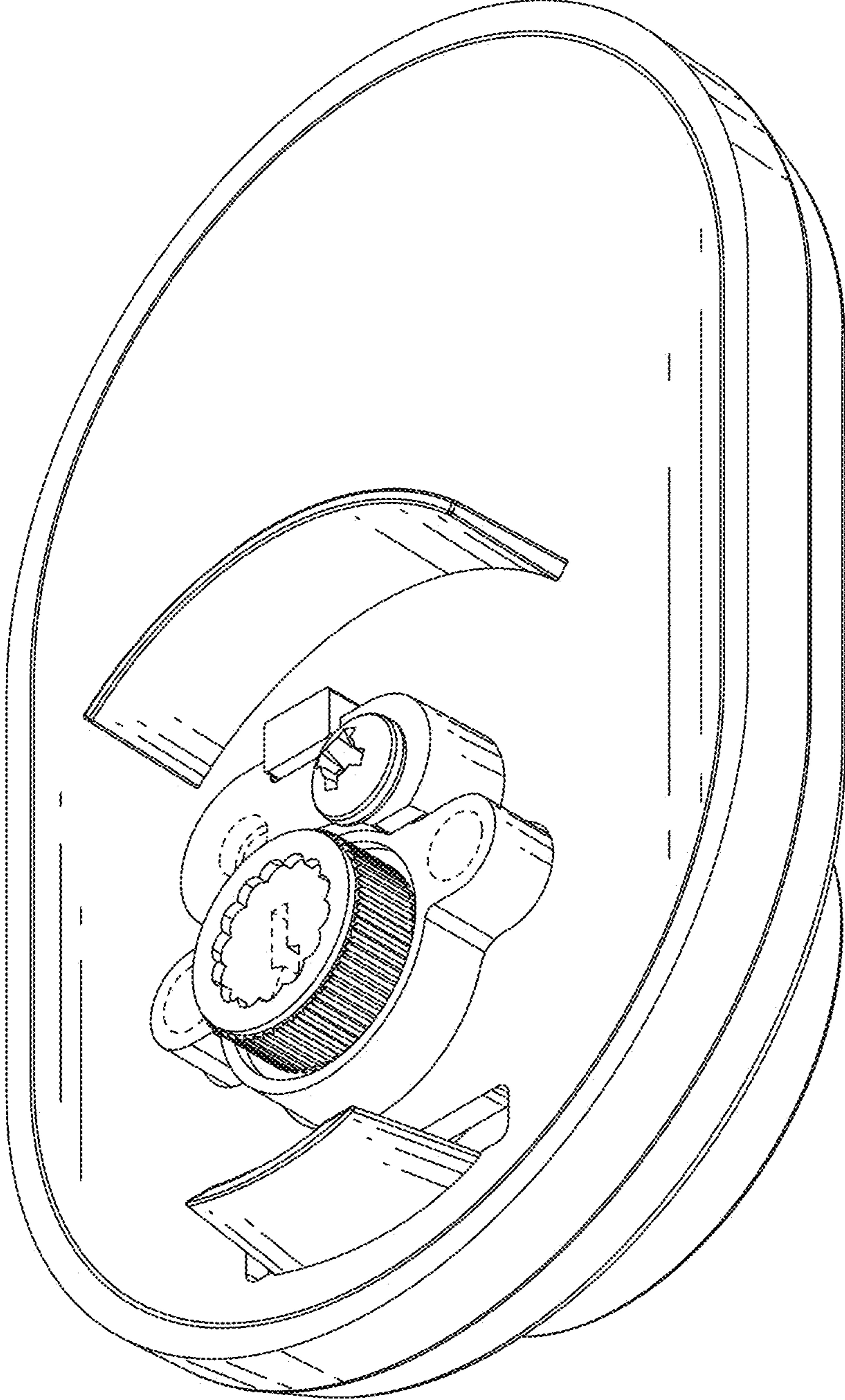


FIG. 2

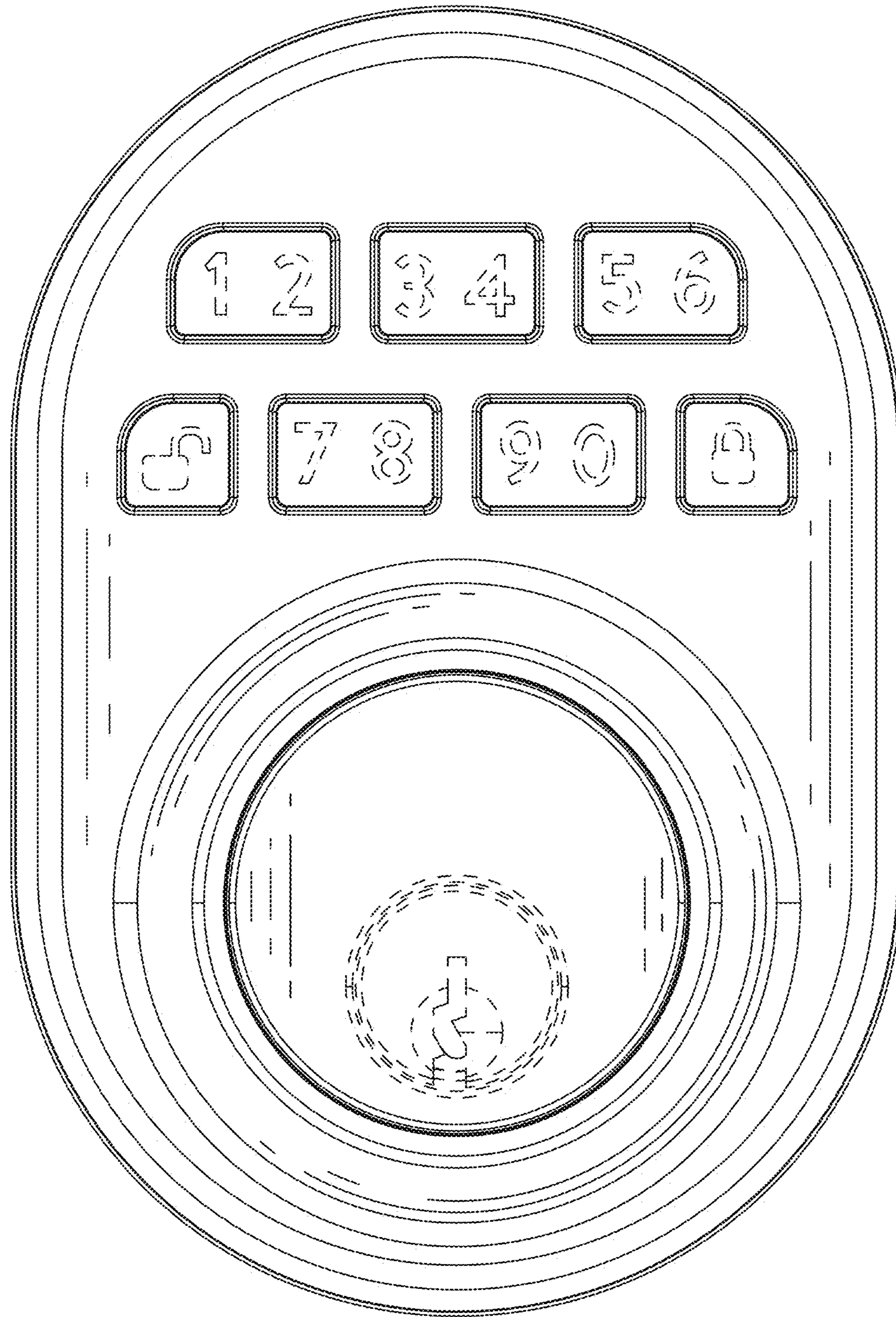


FIG. 3

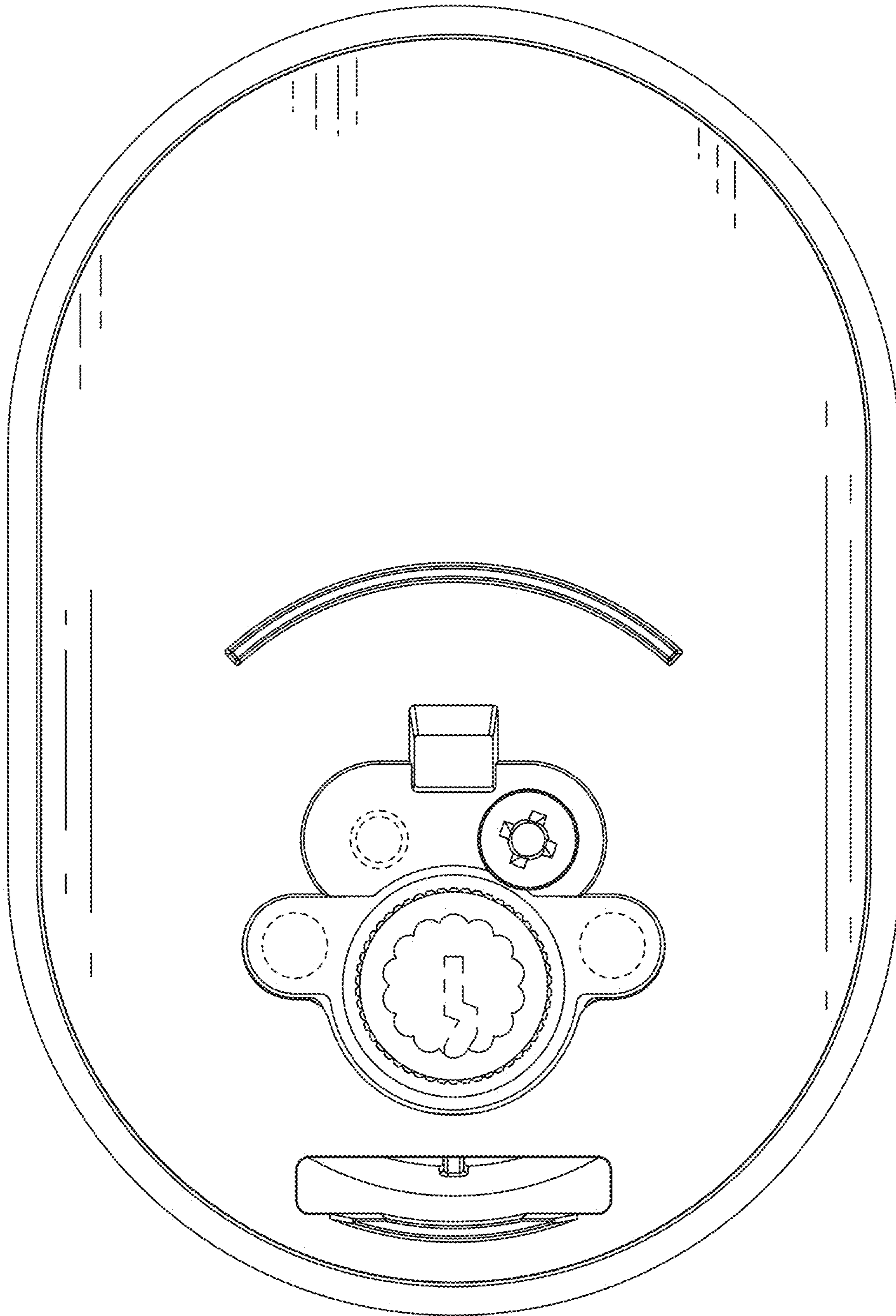


FIG. 4

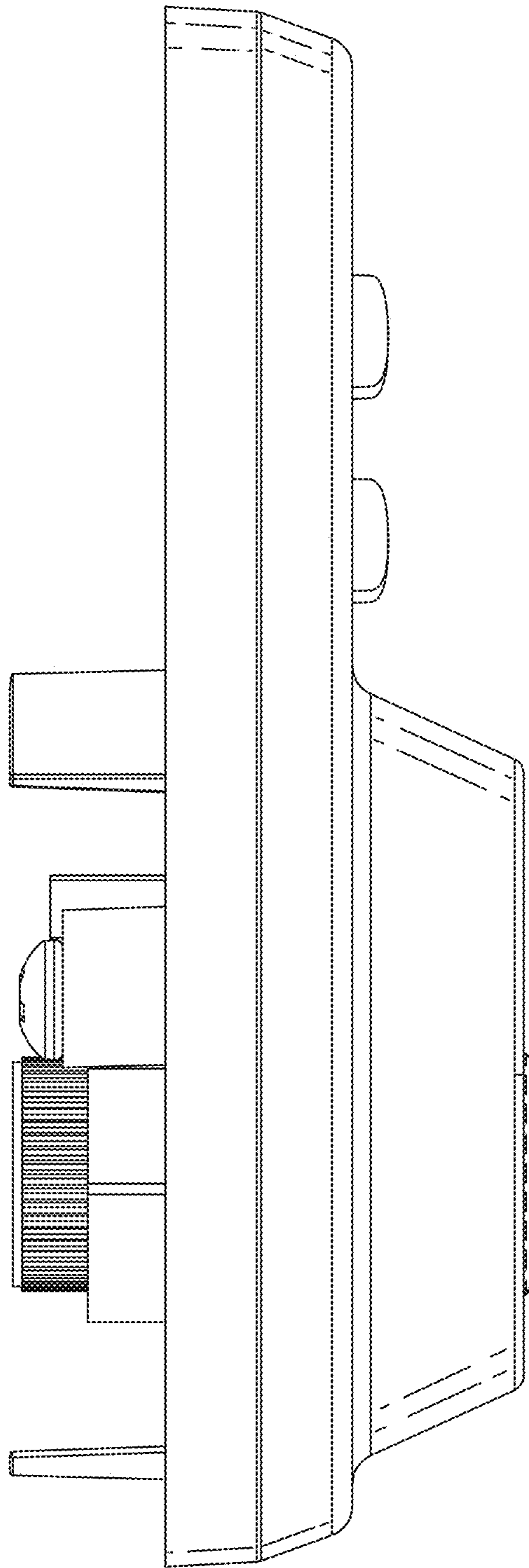


FIG. 5

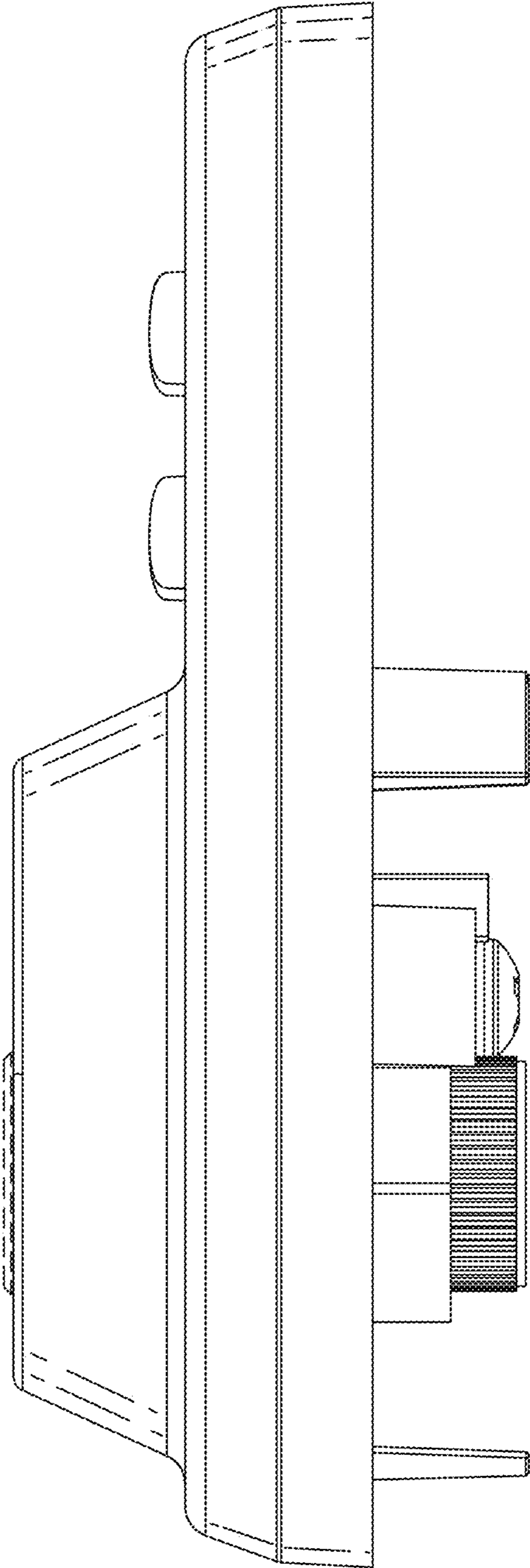


FIG. 6

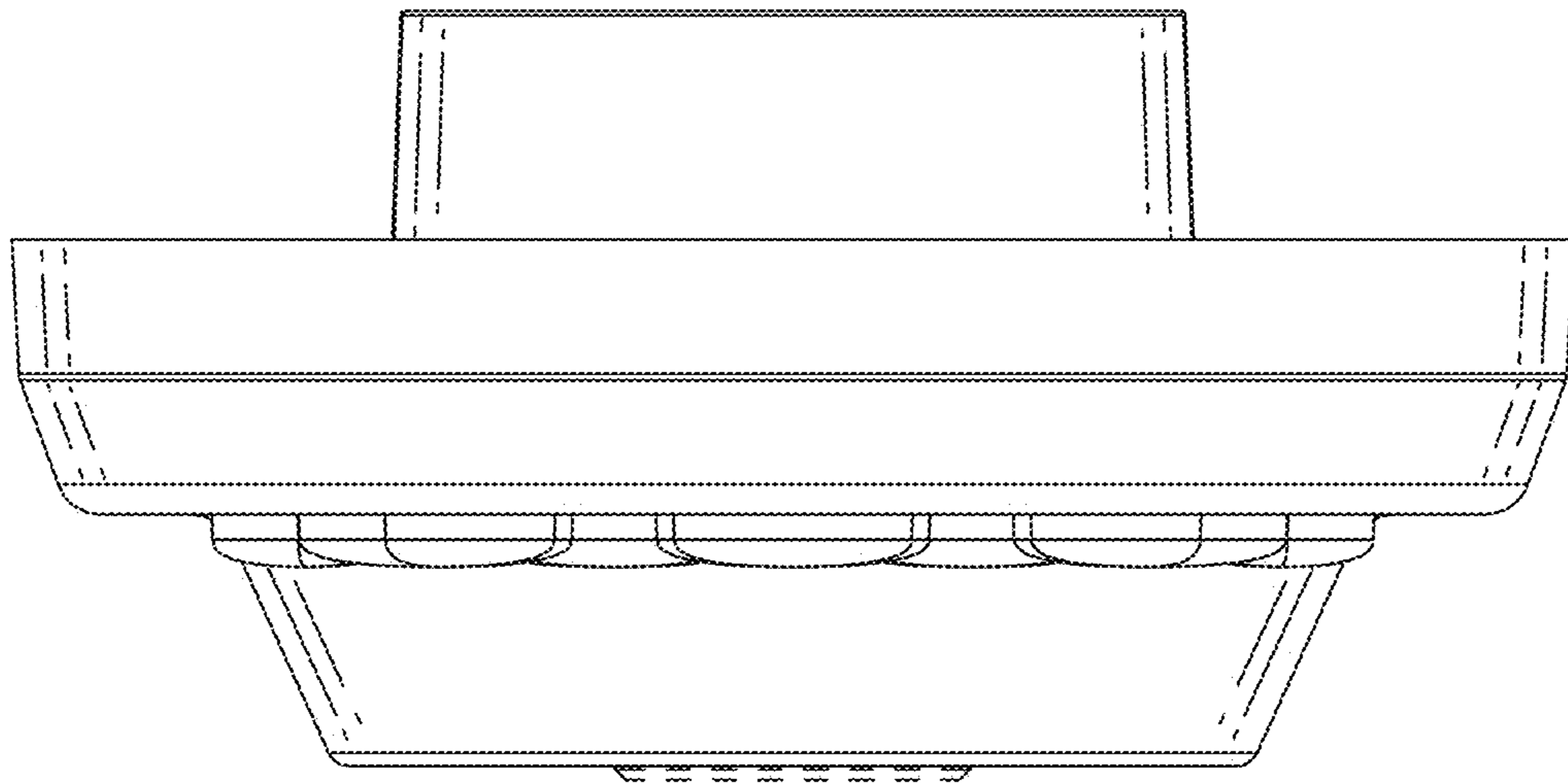


FIG. 7



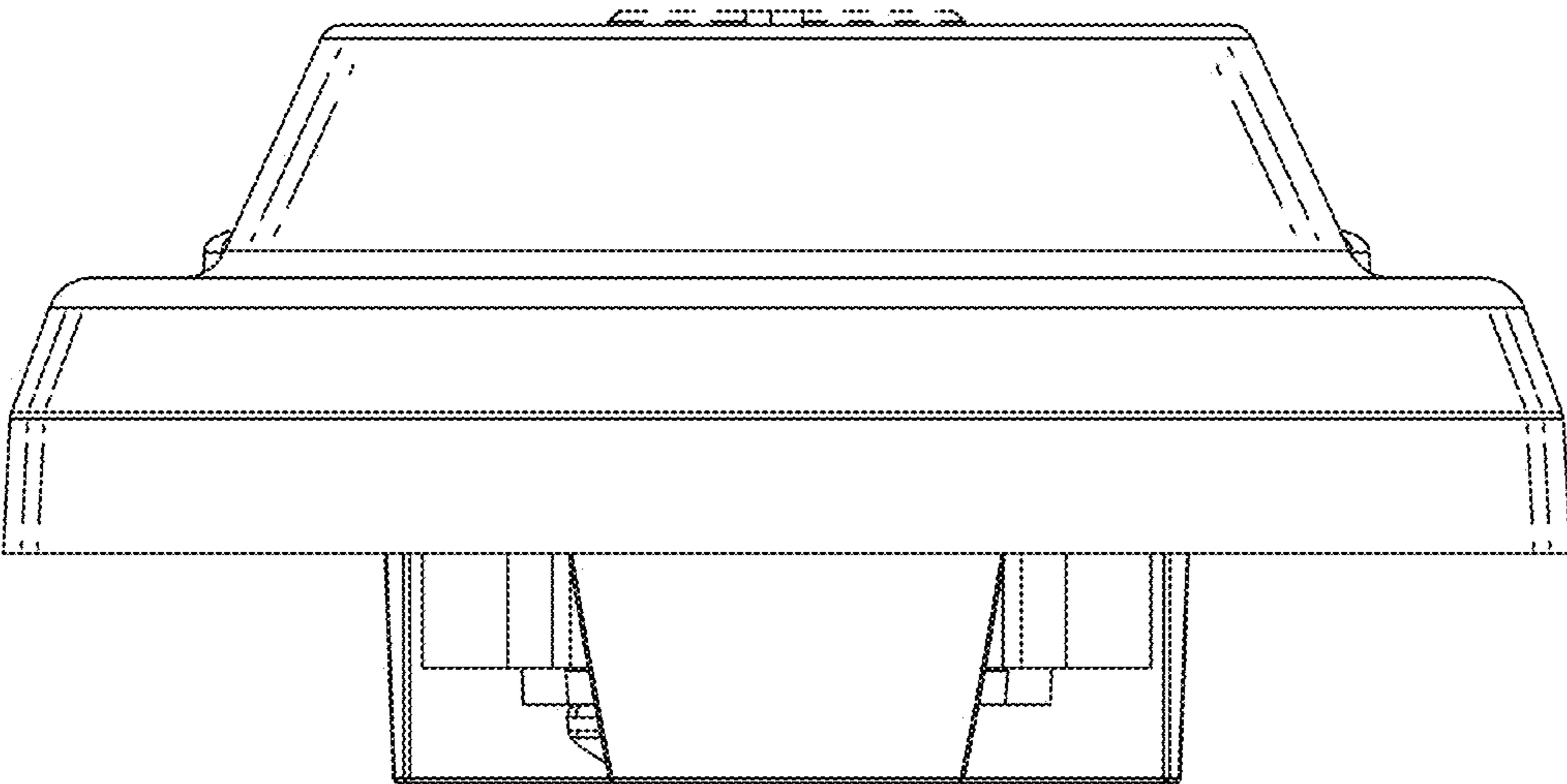


FIG. 8