

US00D937654S

(12) **United States Design Patent** (10) **Patent No.:** **US D937,654 S**
O'Halloran (45) **Date of Patent:** **** Dec. 7, 2021**

(54) **EDGE PLANE** 7,117,602 B2 * 10/2006 Saunders B27G 17/02
30/489
(71) Applicant: **Woodpeckers, LLC**, Strongsville, OH D602,327 S * 10/2009 Hyde D8/101
(US) D605,023 S * 12/2009 Hyde D8/101

(72) Inventor: **Edward Alan O'Halloran**, Elyria, OH
(US)

(73) Assignee: **woodpeckers, llc**, Strongsville, OH
(US)

(**) Term: **15 Years**

(21) Appl. No.: **29/747,737**

(22) Filed: **Aug. 25, 2020**

(51) **LOC (13) Cl.** **08-05**

(52) **U.S. Cl.**
USPC **D8/101**

(58) **Field of Classification Search**
USPC D8/14, 45, 51, 98, 101
CPC B27G 17/02; B27G 17/025
See application file for complete search history.

(56) **References Cited**

U.S. PATENT DOCUMENTS

D207,503 S * 4/1967 Bow D8/101
3,644,993 A * 2/1972 Chupp B27D 5/006
30/280
3,766,649 A * 10/1973 Winbauer A63C 11/06
30/287
D474,955 S * 5/2003 Saunders D8/101
6,625,889 B2 * 9/2003 Belsaas B23D 79/08
30/125
6,745,476 B2 * 6/2004 Korba, Jr. B26B 29/06
30/243

OTHER PUBLICATIONS

LUFYAN Woodworking Edge Corner Plane, Amazon.com, First available Dec. 4, 2020.*

* cited by examiner

Primary Examiner — Philip S Hyder

(74) *Attorney, Agent, or Firm* — Sand Sebolt & Wernow LPA

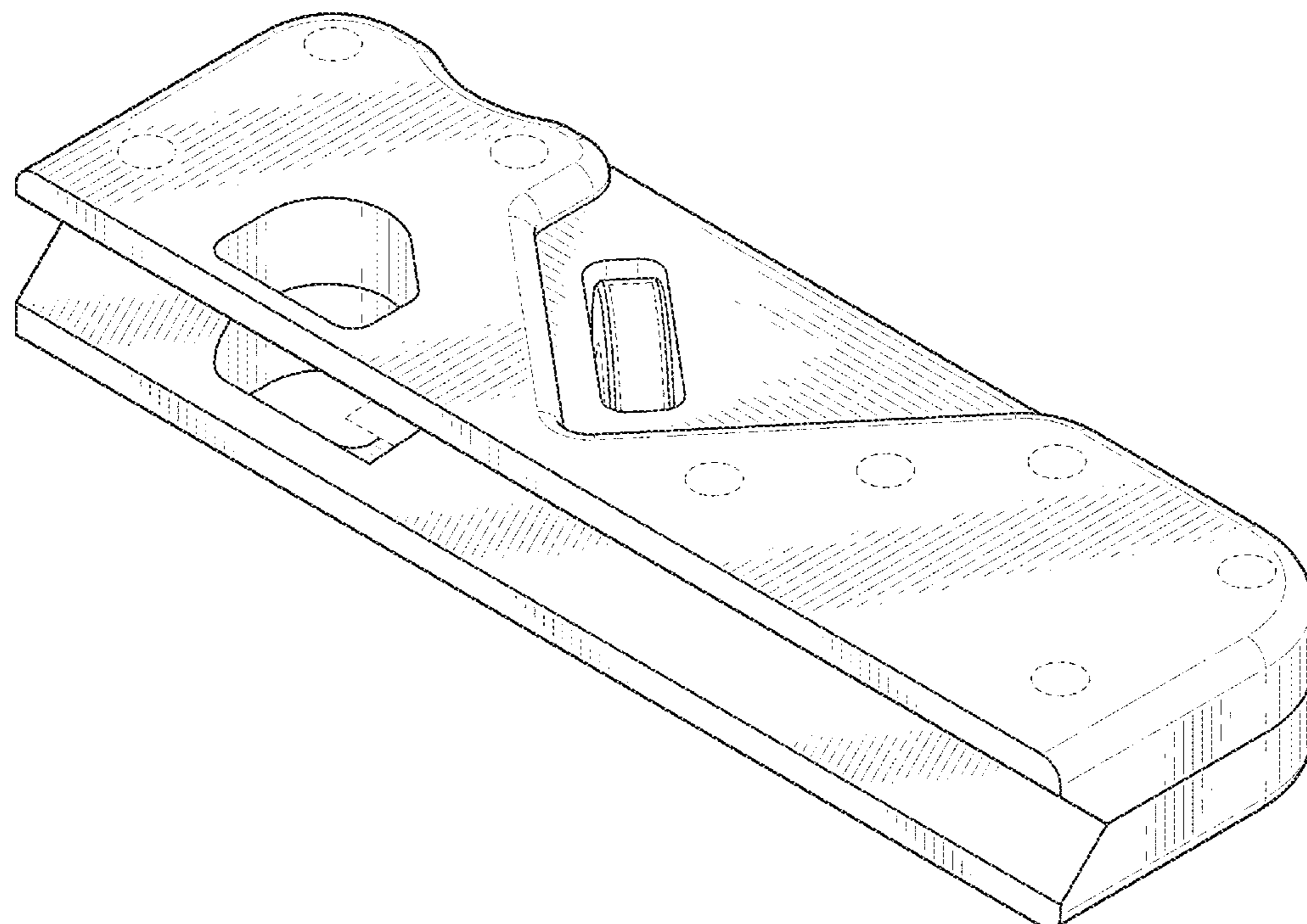
(57) **CLAIM**

The ornamental design for an edge plane, as shown and described.

DESCRIPTION

FIG. 1 is a front, top, right side isometric perspective of the edge plane of the present invention; FIG. 2 is a front elevation of FIG. 1; FIG. 3 is a rear elevation of FIG. 1; FIG. 4 is a top plan view thereof; FIG. 5 is a bottom plan view thereof; FIG. 6 is a left side elevation view thereof; and, FIG. 7 is a right side elevation view thereof. The broken lines illustrate portions of the edge plane which form no part of the claimed design.

1 Claim, 5 Drawing Sheets



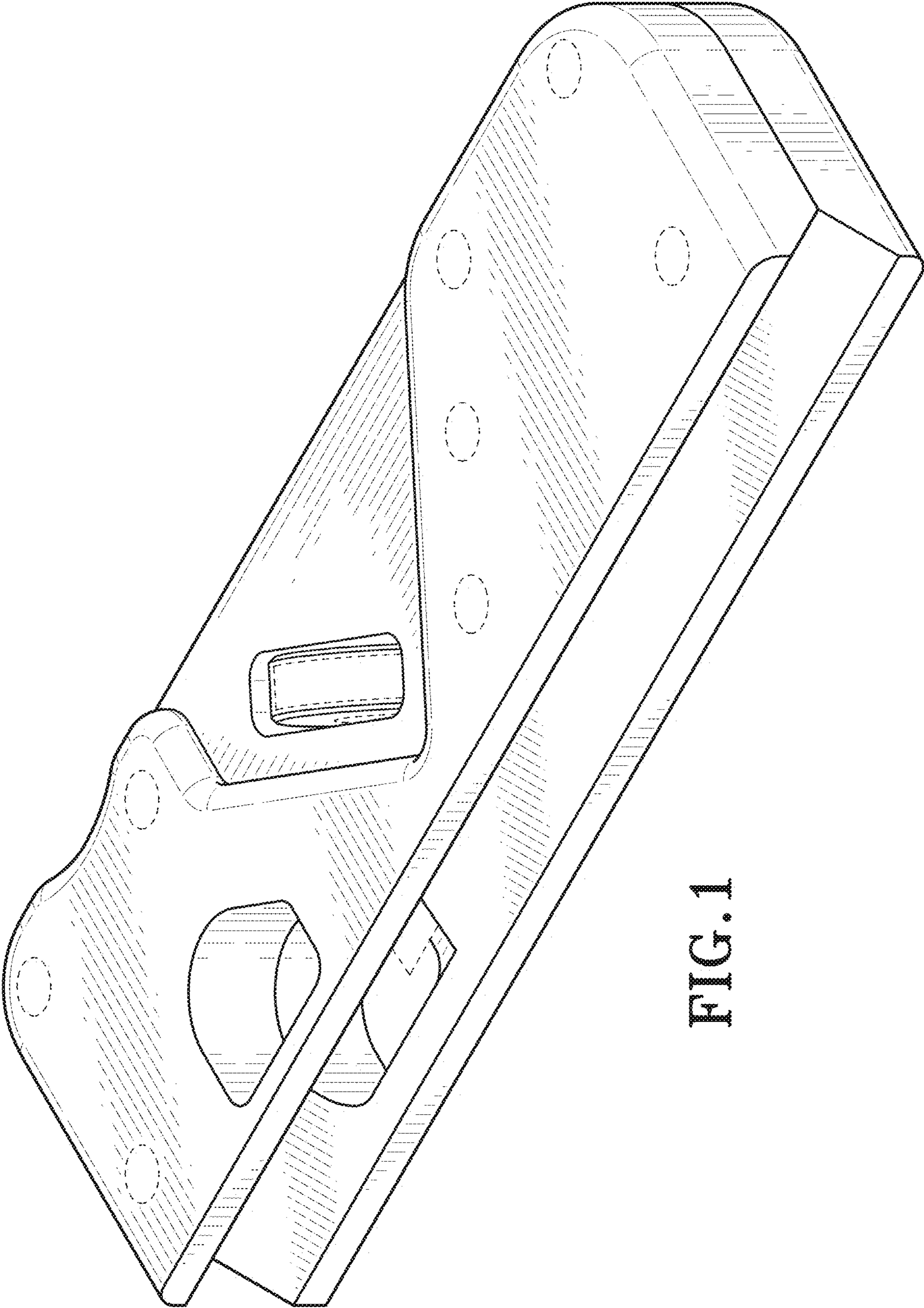


FIG. 1

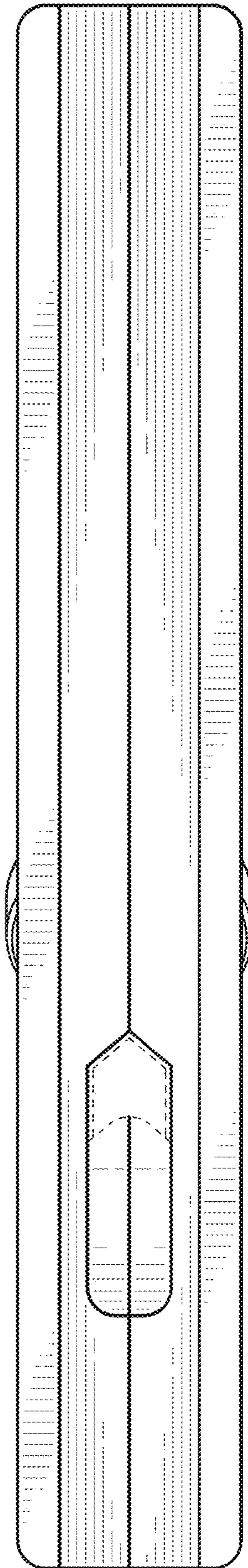


FIG. 2

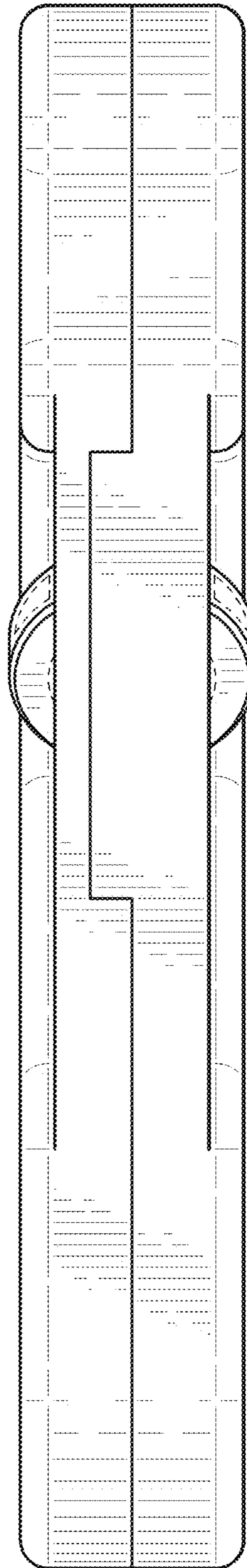


FIG. 3

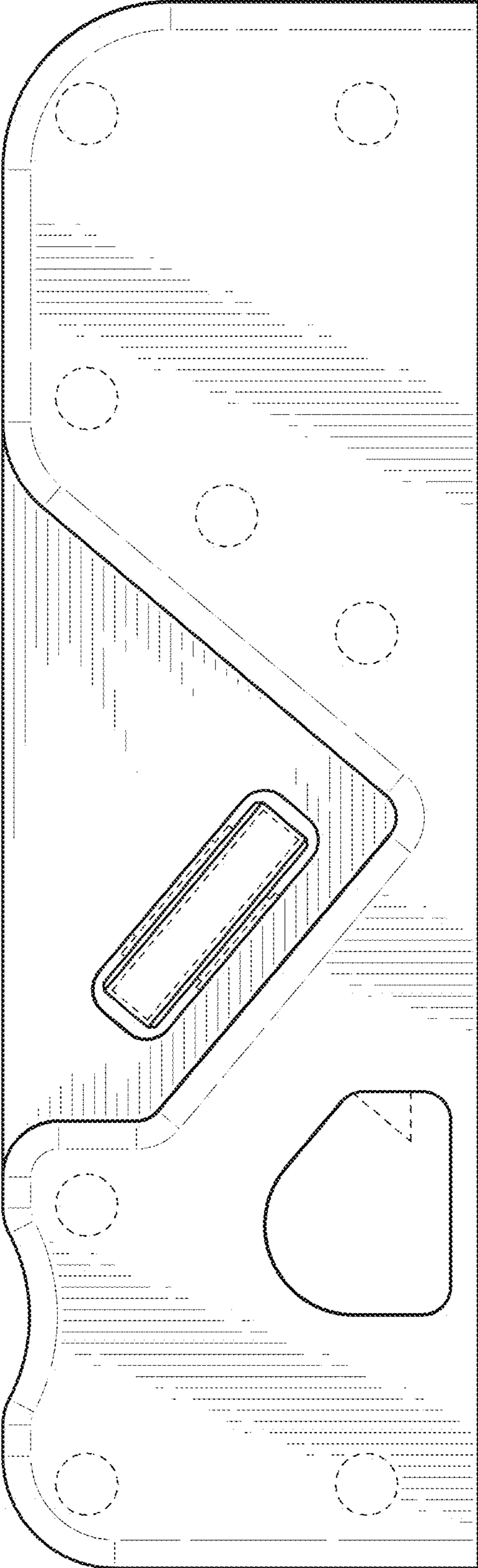


FIG.4

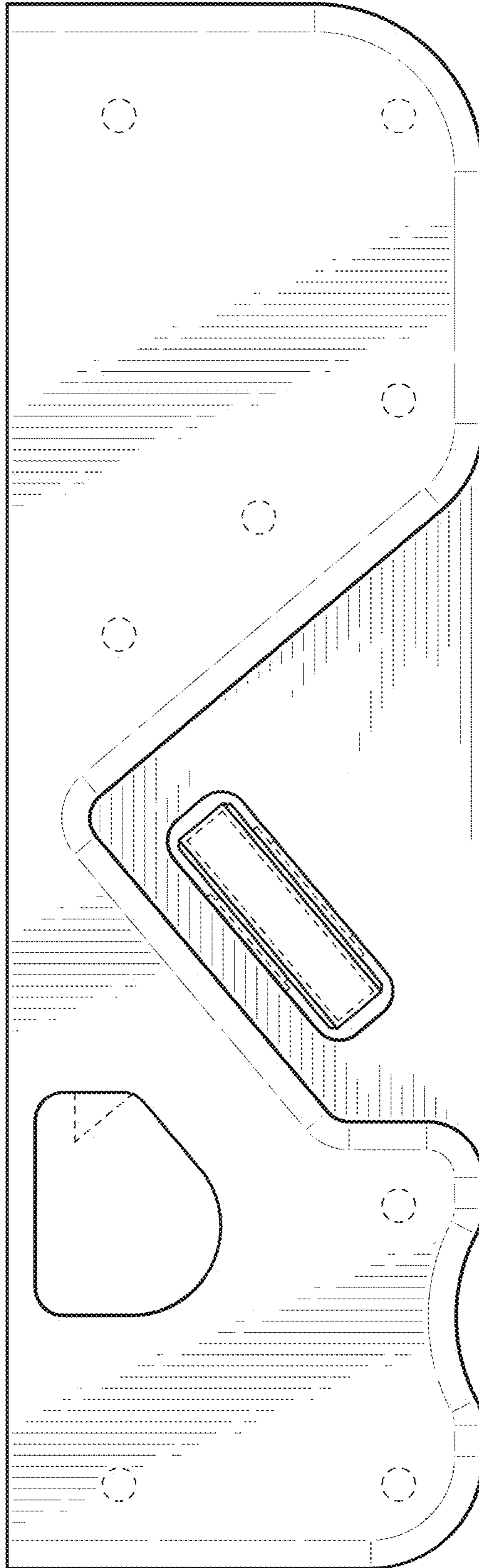


FIG. 5

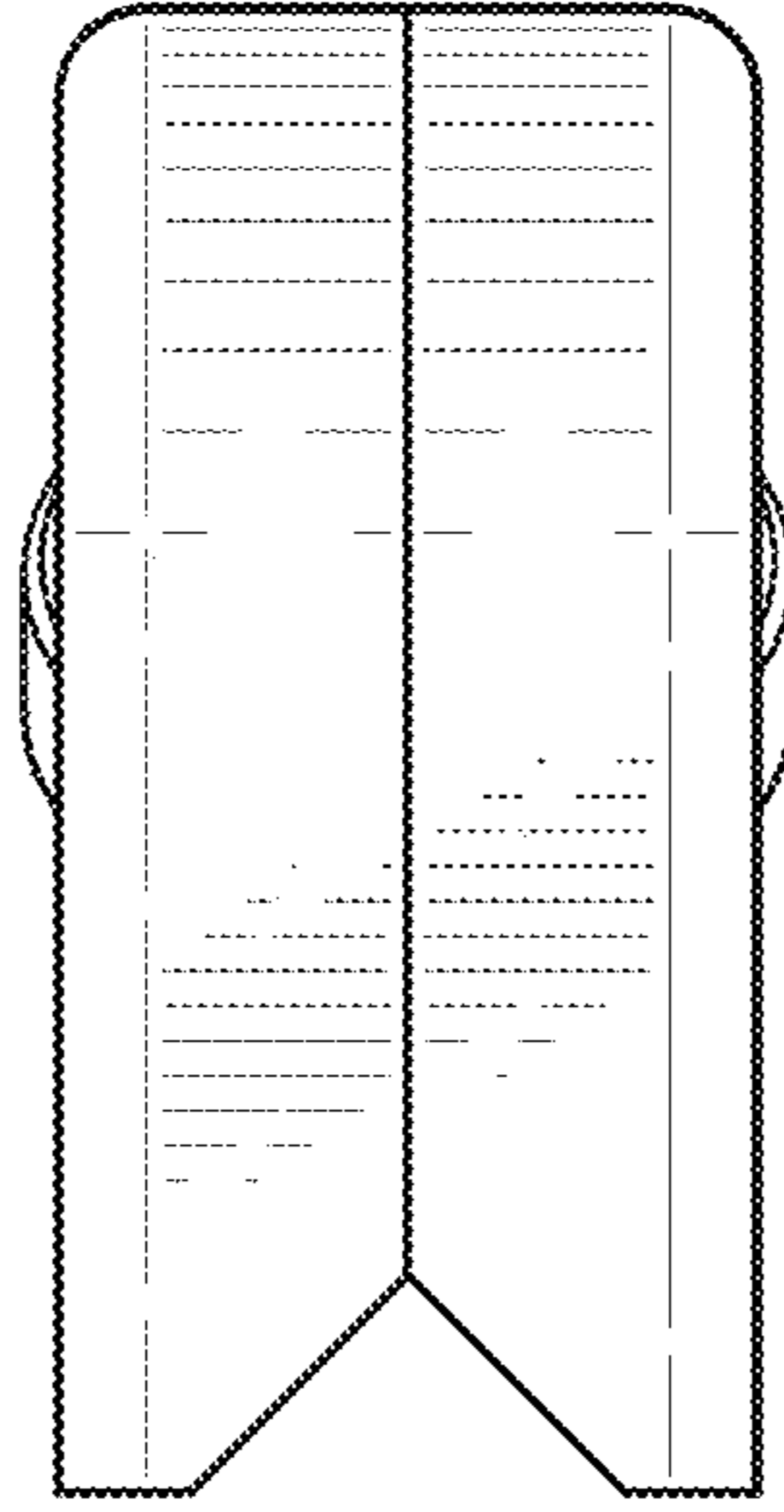


FIG. 7

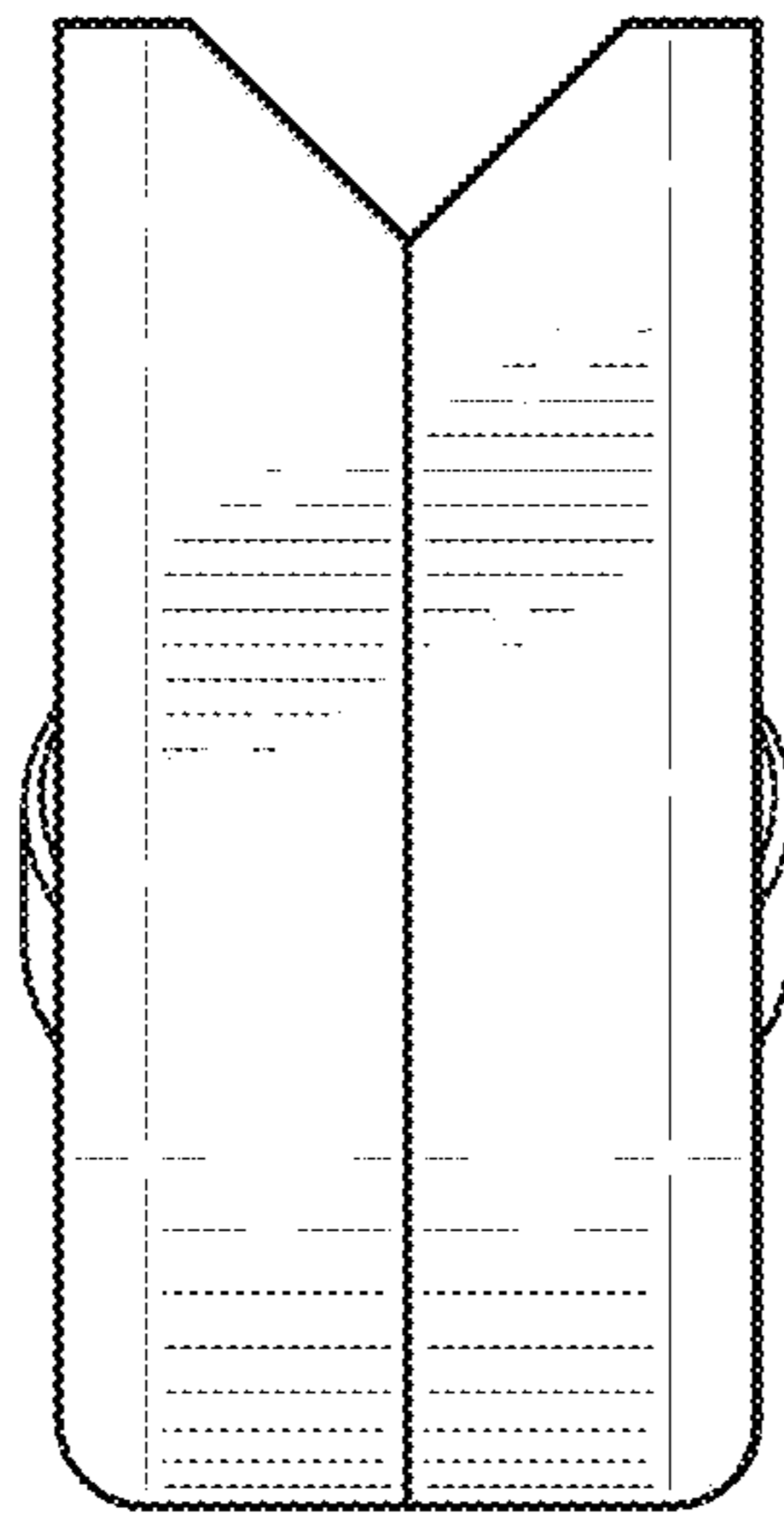


FIG. 6