



US00D937653S

(12) **United States Design Patent** (10) **Patent No.:** **US D937,653 S**  
**Omelchenko et al.** (45) **Date of Patent:** **\*\* Dec. 7, 2021**

(54) **POCKET KNIFE**

(71) Applicants: **Anatoliy Omelchenko**, Brooklyn, NY (US); **Nataliia Omelchenko**, Brooklyn, NY (US)

(72) Inventors: **Anatoliy Omelchenko**, Brooklyn, NY (US); **Nataliia Omelchenko**, Brooklyn, NY (US)

(\*\*) Term: **15 Years**

(21) Appl. No.: **29/746,543**

(22) Filed: **Aug. 14, 2020**

(51) **LOC (13) Cl.** ..... **08-03**

(52) **U.S. Cl.**  
USPC ..... **D8/99**

(58) **Field of Classification Search**  
USPC ..... D8/98, 99, 100, 105, 107  
CPC ..... B26B 5/001; B26B 5/003; B26B 11/00;  
B26B 1/08; B26B 1/02; B26B 1/10;  
B26B 1/04; B26B 1/042; B26B 1/044;  
B26B 1/048; B26B 3/08; B26B 29/06;  
B26B 5/00

See application file for complete search history.

(56) **References Cited**

**U.S. PATENT DOCUMENTS**

D379,294 S *	5/1997	Lum	.....	D8/99
D461,387 S *	8/2002	Glesser	.....	D8/99
D497,531 S *	10/2004	Carter, III	.....	D8/99
D581,240 S *	11/2008	Glesser	.....	D8/99
D677,551 S *	3/2013	Pelton	.....	B26B 11/006 D8/99
D697,780 S *	1/2014	Pelton	.....	D8/99
D747,946 S *	1/2016	Carey	.....	D8/99

D765,217 S *	8/2016	Tom	.....	D22/118
D768,457 S *	10/2016	Yuhuan	.....	D8/99
D772,676 S *	11/2016	Qiuliang	.....	D8/99
9,592,612 B2 *	3/2017	Koenig	.....	B26B 1/06
D801,775 S *	11/2017	Tsujimoto	.....	D8/99
9,943,970 B2 *	4/2018	Glesser	.....	B26B 1/048
D848,812 S *	5/2019	Bloch	.....	D8/99
2015/0128426 A1 *	5/2015	Sakai	.....	B26B 1/042 30/161

\* cited by examiner

*Primary Examiner* — Philip S Hyder

(74) *Attorney, Agent, or Firm* — Larson & Larson, P.A.;  
Justin P. Miller; Frank Liebenow

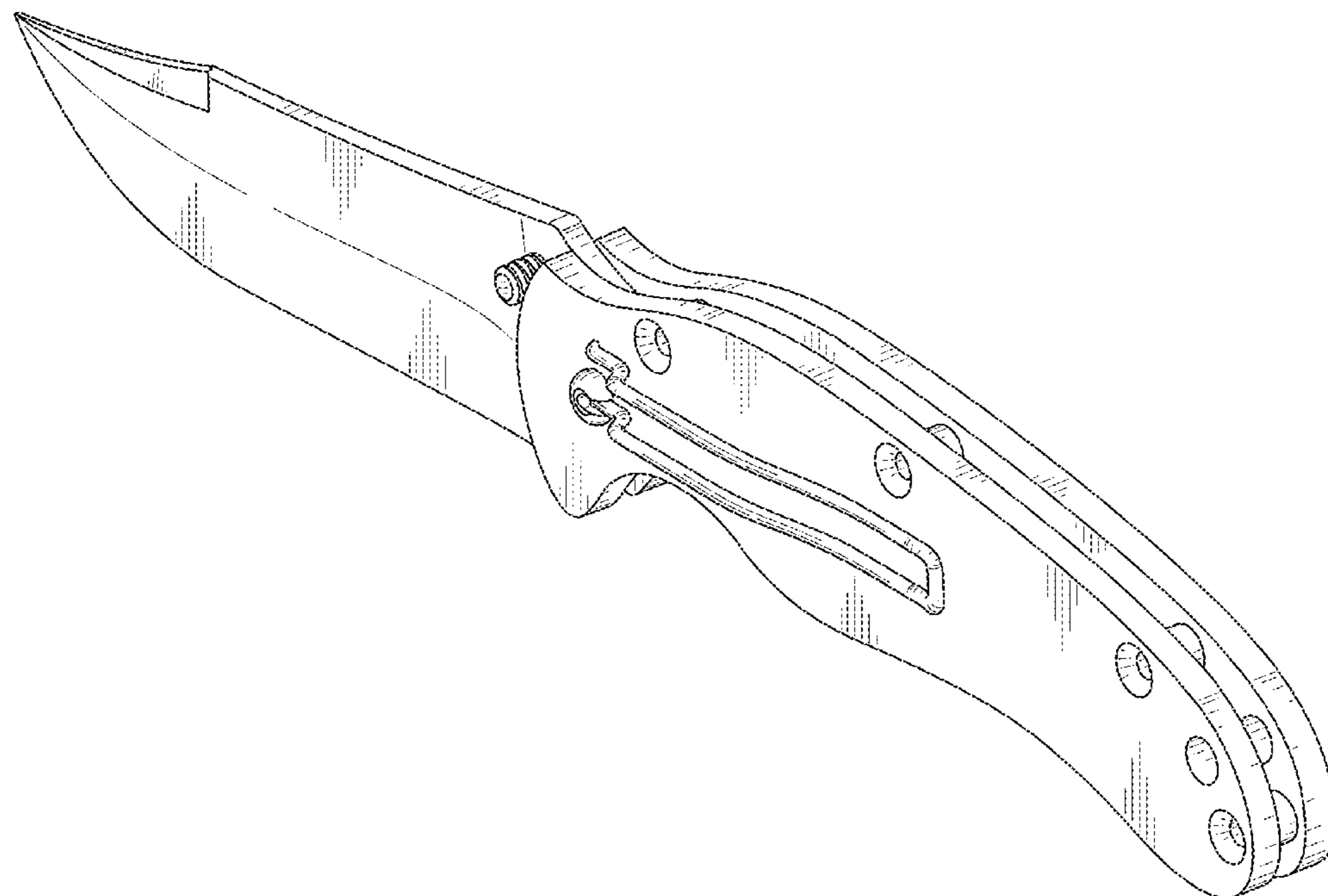
(57) **CLAIM**

We claim the ornamental design for a pocket knife, as shown and described.

**DESCRIPTION**

FIG. 1 is a perspective view of a pocket knife showing our new design;  
FIG. 2 is a left-side elevation view thereof;  
FIG. 3 is a right-side elevation view thereof;  
FIG. 4 is a rear elevation view thereof;  
FIG. 5 is a front elevation view thereof;  
FIG. 6 is a top plan view thereof;  
FIG. 7 is a bottom plan view thereof;  
FIG. 8 is a perspective view showing the pocket knife in an open position; and,  
FIG. 9 is a perspective view showing the pocket knife closed in a closed position.

**1 Claim, 5 Drawing Sheets**



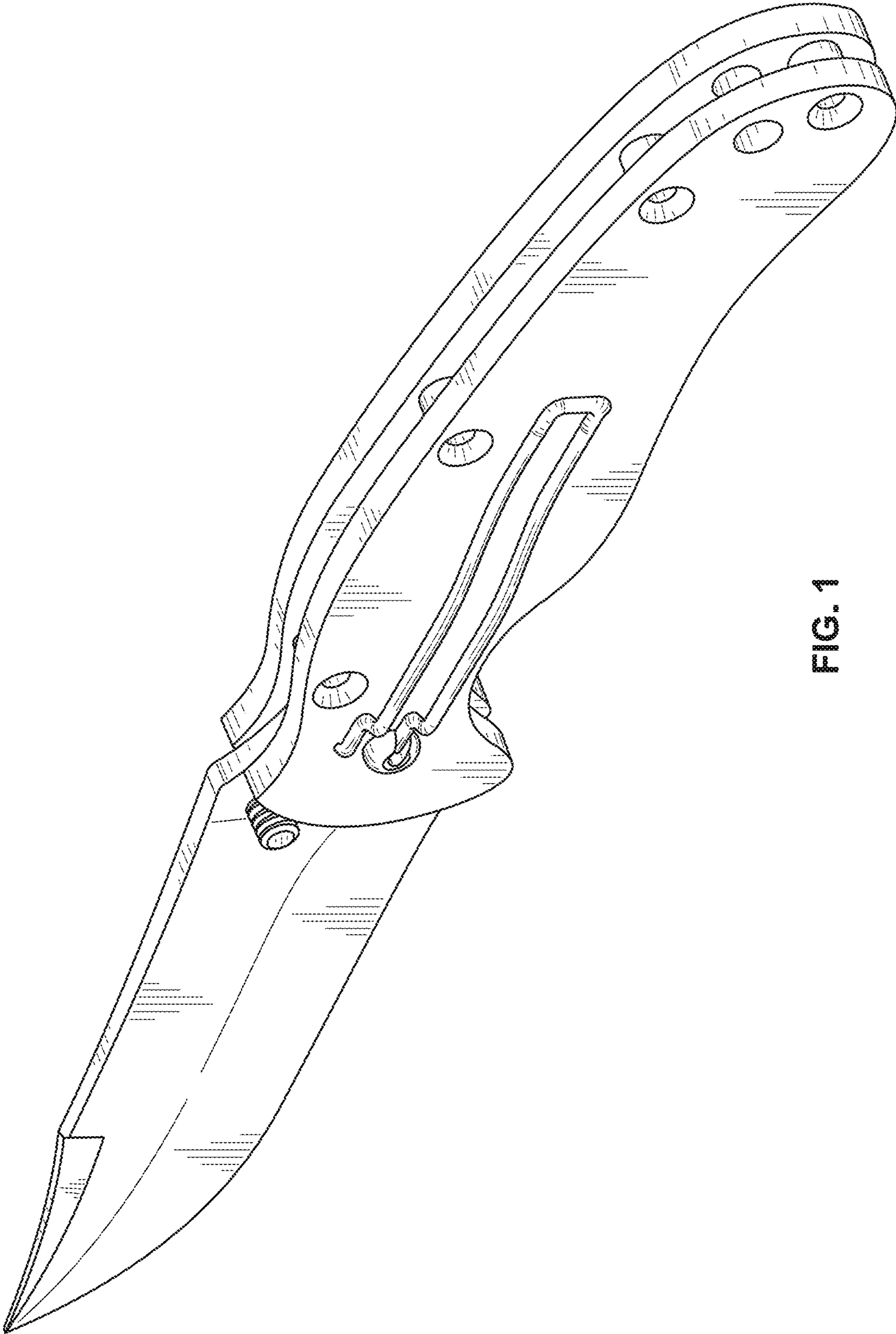


FIG. 1

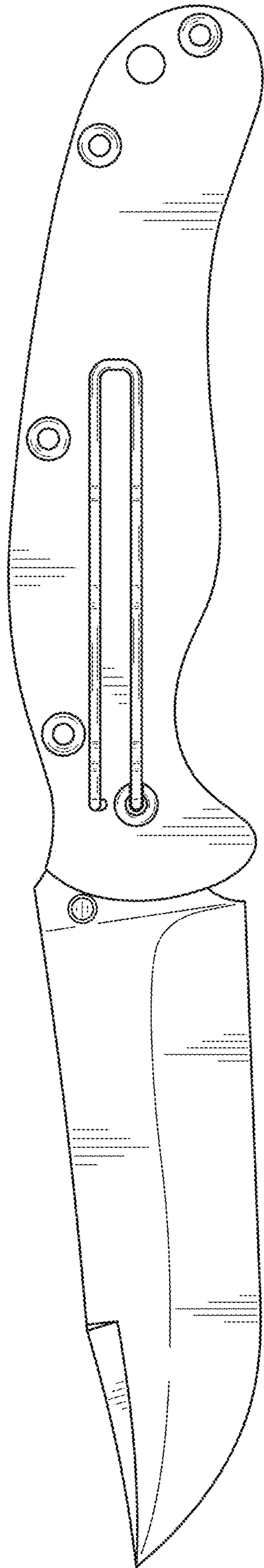


FIG. 2

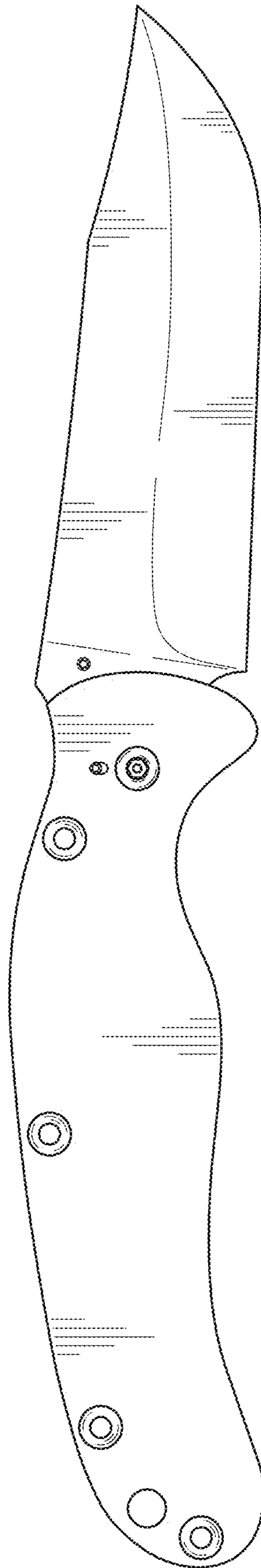


FIG. 3

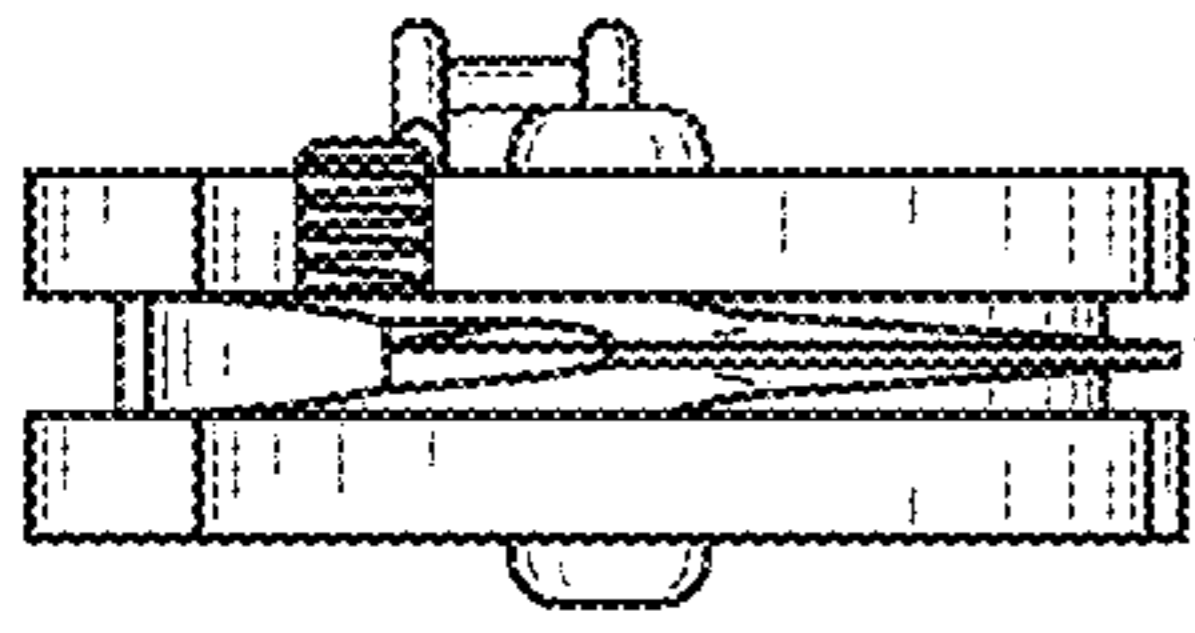


FIG. 5

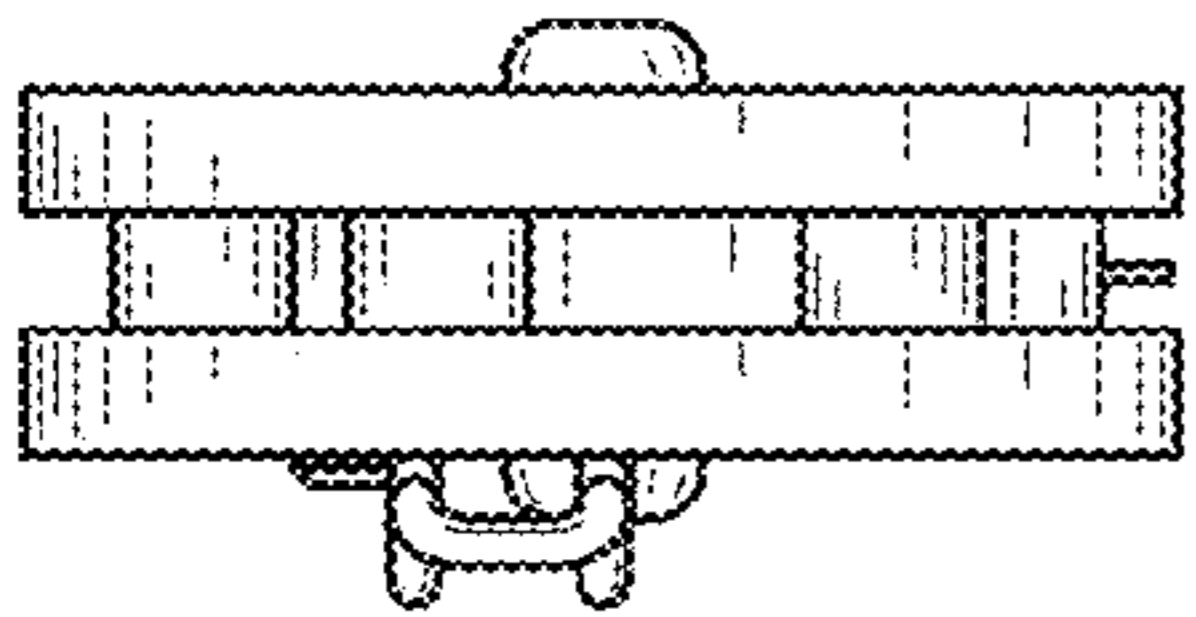


FIG. 4

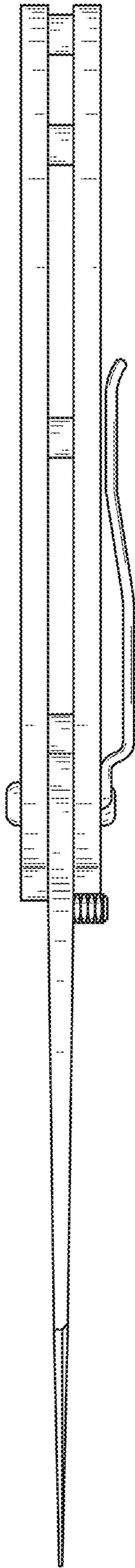


FIG. 6

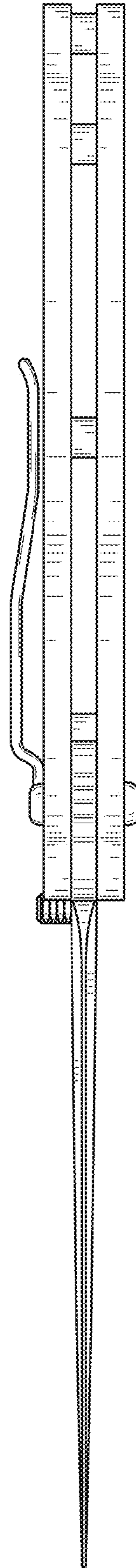


FIG. 7



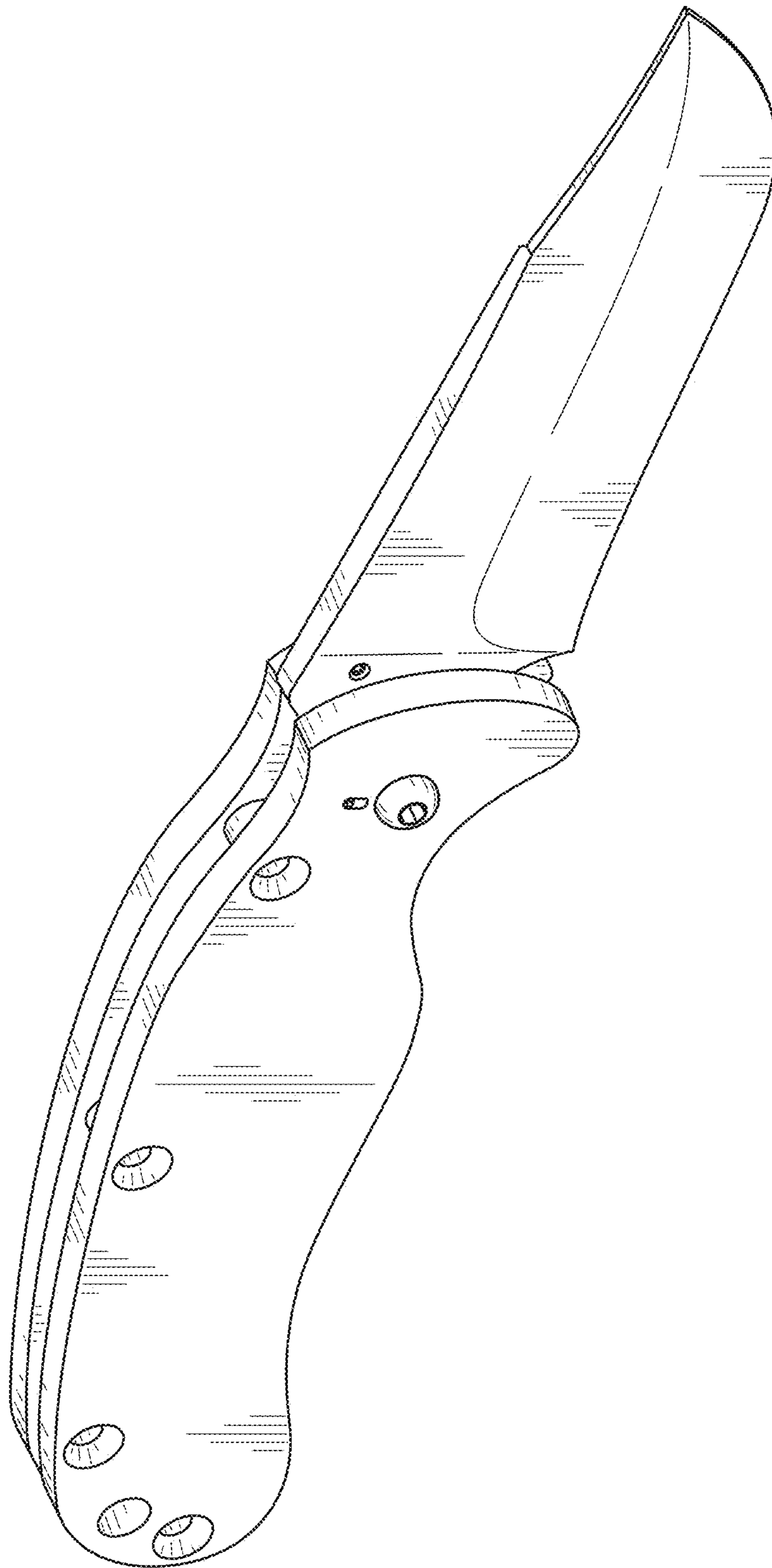


FIG. 8

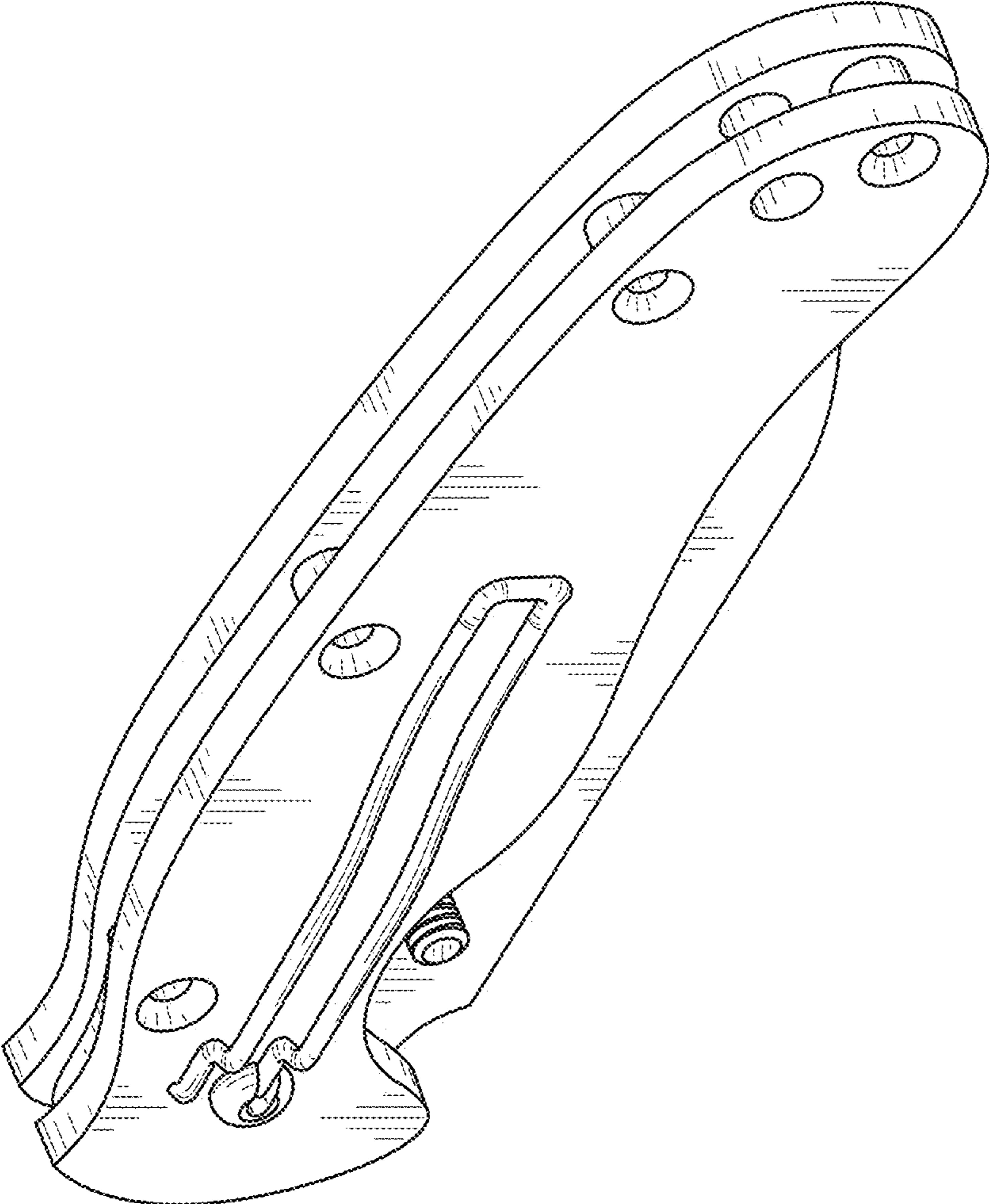


FIG. 9