



US00D937652S

(12) **United States Design Patent**
Jiang

(10) **Patent No.:** **US D937,652 S**

(45) **Date of Patent:** **** Dec. 7, 2021**

(54) **WINDER**

(71) Applicant: **Haiping Jiang**, Fenghua (CN)

(72) Inventor: **Haiping Jiang**, Fenghua (CN)

(**) Term: **15 Years**

(21) Appl. No.: **29/772,962**

(22) Filed: **Mar. 5, 2021**

(30) **Foreign Application Priority Data**

Dec. 23, 2020 (CN) 202030794621.8

(51) **LOC (13) Cl.** **08-05**

(52) **U.S. Cl.**
USPC **D8/71**

(58) **Field of Classification Search**
USPC D8/14, 29, 70, 71, 82-87, 105
CPC B25B 23/00; B25B 23/10; B25B 23/02;
B25B 21/00

See application file for complete search history.

(56) **References Cited**

U.S. PATENT DOCUMENTS

- 1,333,437 A * 3/1920 Monroe B25B 23/005
81/451
- 1,539,782 A * 5/1925 Stansell B25B 23/10
81/57.42
- 2,698,637 A * 1/1955 Donovan B25B 23/08
81/451
- 2,726,091 A * 12/1955 Topar B25B 23/0035
279/93
- D335,523 S * 5/1993 Henslee D22/134
- 5,213,181 A * 5/1993 Isaka G04B 1/10
185/39
- 5,437,324 A * 8/1995 Sternquist E06B 9/44
160/299
- D525,101 S * 7/2006 Singh D8/86
- D531,011 S * 10/2006 Dawson D8/359

- D628,051 S * 11/2010 Di Stefano D8/358
- 8,495,807 B2 * 7/2013 Szewc B25B 27/143
29/240.5
- D764,251 S * 8/2016 Hsu D8/86
- D784,103 S * 4/2017 Hsu D8/71
- D841,441 S 2/2019 Li
- D896,619 S 9/2020 Chen
- 2003/0098169 A1 * 5/2003 Phillips B25F 5/029
173/93.5
- 2005/0199108 A1 * 9/2005 Jheng B25G 1/005
81/177.5
- 2007/0228672 A1 * 10/2007 Huang B23B 31/1253
279/58
- 2011/0000344 A1 * 1/2011 Summers G01B 3/28
81/429
- 2014/0074226 A1 * 3/2014 Bielefeld B25B 15/02
623/2.11
- 2017/0028538 A1 * 2/2017 Lourenco B25B 23/005

* cited by examiner

Primary Examiner — Keli L Hill

Assistant Examiner — Harold E Blackwell, II

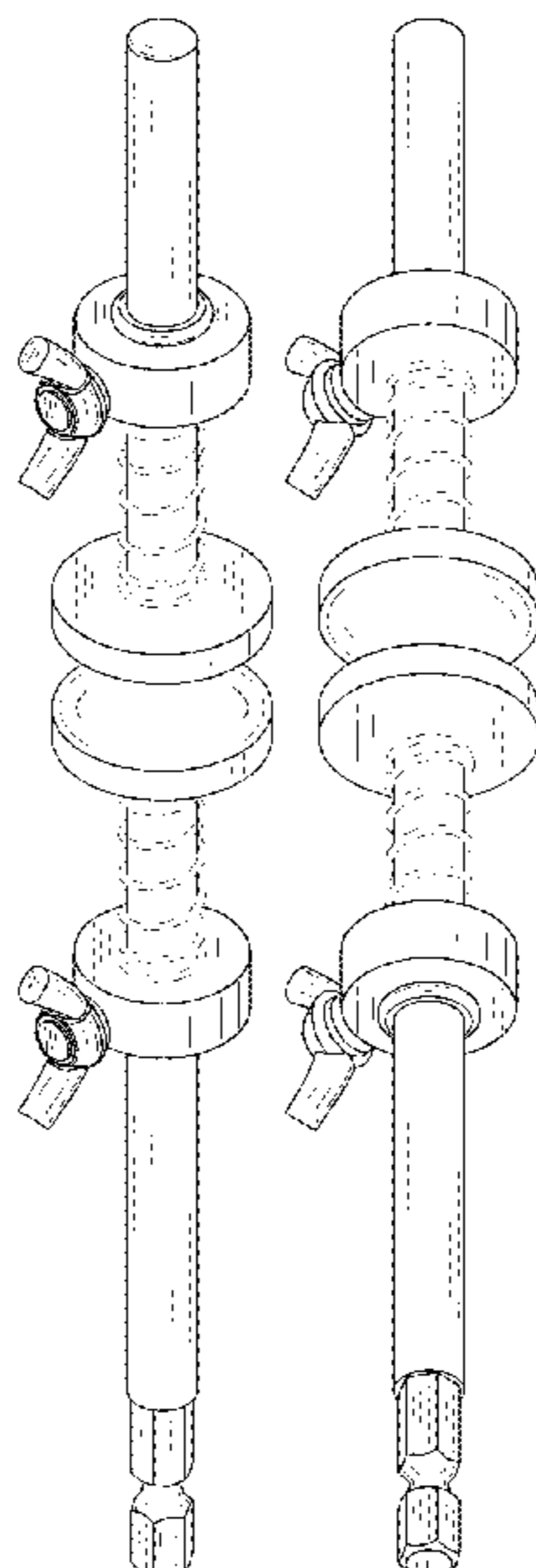
(57) **CLAIM**

The ornamental design for a winder, as shown and described.

DESCRIPTION

FIG. 1 is a first perspective view of a winder showing my new design;
 FIG. 2 is a second perspective view thereof;
 FIG. 3 is a front view thereof;
 FIG. 4 is a back view thereof;
 FIG. 5 is a left side view thereof;
 FIG. 6 is a right side view thereof;
 FIG. 7 is a top view thereof; and,
 FIG. 8 is a bottom view thereof.
 The broken lines shown in the drawings depict portions of the winder in which the design is embodied that form no part of the claimed design.

1 Claim, 8 Drawing Sheets



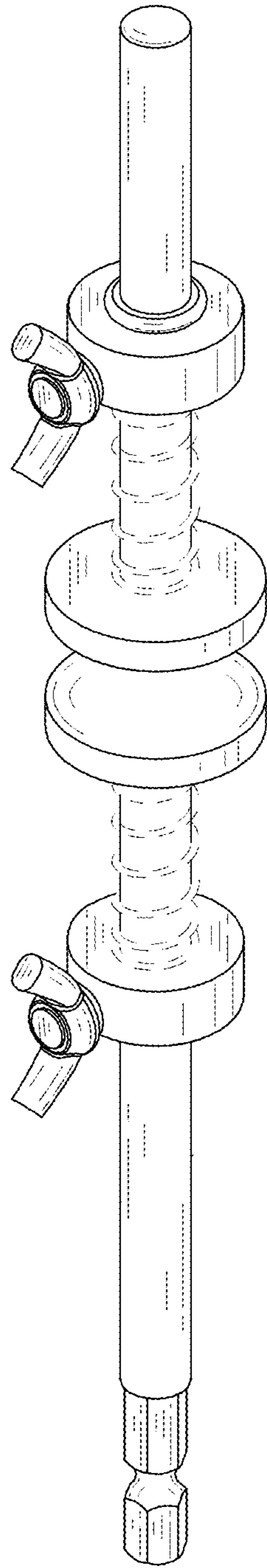


FIG. 1

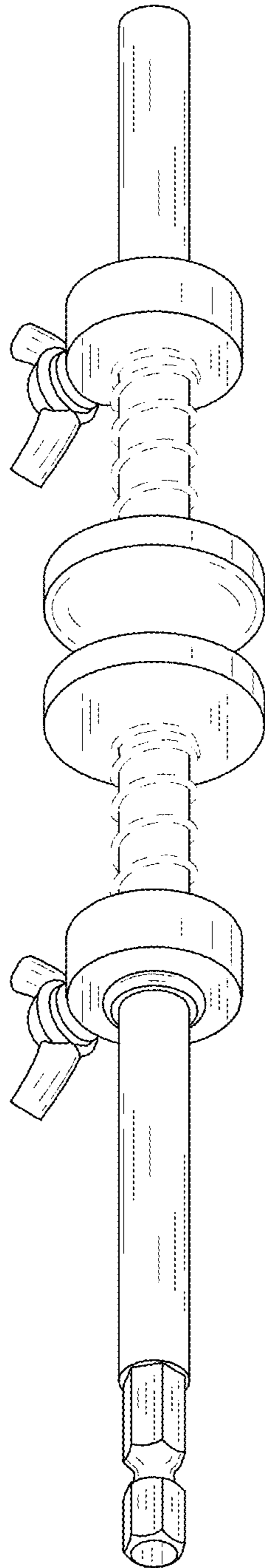


FIG. 2

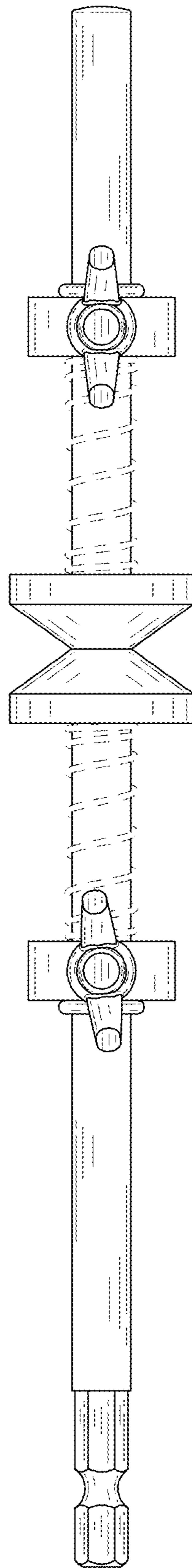


FIG. 3

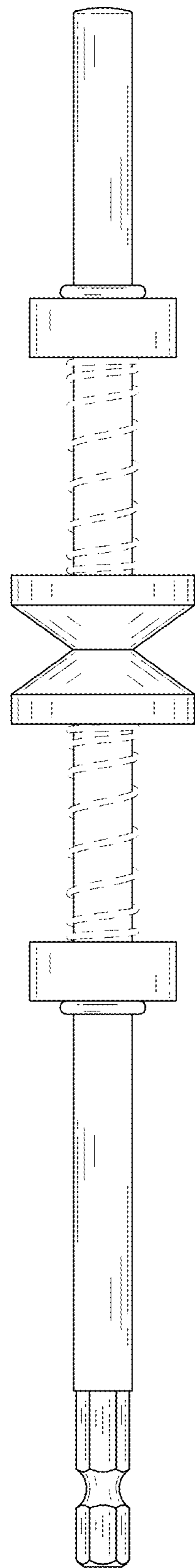


FIG. 4

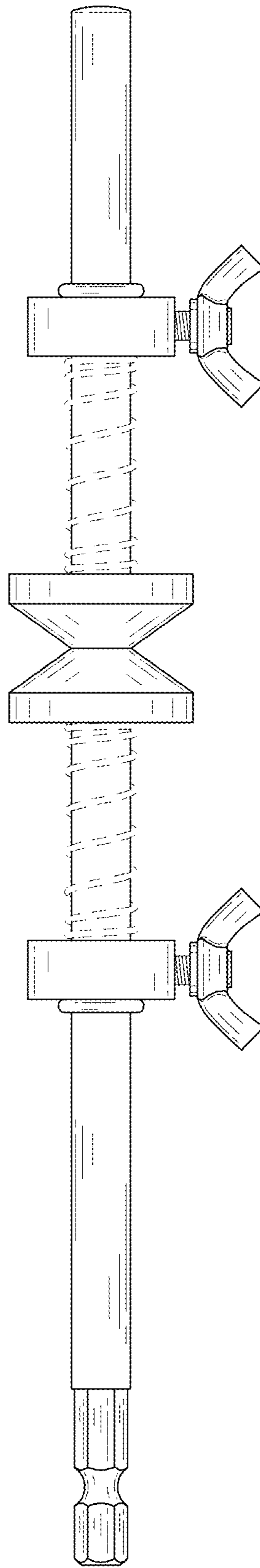


FIG. 5

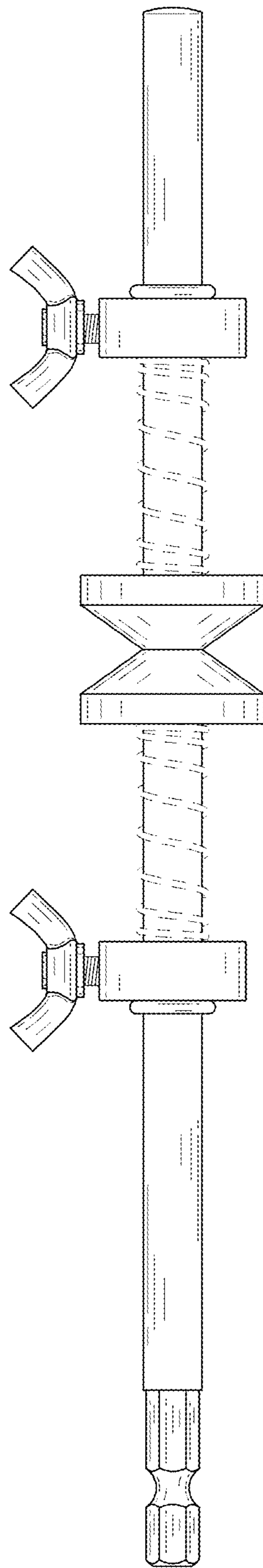


FIG. 6

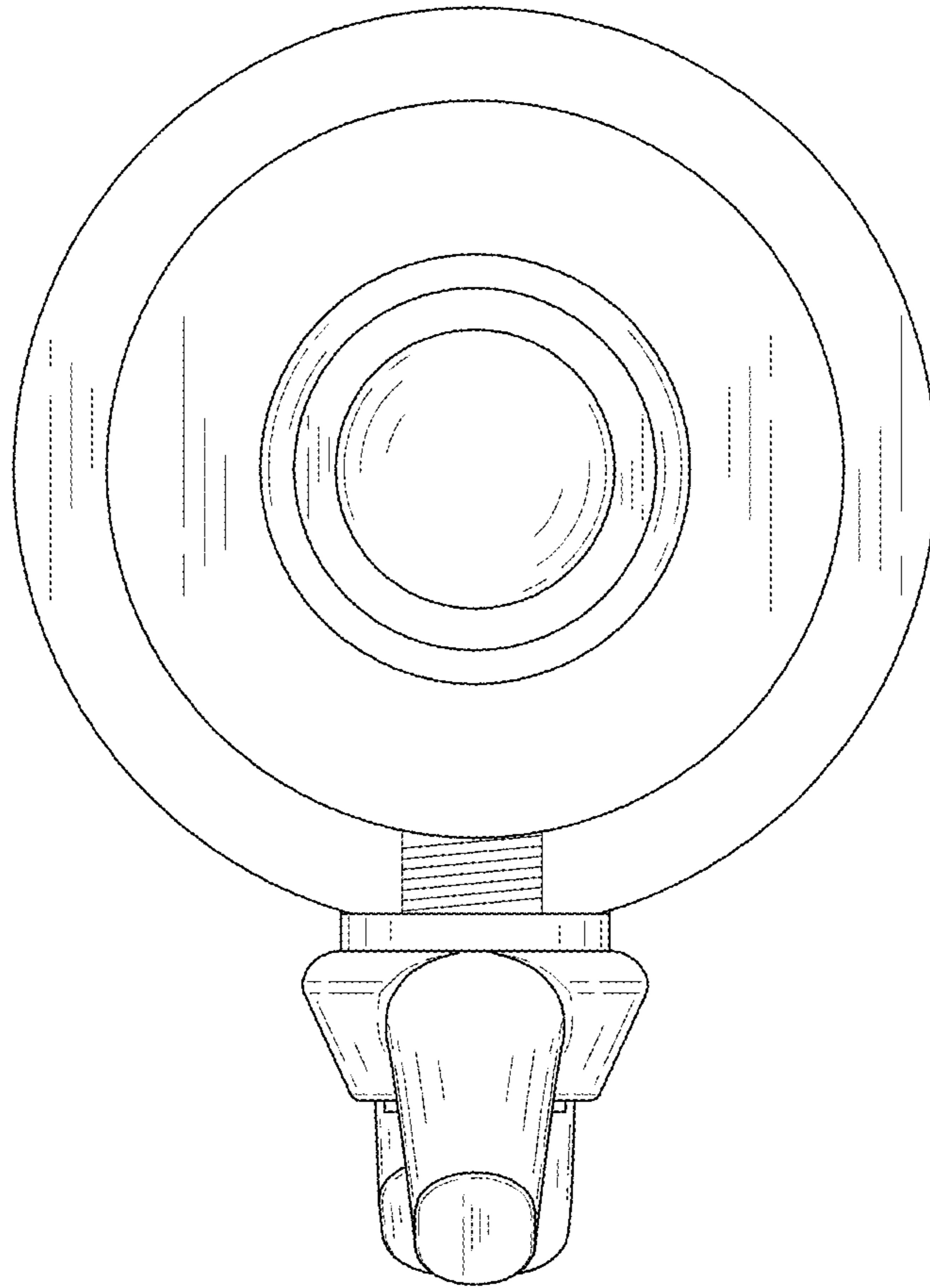


FIG. 7

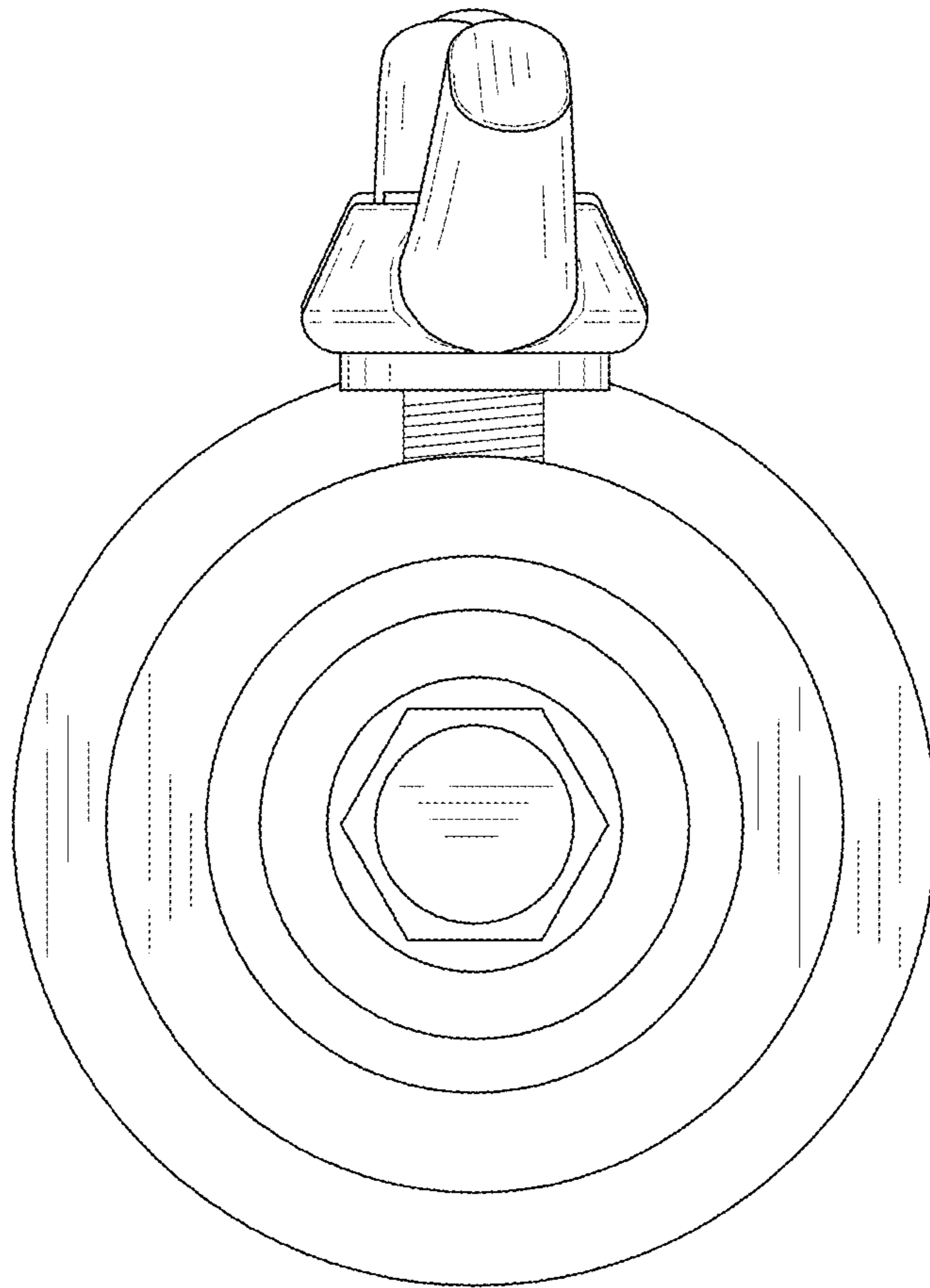


FIG. 8