



US00D937651S

(12) **United States Design Patent**
Li et al.

(10) **Patent No.:** **US D937,651 S**
(45) **Date of Patent:** **** Dec. 7, 2021**

(54) **STORAGE RACK FOR SCREWDRIVER BIT SET**

(71) Applicant: **BEIJING XIAOMI MOBILE SOFTWARE CO., LTD.**, Beijing (CN)

(72) Inventors: **Ningning Li**, Beijing (CN); **Lidan Liu**, Beijing (CN); **Jianyu Tang**, Beijing (CN)

(73) Assignee: **BEIJING XIAOMI MOBILE SOFTWARE CO., LTD.**, Beijing (CN)

(**) Term: **15 Years**

(21) Appl. No.: **35/510,111**

(22) Filed: **May 25, 2020**

(80) **Hague Agreement Data**

Int. Filing Date: **May 25, 2020**

Int. Reg. No.: **DM/209806**

Int. Reg. Date: **May 25, 2020**

Int. Reg. Pub. Date: **Aug. 21, 2020**

(30) **Foreign Application Priority Data**

Dec. 6, 2019 (CN) 201930682314.8

(51) **LOC (13) Cl.** **08-05**

(52) **U.S. Cl.**
USPC **D8/70**

(58) **Field of Classification Search**
USPC D8/70, 71, 85, 86
CPC B25G 1/085; B25H 3/003
See application file for complete search history.

(56) **References Cited**

U.S. PATENT DOCUMENTS

5,613,413 A * 3/1997 Huang B25B 23/0035
81/177.4
6,237,451 B1 * 5/2001 Wei B25G 1/085
81/177.4

7,039,975 B1 * 5/2006 Liao B25B 15/04
7/165
7,051,629 B2 * 5/2006 Huang B25G 1/043
81/489
7,073,417 B2 * 7/2006 Beauchamp B25F 5/029
81/177.4
7,156,005 B2 * 1/2007 Cluthe B25B 23/0035
81/439
7,258,046 B2 * 8/2007 Fruhm B25F 5/029
81/177.4
7,281,455 B2 * 10/2007 Hu B25G 1/085
81/177.4
7,665,391 B2 * 2/2010 Beauchamp B25G 1/085
81/177.4
7,779,732 B2 * 8/2010 Abel B25G 1/085
81/177.4
D657,225 S * 4/2012 Chen D8/83
9,221,167 B2 * 12/2015 Sun B25G 1/085
D756,189 S * 5/2016 Liu D8/85
D784,103 S * 4/2017 Hsu D8/71

(Continued)

Primary Examiner — Deanna L Pratt

(74) *Attorney, Agent, or Firm* — Syncoda LLC; Feng Ma

(57) **CLAIM**

The ornamental design for a storage rack for screwdriver bit set, as shown and described.

DESCRIPTION

1. Storage rack for screwdriver bit set

1.1 : Front

1.2 : Back

1.3 : Left

1.4 : Right

1.5 : Top

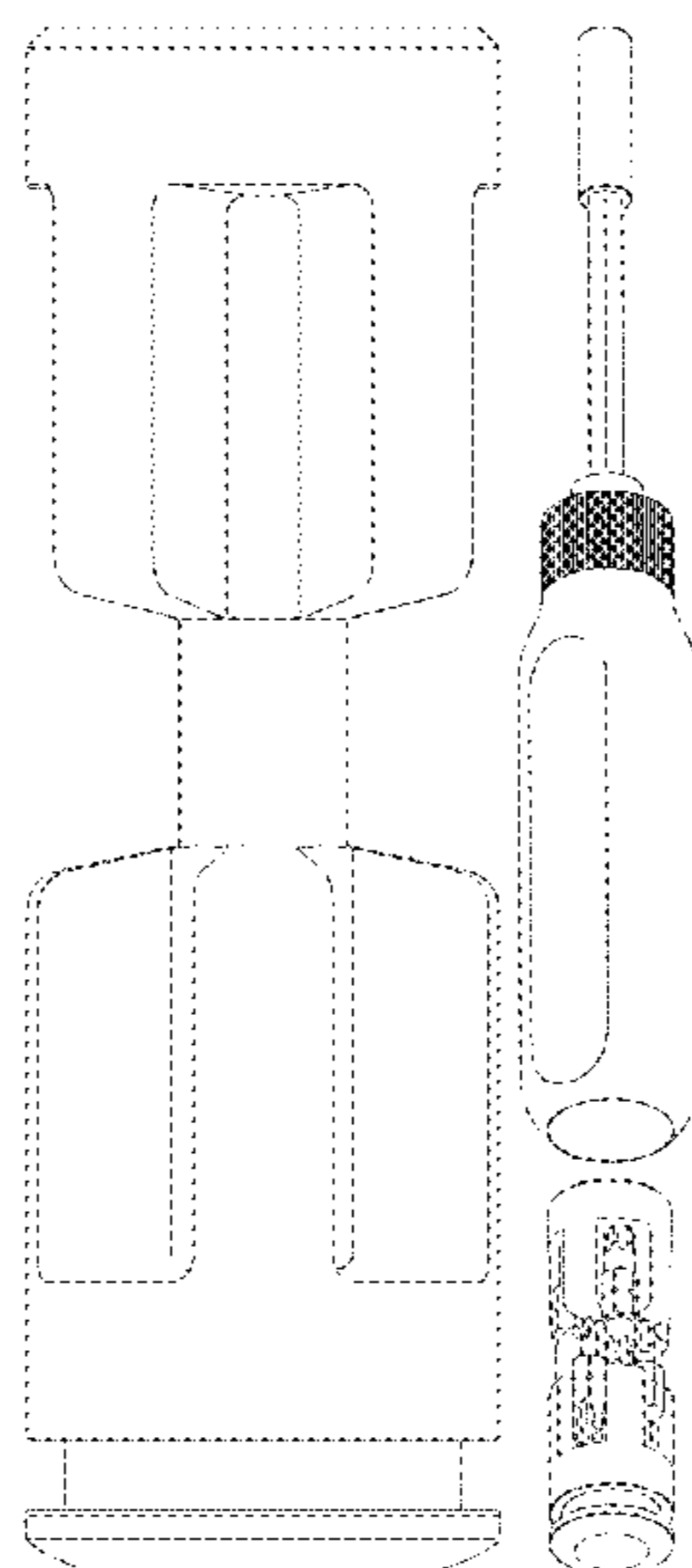
1.6 : Bottom

1.7 : Reference view 1

1.8 : Reference view 2

Reproductions 1.7 and 1.8 are reference views showing the state in use of the claimed design and form no part of the claimed design.

1 Claim, 8 Drawing Sheets



(56)

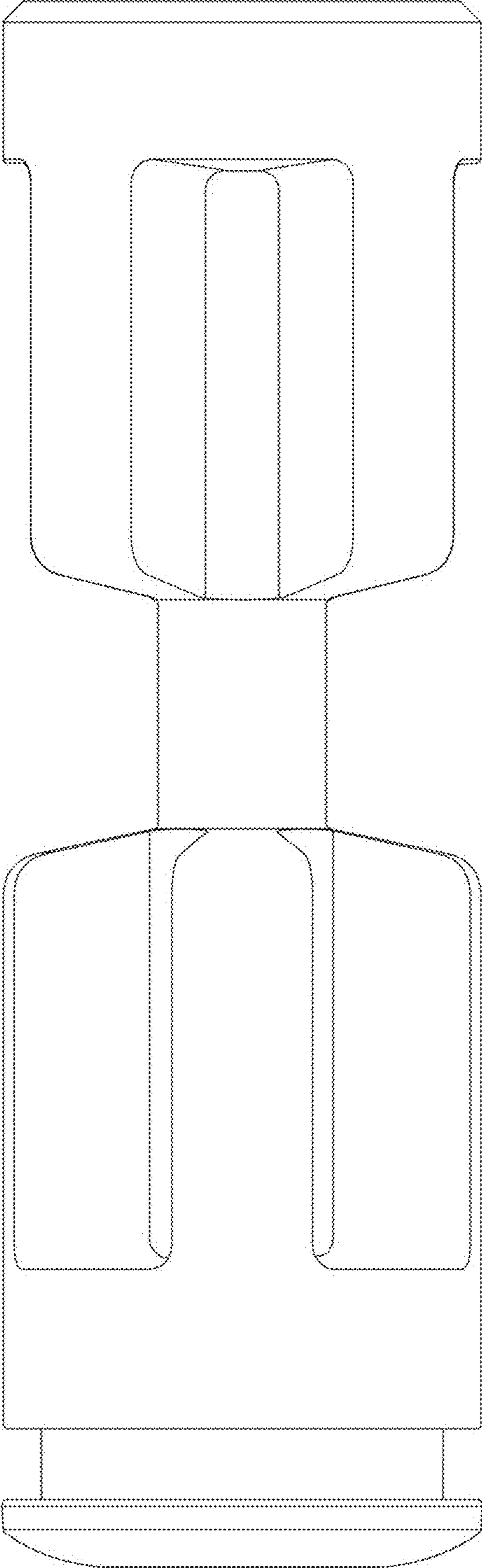
References Cited

U.S. PATENT DOCUMENTS

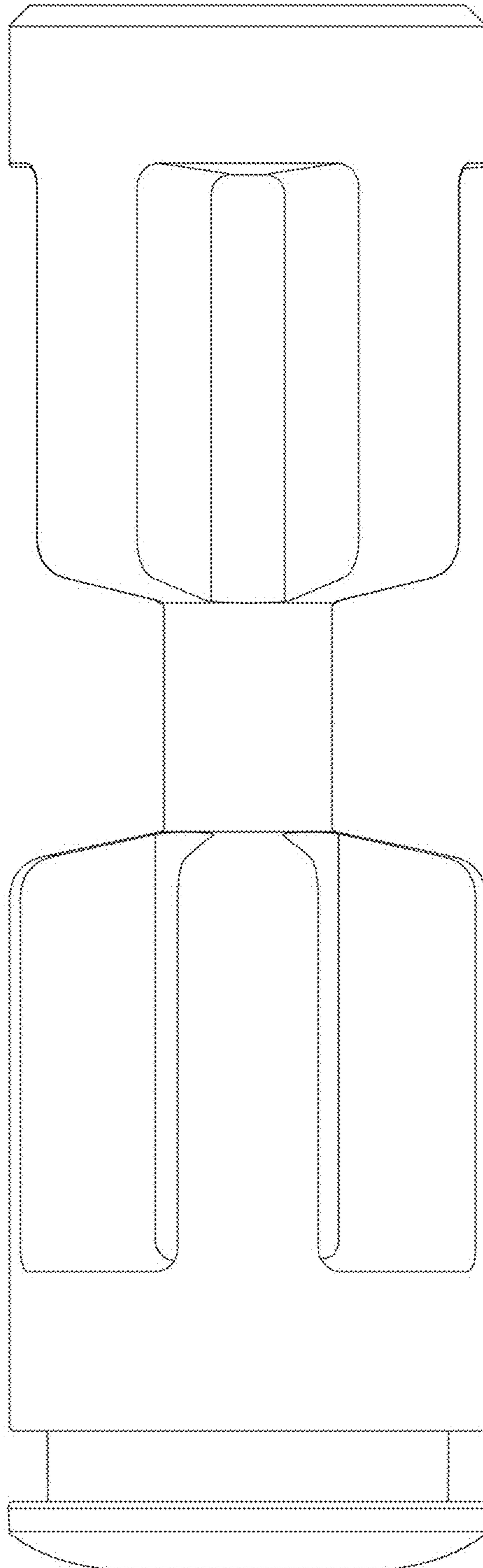
10,442,074	B2 *	10/2019	Fulbright	B25F 3/00
2003/0079580	A1 *	5/2003	Beauchamp	B25F 5/029
				81/490
2004/0025650	A1 *	2/2004	Hu	B25G 1/046
				81/490
2004/0094000	A1 *	5/2004	Liao	B25G 1/085
				81/490
2006/0016302	A1 *	1/2006	Huang	B25G 1/063
				81/489
2007/0251358	A1 *	11/2007	Grand	B25G 1/085
				81/439
2008/0190249	A1 *	8/2008	Yu	B25B 15/02
				81/177.4
2021/0060758	A1 *	3/2021	Hu	B25B 23/0035

* cited by examiner

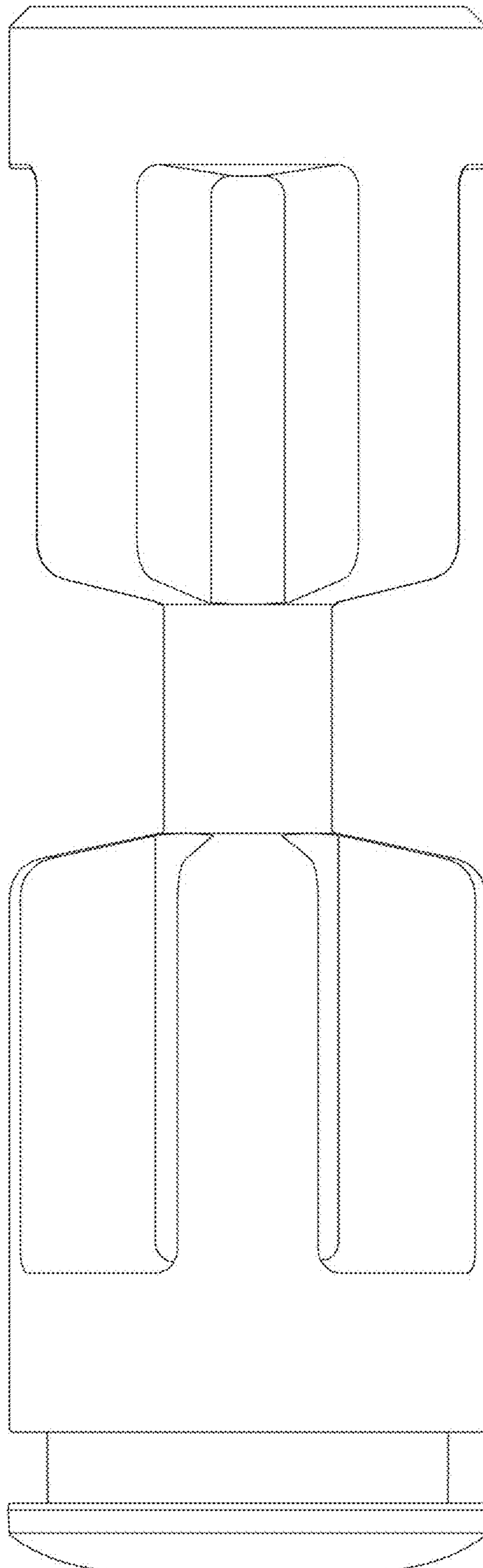
1.1



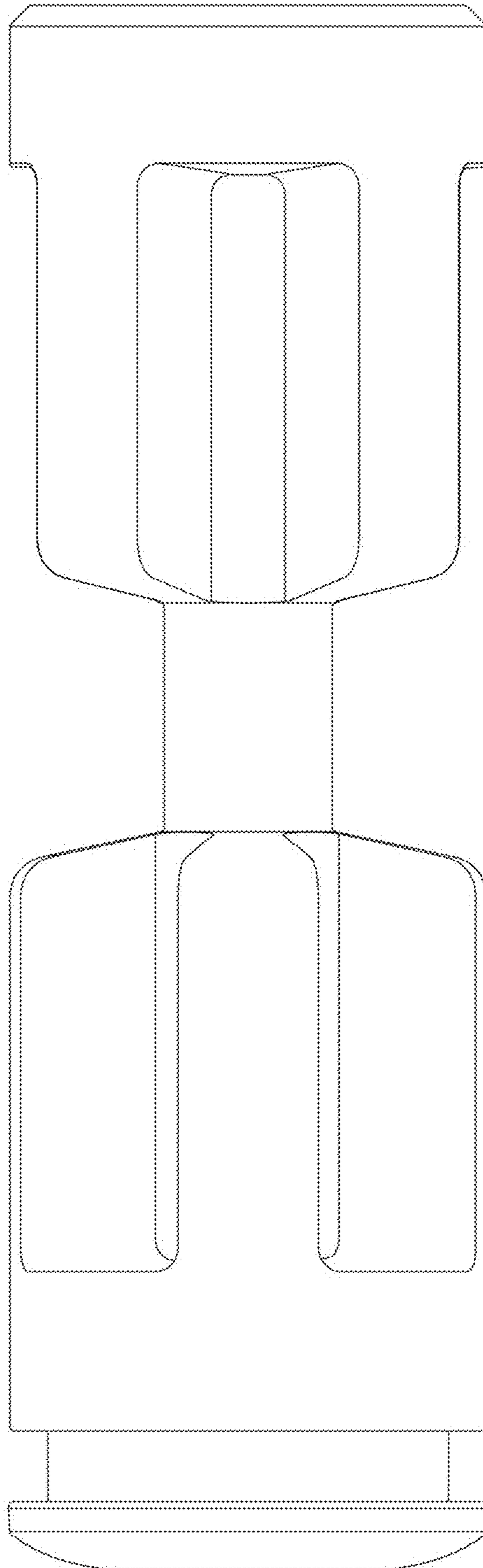
1.2



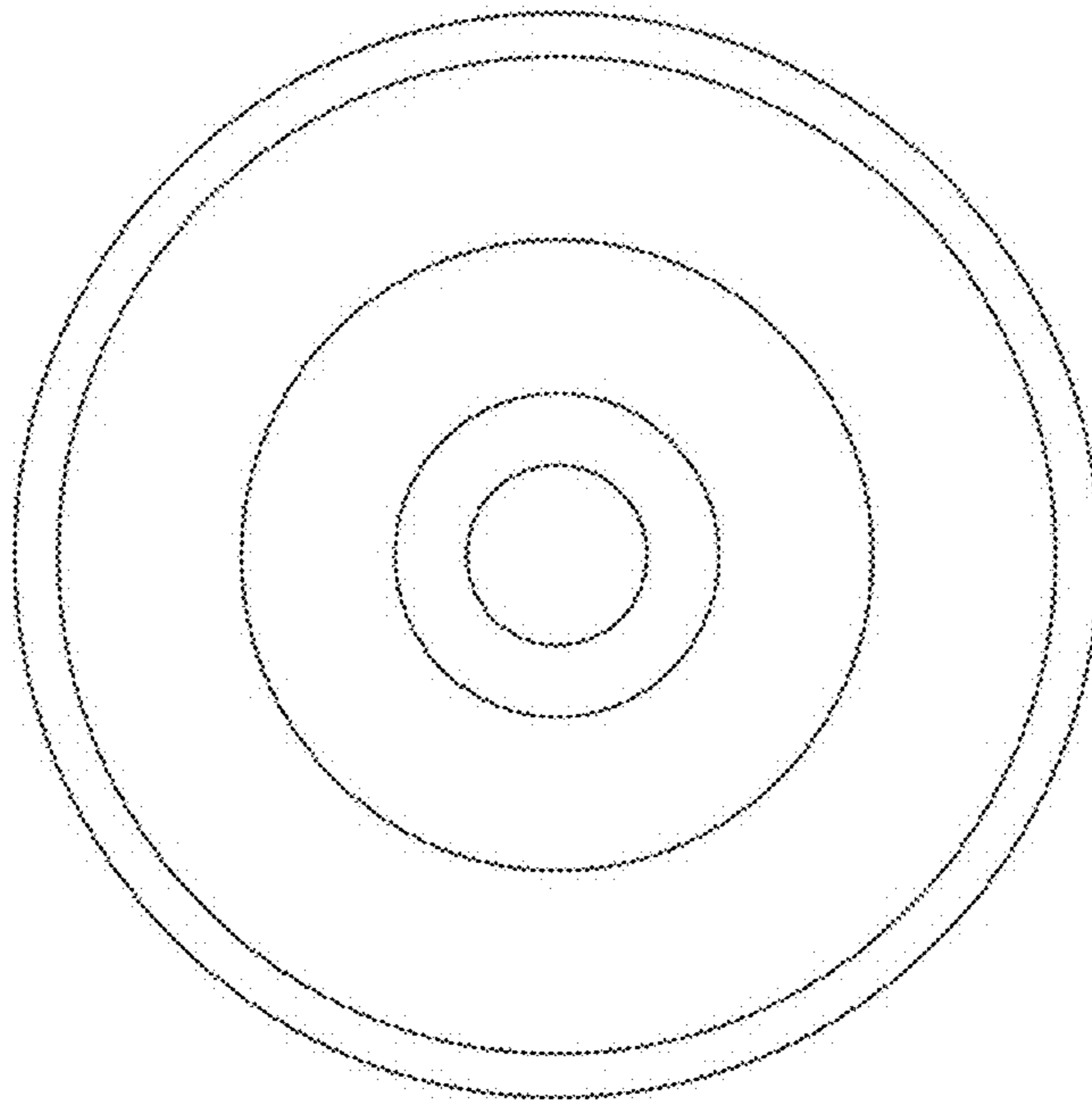
1.3



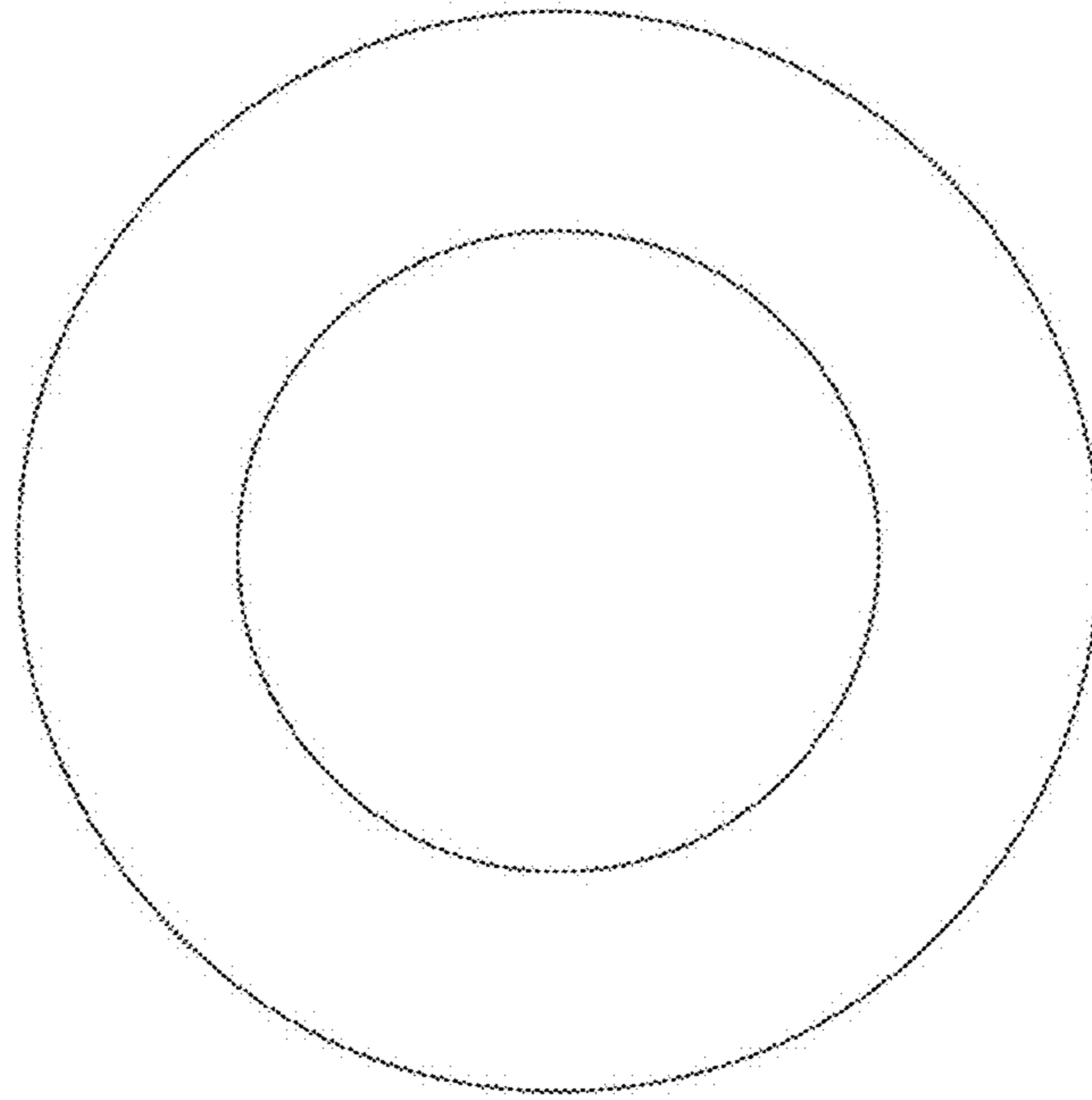
1.4



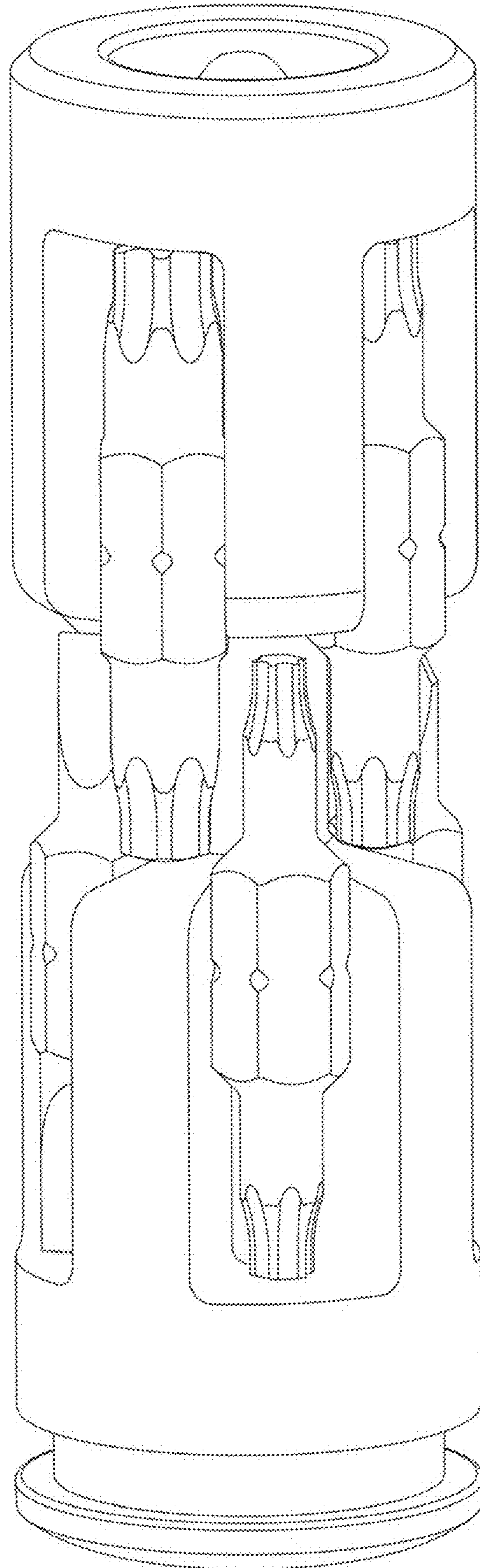
1.5



1.6



1.7



1.8

