



US00D937649S

(12) **United States Design Patent**
Kachar

(10) **Patent No.:** **US D937,649 S**

(45) **Date of Patent:** **** Dec. 7, 2021**

(54) **POWER TOOL**

(71) Applicant: **MILWAUKEE ELECTRIC TOOL CORPORATION**, Brookfield, WI (US)

(72) Inventor: **Amanda M. Kachar**, West Allis, WI (US)

(73) Assignee: **MILWAUKEE ELECTRIC TOOL CORPORATION**, Brookfield, WI (US)

(**) Term: **15 Years**

(21) Appl. No.: **29/768,832**

(22) Filed: **Feb. 1, 2021**

Related U.S. Application Data

(62) Division of application No. 29/670,715, filed on Nov. 19, 2018, now Pat. No. Des. 913,064, which is a division of application No. 29/596,128, filed on Mar. 6, 2017, now Pat. No. Des. 835,961.

(51) **LOC (13) Cl.** **08-05**

(52) **U.S. Cl.**
USPC **D8/68**

(58) **Field of Classification Search**
USPC D8/61, 67, 68
CPC B62D 23/005; B62D 29/00; B62D 29/043;
B62D 31/00; B62D 33/046; B62D 35/00;
B62D 35/001; B60Q 1/0005
See application file for complete search history.

(56) **References Cited**

U.S. PATENT DOCUMENTS

D259,234 S * 5/1981 Pfeil 392/385
D274,551 S * 7/1984 Benjamin D28/13
4,629,864 A * 12/1986 Wilson F24H 3/0423
34/99
4,683,370 A * 7/1987 Petersen F24H 3/0423
34/667
D293,020 S 12/1987 Steinel et al.
D297,397 S * 8/1988 Pagani D8/29.1

D297,398 S * 8/1988 Pagani D8/29.1
D334,876 S * 4/1993 Swetish D8/29.1
D388,297 S * 12/1997 Bittenbender D8/29.1
D388,298 S 12/1997 Jerdee et al.

(Continued)

FOREIGN PATENT DOCUMENTS

JP 1330497 5/2008
TW D121209 2/2008
TW D125713 11/2008

OTHER PUBLICATIONS

Benjamin. "Review: Milwaukee M18 Cordless Heat Gun." Tool Guyd., Jun. 14, 2018 [online], [retrieved on Oct. 24, 2020]. Retrieved from the Internet <URL: <https://toolguyd.com/review-milwaukee-m18-cordless-heat-gun/>>.*

(Continued)

Primary Examiner — Darlington Ly
(74) *Attorney, Agent, or Firm* — Michael Best & Friedrich LLP

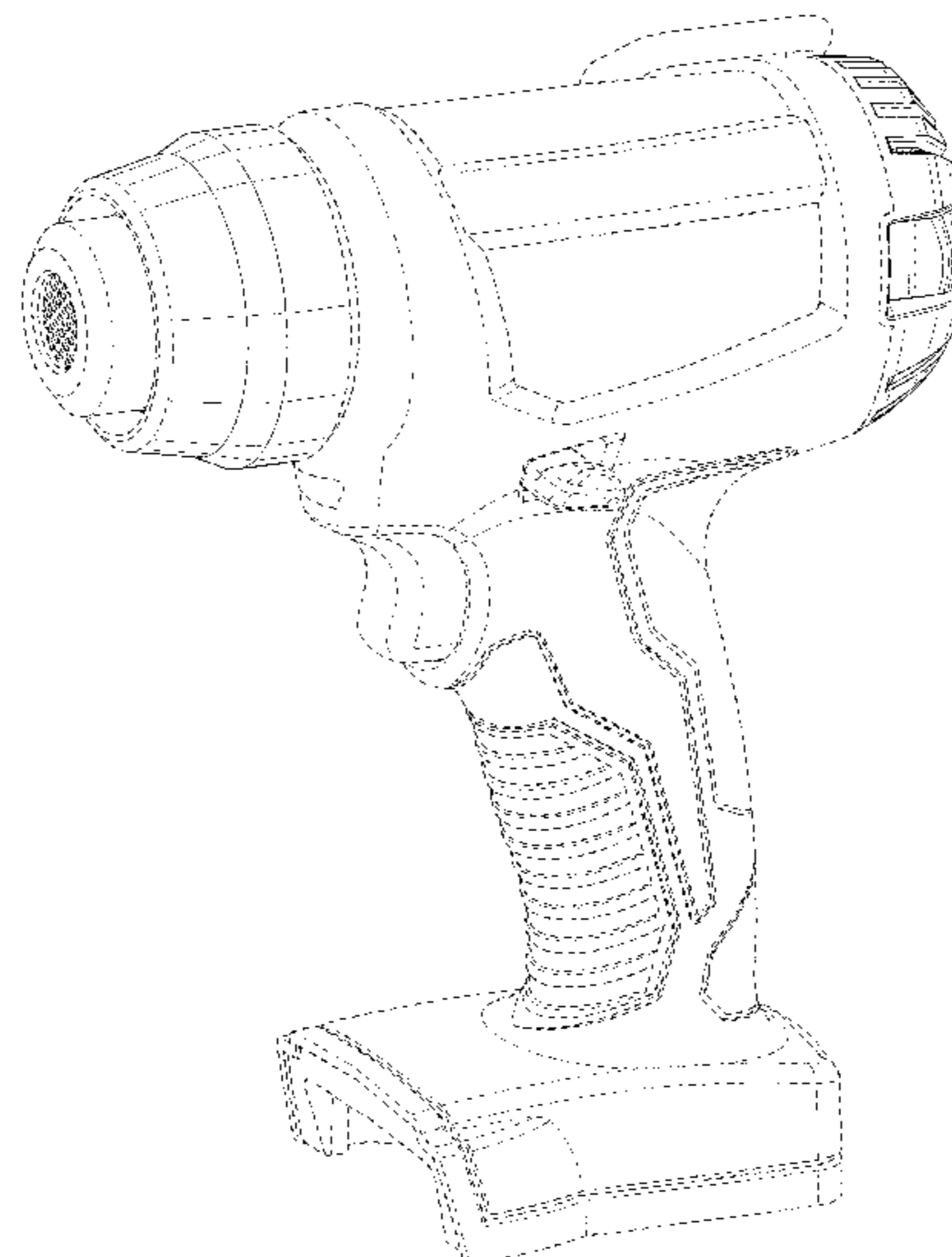
(57) **CLAIM**

I claim the ornamental design for a power tool, as shown and described.

DESCRIPTION

FIG. 1 is a front perspective view of a power tool embodying my new design;
FIG. 2 is rear perspective view thereof;
FIG. 3 is a front elevation view thereof;
FIG. 4 is a rear elevation view thereof;
FIG. 5 is a right side elevation view thereof;
FIG. 6 is a left side elevation view thereof;
FIG. 7 is a top plan view thereof; and,
FIG. 8 is a bottom plan view thereof.
The broken lines shown represent unclaimed portions of the power tool and form no part of the claimed design.

1 Claim, 8 Drawing Sheets



(56)

References Cited

U.S. PATENT DOCUMENTS

D457,407	S	5/2002	Pretzell	
D481,277	S *	10/2003	Waldron	D8/29.1
D484,385	S	12/2003	Sakai et al.	
6,873,791	B2 *	3/2005	Cheng	F24H 9/06 219/242
D516,883	S *	3/2006	Popov	D8/29.1
D572,097	S *	7/2008	Yung-Kuan	D28/13
D615,834	S *	5/2010	Netzler	D8/29.1
D615,835	S *	5/2010	Netzler	D8/29.1
D639,129	S *	6/2011	Van Wambeke	D8/29.1
D641,220	S *	7/2011	Shi	D8/29.1
D664,820	S	8/2012	Furling	
D679,561	S *	4/2013	Price	D8/29.1
8,627,579	B2 *	1/2014	Rotondi	F24H 9/0063 34/104
D703,020	S	4/2014	Zhu et al.	
D727,706	S	4/2015	Chen	
D740,629	S	10/2015	Furling et al.	
D742,708	S *	11/2015	Howell	D8/29.1
D746,653	S	1/2016	Furling et al.	
D803,649	S *	11/2017	van der Rest	D8/68
D829,519	S *	10/2018	Teraoka	D8/29.1
D846,963	S *	4/2019	van der Rest	D8/68
D871,871	S *	1/2020	Yang	D8/29.1
2008/0181590	A1 *	7/2008	Radwill	F24H 9/2071 392/385
2010/0065545	A1 *	3/2010	Chung	F24H 3/0423 219/227

OTHER PUBLICATIONS

Benjamin. "New Dewalt Cordless Heat Gun." Tool Guyd., May 2, 2019 [online], [retrieved on Oct. 24, 2020]. Retrieved from the Internet <URL: <https://toolguyd.com/new-dewalt-20v-cordless-heat-gun/>>.*

Perry Danner. "Milwaukee M18 Heat Gun 2688-21 Review." Pro Tools Review., Jul. 2, 2019 [online], [retrieved on Oct. 24, 2020].

Retrieved from the Internet <URL: <https://www.protoolreviews.com/tools/power/cordless/milwaukee-m18-heat-gun-2688-21-review/46564/>>.*

Steinel Professionals, "BHG 360 Li-Ion;" <<http://www.steinelfprofessional.de/en/Hot-air-Gluing/Hot-air-tools/BH-G-360-Li-Ion.html>> website accessed Feb. 28, 2017.

Makita, "HG551V Heat Gun," <<https://www.makitatools.com/products/details/HG551V>> website accessed Feb. 28, 2017.

Milwaukee Electric Tool, "Dual Temperature Heat Gun," <<https://www.milwaukeetool.com/power-tools/cordless/8975-6>> website accessed Feb. 28, 2017.

DeWalt, "D26950 Heat Gun," <<http://www.dewalt.com/products/power-tools/specialty-and-other-tools/-heat-gun/d26950>> website accessed Feb. 28, 2017.

Wagner, "HT1000 Heat Gun," <<https://www.wagnerspraytech.com/products/surface-prep/heat-guns/ht100-0-heat-gun/>> website accessed Feb. 28, 2017.

Porter Cable, "1500 Watt Heat Gun," <<http://www.portercable.com/Products/ProductDetail.aspx?ProductID=2426-5>> website accessed Feb. 28, 2017.

Master, "Ecoheat Heat Gun & Kit," <<https://www.masterappliance.com/heat-tool-products/heat-guns/econoiron-heat-gun>> website accessed Feb. 28, 2017.

Master, "Proheat 1100 Dualtemp Heat Gun & Kit," <<https://www.masterappliance.com/heat-tool-products/heat-guns/proheat-heat-guns/proheat-heat-gun>> website accessed Feb. 28, 2017.

Grainger, "Westward Electric Heat Gun," <<https://www.grainger.com/product/WESTWARD-Heat-Gun-4HWK1>> website accessed Feb. 28, 2017.

Benjamin Johnson, "Review: Milwaukee M18 Cordless Heat Gun," <<https://toolguyd.com/review-milwaukee-m18-cordless-heat-gun/>> article dated Jun. 14, 2018.

Ben Vincent, "New Dewalt Cordless Heat Gun," <<https://toolguyd.com/new-dewalt-20v-cordless-heat-gun/>> article dated May 2, 2019.

Perry Danner, "Milwaukee M18 Heat Gun 2688-21 Review," <<https://www.protoolreviews.com/tools/cordless/milwaukee-m18-heat-gun-2688-21-review/46564/>> article dated Jul. 2, 2019.

* cited by examiner

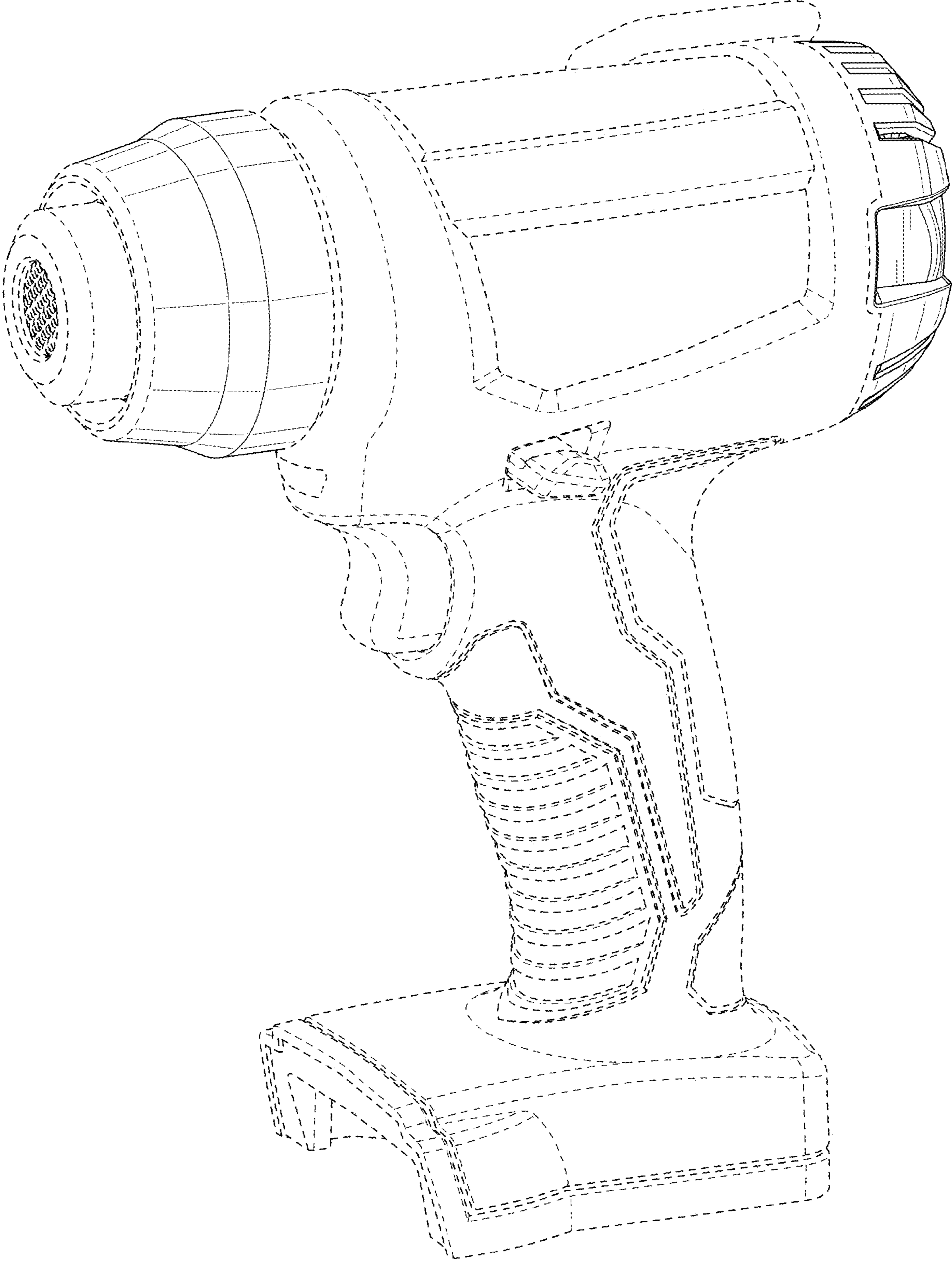


FIG. 1

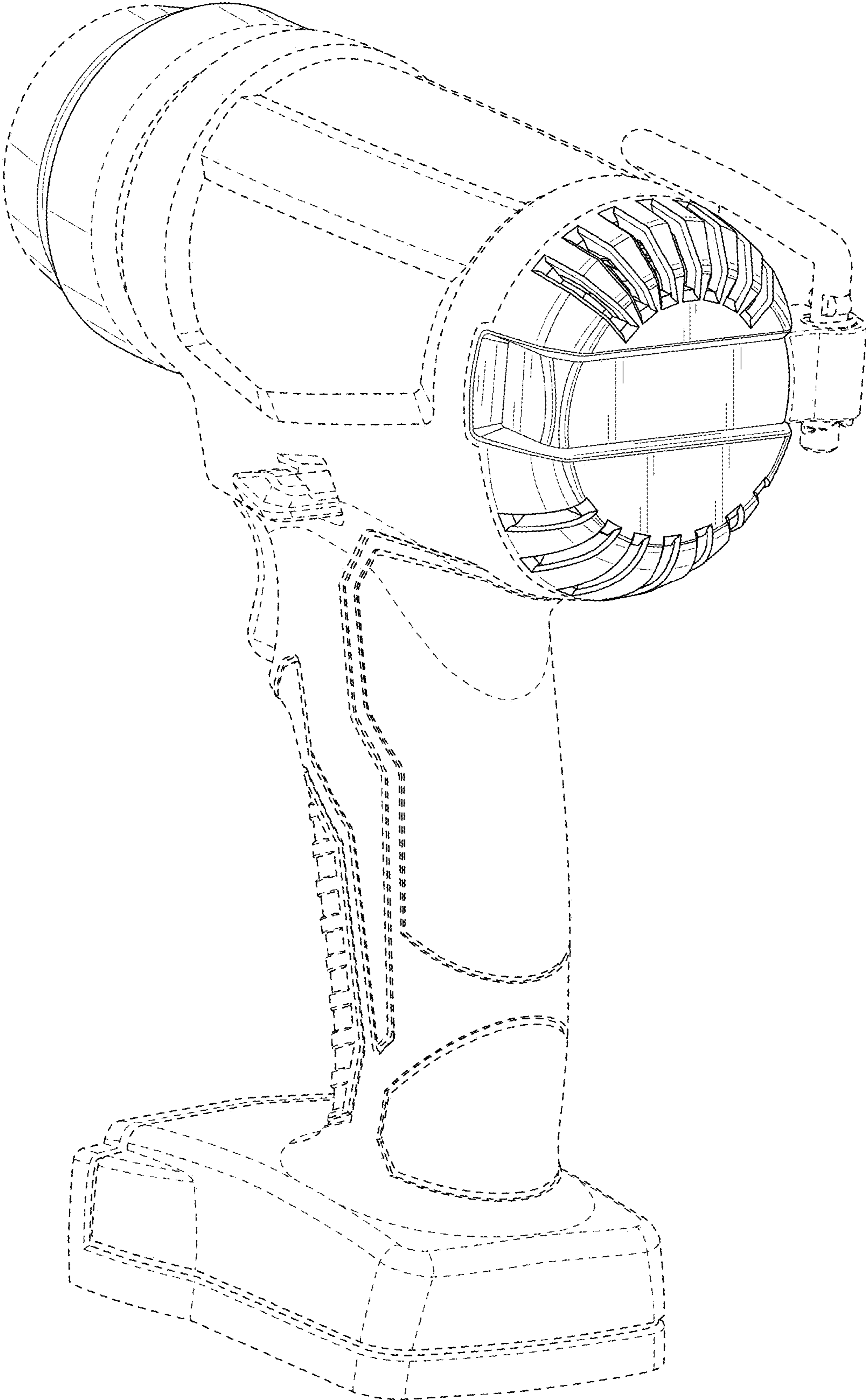


FIG. 2

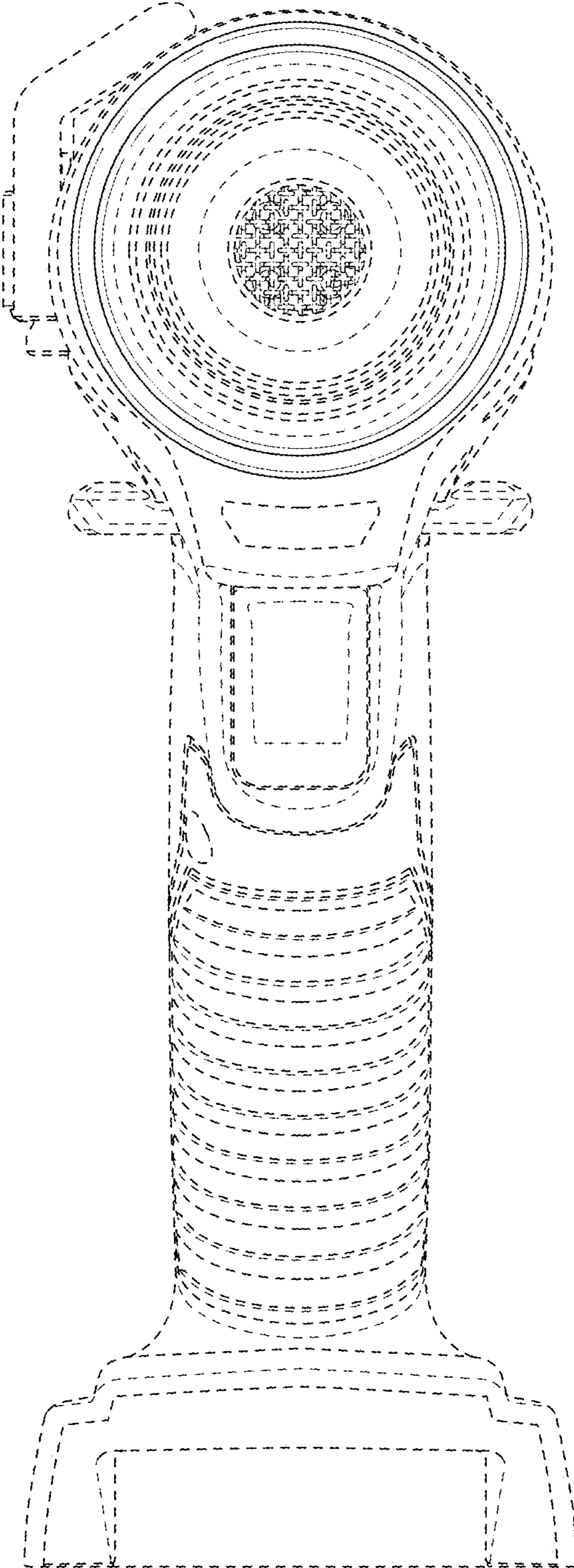


FIG. 3

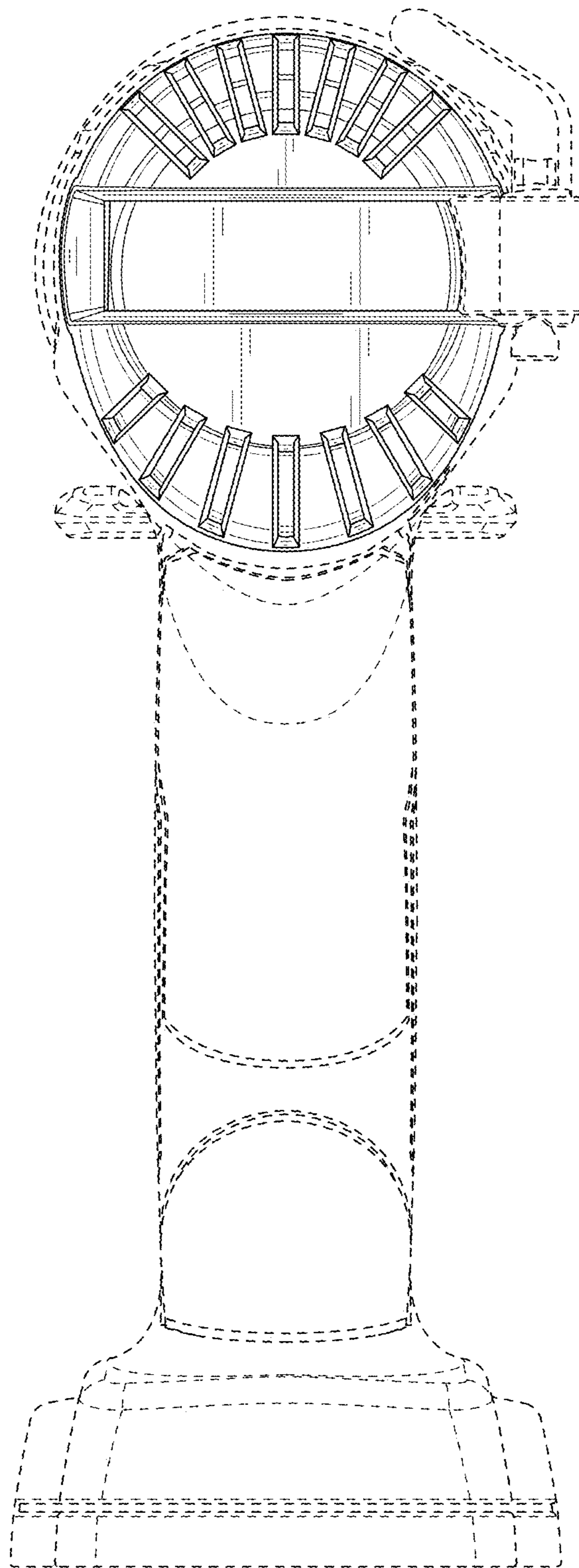


FIG. 4

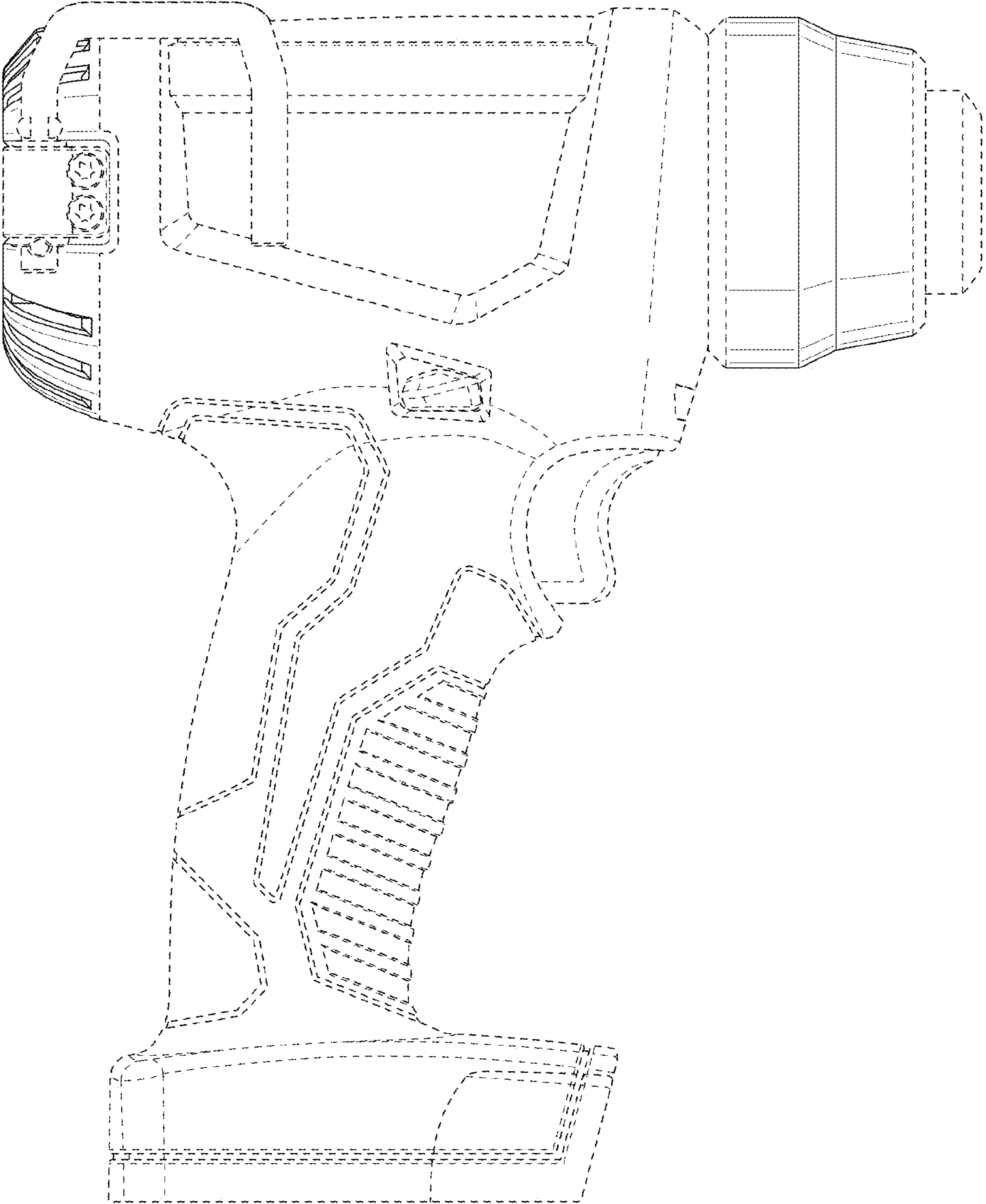


FIG. 5

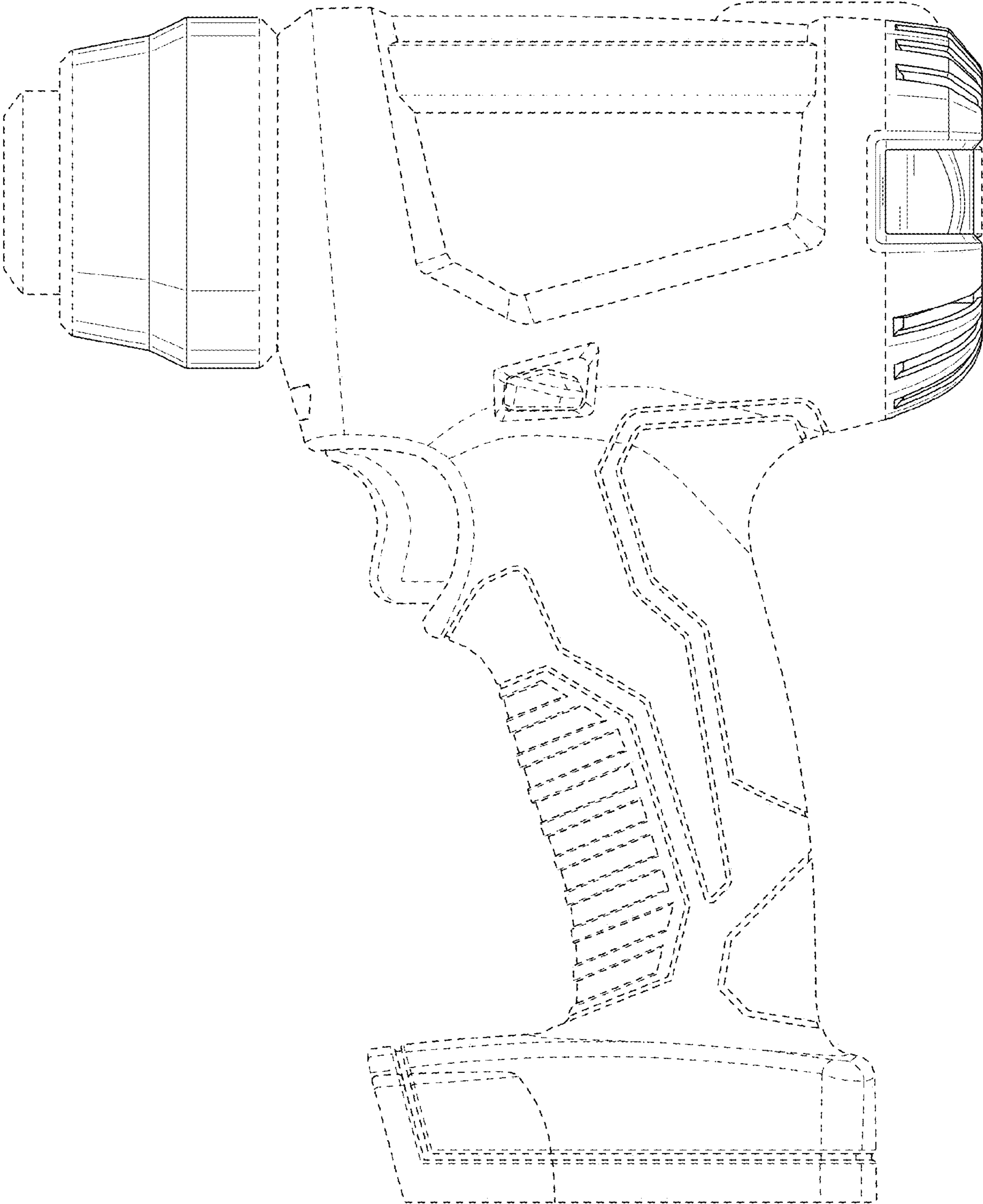


FIG. 6

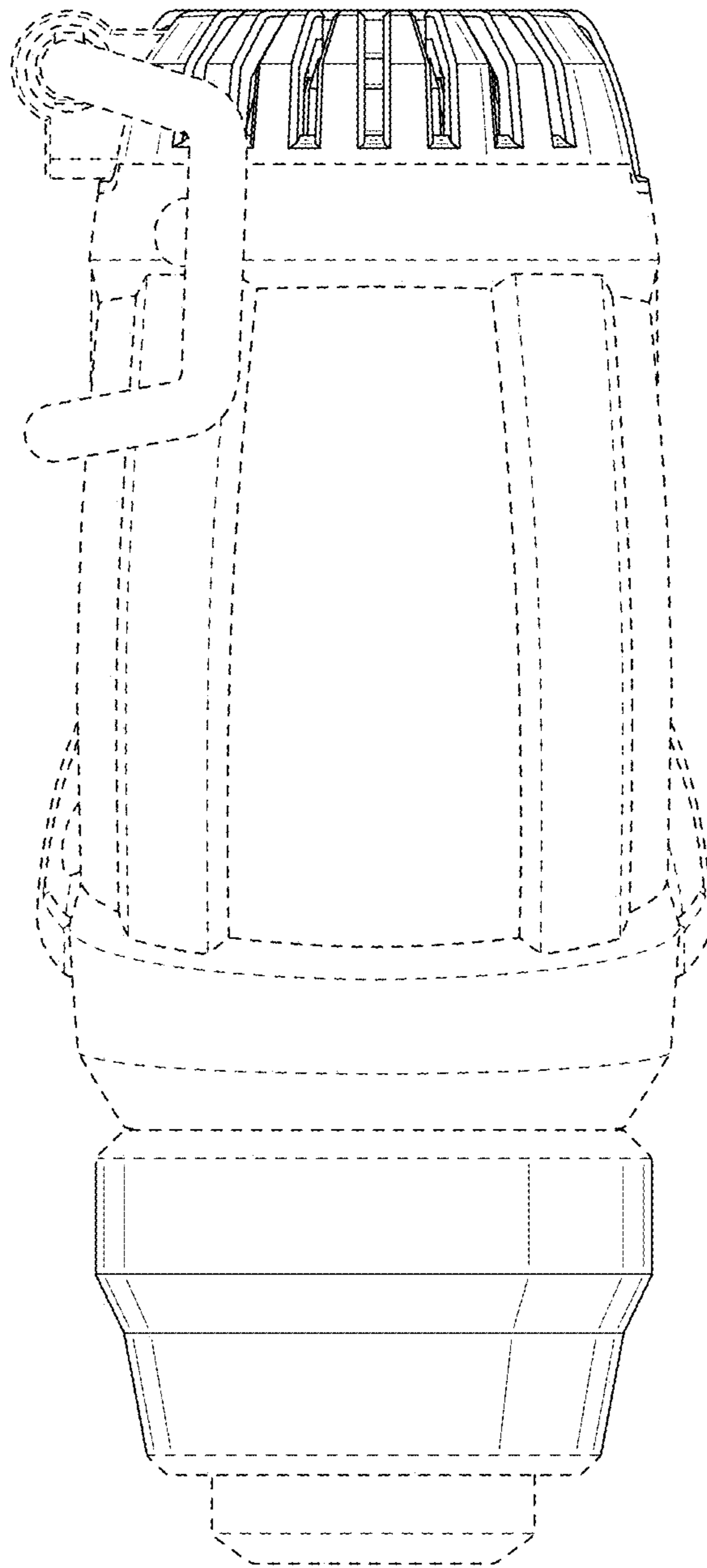


FIG. 7

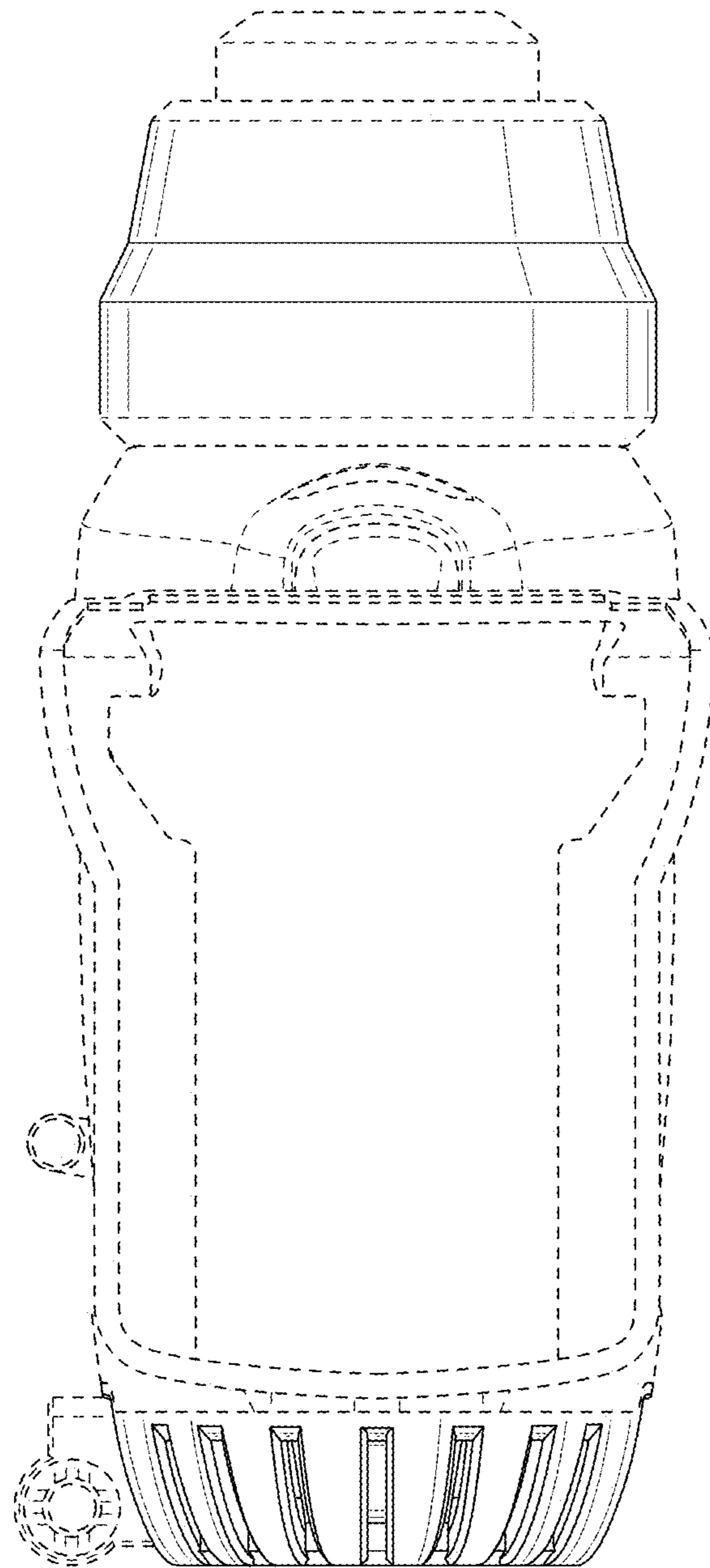


FIG. 8