



US00D937648S

(12) **United States Design Patent** (10) **Patent No.:** **US D937,648 S**  
**Daniels** (45) **Date of Patent:** **\*\* Dec. 7, 2021**

(54) **ROTATING TOOL ATTACHMENT**

(71) Applicant: **Michael John Daniels**, Sheboygan, WI (US)

(72) Inventor: **Michael John Daniels**, Sheboygan, WI (US)

(\*\*) Term: **15 Years**

(21) Appl. No.: **29/704,269**

(22) Filed: **Sep. 3, 2019**

(51) **LOC (13) Cl.** ..... **08-05**

(52) **U.S. Cl.**  
USPC ..... **D8/68**

(58) **Field of Classification Search**  
USPC ..... D8/14, 70, 90, 98; D24/147; D32/35,  
D32/40, 46, 49

(Continued)

(56) **References Cited**

**U.S. PATENT DOCUMENTS**

2,809,864 A \* 10/1957 Carr ..... A01G 3/06  
239/201  
4,209,903 A \* 7/1980 Owens ..... A01G 3/06  
294/50.7

(Continued)

*Primary Examiner* — Darlington Ly

(74) *Attorney, Agent, or Firm* — Mandy L. Tran; CERES Patent & Technology, LLC

(57) **CLAIM**

I claim the ornamental design for a rotating tool attachment, as shown and described.

**DESCRIPTION**

FIG. 1 is a top, front, and right side perspective view of a rotating tool attachment showing my new design in accordance to a first embodiment;

FIG. 2 is a top, rear, and right side perspective view thereof;

FIG. 3 is a bottom, rear, and right side perspective view thereof;

FIG. 4 is a front elevation view thereof, to which the rear elevation view is a mirror image;

FIG. 5 is a right side elevation view thereof, to which the left side elevation view is a mirror image;

FIG. 6 is a bottom plan view thereof; and

FIG. 7 is a top plan view thereof.

FIG. 8 is a top, front, and right side perspective view of a rotating tool attachment showing my new design in accordance to a second embodiment;

FIG. 9 is a top, rear, and right side perspective view thereof;

FIG. 10 is a bottom, rear, and right side perspective view thereof;

FIG. 11 is a front elevation view thereof, to which the rear elevation view is a mirror image;

FIG. 12 is a right side elevation view thereof, to which the left side elevation view is a mirror image;

FIG. 13 is a bottom plan view thereof;

FIG. 14 is a top plan view thereof.

FIG. 15 is a top, front, and right side perspective view of a rotating tool attachment showing my new design in accordance to a third embodiment;

FIG. 16 is a top, rear, and right side perspective view thereof;

FIG. 17 is a bottom, rear, and right side perspective view thereof;

FIG. 18 is a front elevation view thereof, to which the rear elevation view is a mirror image;

FIG. 19 is a right side elevation view thereof, to which the left side elevation view is a mirror image;

FIG. 20 is a bottom plan view thereof; and,

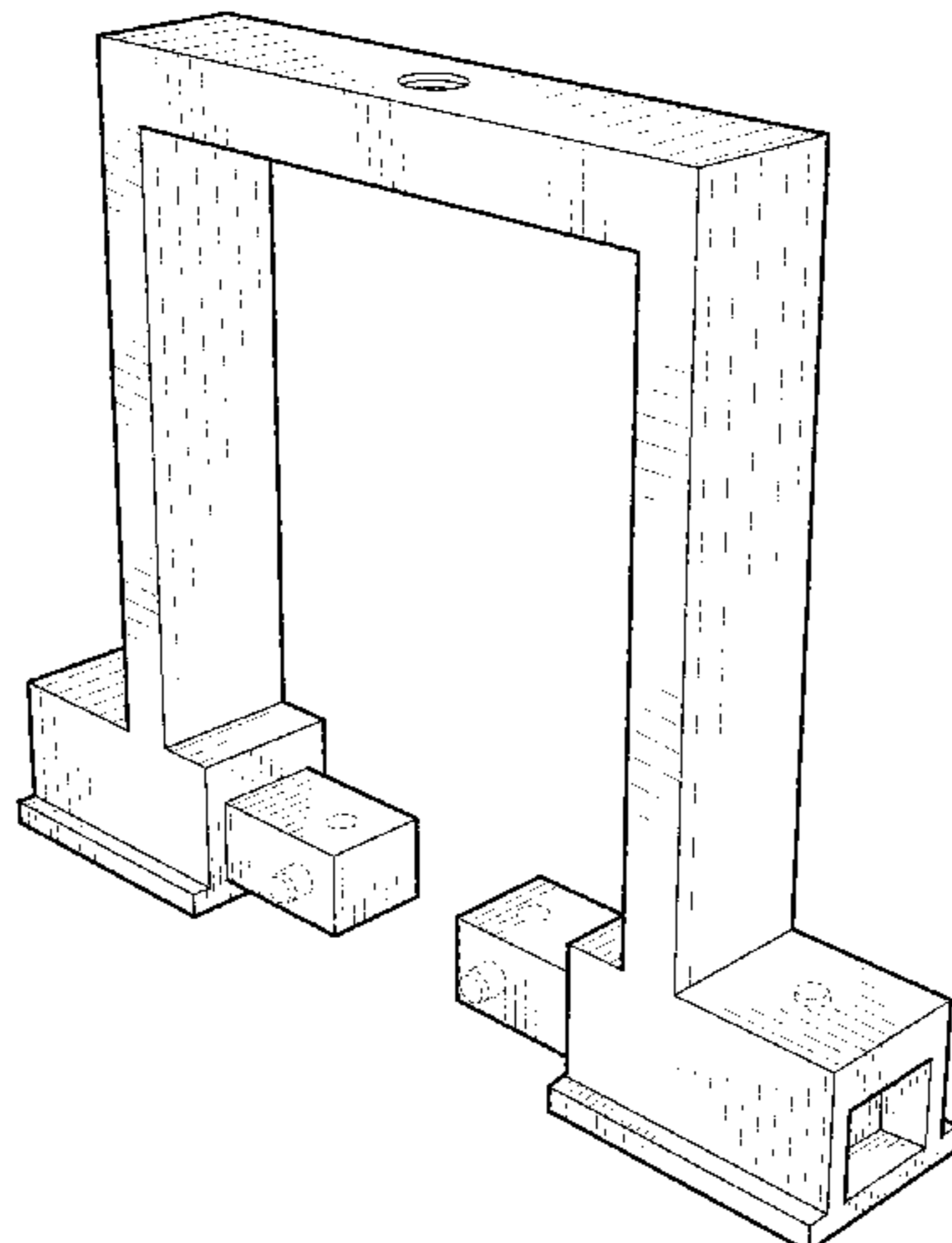
FIG. 21 is a top plan view thereof.

Note that the broken lines in the drawings illustrate portions of the rotating tool attachment that form no part of the claimed design.

Note further that the appearance of any portion of the article between the break lines as shown in FIGS. 8 through 21 form no part of the claimed design. The claim will be understood to be directed only to the design for the portions of the rotating tool attachment that are shown.

The break lines and brackets are graphical symbols to indicate a continuation in length of the structure that is

(Continued)



shown cutaway. These graphical symbols do not represent actual structure and do not form part of the claimed design.

**1 Claim, 18 Drawing Sheets**

**(58) Field of Classification Search**

CPC .. B23B 51/0045; F16B 13/002; F16B 13/065;  
F16B 21/10; F16B 2013/007; Y10T  
408/5583

See application file for complete search history.

**(56) References Cited**

U.S. PATENT DOCUMENTS

5,605,420	A *	2/1997	Feldsine	.....	B23C 5/006 407/32
6,439,552	B1 *	8/2002	Ageishi	.....	H02G 7/02 188/379
D751,880	S *	3/2016	Howell	.....	D8/70
D859,110	S *	9/2019	Miyazawa	.....	D8/44
10,920,848	B2 *	2/2021	Umstadt	.....	F16F 7/116
2011/0253443	A1 *	10/2011	Sasa	.....	H02G 7/02 174/40 TD

\* cited by examiner

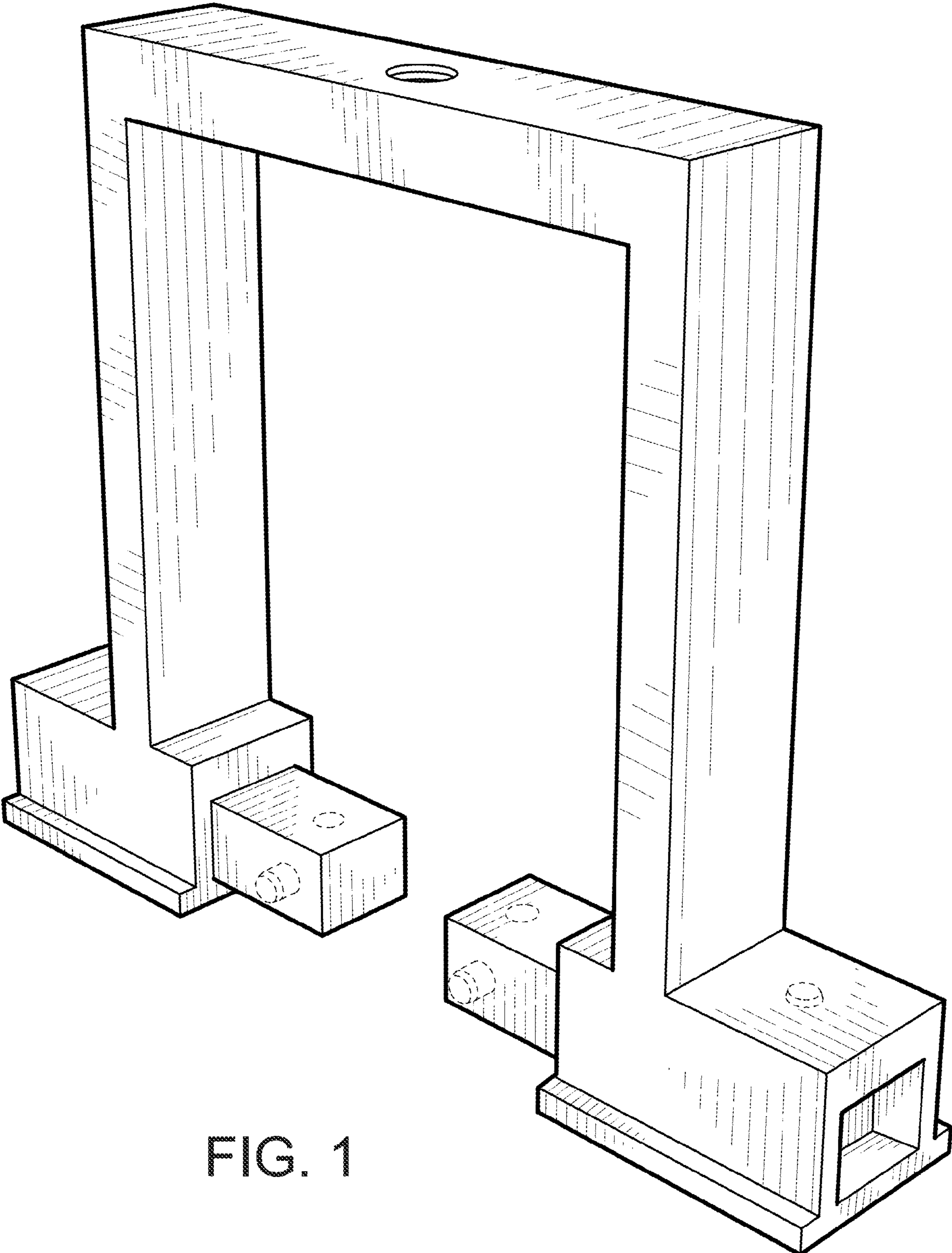


FIG. 1

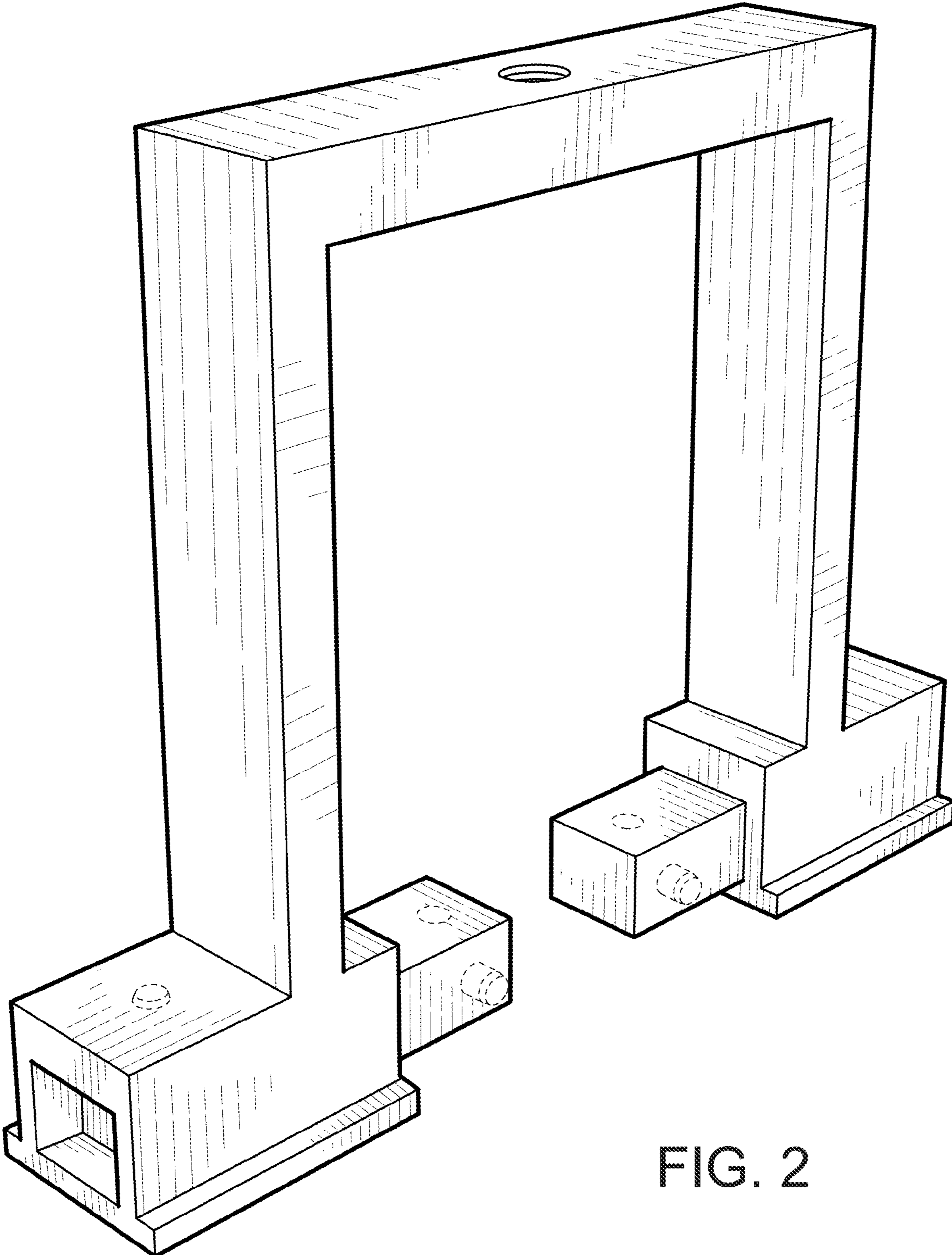


FIG. 2

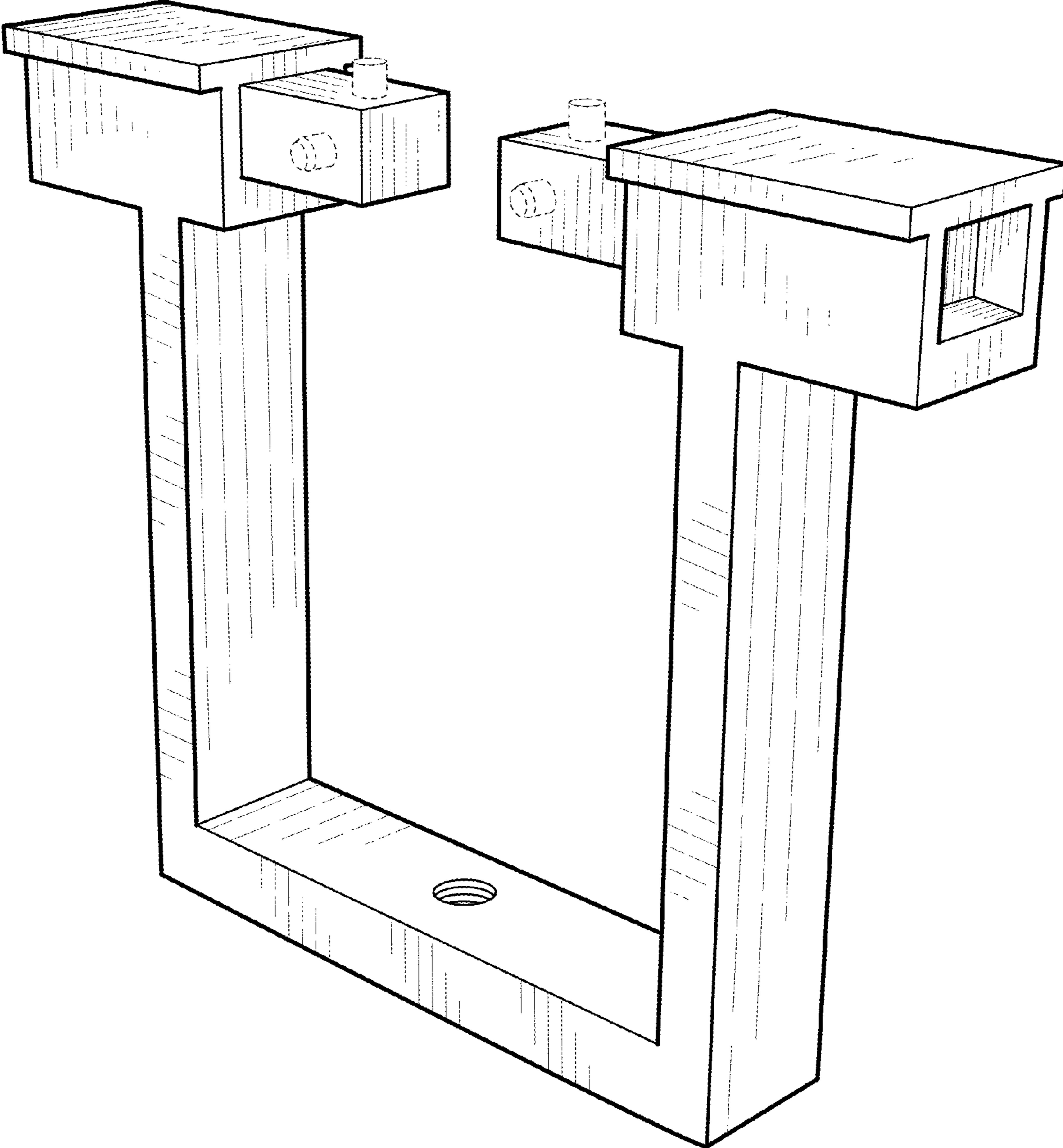


FIG. 3

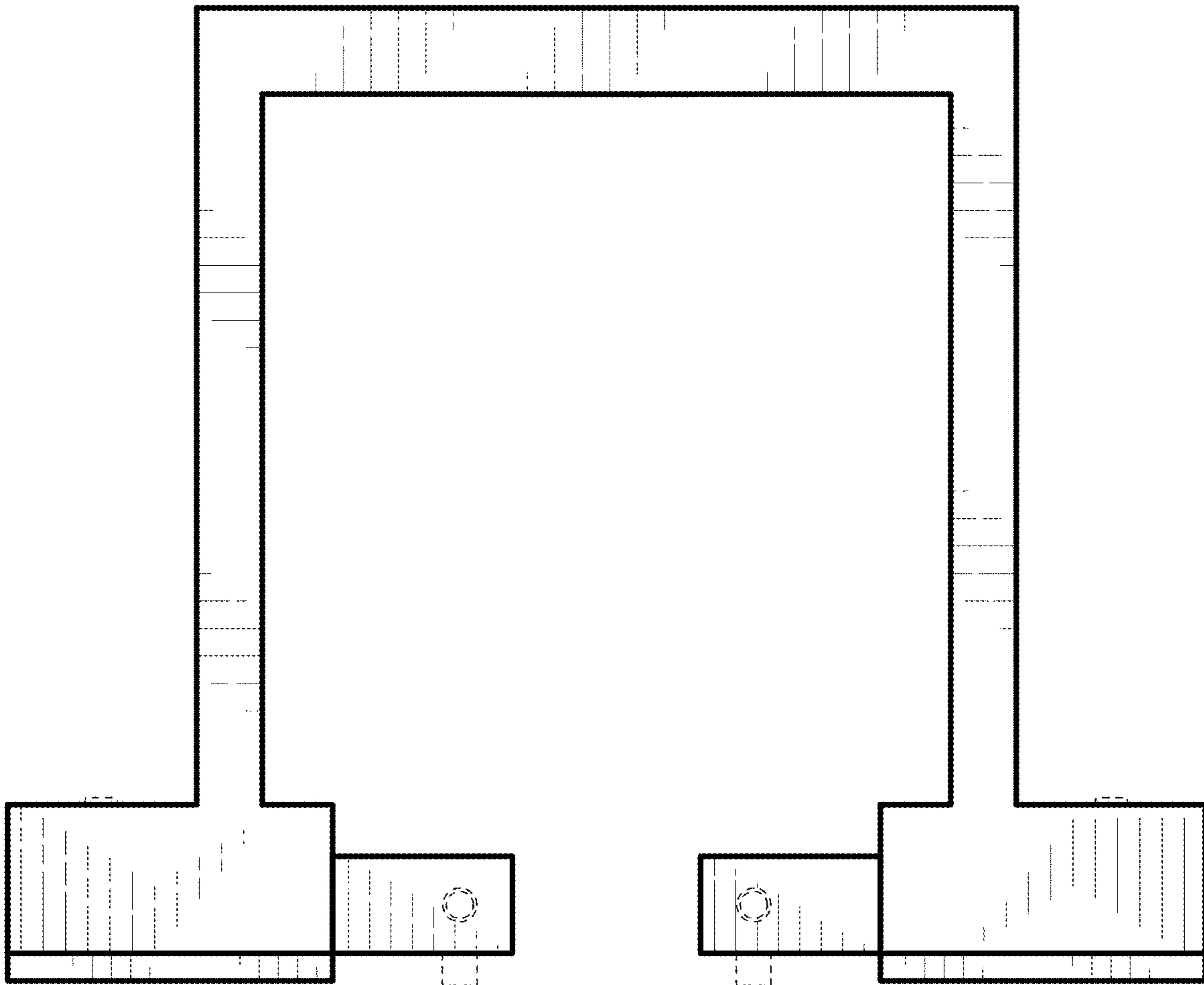


FIG. 4

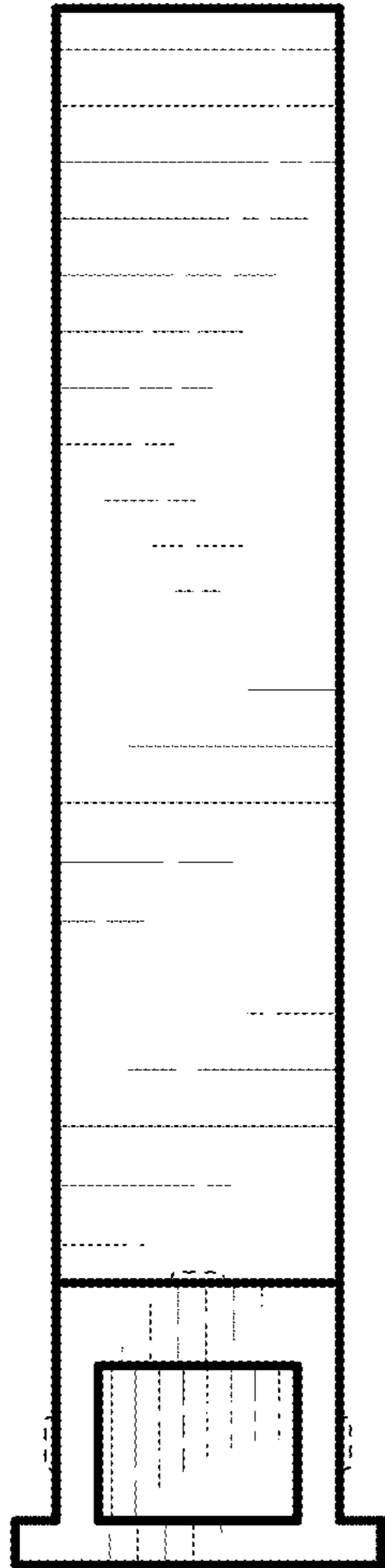


FIG. 5

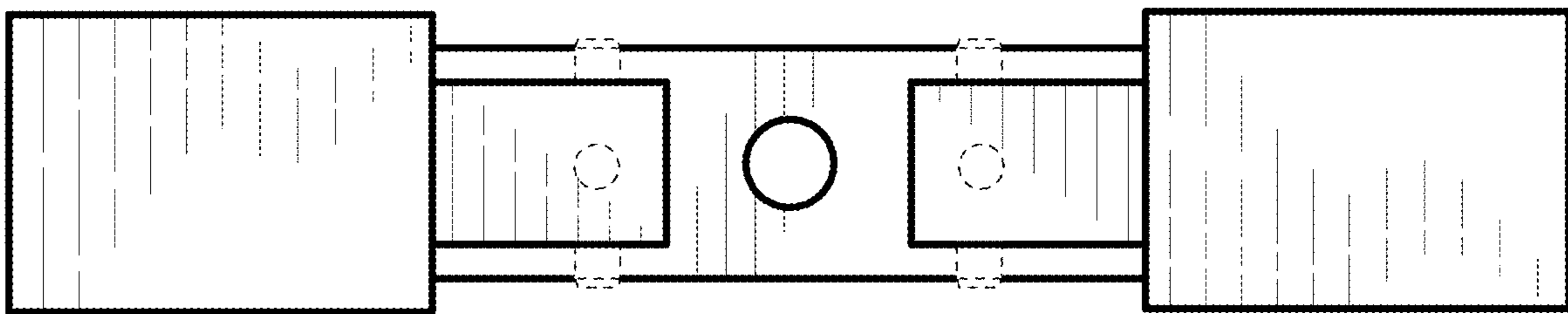


FIG. 6

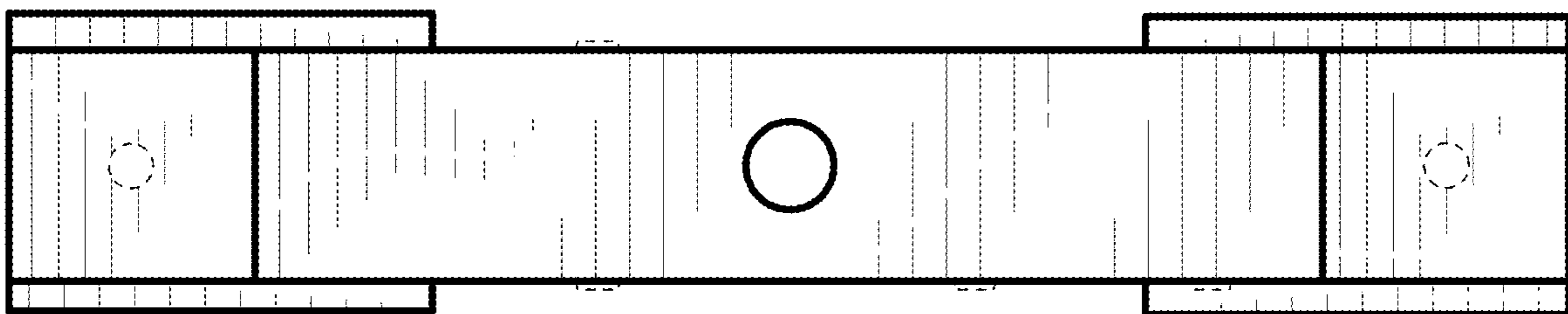


FIG. 7



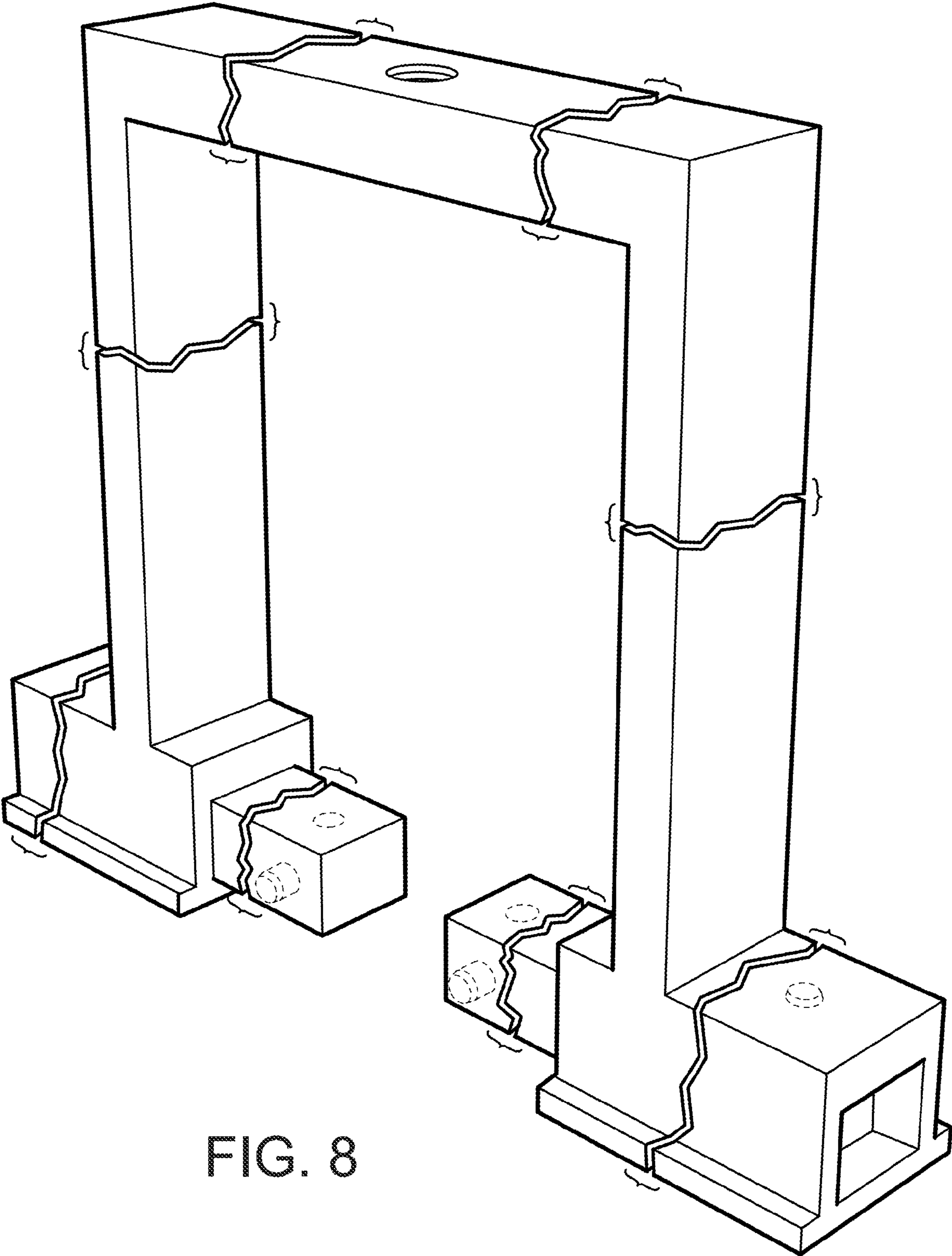


FIG. 8

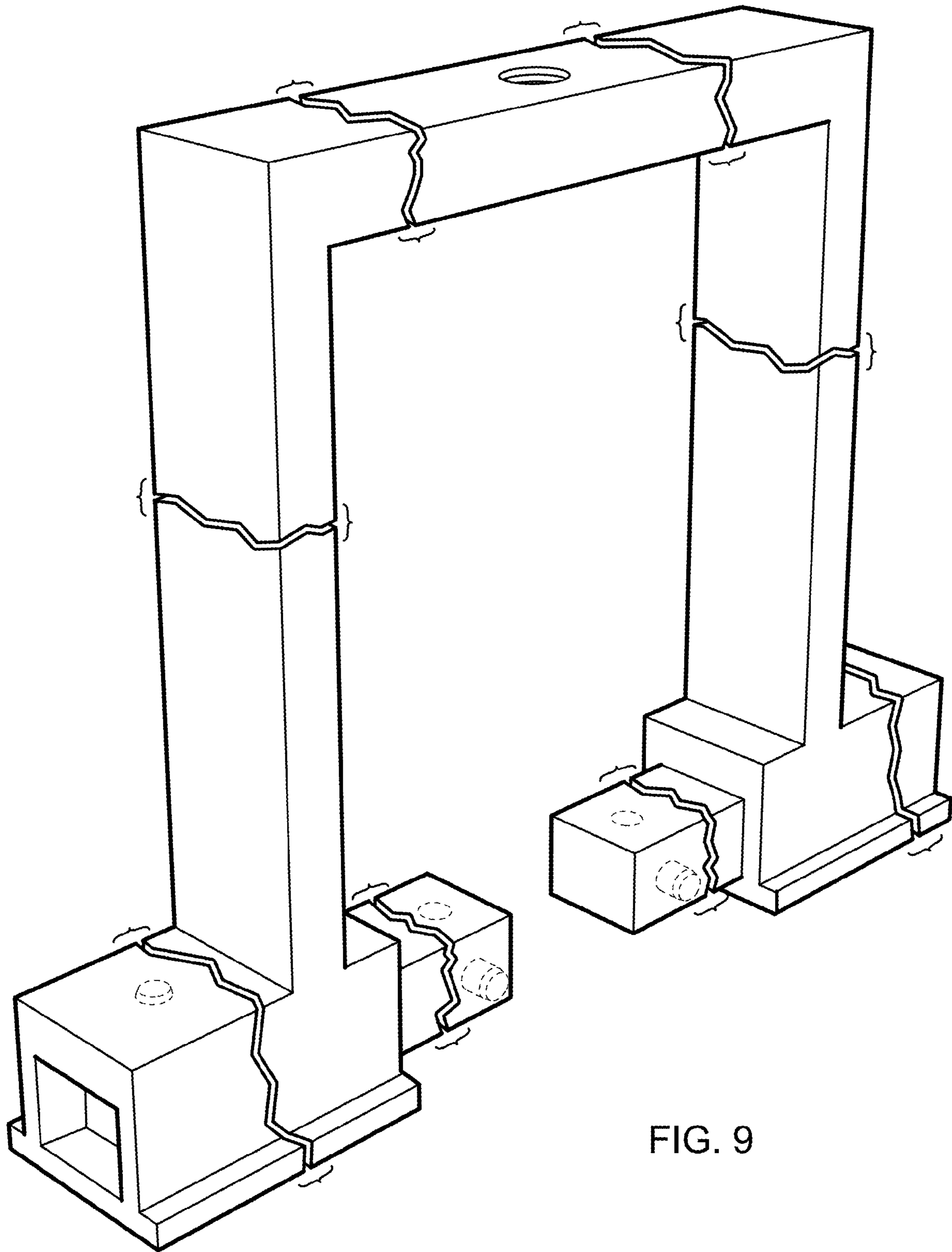


FIG. 9

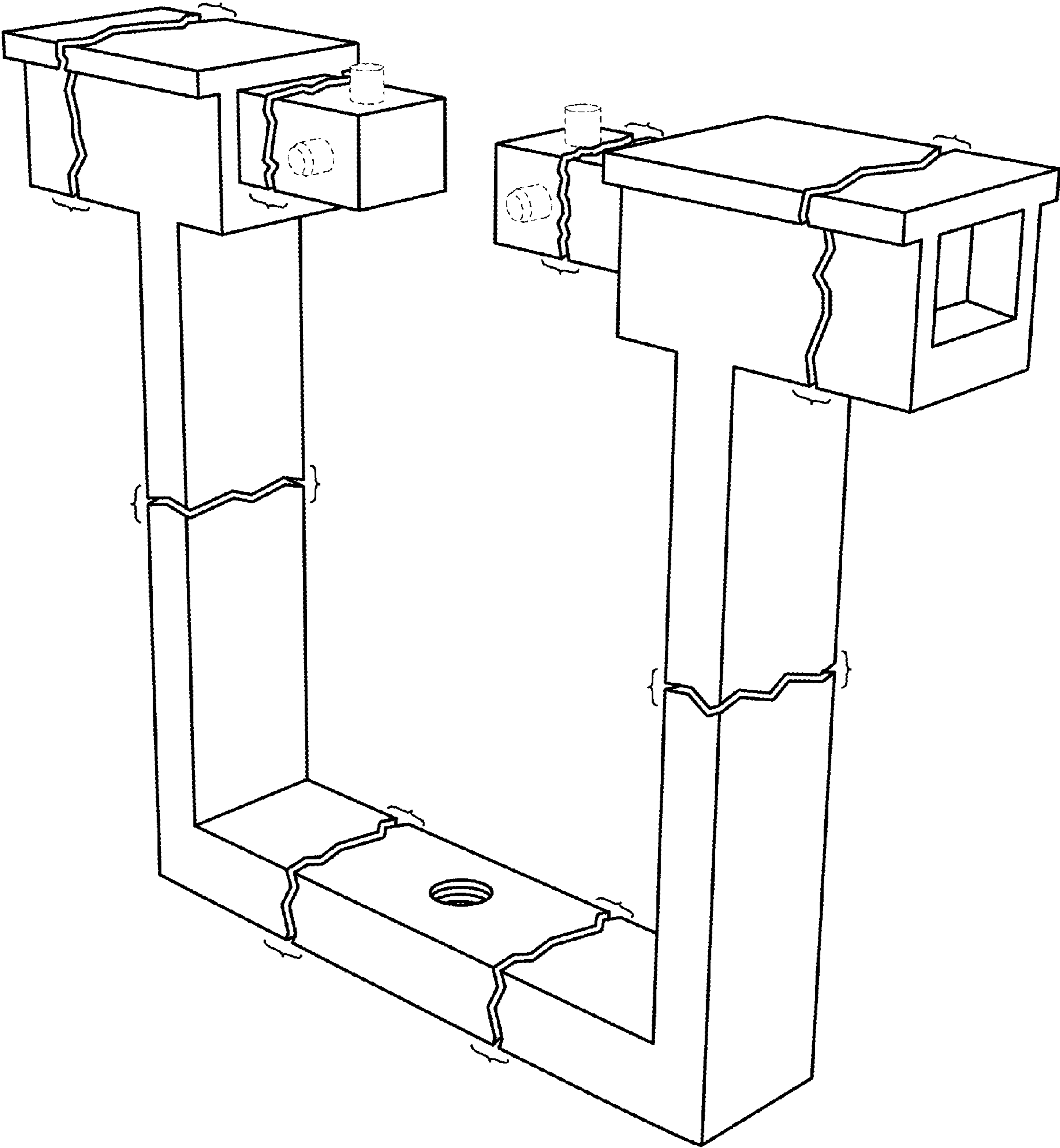


FIG. 10

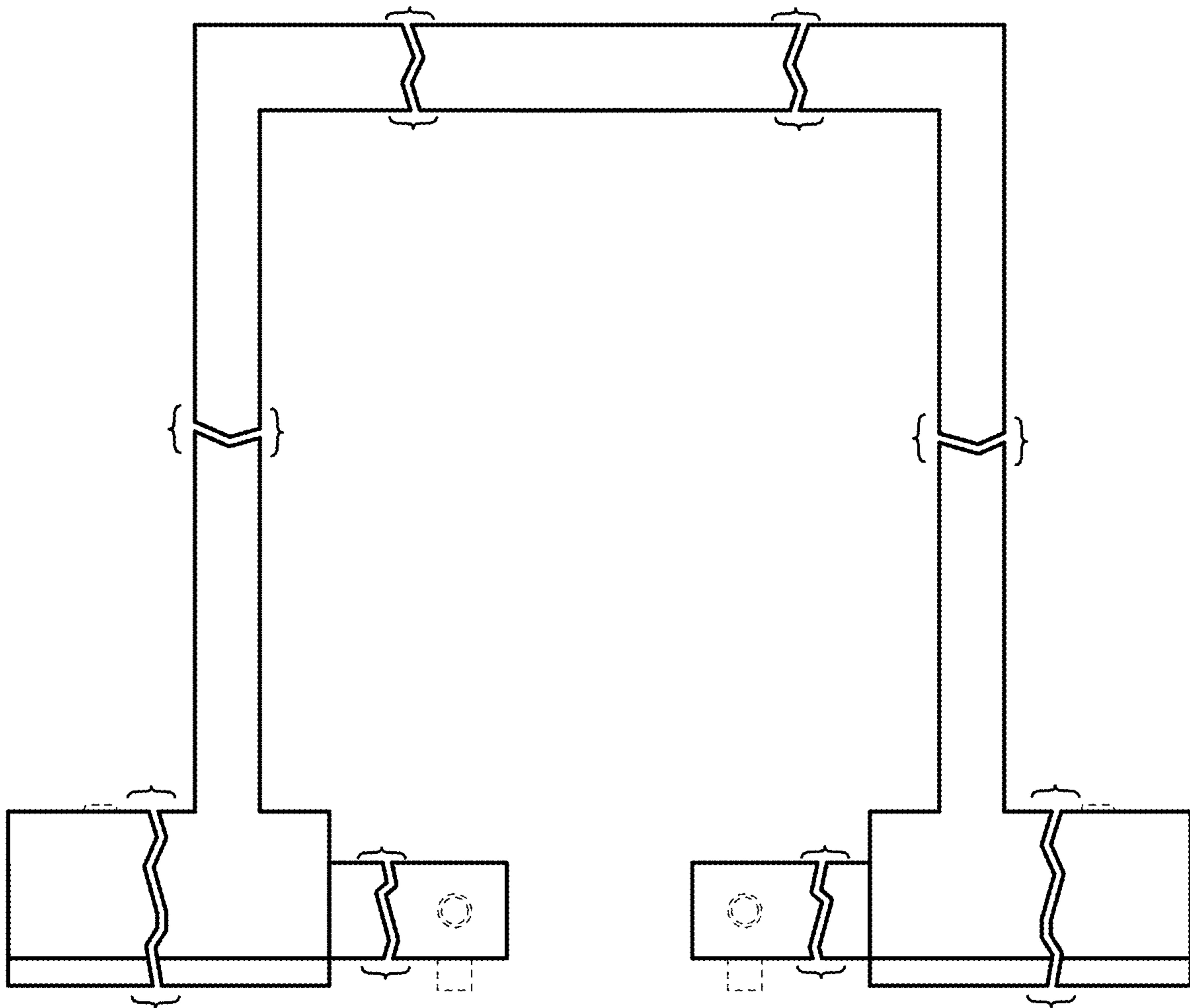


FIG. 11

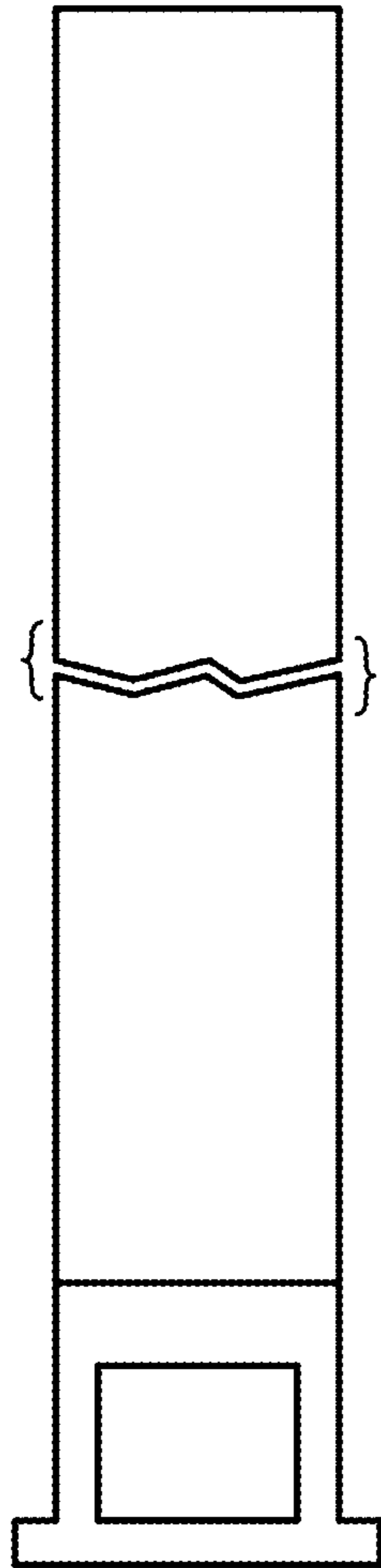


FIG. 12

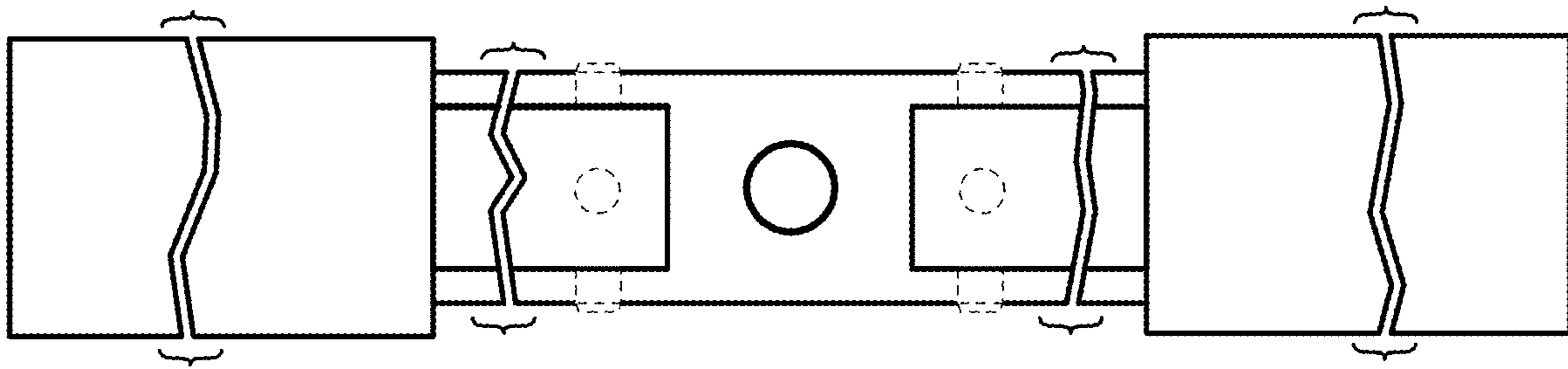


FIG. 13

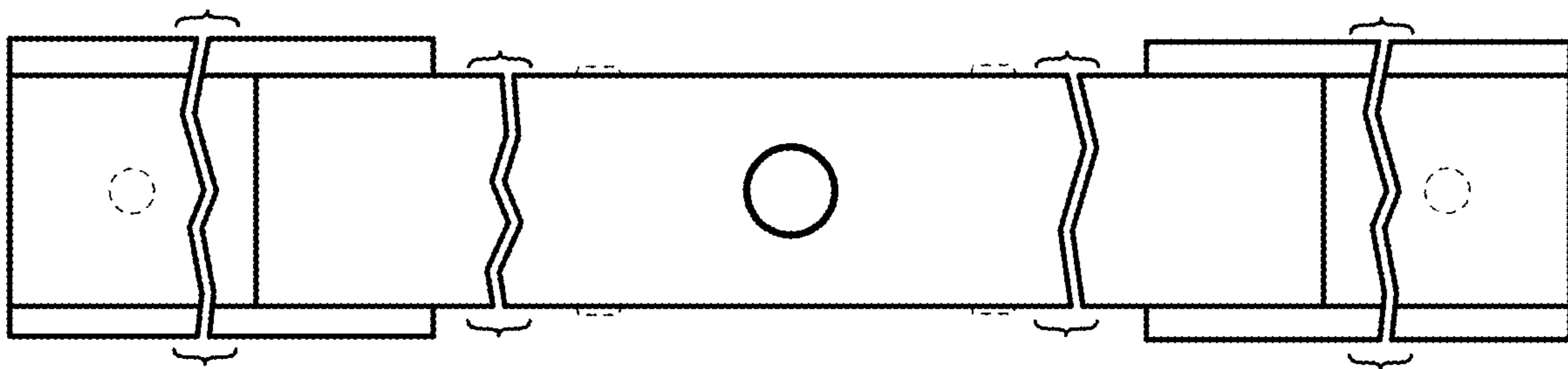


FIG. 14

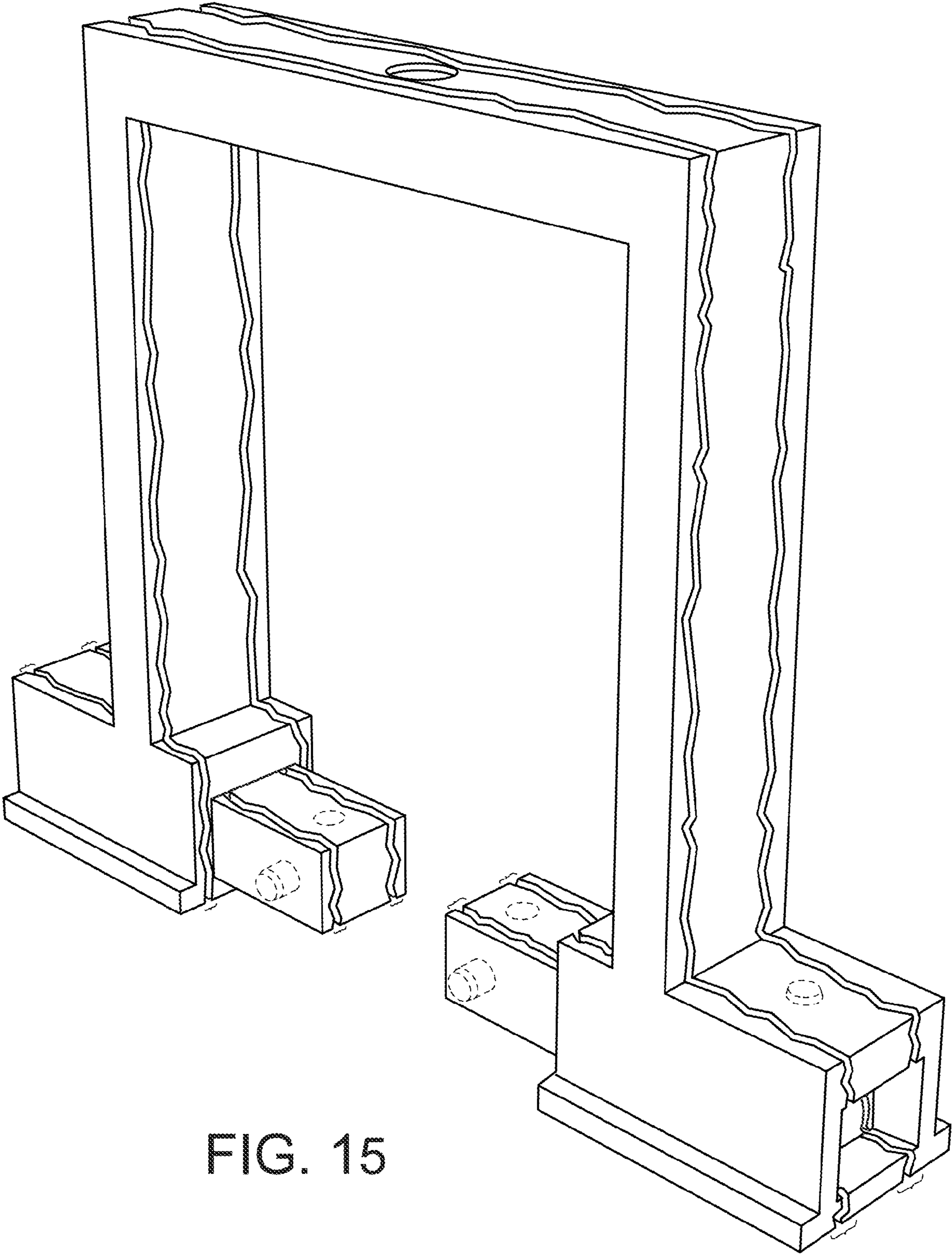


FIG. 15

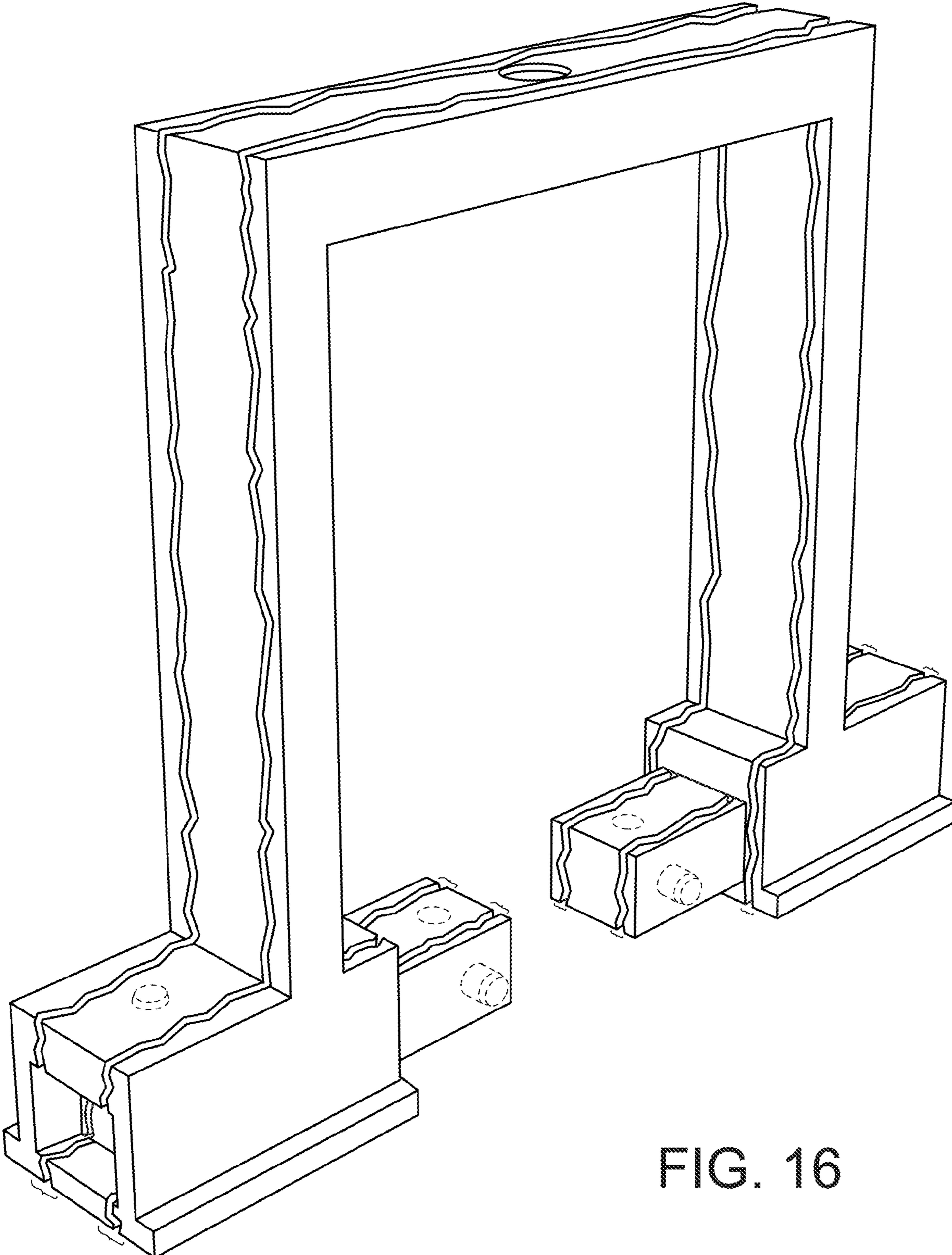


FIG. 16



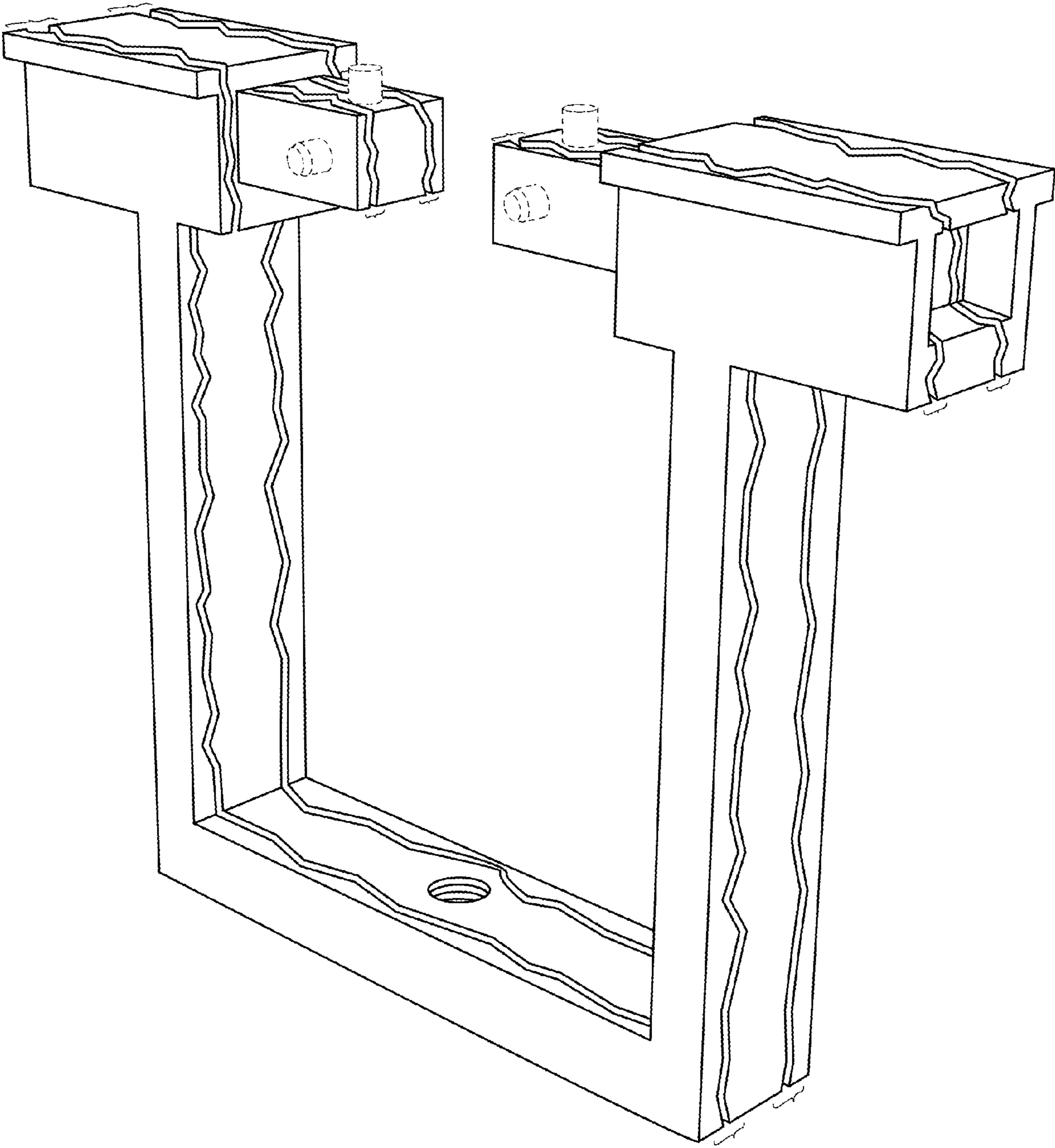


FIG. 17

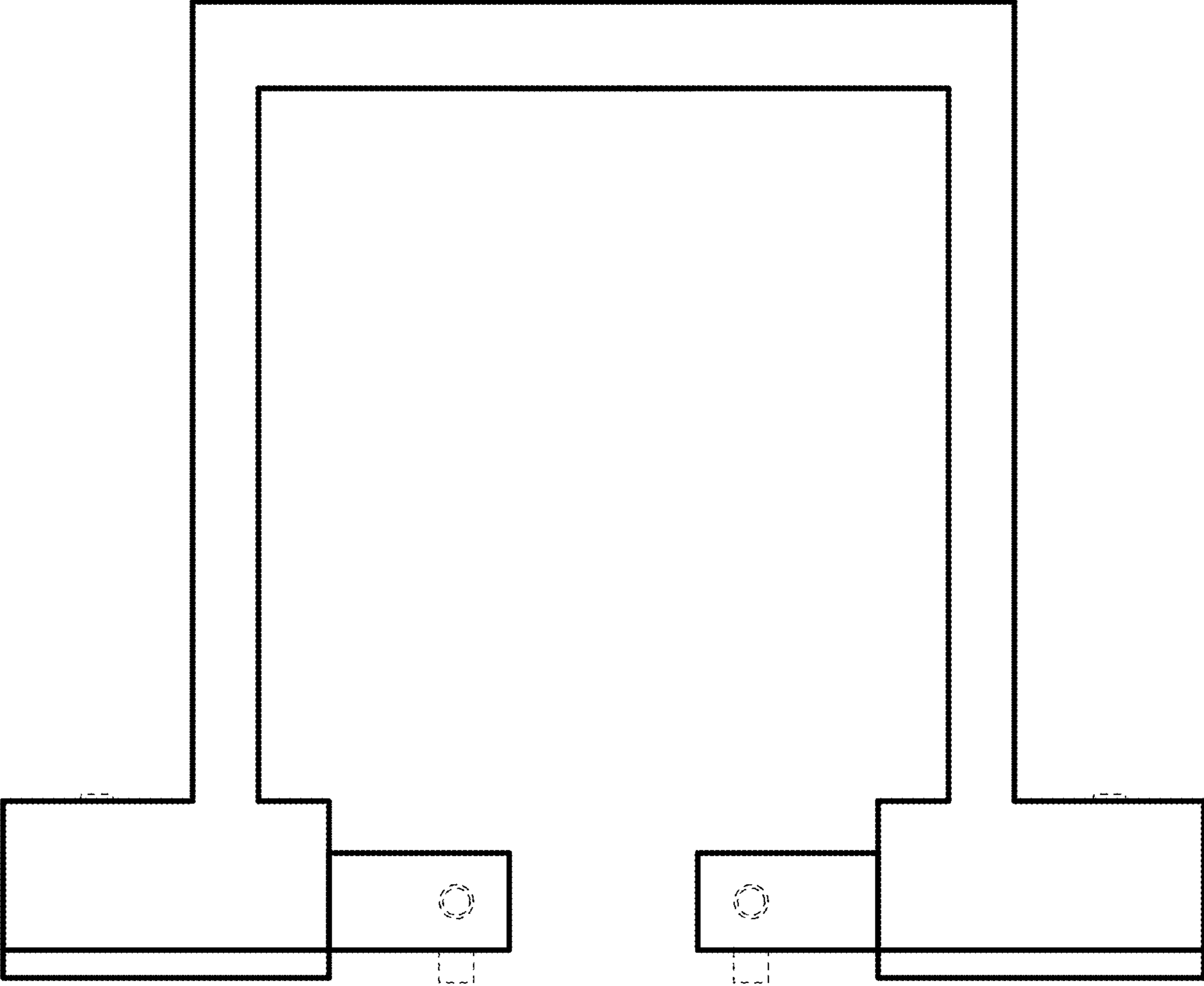


FIG. 18

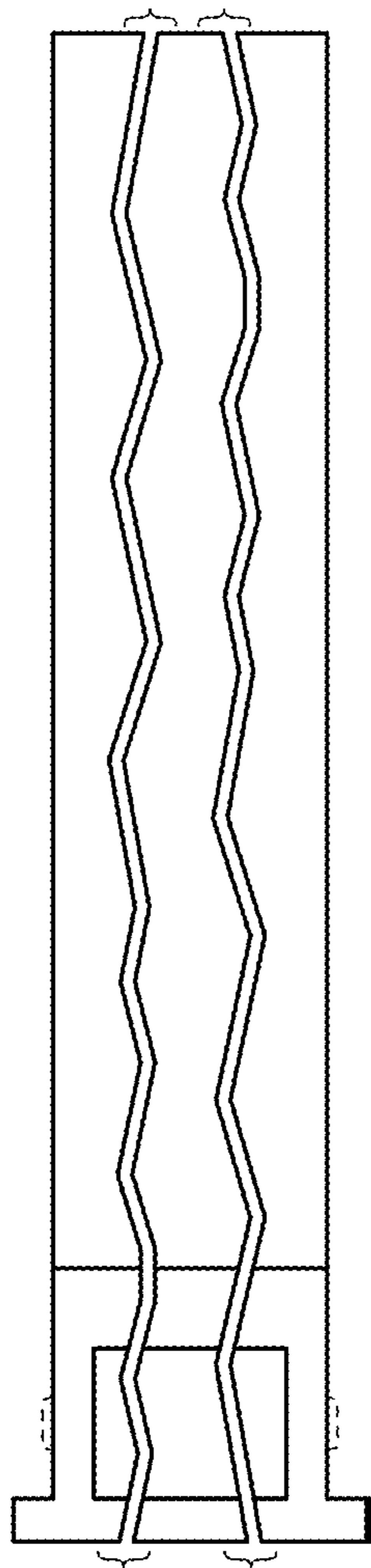


FIG. 19

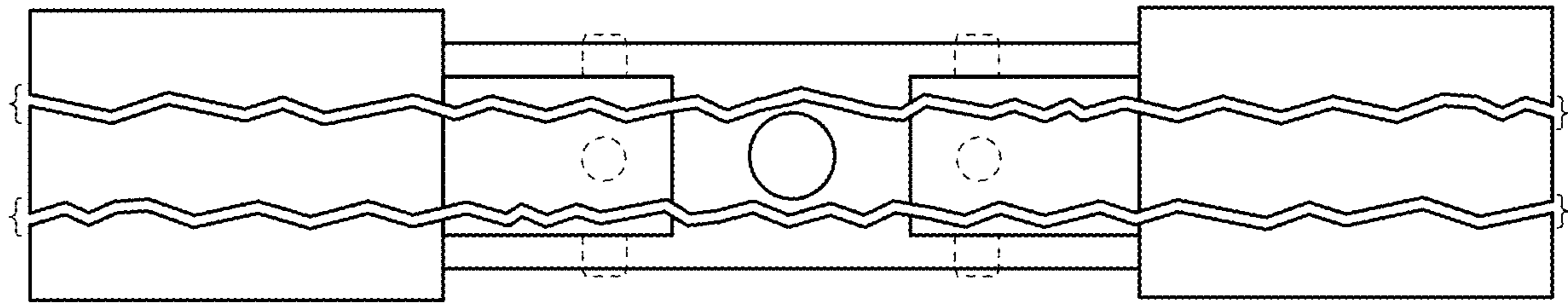


FIG. 20

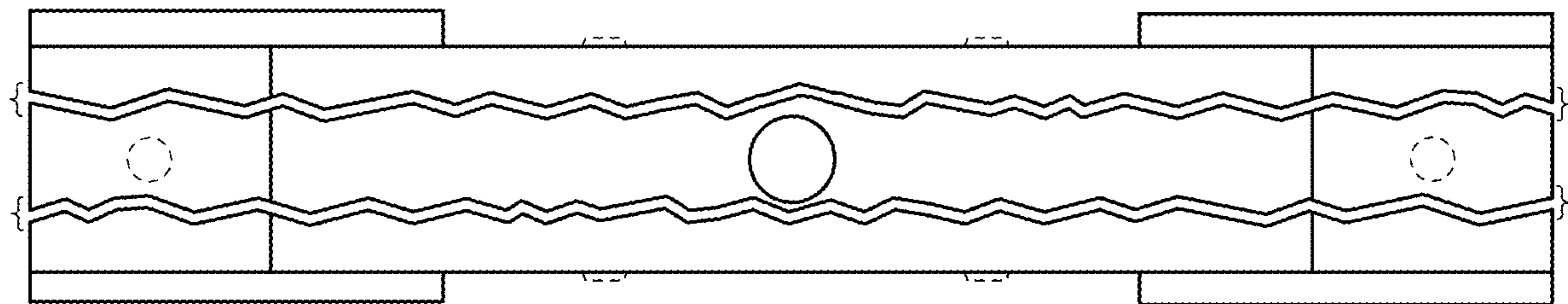


FIG. 21