



US00D937647S

(12) **United States Design Patent**
Kuang et al.

(10) **Patent No.:** **US D937,647 S**
(45) **Date of Patent:** **** Dec. 7, 2021**

(54) **CHAINSAW**

(71) Applicant: **Globe (Jiangsu) Co., Ltd.**, Changzhou (CN)

(72) Inventors: **Jie Kuang**, Changzhou (CN); **Song Zhang**, Changzhou (CN)

(73) Assignee: **Globe (Jiangsu) Co., Ltd.**, Changzhou (CN)

(**) Term: **15 Years**

(21) Appl. No.: **29/747,069**

(22) Filed: **Aug. 19, 2020**

Related U.S. Application Data

(62) Division of application No. 29/644,551, filed on Apr. 18, 2018, now Pat. No. Des. 897,175.

(30) **Foreign Application Priority Data**

Oct. 18, 2017 (CN) 201730496703.2
Oct. 18, 2017 (CN) 201730497087.2

(51) **LOC (13) Cl.** **08-03**

(52) **U.S. Cl.**
USPC **D8/65**

(58) **Field of Classification Search**
USPC D8/64, 65, 70
CPC B27B 17/025; B27B 17/00; B27B 17/02;
B27B 17/04; B25F 5/02; A01G 3/00;
Y10T 83/8878
See application file for complete search history.

(56) **References Cited**

U.S. PATENT DOCUMENTS

9,138,884 B2 * 9/2015 Heinzlmann B23Q 11/14
D767,962 S * 10/2016 Schoch D8/65
D790,303 S * 6/2017 Tinus D8/65
D805,869 S * 12/2017 Baxter D8/65

D859,950 S * 9/2019 Dretzka D8/65
D897,175 S * 9/2020 Kuang D8/65
2019/0262753 A1 * 8/2019 Miura F02M 35/024
2019/0366580 A1 * 12/2019 Lu B27B 17/14
2021/0114249 A1 * 4/2021 Li B27B 17/14

FOREIGN PATENT DOCUMENTS

WO WO-2017028202 A1 * 2/2017 B27B 17/14
WO WO-2019076458 A1 * 4/2019 B27B 33/14

* cited by examiner

Primary Examiner — Sandra Snapp

Assistant Examiner — Ieisha N Price

(74) *Attorney, Agent, or Firm* — Dorton & Willis, LLP

(57) **CLAIM**

The ornamental design for a chainsaw, as shown and described.

DESCRIPTION

FIG. 1 is a front isometric view of the chainsaw according to the invention.

FIG. 2 is a rear isometric view of the chainsaw according to the invention.

FIG. 3 is a front view of the chainsaw according to the invention.

FIG. 4 is a right side view of the chainsaw according to the invention.

FIG. 5 is a rear view of the chainsaw according to the invention.

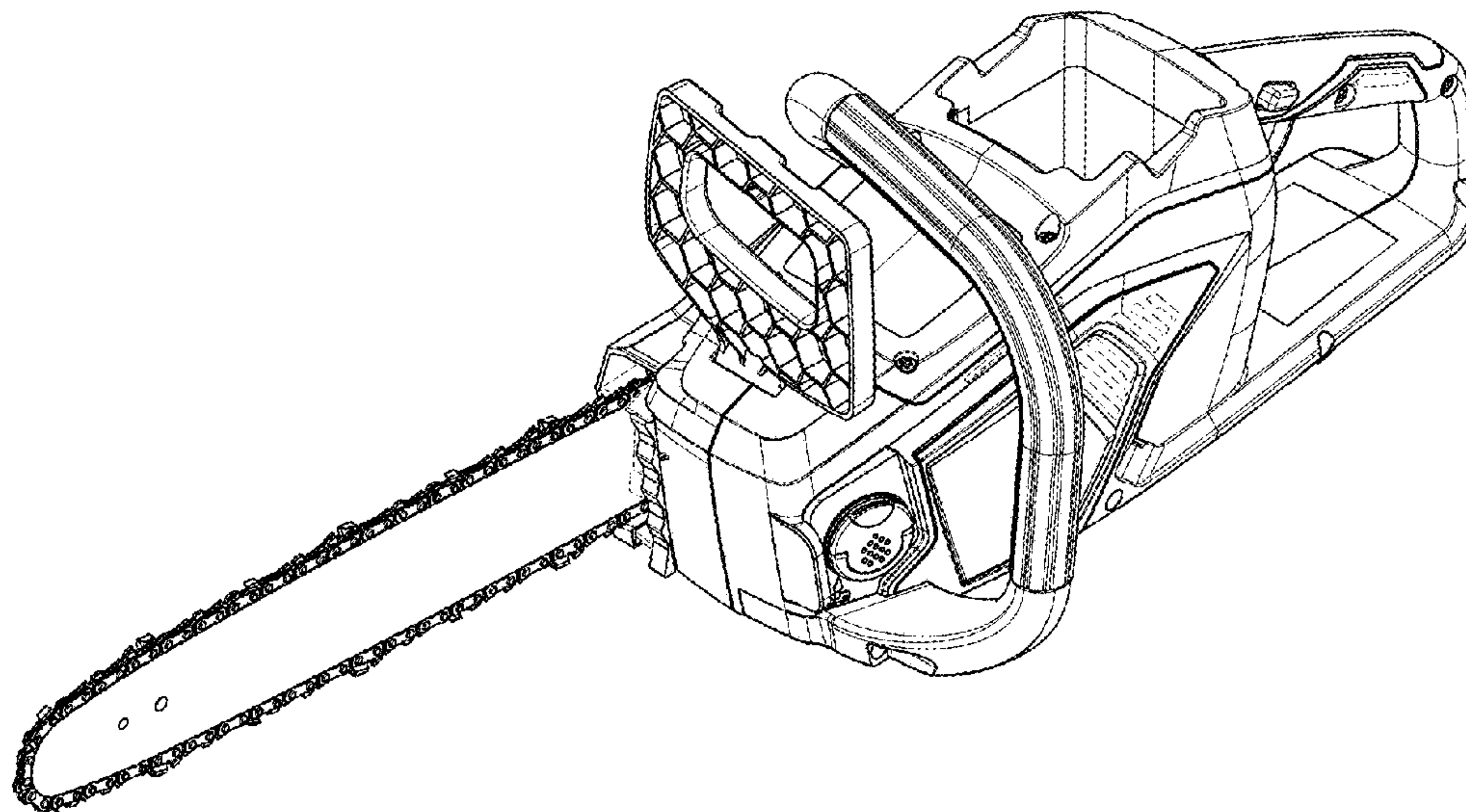
FIG. 6 is a left side view of the chainsaw according to the invention.

FIG. 7 is a top view of the chainsaw according to the invention; and,

FIG. 8 is a bottom view of the chainsaw according to the invention.

The broken lines in the drawings illustrate portions of the chainsaw and form no part of the claimed design.

1 Claim, 8 Drawing Sheets



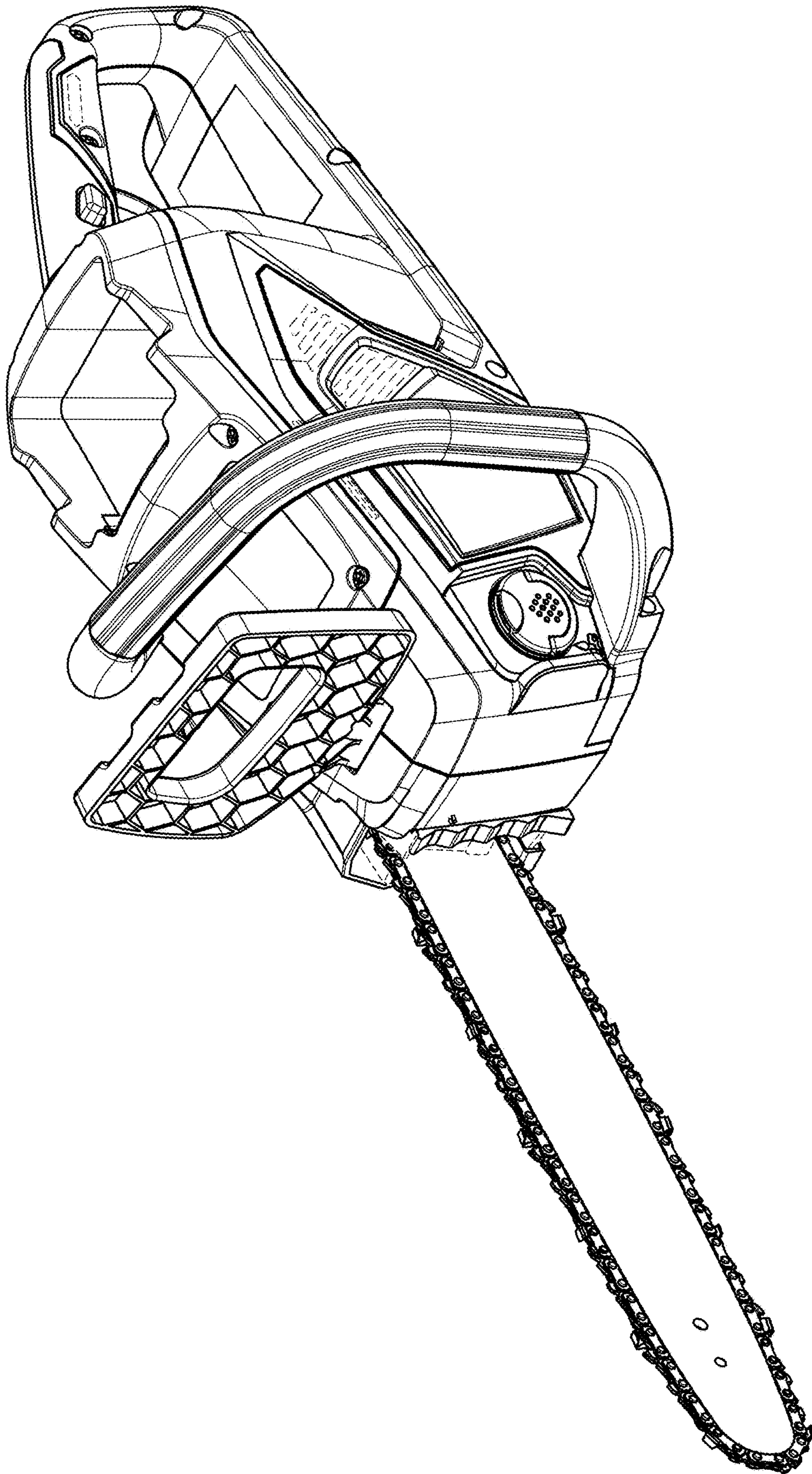


FIG. 1

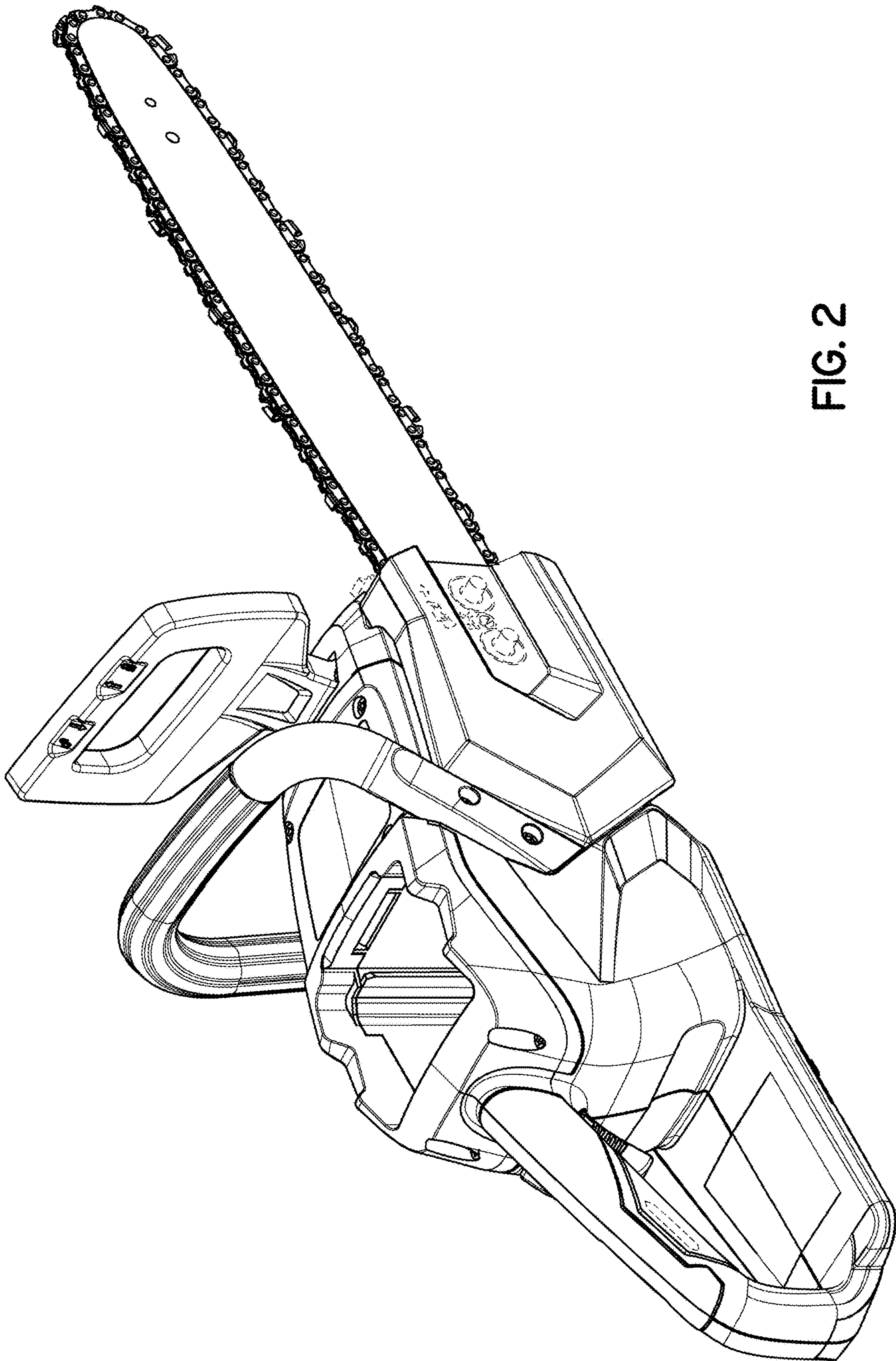


FIG. 2

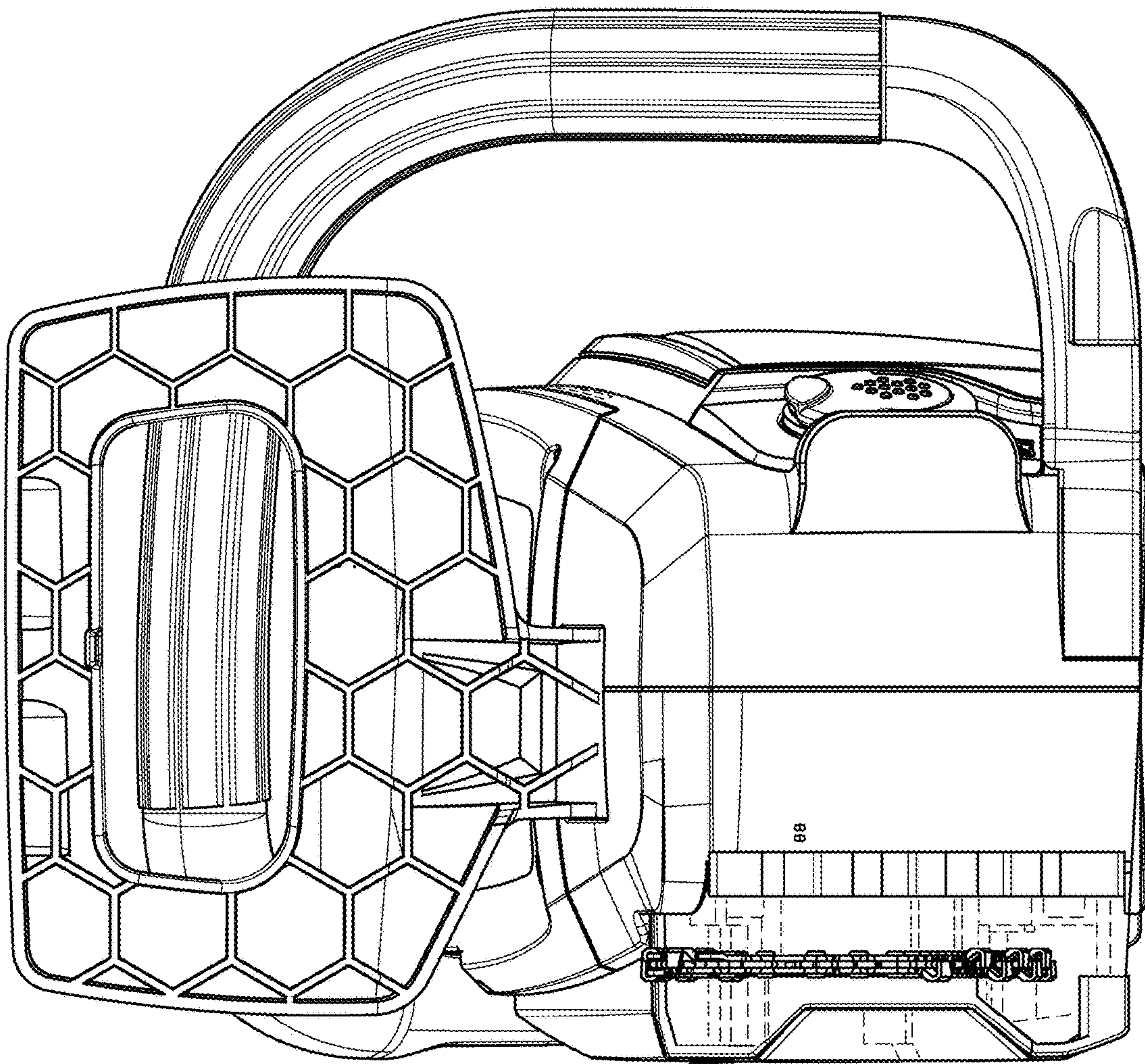


FIG. 3

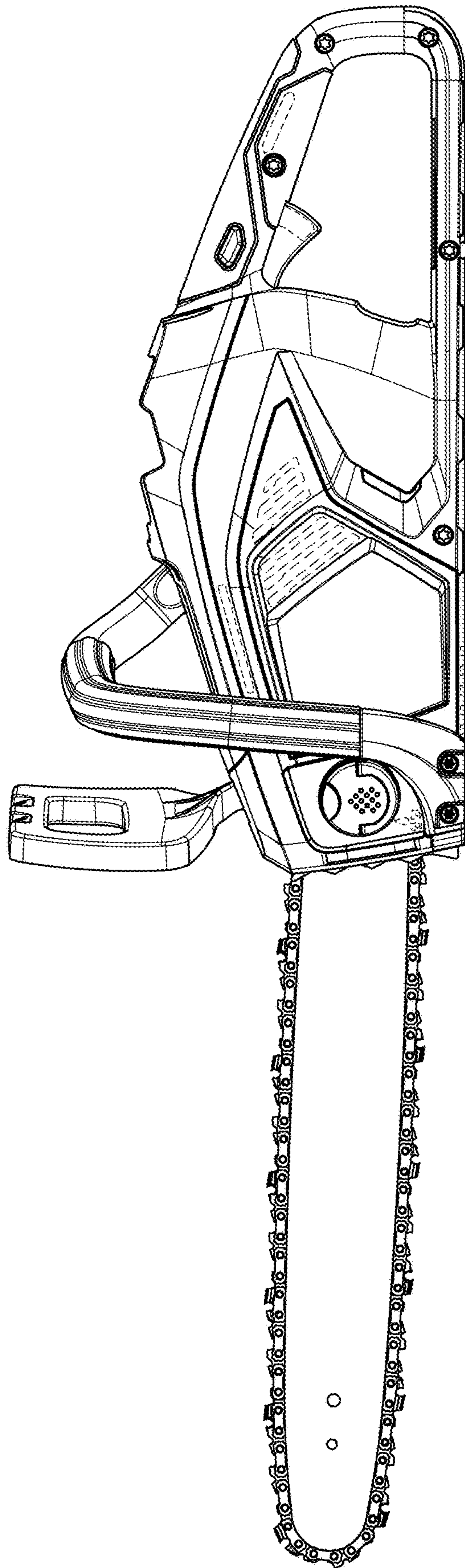


FIG. 4

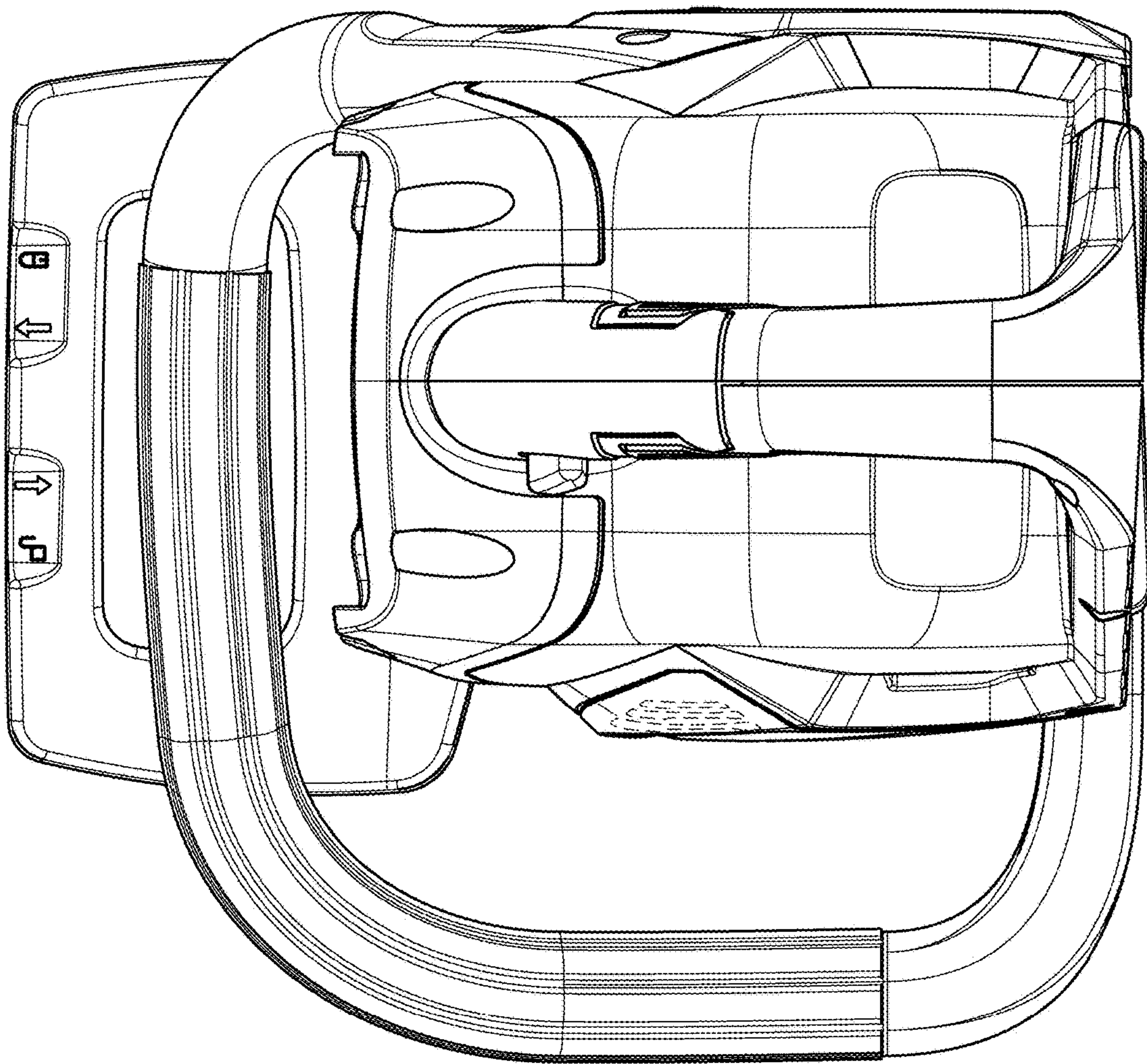


FIG. 5

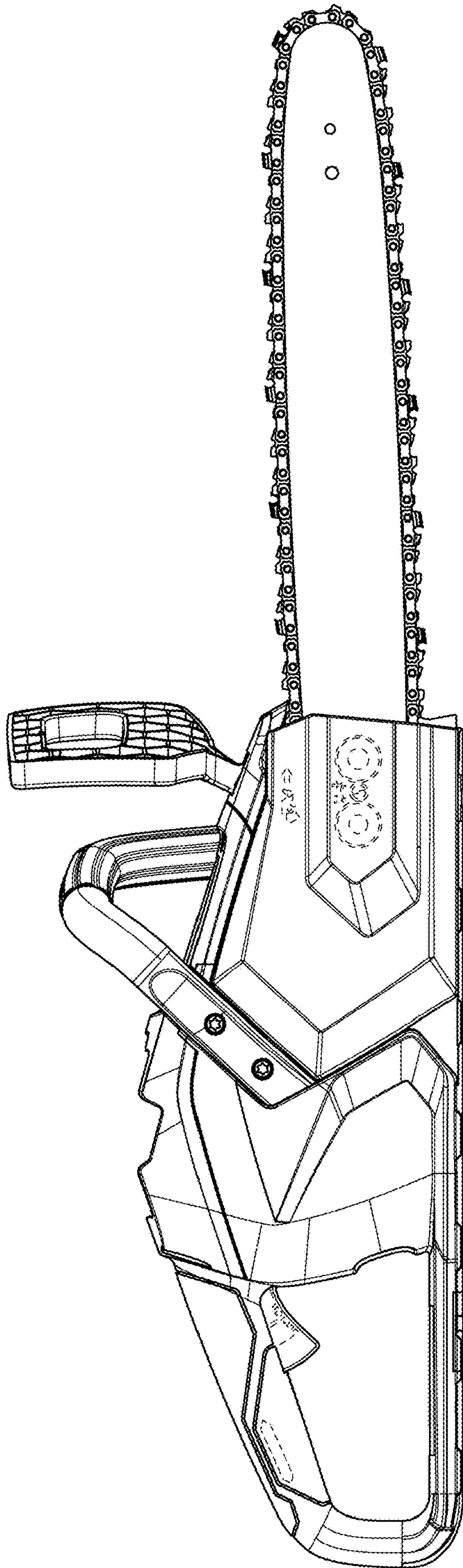


FIG. 6

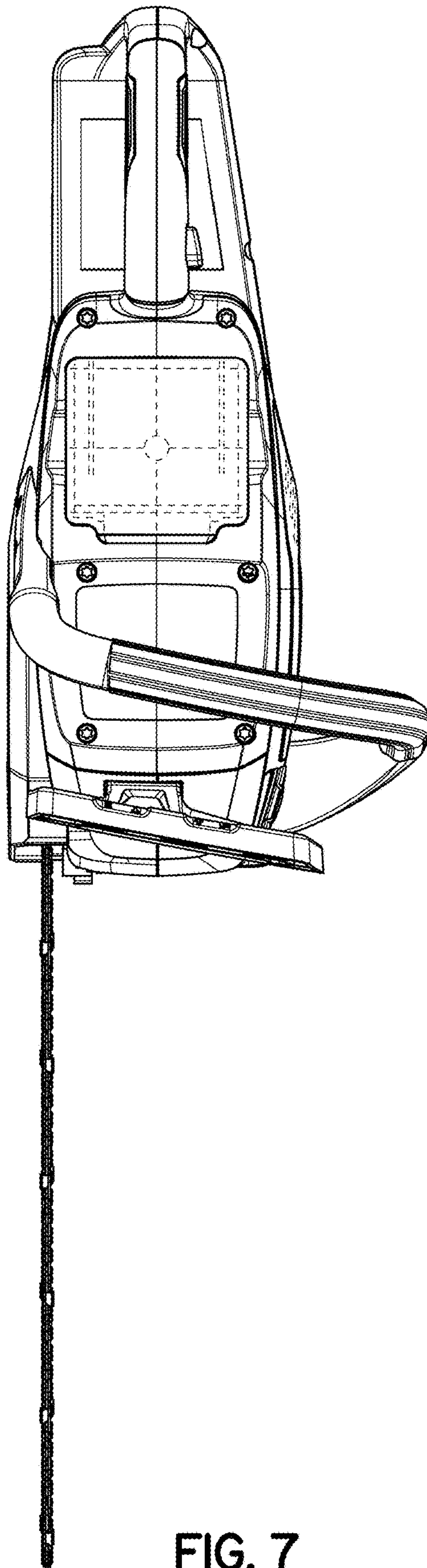


FIG. 7

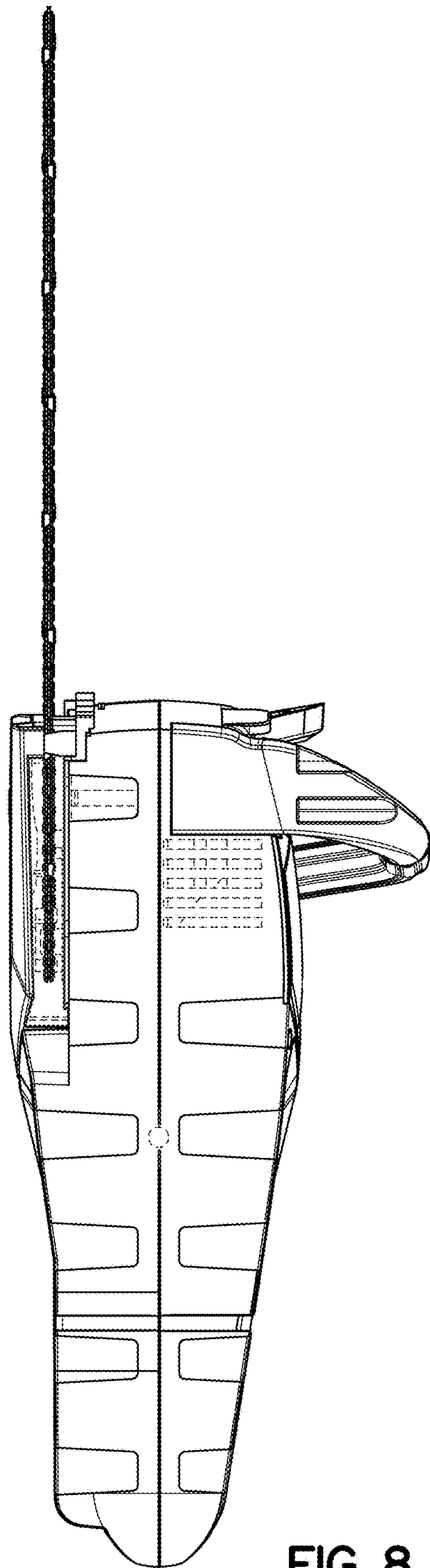


FIG. 8