



US00D937645S

(12) **United States Design Patent**
Gou

(10) **Patent No.:** **US D937,645 S**
(45) **Date of Patent:** **** Dec. 7, 2021**

- (54) **SOLDERING IRON**
- (71) Applicant: **Guangzhou Yihua Electronic Equipment Co., Ltd.,** Guangzhou (CN)
- (72) Inventor: **Mingkang Gou,** Guangzhou (CN)
- (73) Assignee: **Guangzhou Yihua Electronic Equipment Co., Ltd.,** Guangdong (CN)
- (**) Term: **15 Years**
- (21) Appl. No.: **29/735,881**
- (22) Filed: **May 26, 2020**

5,928,536 A *	7/1999	Lee	B23K 3/033
				219/229
6,989,511 B1 *	1/2006	Tsai	B23K 3/0338
				219/229
9,314,863 B2 *	4/2016	Teraoka	B23K 3/033
D847,233 S *	4/2019	Gou	D15/144
D847,234 S *	4/2019	Gou	D15/144
D847,235 S *	4/2019	Gou	D15/144
D862,547 S *	10/2019	Xie	D15/144.2
D865,014 S *	10/2019	Xu	D15/144.2
D879,169 S *	3/2020	Xu	D15/144.2
2006/0108345 A1 *	5/2006	Shigekawa	B23K 3/0338
				219/229
2013/0105466 A1 *	5/2013	Teraoka	B23K 3/033
				219/538

Related U.S. Application Data

- (62) Division of application No. 29/690,779, filed on May 10, 2019, now Pat. No. Des. 891,209.
- (51) **LOC (13) Cl.** **08-05**
- (52) **U.S. Cl.**
USPC **D8/30**
- (58) **Field of Classification Search**
USPC D8/14, 29.1, 29.2, 30, 51; D15/144
CPC B23K 3/0615; B23K 3/063; B23K 3/06;
B23K 3/046; B23K 3/021; B23K 3/022;
B23K 3/023; B23K 3/033
See application file for complete search history.

References Cited

U.S. PATENT DOCUMENTS

D300,200 S *	3/1989	Arehart	D8/30
D300,297 S *	3/1989	Arehart	D8/30

* cited by examiner

Primary Examiner — Philip S Hyder

(74) *Attorney, Agent, or Firm* — Lucas & Mercanti, LLP

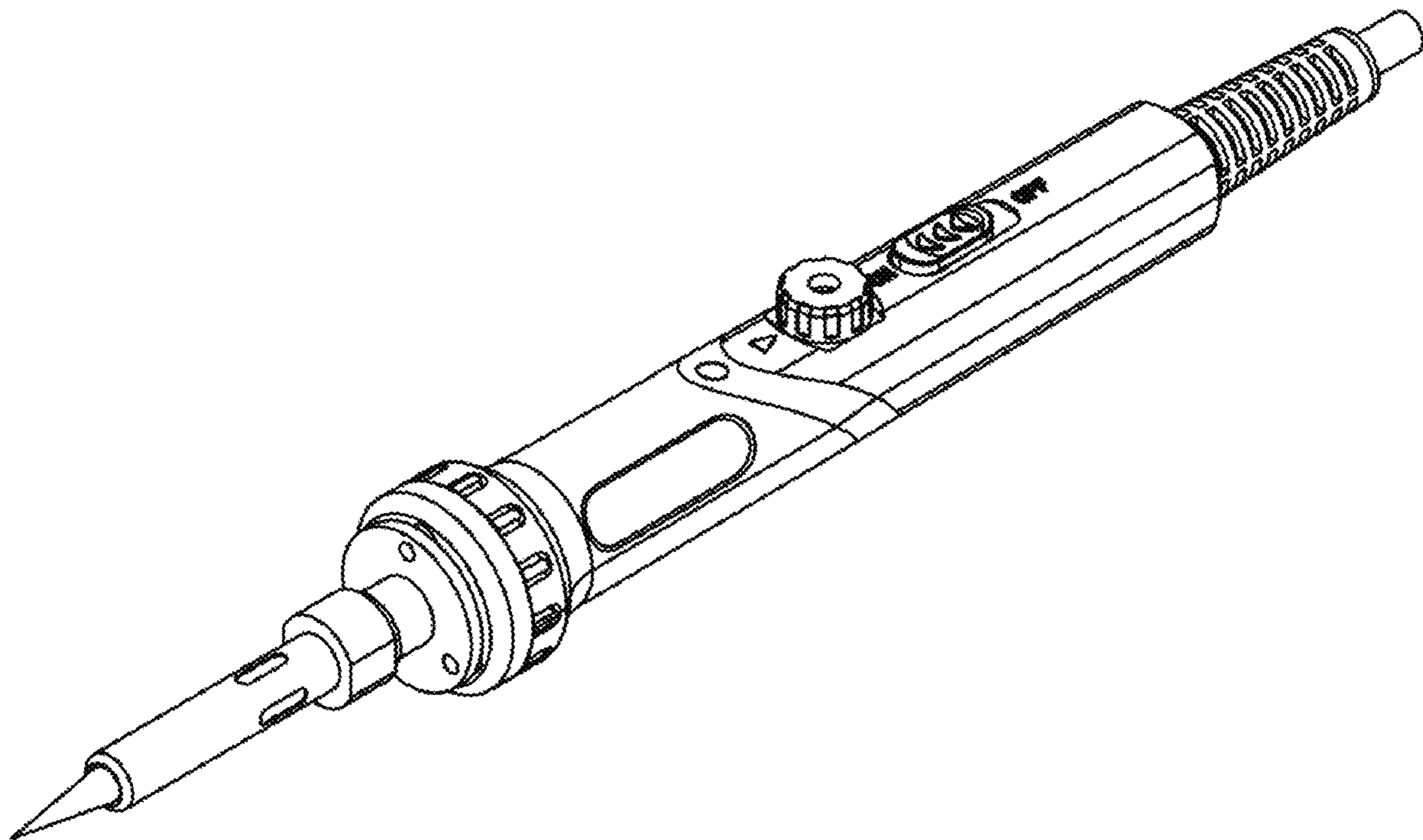
(57) **CLAIM**

The ornamental design for a soldering iron, as shown and described.

DESCRIPTION

FIG. 1 is a perspective view of the soldering iron.
 FIG. 2 is a front view thereof;
 FIG. 3 is a rear view thereof;
 FIG. 4 is a left side view thereof;
 FIG. 5 is a right side view thereof;
 FIG. 6 is a top view thereof; and,
 FIG. 7 is a bottom view thereof.

1 Claim, 4 Drawing Sheets



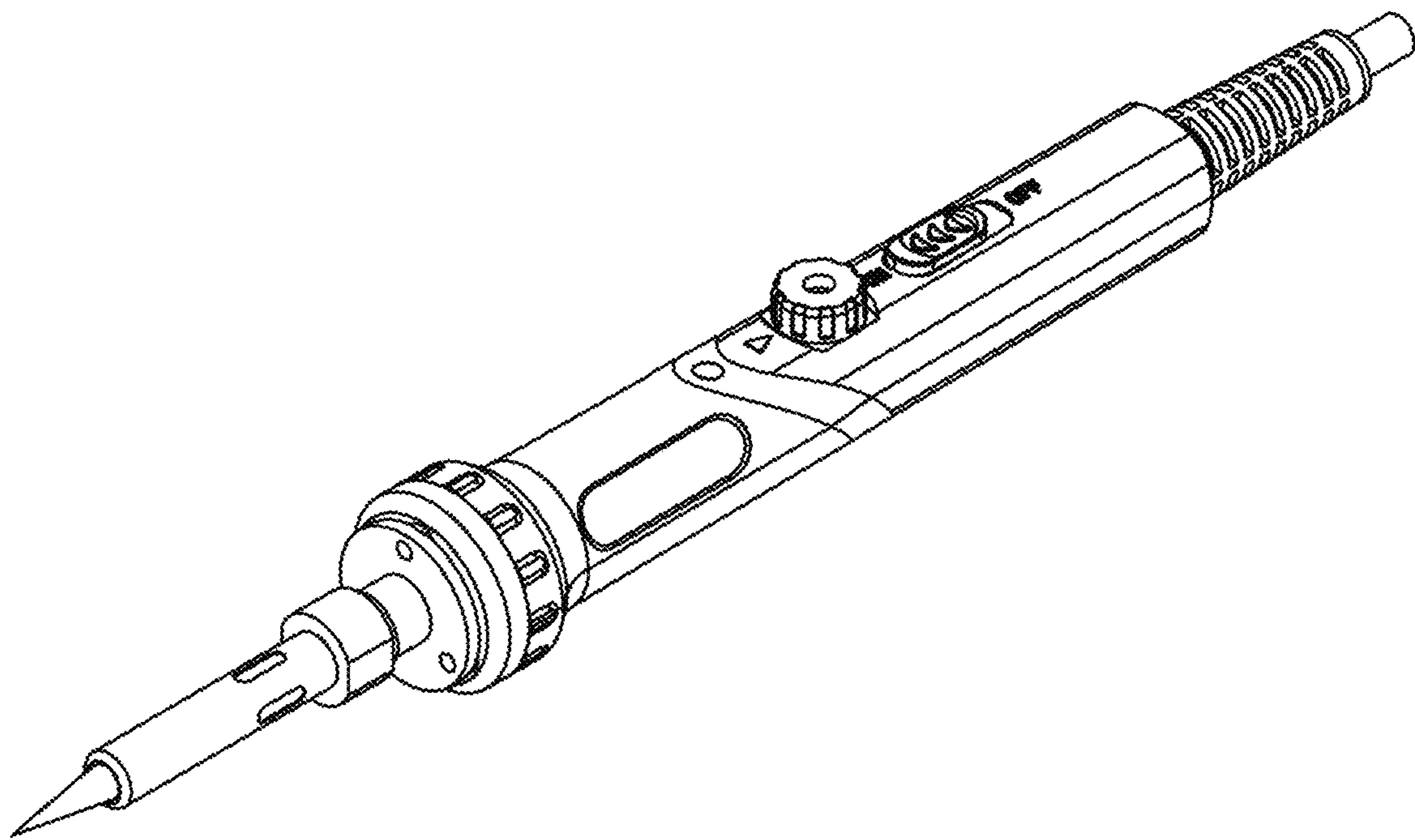


FIG. 1

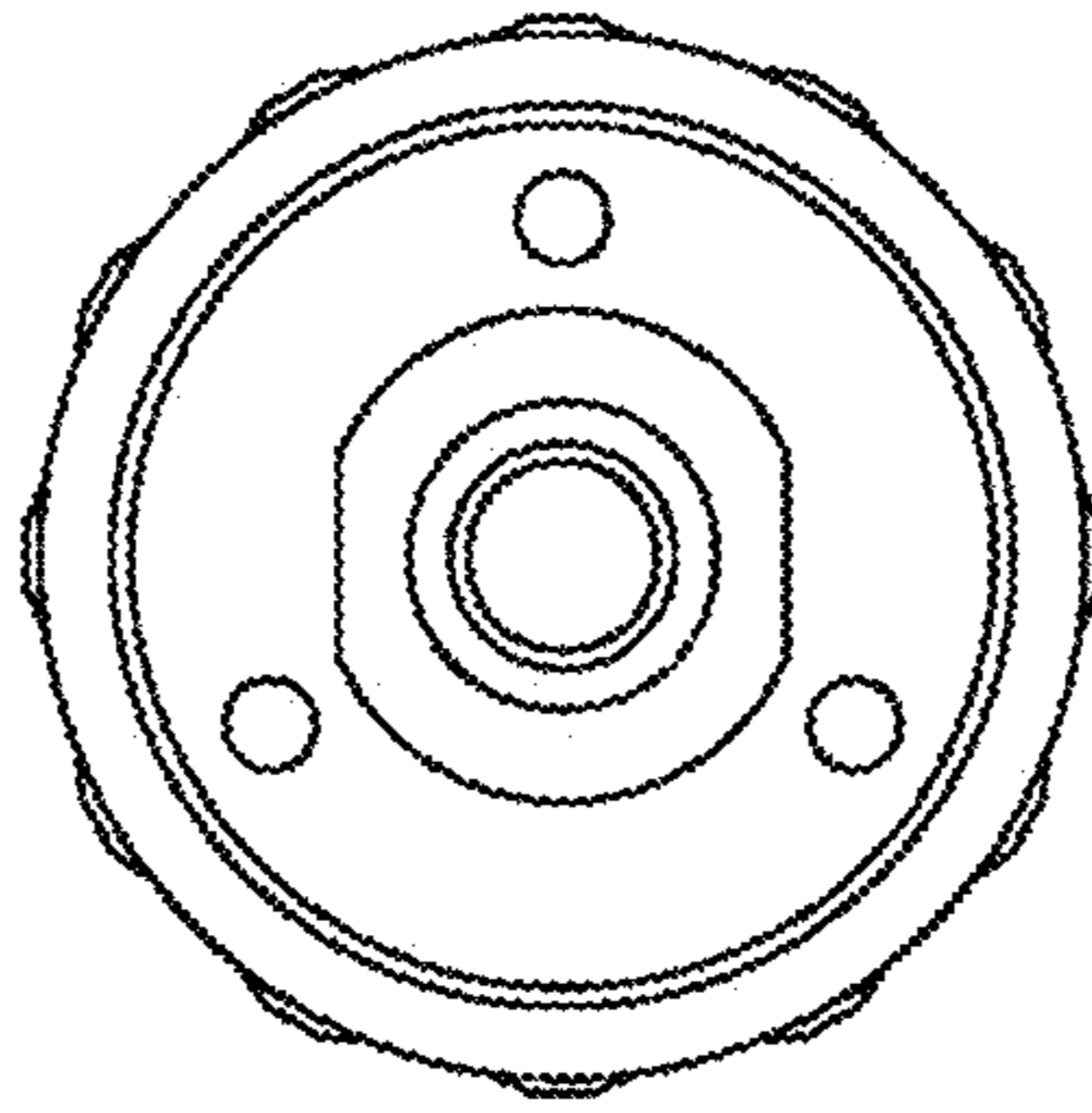


FIG. 2

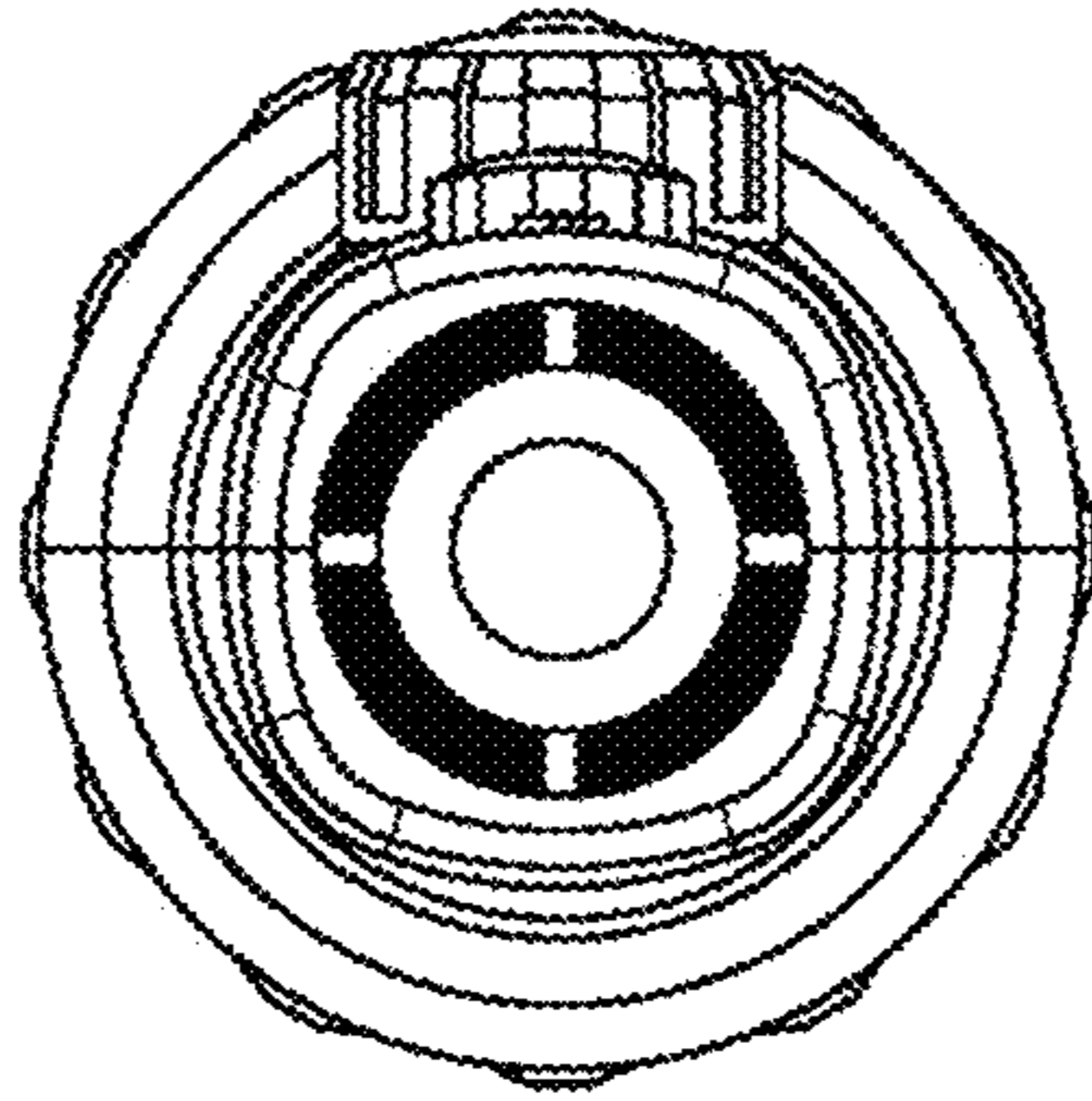


FIG. 3

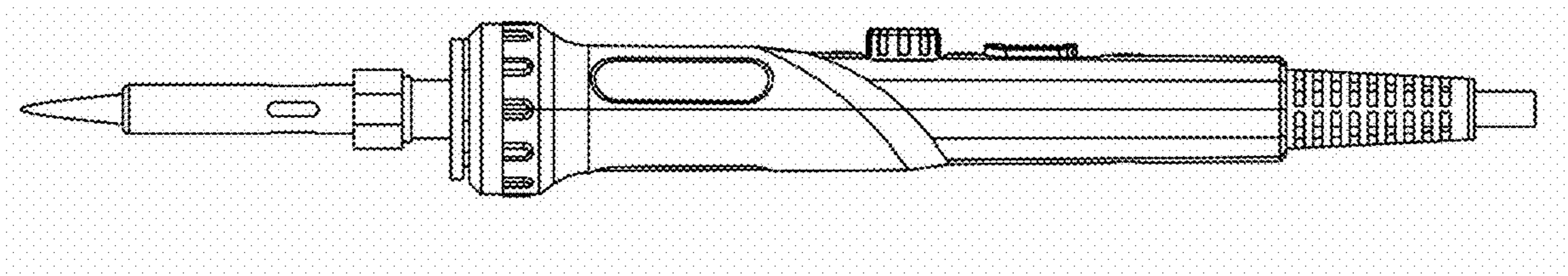


FIG. 4

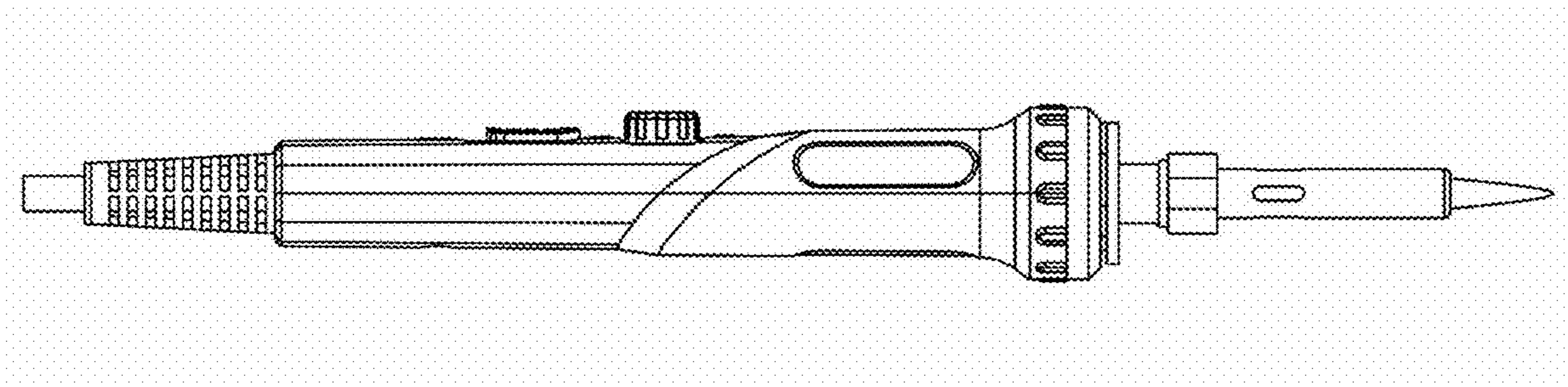


FIG. 5

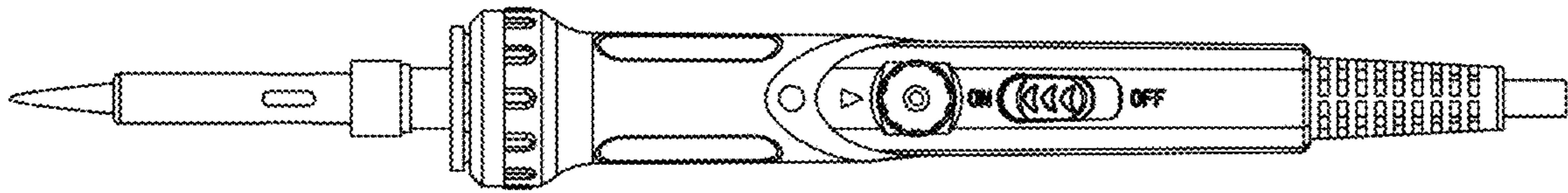


FIG. 6

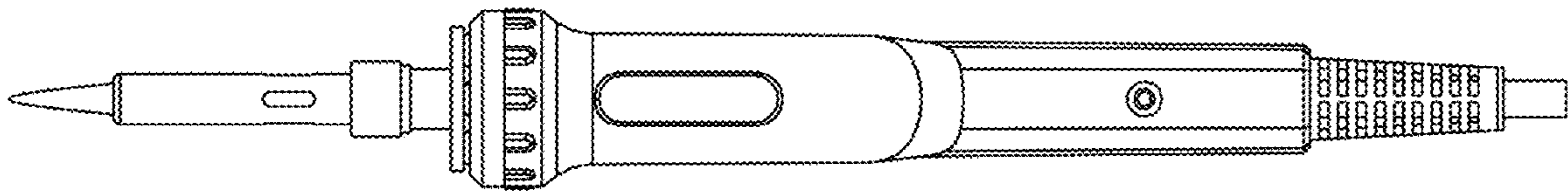


FIG. 7