



US00D937644S

(12) **United States Design Patent**
Yang et al.

(10) **Patent No.:** **US D937,644 S**

(45) **Date of Patent:** **** Dec. 7, 2021**

(54) **HEAT GUN**

(71) Applicant: **Zhejiang Prulde Electric Appliance Co., Ltd., Zhejiang (CN)**

(72) Inventors: **Weiming Yang, Zhejiang (CN); Ting Han, Zhejiang (CN)**

(73) Assignee: **Zhejiang Prulde Electric Appliance Co., Ltd., Zhejiang (CN)**

(**) Term: **15 Years**

(21) Appl. No.: **29/741,021**

(22) Filed: **Jul. 9, 2020**

(30) **Foreign Application Priority Data**

Jan. 9, 2020 (CN) 202030013484.X

(51) **LOC (13) Cl.** **08-05**

(52) **U.S. Cl.**
USPC **D8/29.1**

(58) **Field of Classification Search**
USPC D8/29.1, 29.2, 30, 60, 68, 67; D28/13
CPC A45D 20/08; A45D 20/10; F24H 3/0423;
F24H 3/002
See application file for complete search history.

(56) **References Cited**

U.S. PATENT DOCUMENTS

D388,297 S * 12/1997 Bittenbender D8/29.1
D481,277 S * 10/2003 Waldron D8/29.1

D516,883 S * 3/2006 Popov D8/29.1
D552,443 S * 10/2007 Aglassinger D8/29.1
D565,375 S * 4/2008 Shi D8/68
D639,129 S * 6/2011 Van Wambeke D8/29.1
D641,220 S * 7/2011 Shi D8/29.1
D746,653 S * 1/2016 Furling D8/29.1
D803,649 S * 11/2017 van der Rest D8/68
D846,963 S * 4/2019 van der Rest D8/68
D919,392 S * 5/2021 Moeller D8/29.1
D919,393 S * 5/2021 Yin D8/29.1

* cited by examiner

Primary Examiner — Philip S Hyder

(74) *Attorney, Agent, or Firm* — JCIP Global Inc.

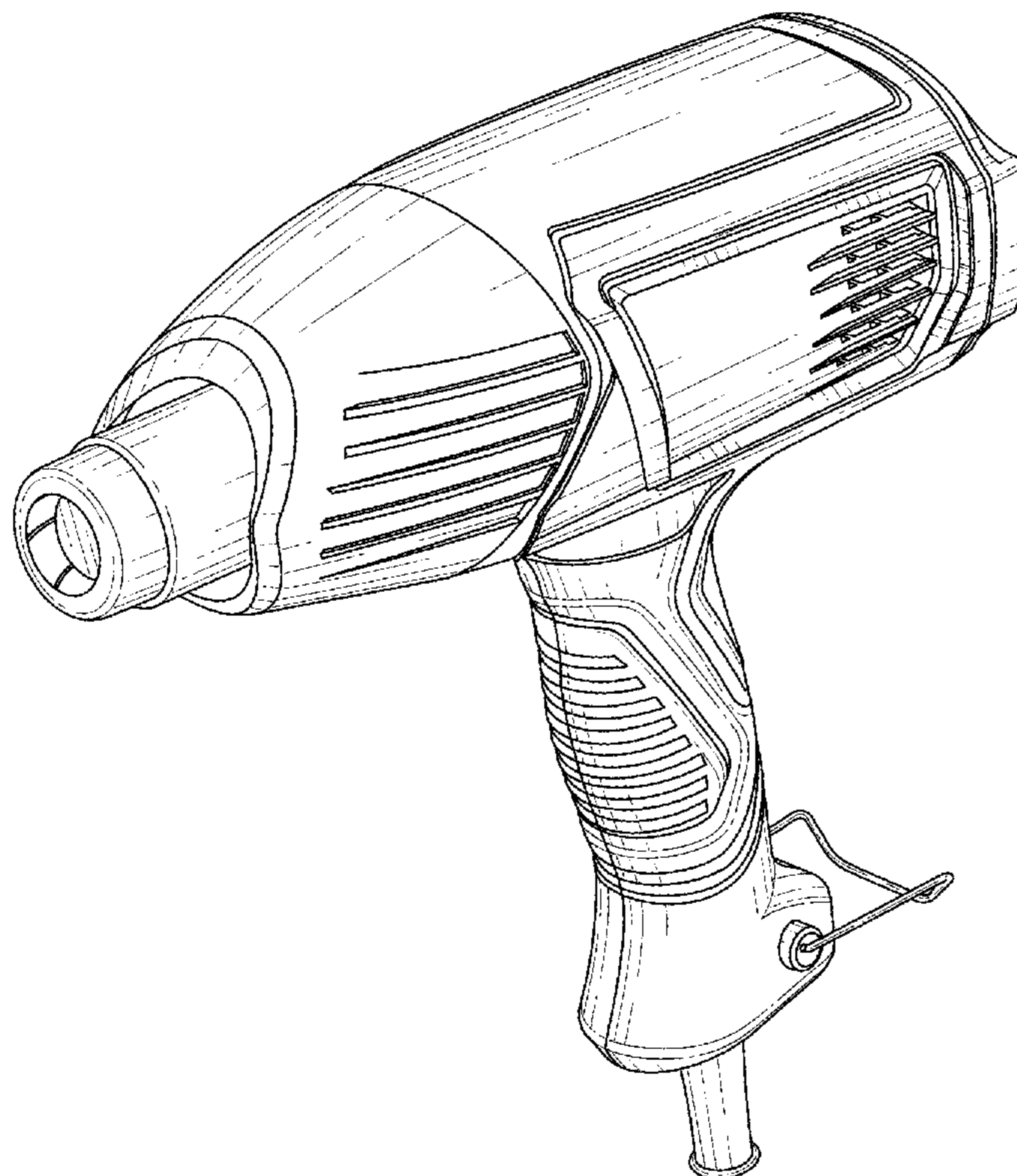
(57) **CLAIM**

The ornamental design for a heat gun, as shown and described.

DESCRIPTION

FIG. 1 is a perspective view of a heat gun showing our new design;
FIG. 2 is another perspective view thereof;
FIG. 3 is a front view thereof;
FIG. 4 is a rear view thereof;
FIG. 5 is a right side view thereof;
FIG. 6 is a left side view thereof;
FIG. 7 is a top view thereof; and,
FIG. 8 is a bottom view thereof.

1 Claim, 8 Drawing Sheets



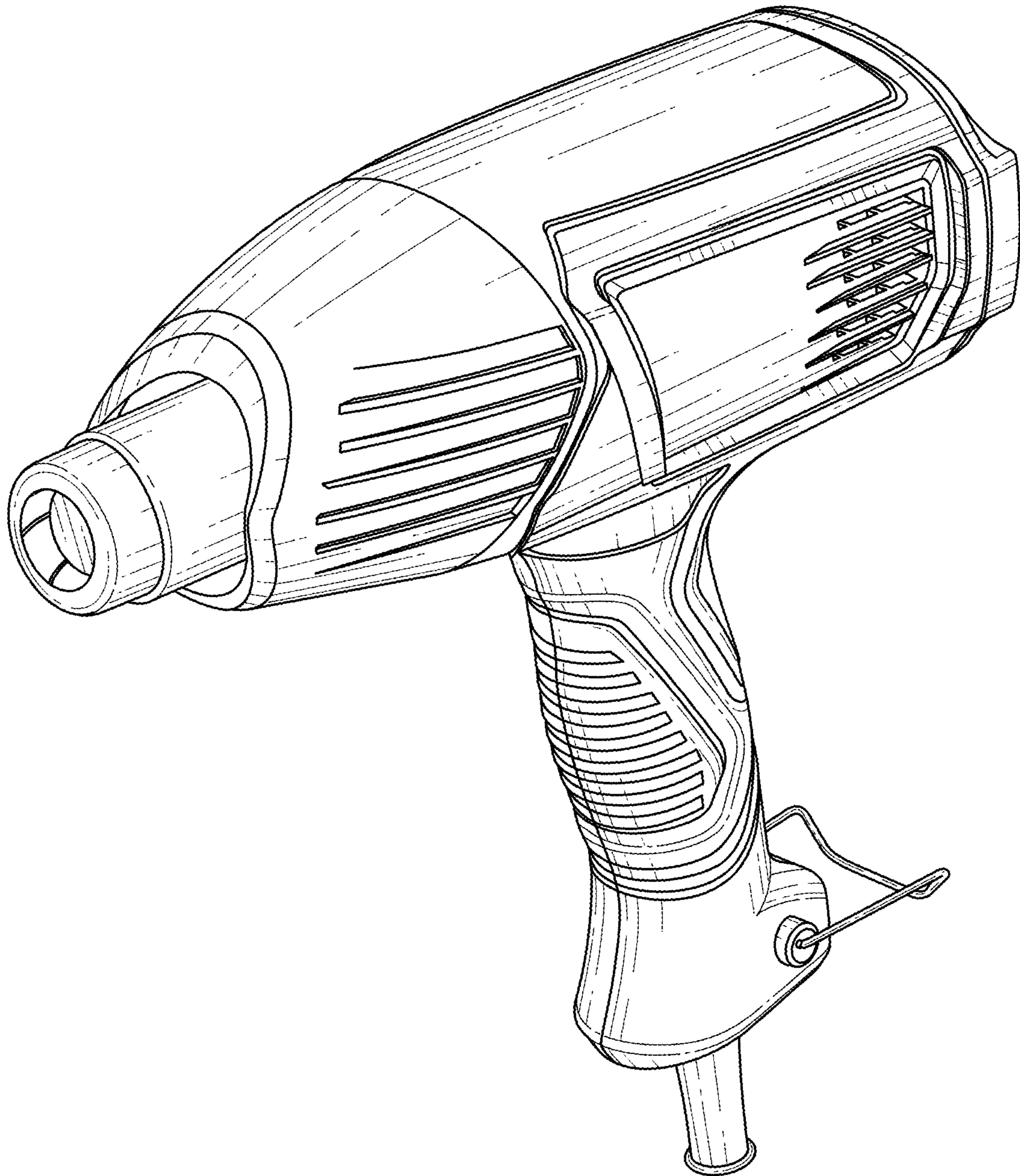


FIG. 1

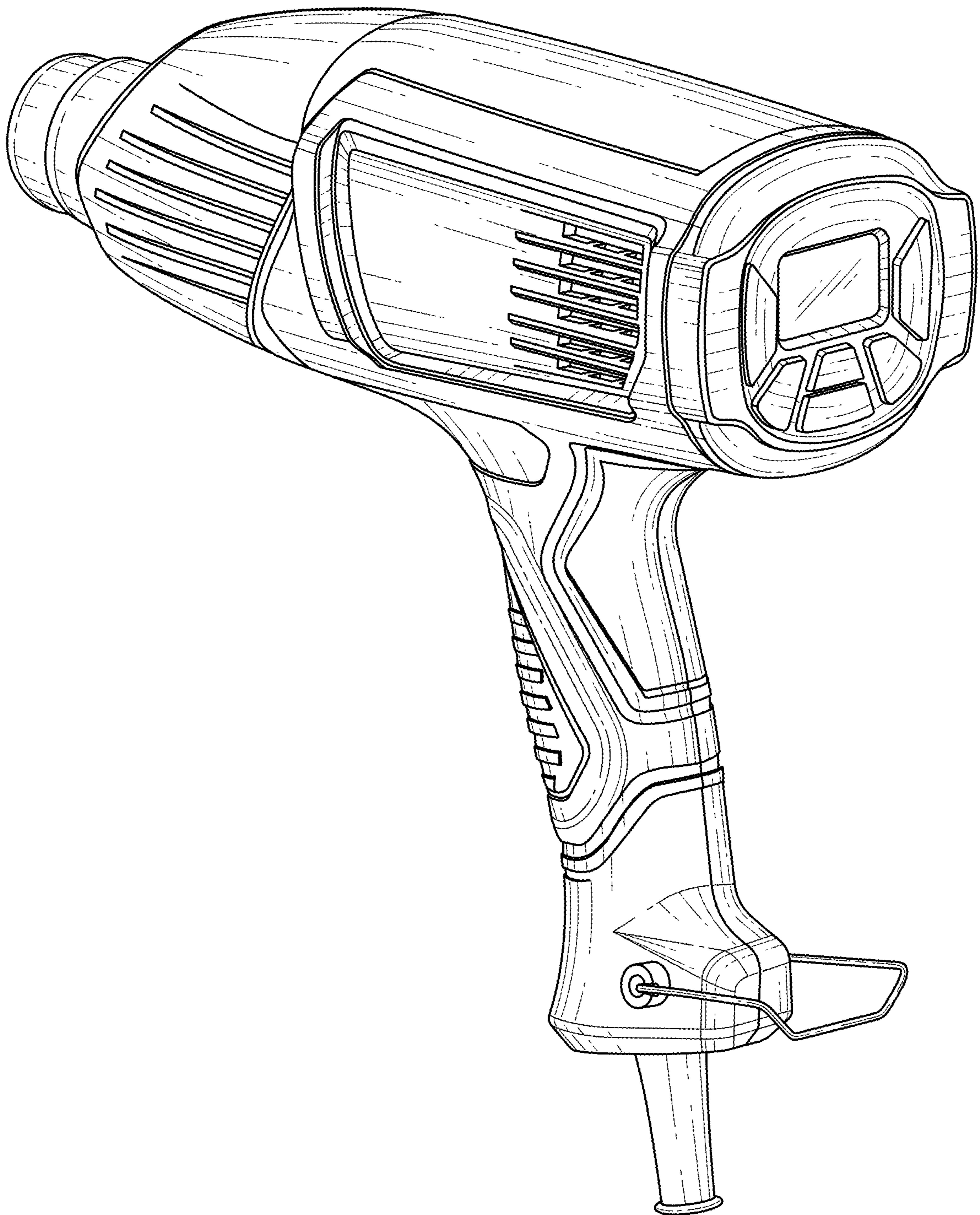


FIG. 2

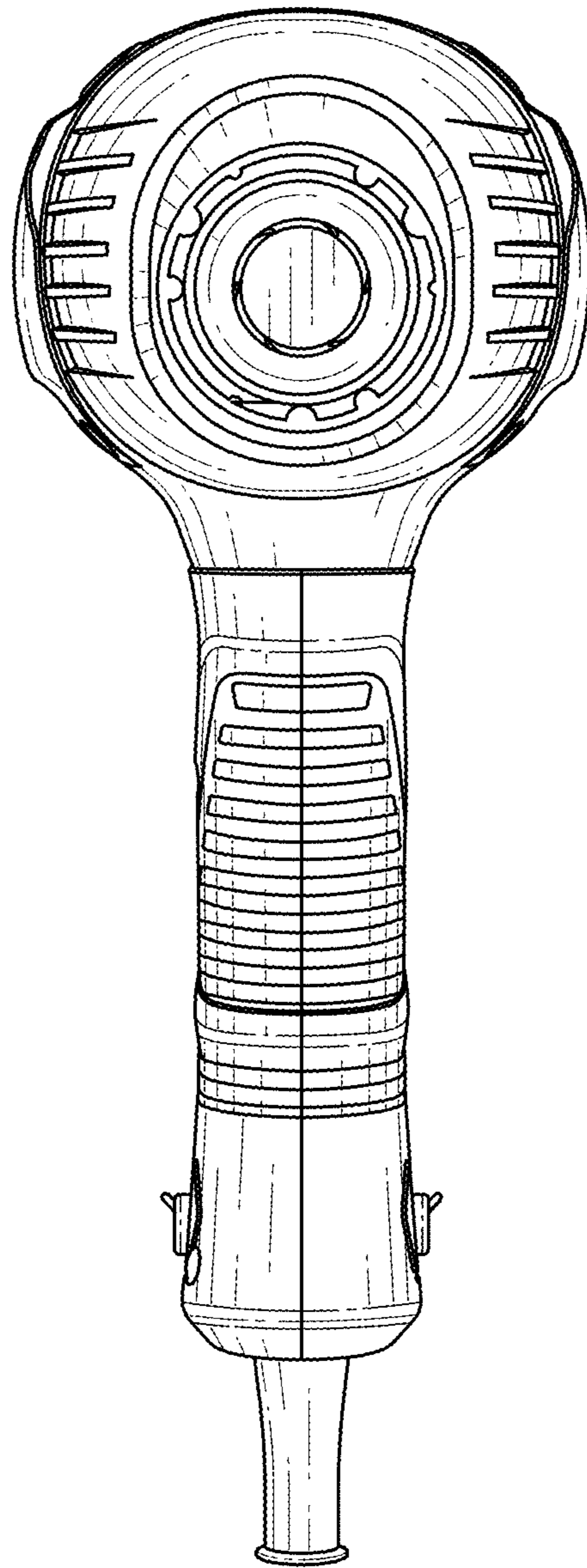


FIG. 3

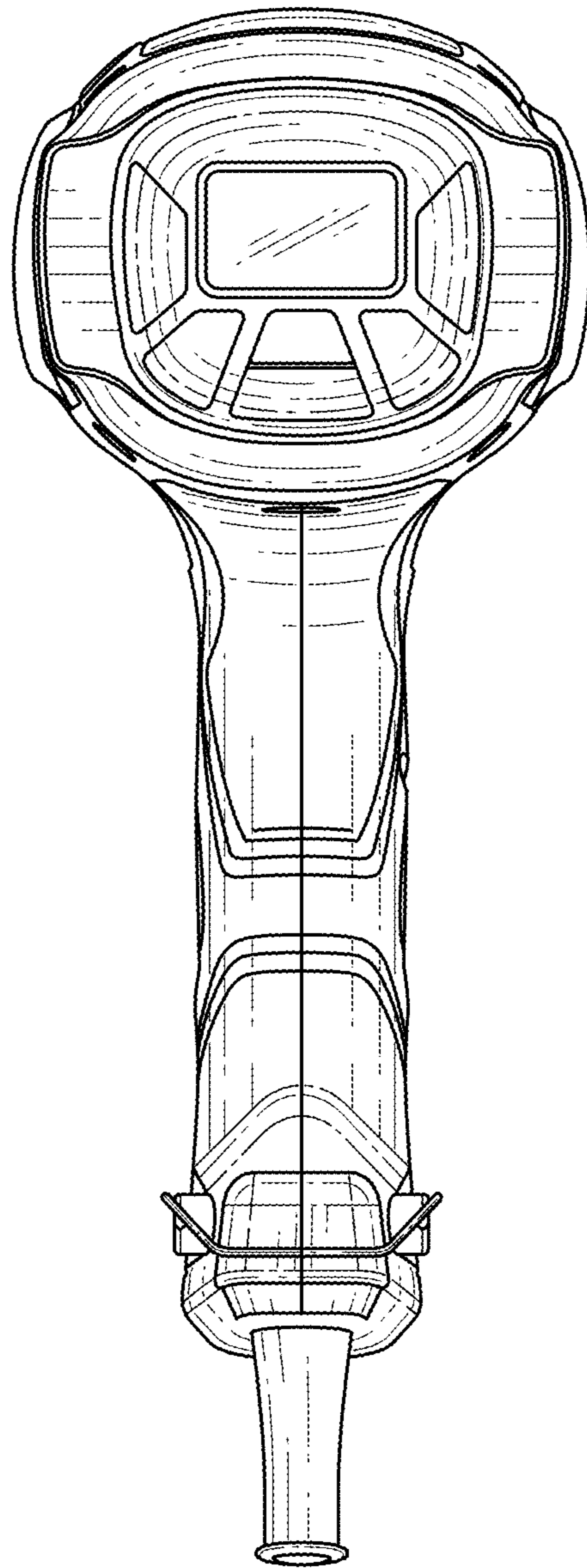


FIG. 4

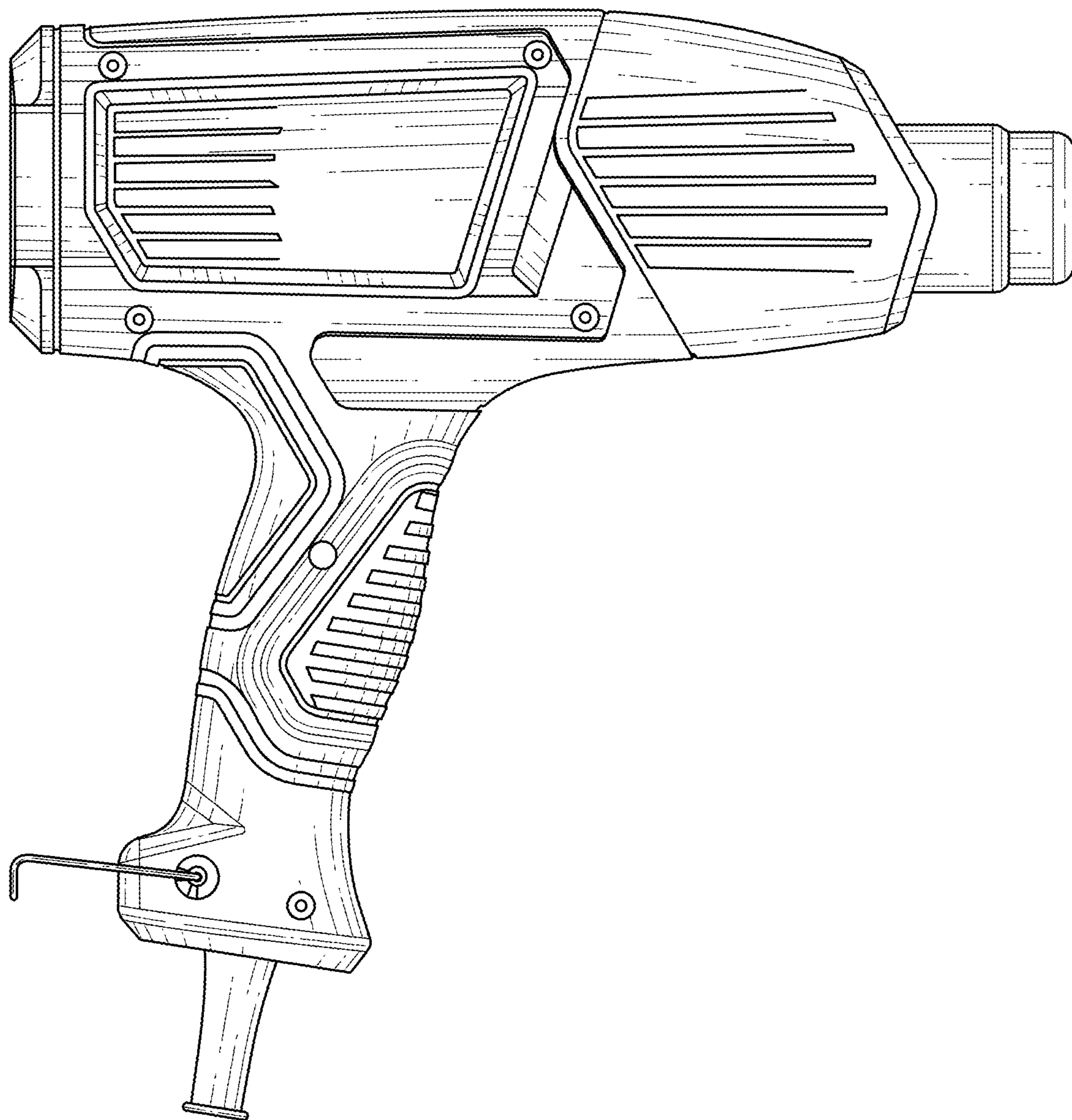


FIG. 5

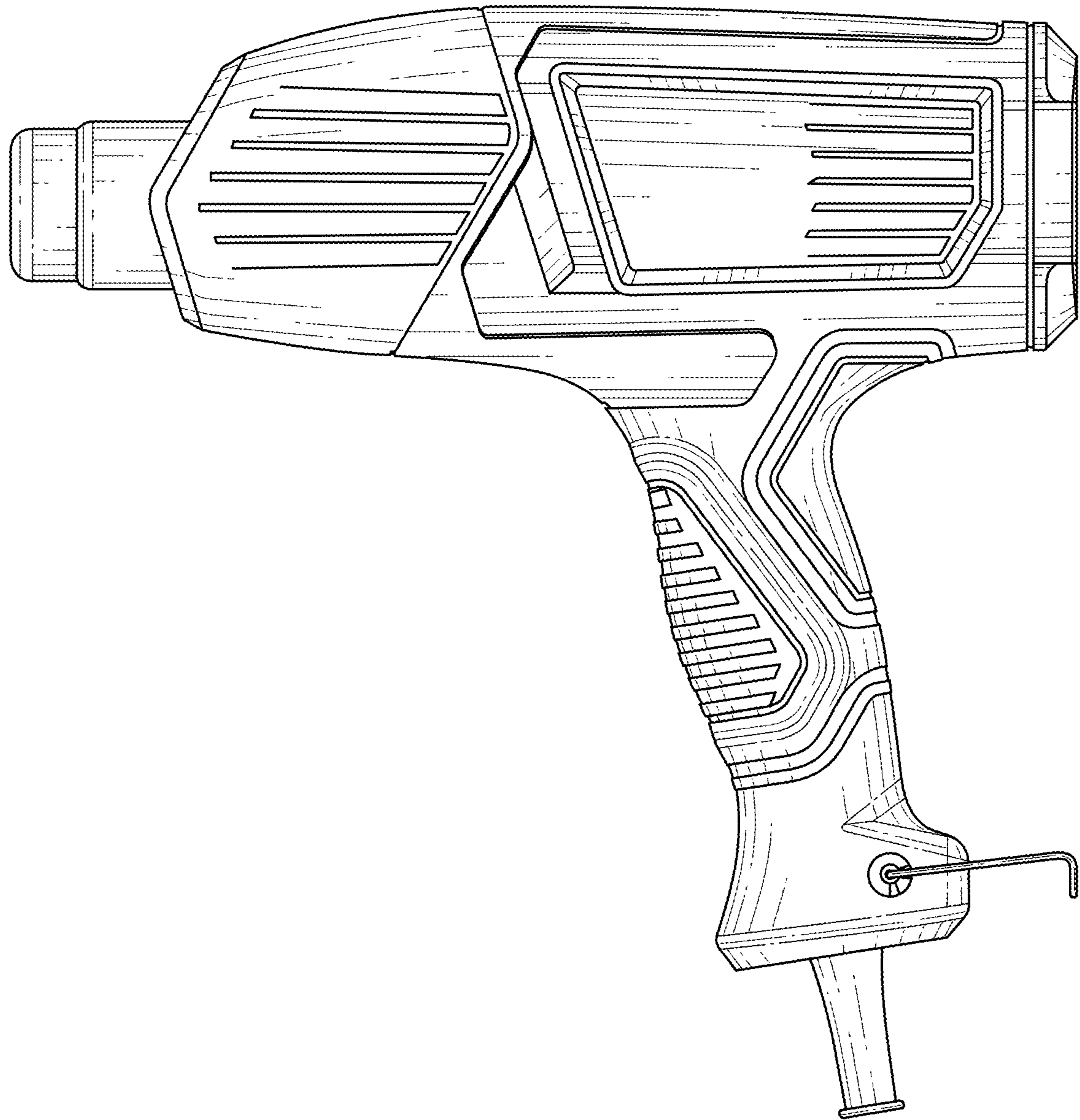


FIG. 6

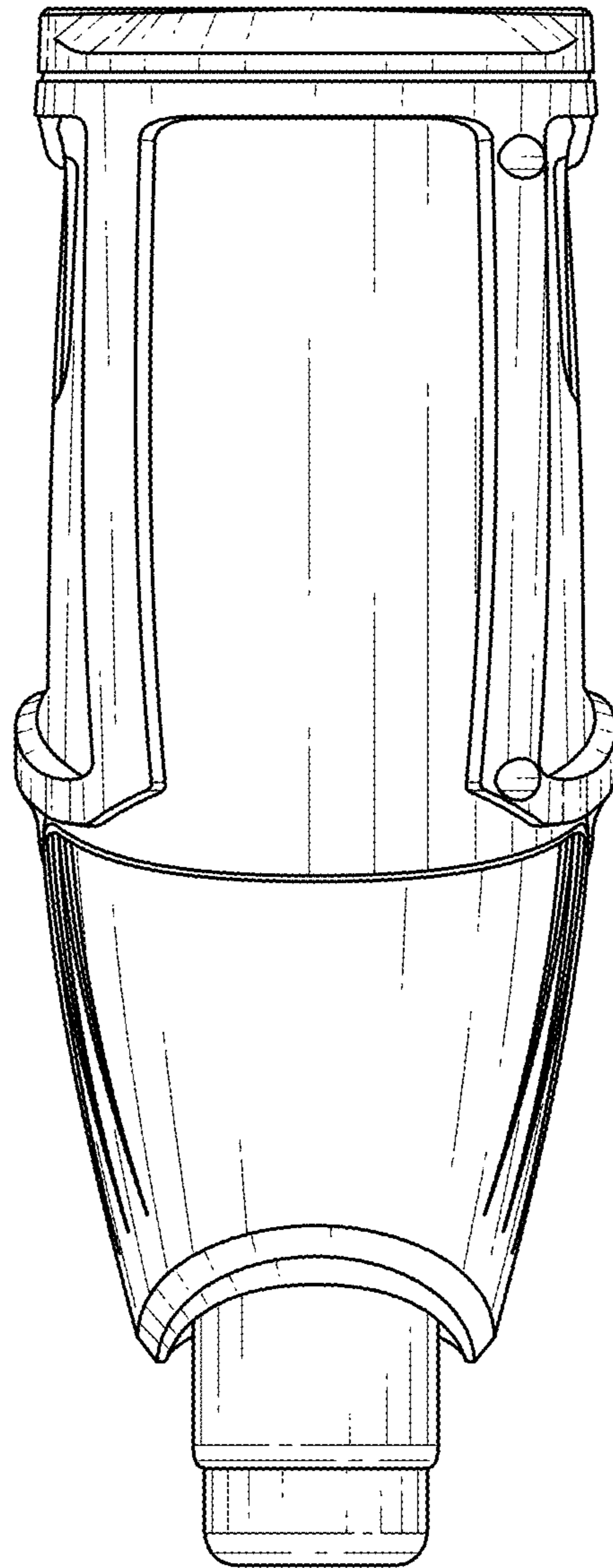


FIG. 7

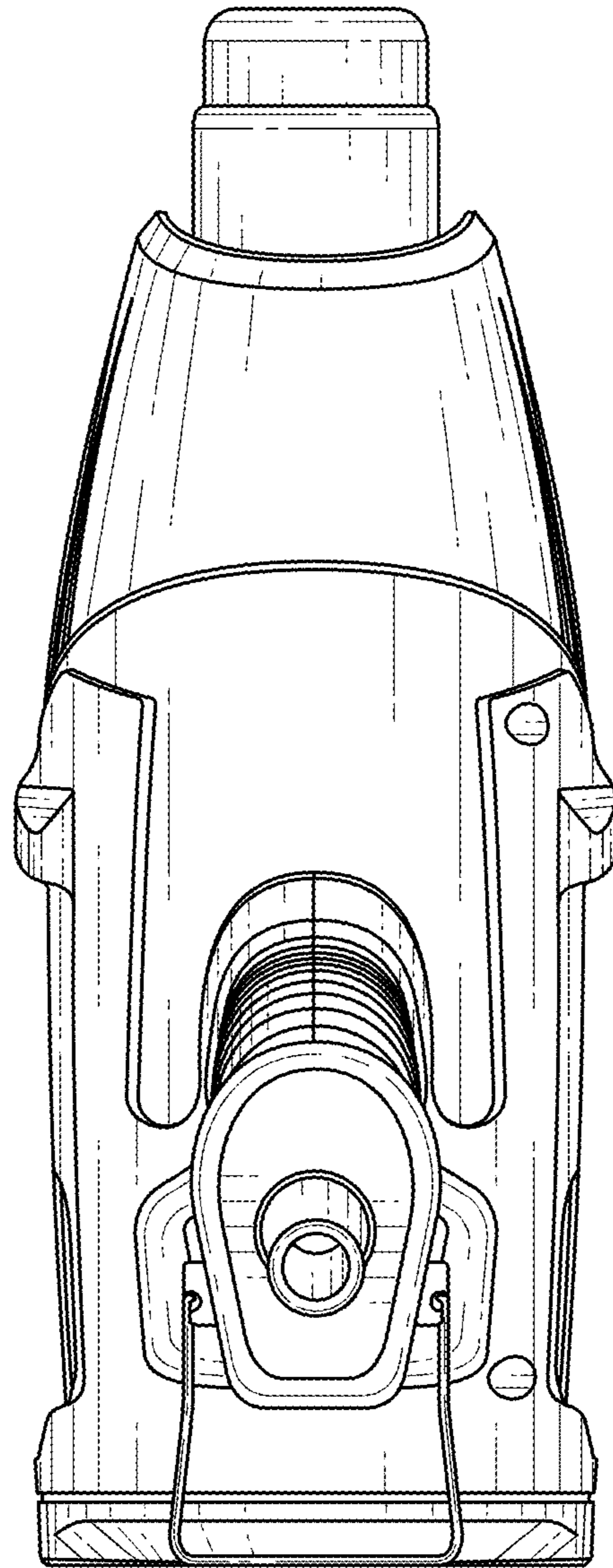


FIG. 8