



US00D937643S

(12) **United States Design Patent** (10) **Patent No.:** **US D937,643 S**
Vogel (45) **Date of Patent:** **** Dec. 7, 2021**

(54) **DISPENSING SYRINGE**
(71) Applicant: **Frank Vogel LLC**, Boulder, CO (US)
(72) Inventor: **Frank Vogel**, Boulder, CO (US)
(**) Term: **15 Years**
(21) Appl. No.: **29/743,528**
(22) Filed: **Jul. 22, 2020**
(51) **LOC (13) Cl.** **08-05**
(52) **U.S. Cl.**
USPC **D8/14.1; D8/70**
(58) **Field of Classification Search**
USPC D8/14, 14.1, 70, 51, 387
CPC B25B 27/023; Y10T 29/53861; Y10T
29/53878; B05C 17/0103; B05C
17/00553; B05C 17/133
See application file for complete search history.

8,745,832 B2 * 6/2014 Barrios B25B 27/023
29/245
2002/0113088 A1 * 8/2002 Pierson B65D 83/0011
222/137
2010/0224034 A1 * 9/2010 Fitzpatrick B25B 27/023
81/57.42
2012/0118917 A1 * 5/2012 Naughton G01F 11/029
222/333
2012/0148980 A1 * 6/2012 Gramann A61C 5/64
433/90
2016/0236336 A1 * 8/2016 Huang B25B 27/023
2018/0009595 A1 * 1/2018 Witcher B65D 83/0066
2018/0264509 A1 * 9/2018 Pauser A61C 5/62
2019/0314856 A1 * 10/2019 Ho B05C 17/012

* cited by examiner

Primary Examiner — Philip S Hyder
(74) *Attorney, Agent, or Firm* — MP Patents, LLC

(57) **CLAIM**

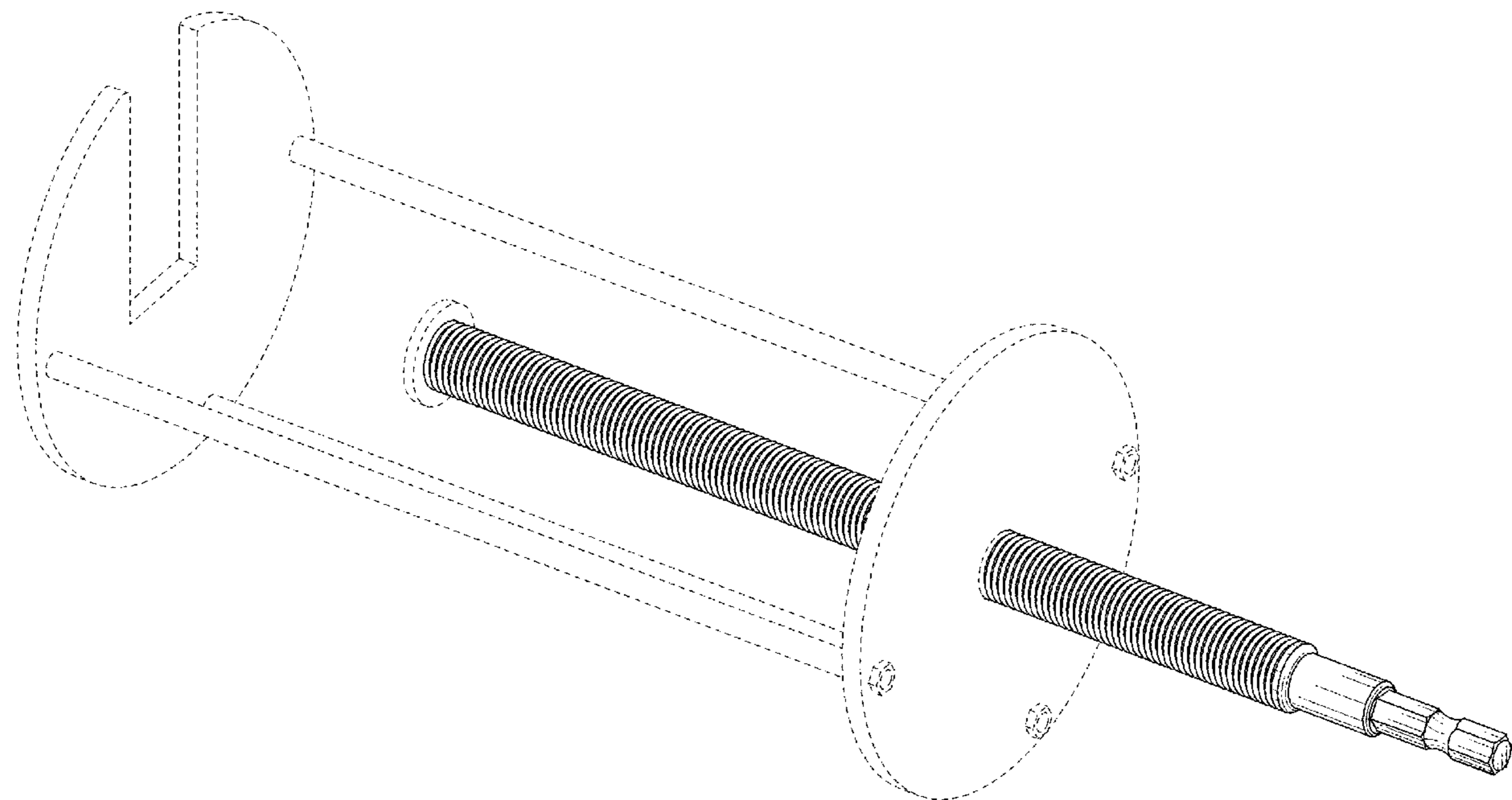
The ornamental design for a dispensing syringe, as shown and described.

DESCRIPTION

FIG. 1 is a perspective view of the dispensing syringe.
FIG. 2 is a rear view thereof.
FIG. 3 is a front view thereof.
FIG. 4 is a right-side view thereof.
FIG. 5 is a left-side view thereof.
FIG. 6 is a top view thereof.
FIG. 7 is a bottom view thereof; and,
FIG. 8 is a perspective view of the dispensing syringe in use with a driver.
The broken lines shown in the Figures represent unclaimed subject matter and form no part of the claimed design.

1 Claim, 5 Drawing Sheets

(56) **References Cited**
U.S. PATENT DOCUMENTS
D256,544 S * 8/1980 Hintze 29/256
4,485,944 A * 12/1984 Eichholz B05C 17/0133
222/390
4,562,631 A * 1/1986 Welch B25B 27/023
29/259
5,058,781 A 10/1991 Aronie et al.
5,104,005 A 4/1992 Schneider, Jr. et al.
5,341,958 A 8/1994 Bayat et al.
D378,343 S * 3/1997 Macor D8/73
6,684,472 B2 * 2/2004 Abdelmoula B25B 27/023
29/259
D544,771 S * 6/2007 Duffy D8/51
7,572,263 B2 * 8/2009 Preissman A61B 17/8833
606/94



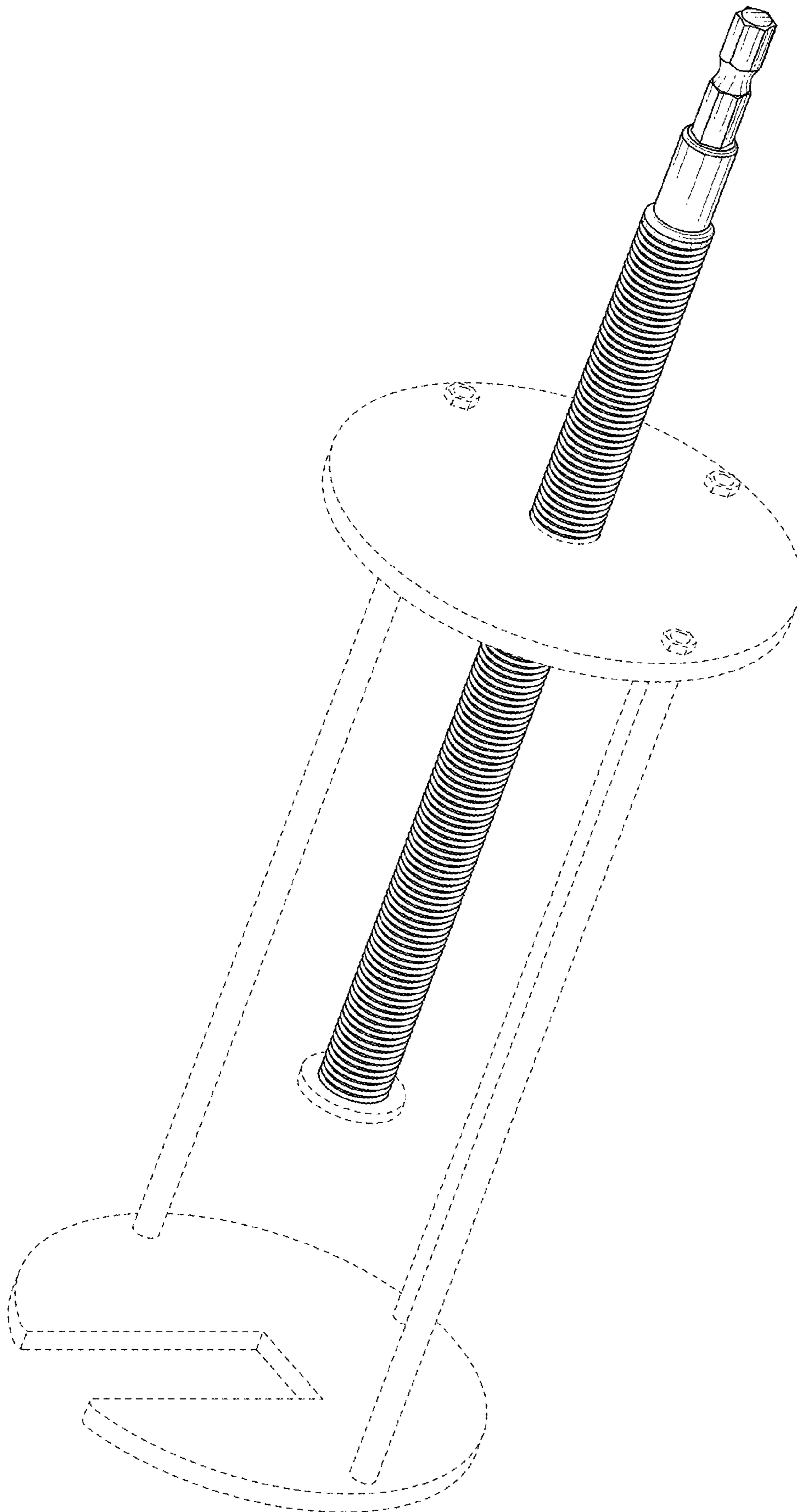


FIG. 1

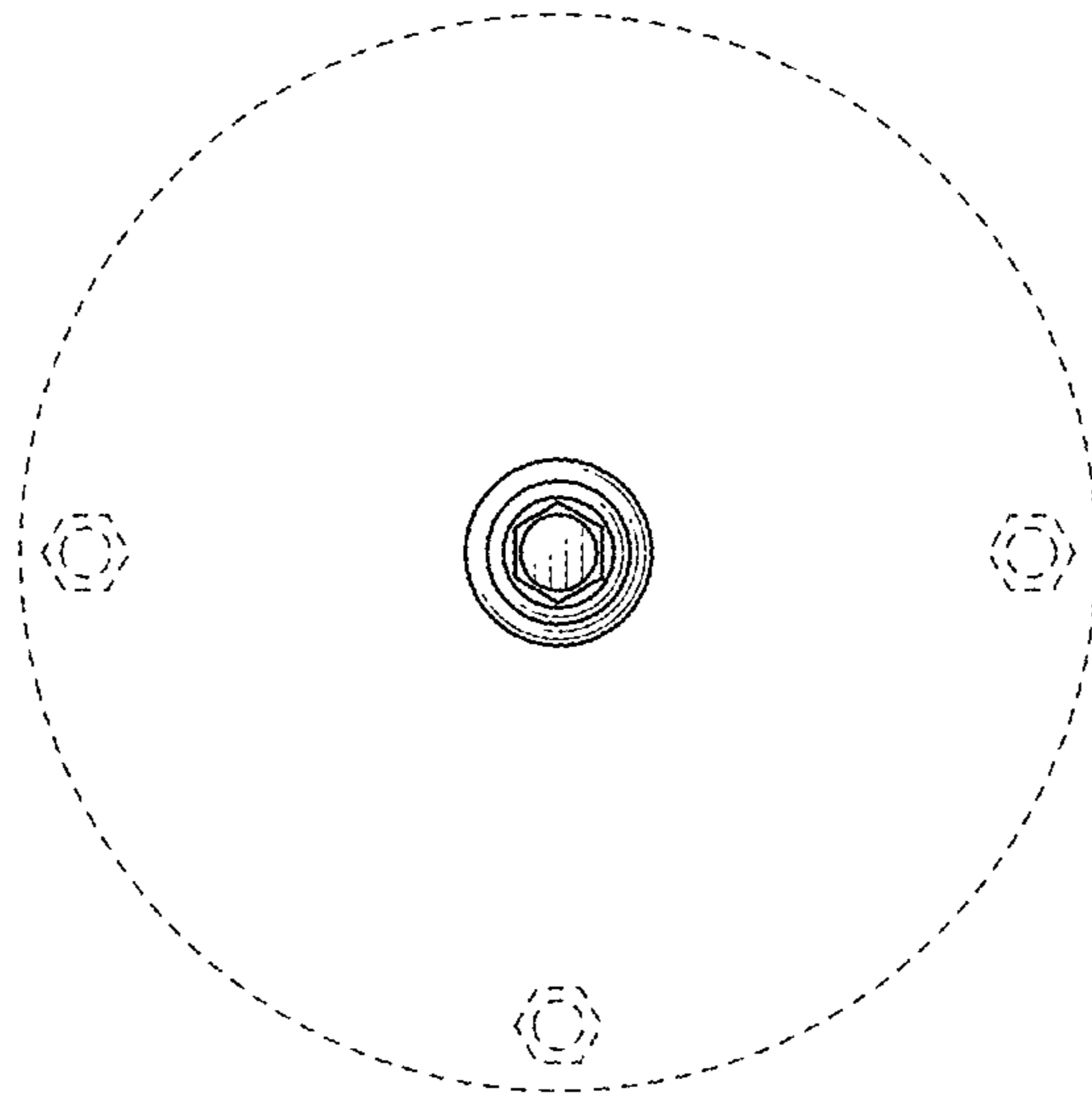


FIG. 2

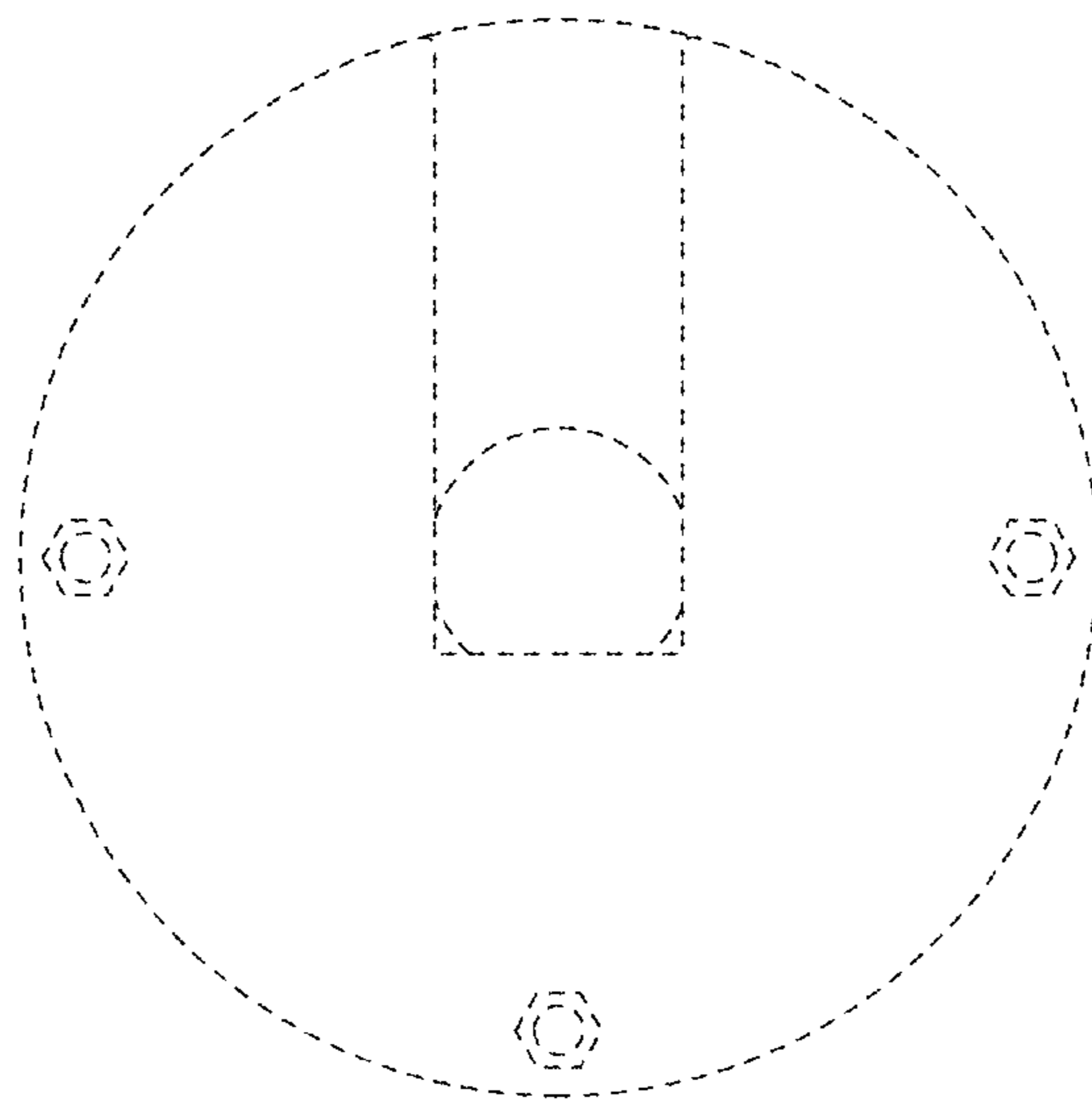


FIG. 3

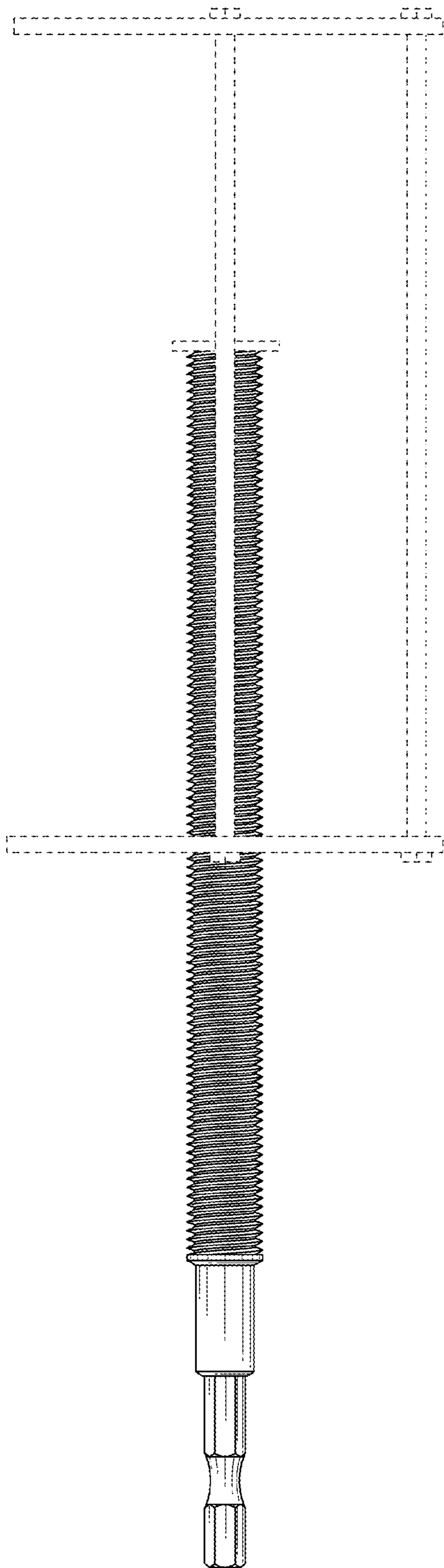


FIG. 4

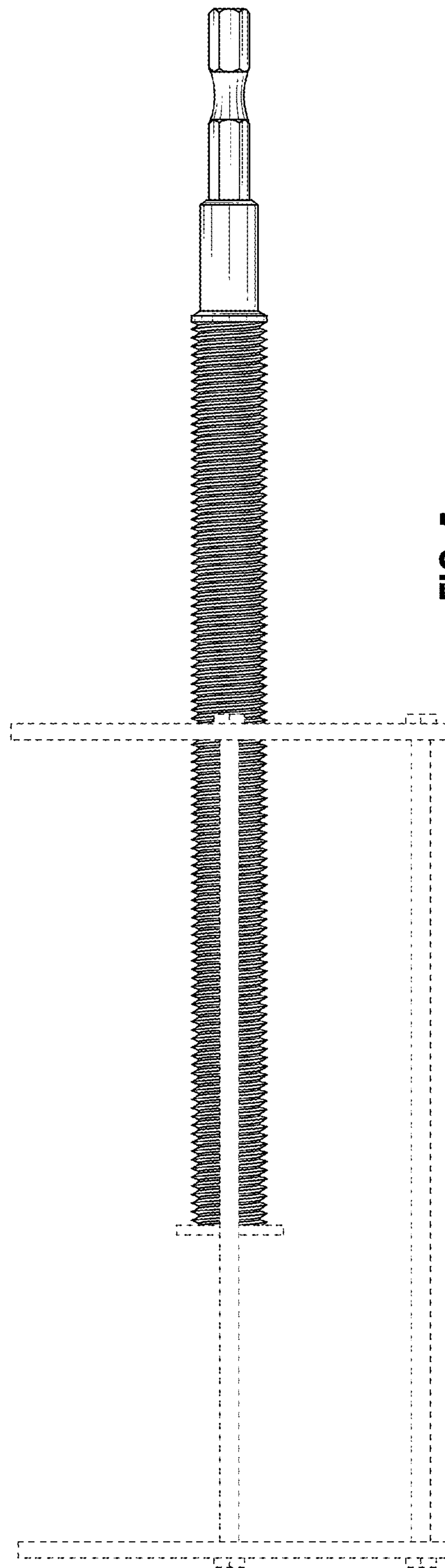


FIG. 5

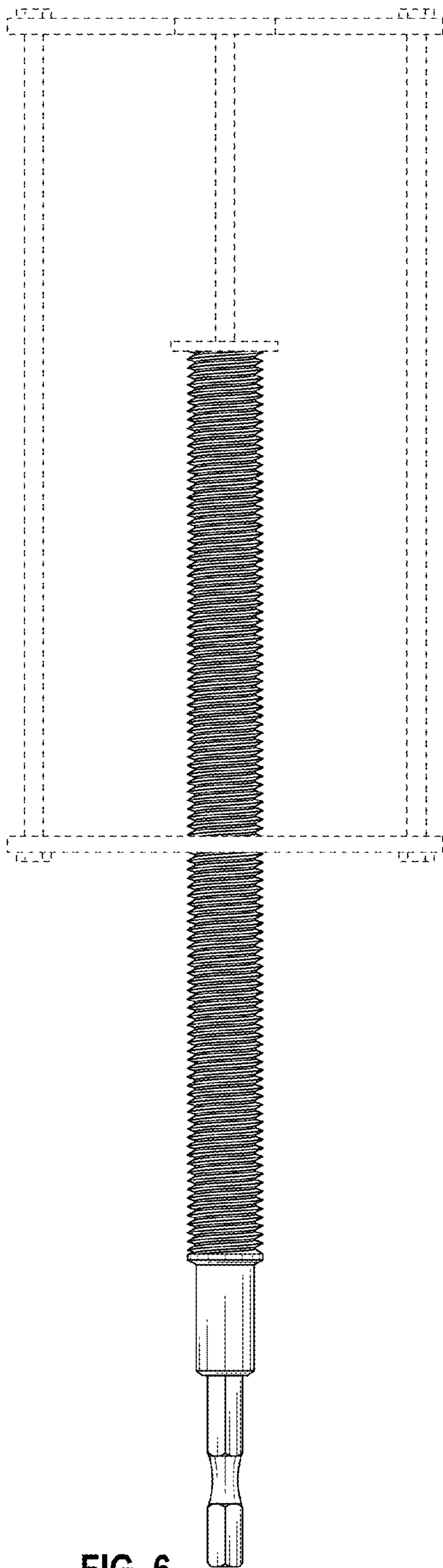


FIG. 6

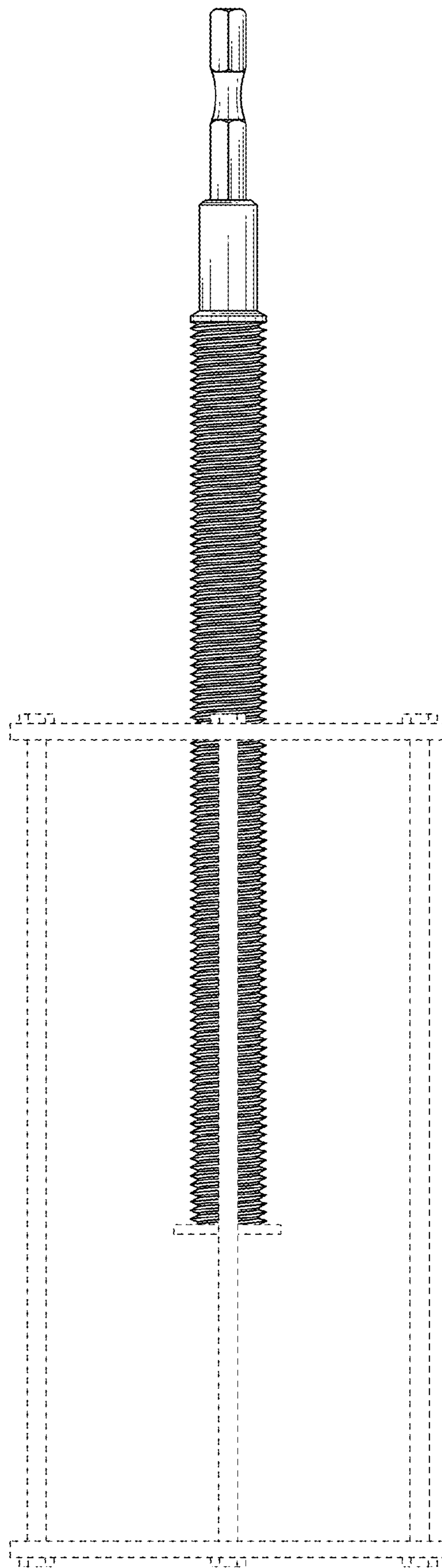


FIG. 7

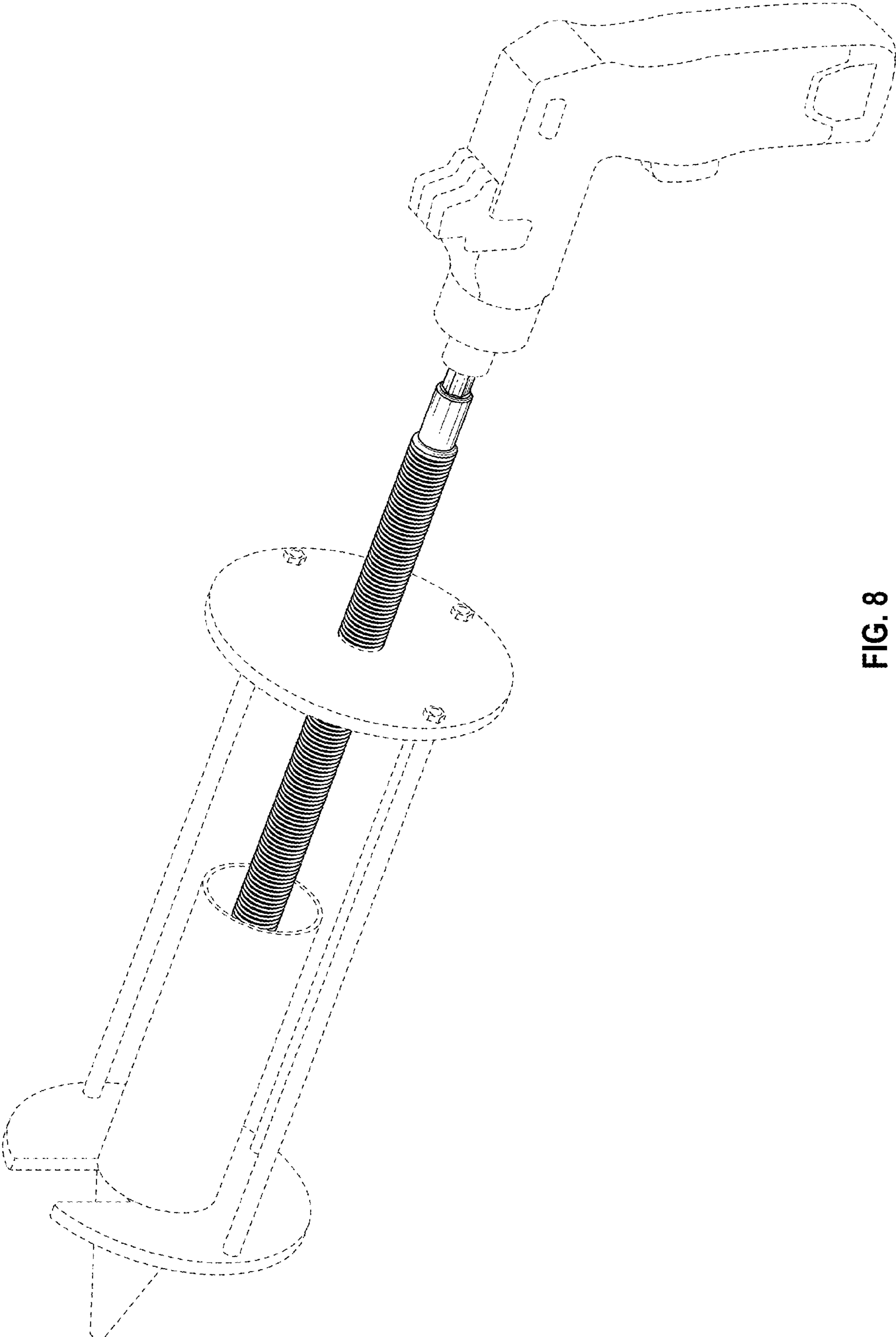


FIG. 8