



US00D937642S

(12) **United States Design Patent** (10) **Patent No.:** **US D937,642 S**  
**Guo** (45) **Date of Patent:** **\*\* Dec. 7, 2021**

(54) **CORN SHELLER** 2008/0264437 A1\* 10/2008 Naden ..... A01F 11/06  
132/73.5  
(71) Applicant: **Shenzhen Niunisi Technology Co.,** 2012/0017779 A1\* 1/2012 Abfall ..... A47J 25/00  
**Ltd., Shenzhen (CN)** 99/538  
2013/0047438 A1\* 2/2013 Yu ..... A47J 17/02  
30/121.5  
(72) Inventor: **Mianchao Guo, Jieyang (CN)**

(\*\*) Term: **15 Years**

(21) Appl. No.: **29/771,920**

(22) Filed: **Feb. 25, 2021**

(51) **LOC (13) Cl.** ..... **07-04**

(52) **U.S. Cl.**  
USPC ..... **D7/693**

(58) **Field of Classification Search**  
USPC ..... D7/368, 669, 680-696, 379, 372-374  
CPC .. A47J 25/00; A47J 17/02; A47J 17/00; A47J  
43/28; A47J 43/00; A01F 5/00; A01F  
11/06

See application file for complete search history.

(56) **References Cited**

**U.S. PATENT DOCUMENTS**

2,326,873 A \* 8/1943 Meek ..... A01F 11/06  
99/567  
2,447,301 A \* 8/1948 Wright ..... A47J 43/28  
30/283  
3,077,909 A \* 2/1963 Trenor ..... A01F 11/06  
30/121.5  
4,550,656 A \* 11/1985 Kirk ..... A47J 17/02  
30/123.6  
4,885,842 A \* 12/1989 Marley ..... A47J 17/02  
30/121.5  
D624,792 S 10/2010 Ghassemian et al.

**OTHER PUBLICATIONS**

Amazon.com, Newness Corn Stripper, Peeler, Corn Cutte with Cup, pp. 1-6, ASIN: B08XMD2GSY, date first available Feb. 26, 2021 (Year: 2021).\*

\* cited by examiner

*Primary Examiner* — Terry A Wallace

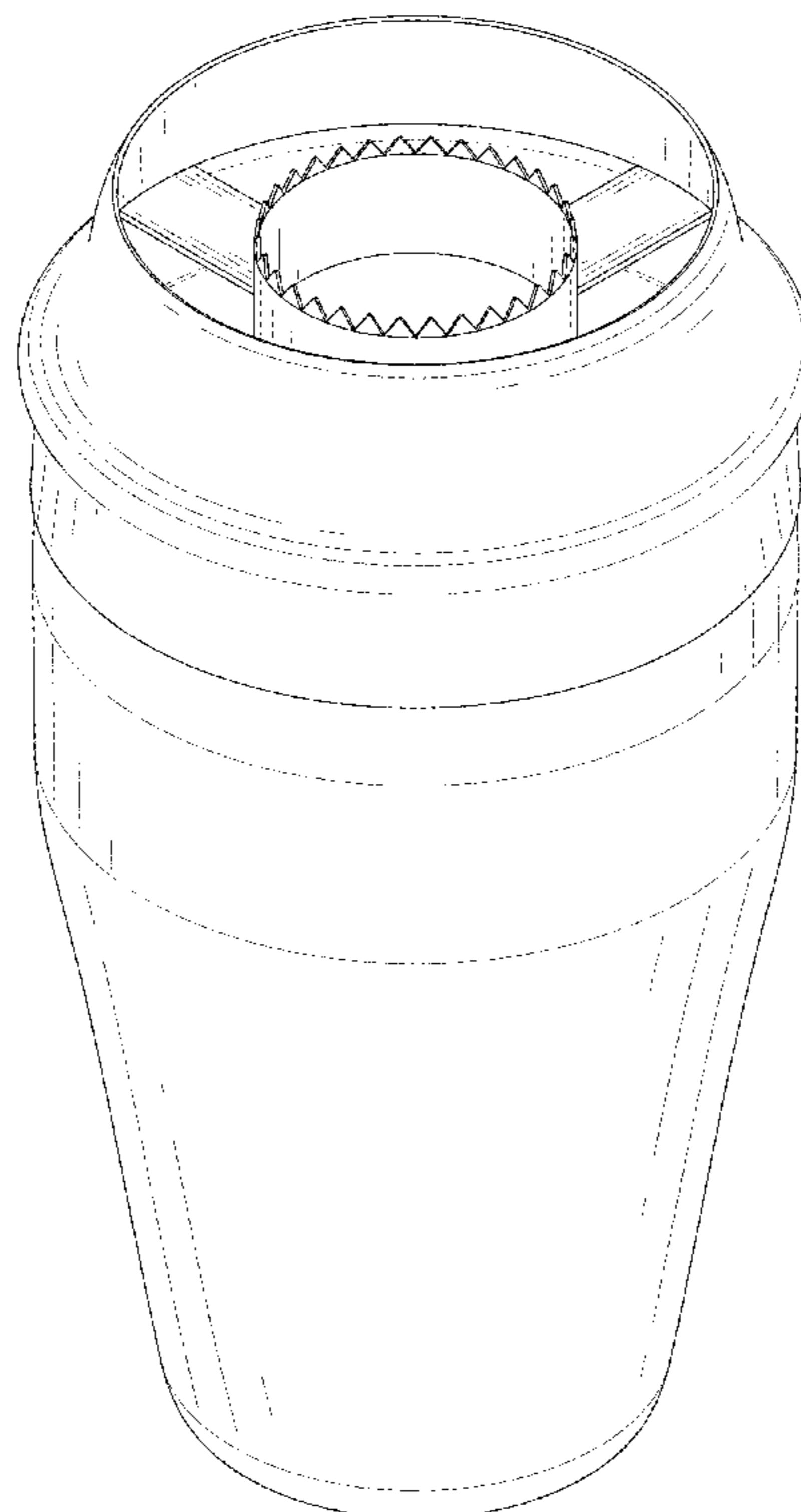
(57) **CLAIM**

The ornamental design for a corn sheller, as shown and described.

**DESCRIPTION**

FIG. 1 is a front and top perspective view of a corn sheller, showing my new design;  
FIG. 2 is a rear and bottom perspective view thereof;  
FIG. 3 is a front elevation view thereof;  
FIG. 4 is a rear elevation view thereof;  
FIG. 5 is a left side elevation view thereof;  
FIG. 6 is a right side elevation view thereof;  
FIG. 7 is a top plan view thereof; and,  
FIG. 8 is a bottom plan view thereof.  
The dashed broken lines in the figures illustrate portions of the corn sheller that form no part of the claimed design.

**1 Claim, 8 Drawing Sheets**



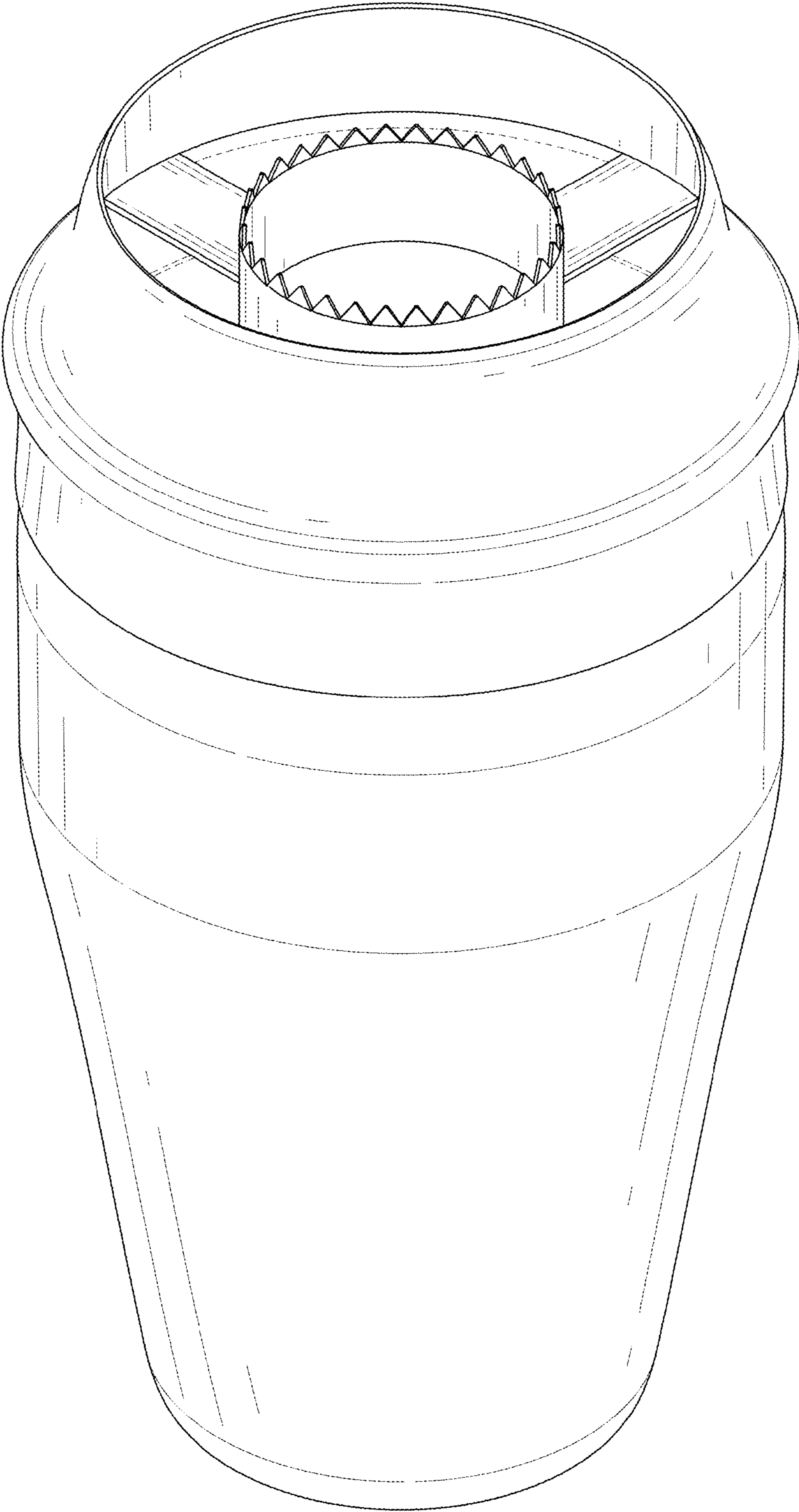


FIG. 1

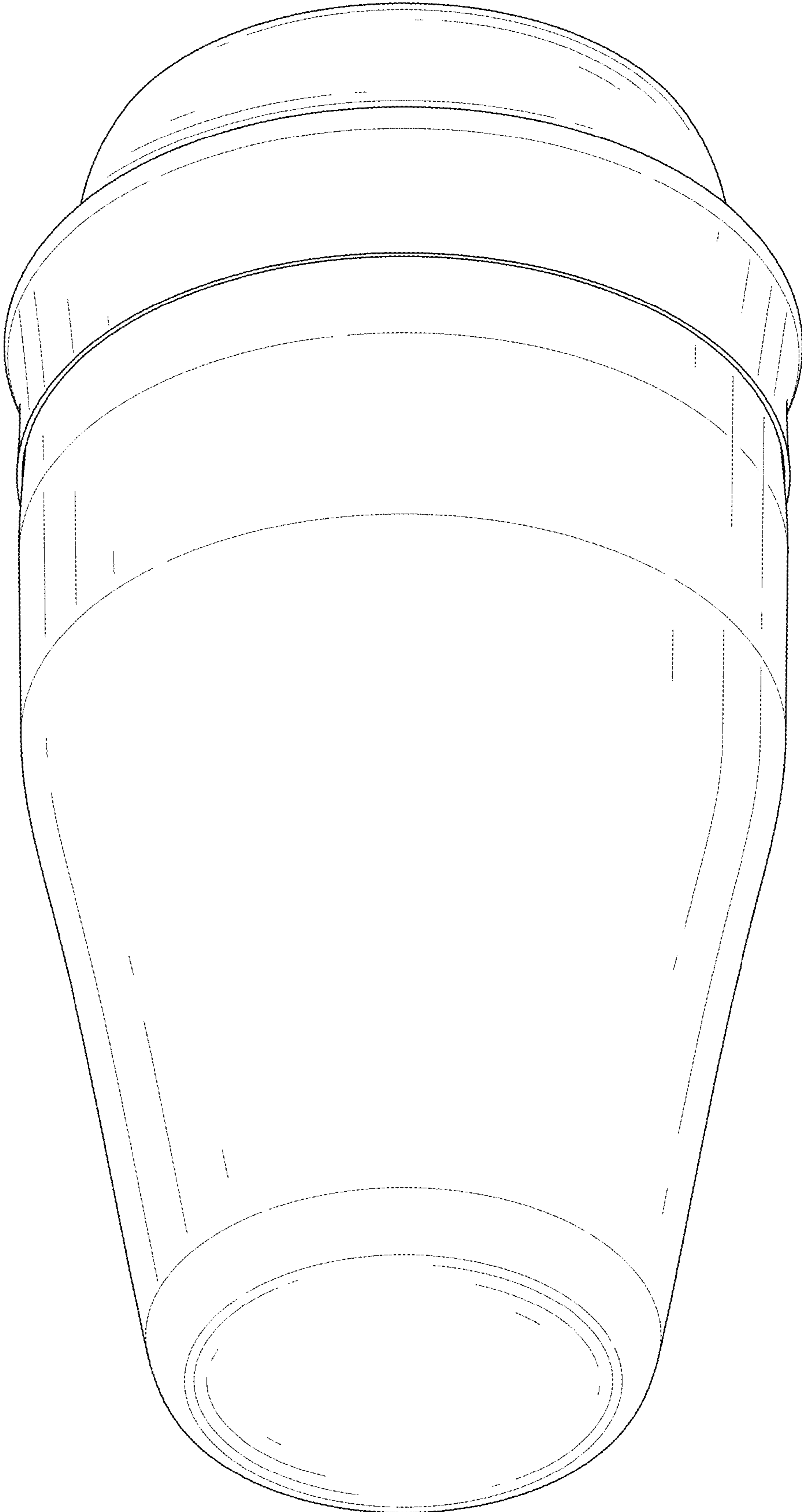


FIG. 2

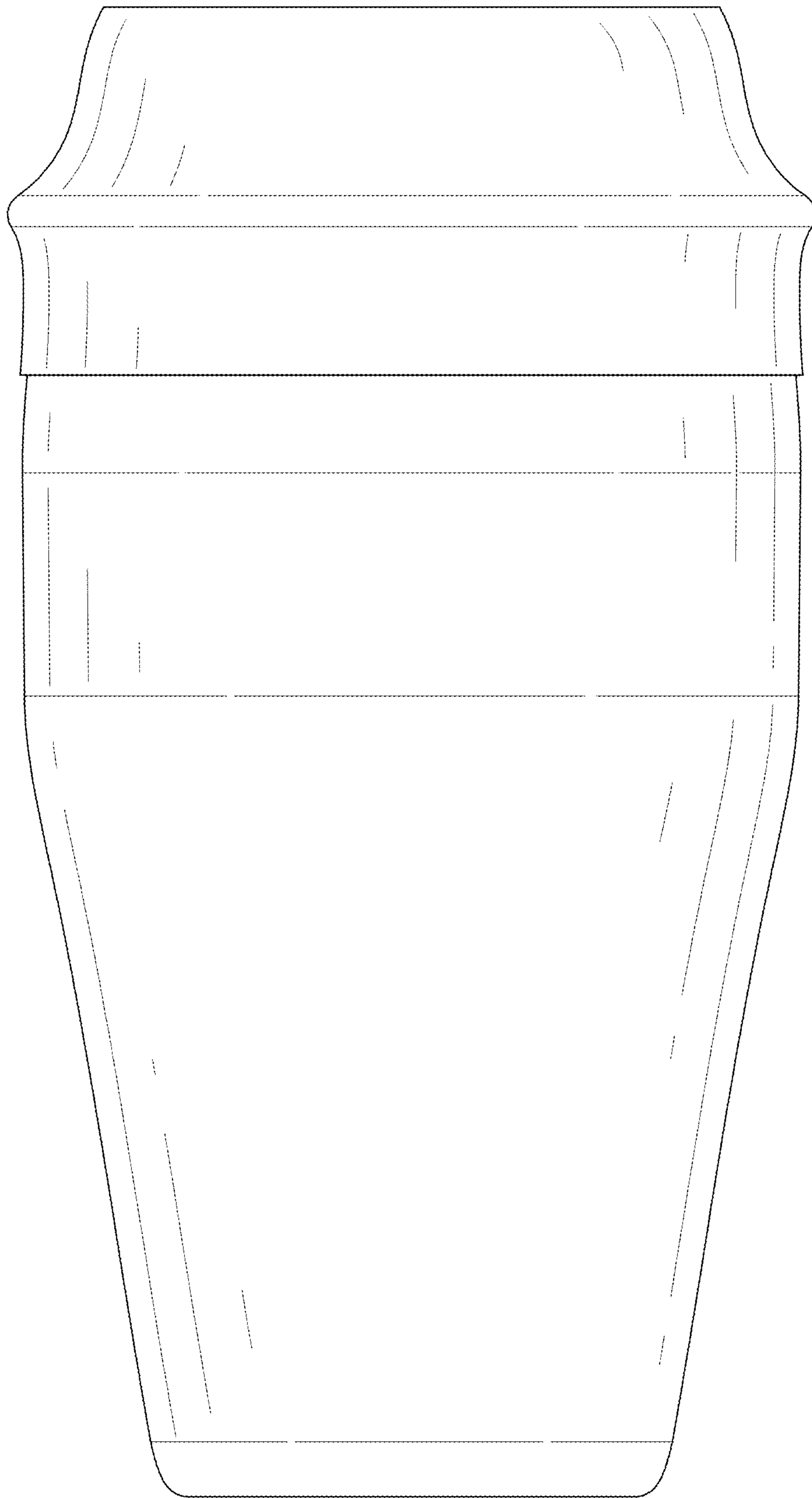


FIG. 3

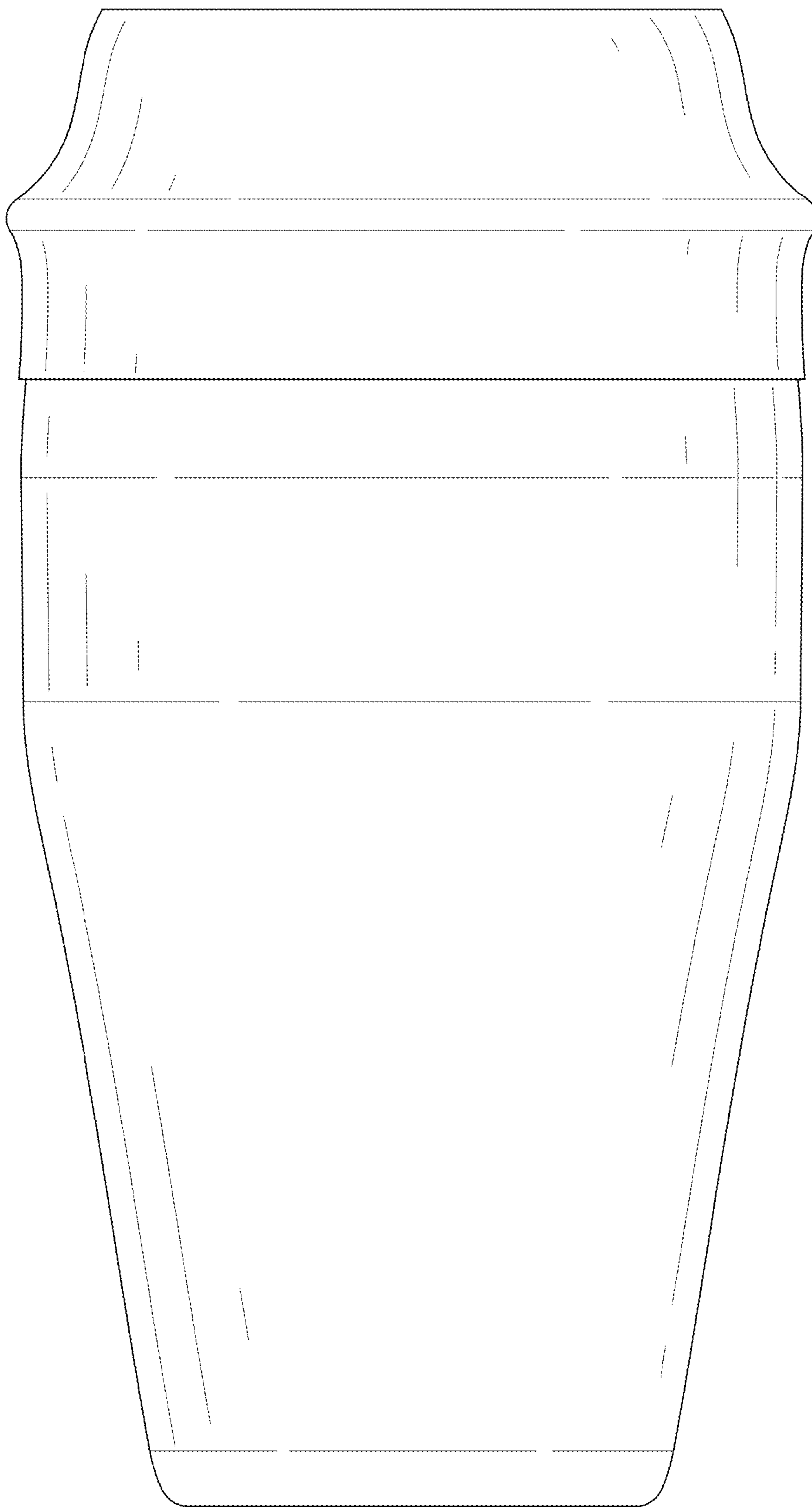


FIG. 4

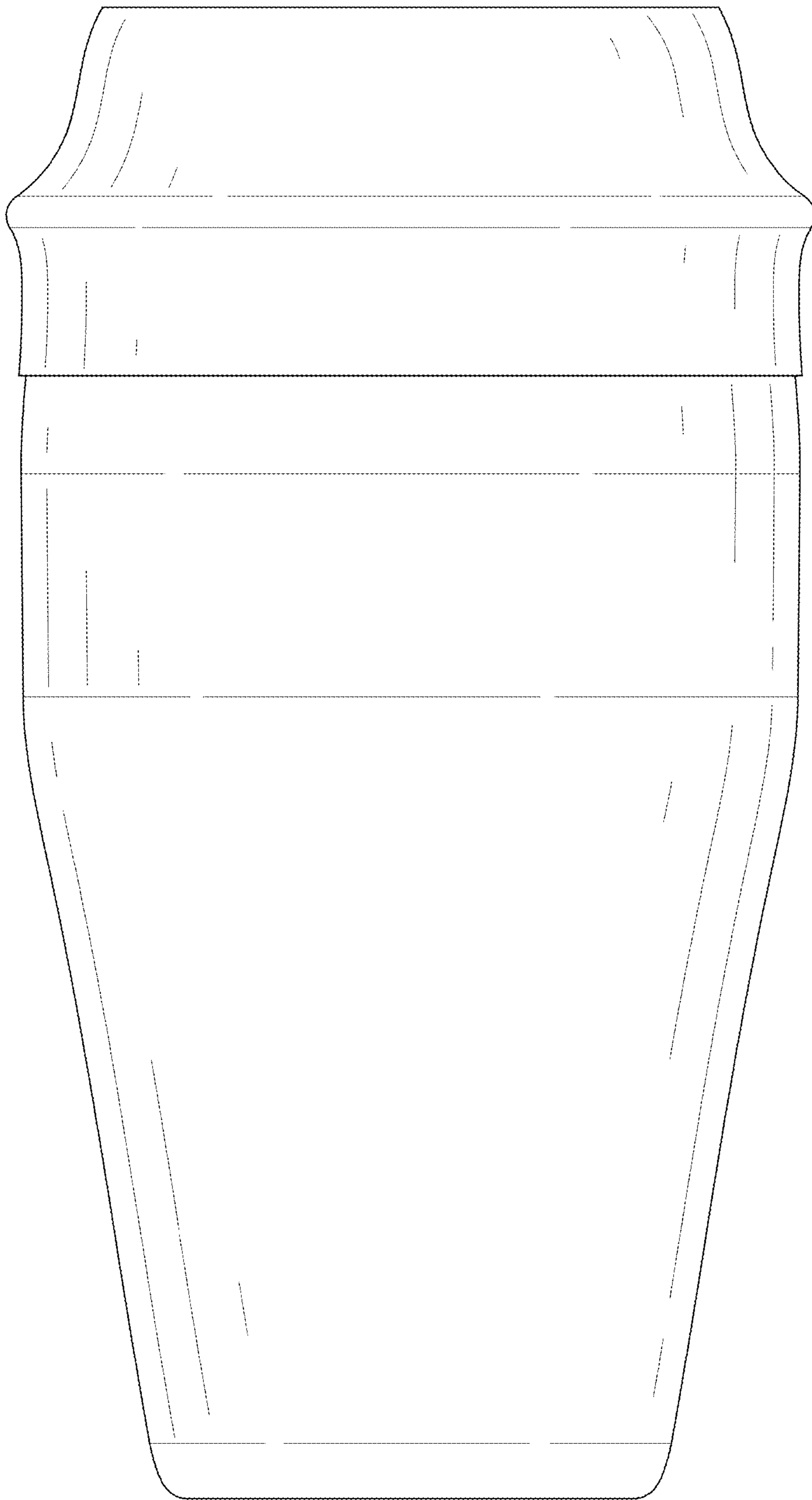


FIG. 5

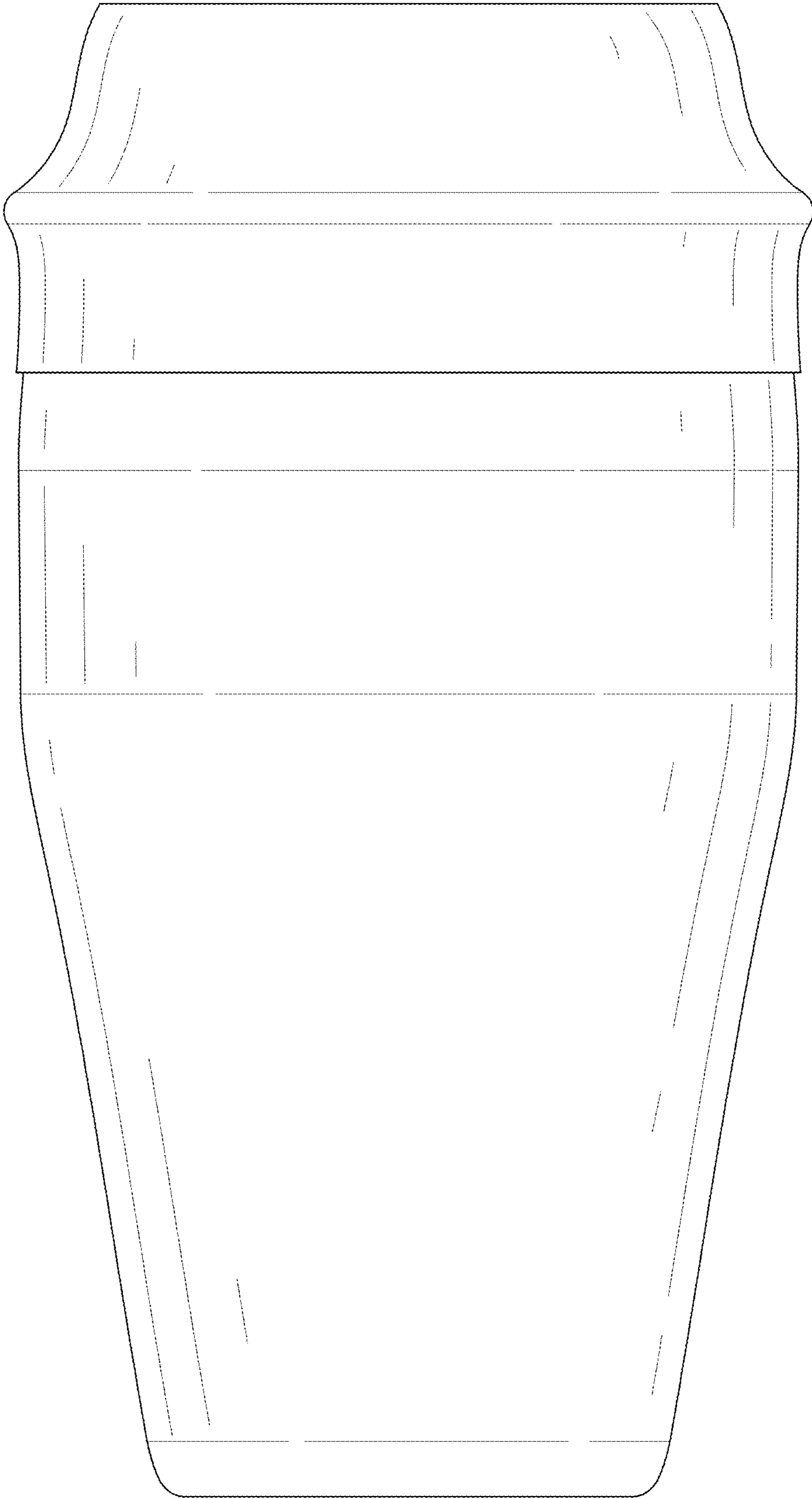


FIG. 6

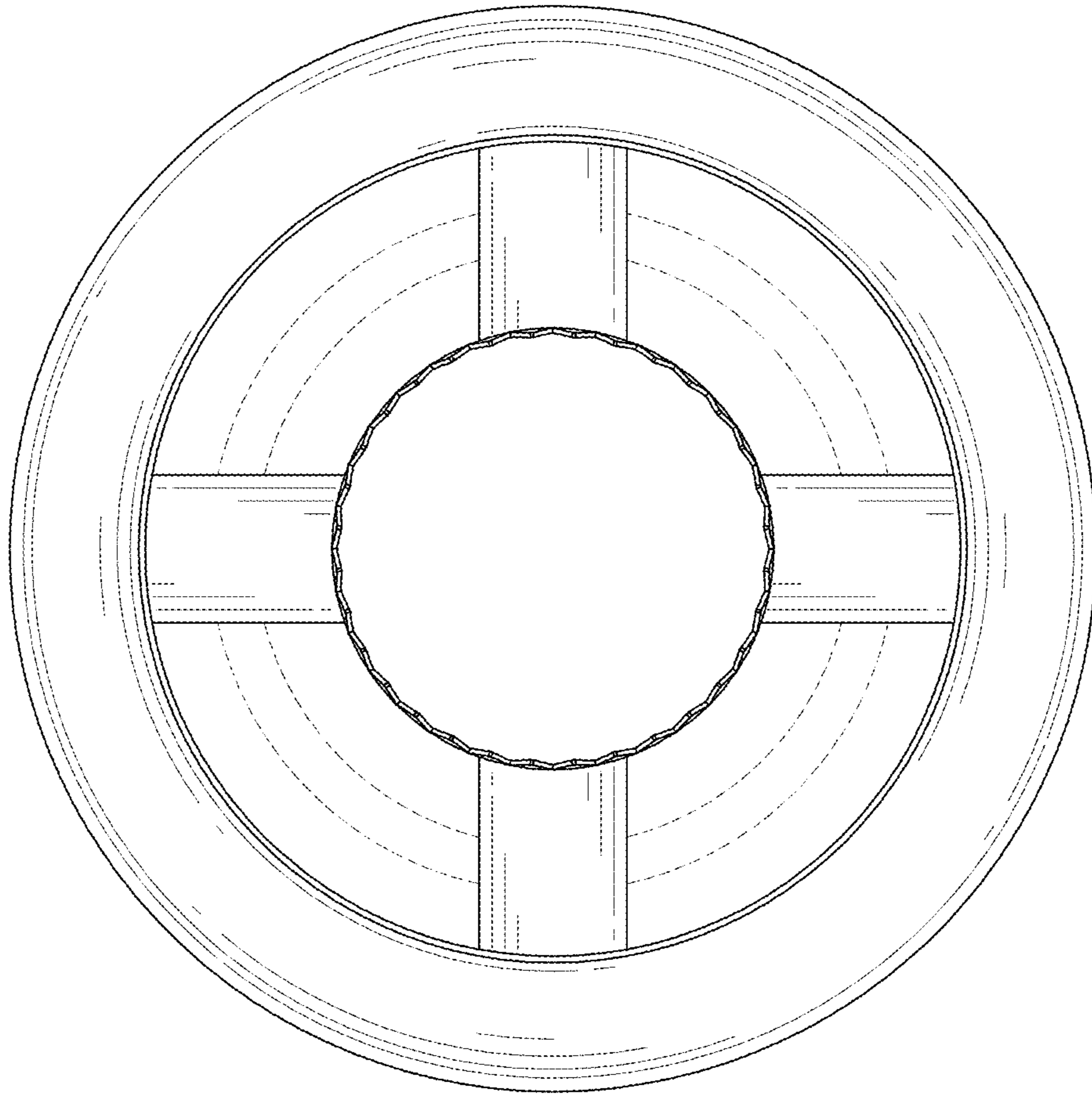


FIG. 7



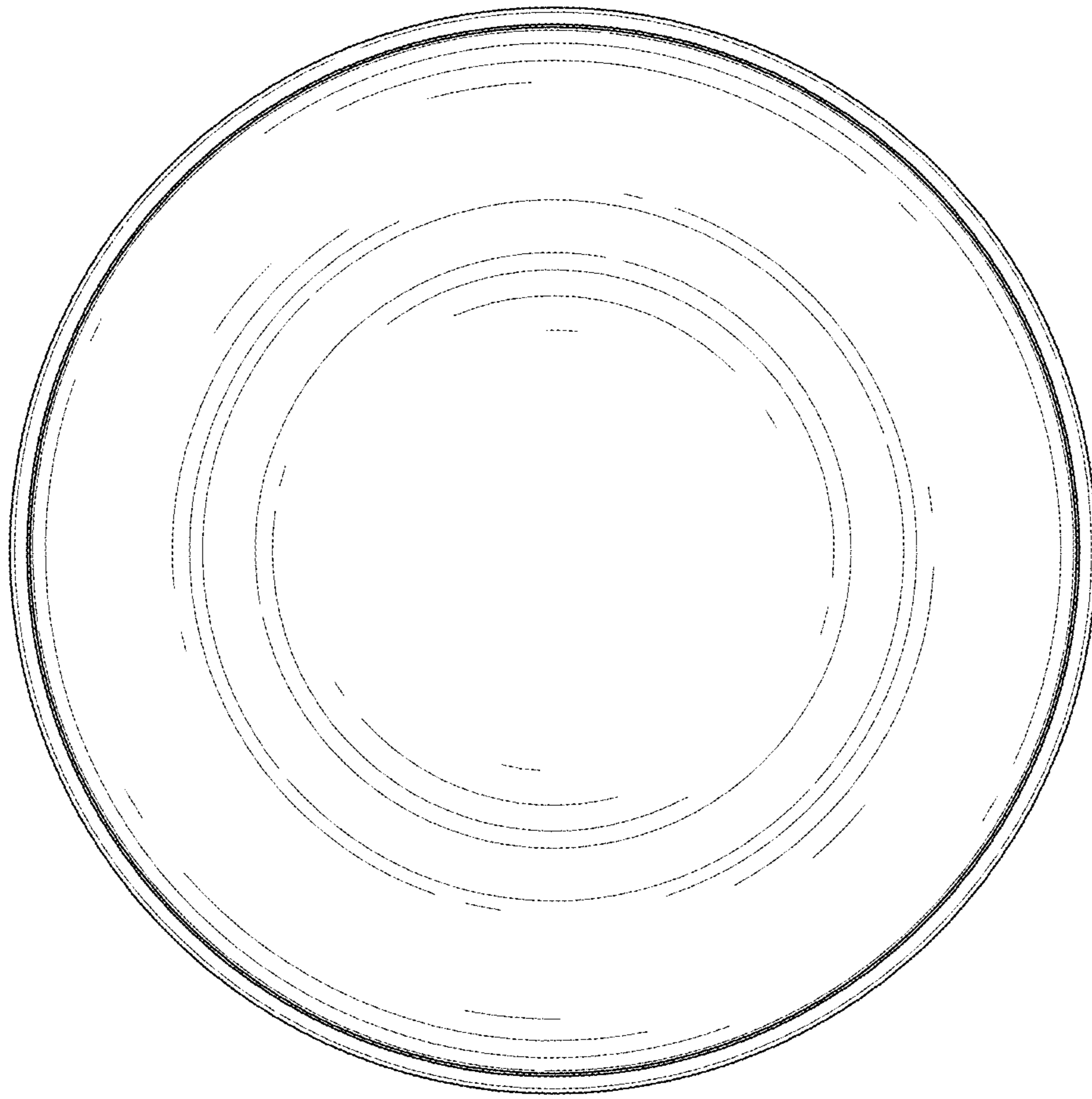


FIG. 8