



US00D937639S

(12) **United States Design Patent** (10) **Patent No.:** **US D937,639 S**  
**Qi** (45) **Date of Patent:** **\*\* Dec. 7, 2021**

(54) **COASTER** 5,010,461 A \* 4/1991 Saotome ..... A47G 23/0309  
362/101  
(71) Applicant: **SHENZHEN NANMU** D336,205 S \* 6/1993 Cooper ..... D7/624.1  
**ELECTRONIC COMMERCE CO.,** D339,830 S \* 9/1993 Adell ..... D21/371  
**LTD.** 5,307,250 A \* 4/1994 Pearson ..... A47G 23/0309  
200/85 R  
(72) Inventor: **Weinan Qi**, Shenzhen (CN) D366,813 S \* 2/1996 Nobles ..... D7/624.1  
D371,054 S \* 6/1996 Henderson ..... D14/191  
D489,578 S \* 5/2004 Lai ..... D7/624.1  
(73) Assignee: **SHENZHEN NANMU** D622,551 S \* 8/2010 Bas ..... D7/624.1  
**ELECTRONIC COMMERCE CO.,** 10,058,204 B2 \* 8/2018 Kuo ..... G02B 6/0083  
**LTD.**, Shenzhen (CN)

\* cited by examiner

(\*\*) Term: **15 Years**

*Primary Examiner* — Terry A Wallace

(21) Appl. No.: **29/720,321**

(74) *Attorney, Agent, or Firm* — Law Offices of Steven W. Weinrieb

(22) Filed: **Jan. 11, 2020**

(51) **LOC (13) Cl.** ..... **07-06**

(57) **CLAIM**

(52) **U.S. Cl.**  
USPC ..... **D7/624.1**

The ornamental design for a coaster, as shown and described.

(58) **Field of Classification Search**

**DESCRIPTION**

USPC ..... D7/619.1-625  
CPC .... A47B 91/00; A47B 13/16; A47G 19/2283;  
A47G 23/02; A47G 23/0306; A47G  
23/0309; A47G 23/0316; A47G 23/032;  
A47G 23/0303; A47G 23/0313; A47G  
23/0216; B65D 23/065  
See application file for complete search history.

FIG. 1 is a front, right side, top perspective view of a coaster showing my new design;  
FIG. 2 is a rear, left side, bottom perspective view thereof;  
FIG. 3 is a front elevational view thereof;  
FIG. 4 is a rear elevational view thereof;  
FIG. 5 is a left side elevational view thereof;  
FIG. 6 is a right side elevational view thereof;  
FIG. 7 is a top plan view thereof; and,  
FIG. 8 is a bottom plan view thereof.

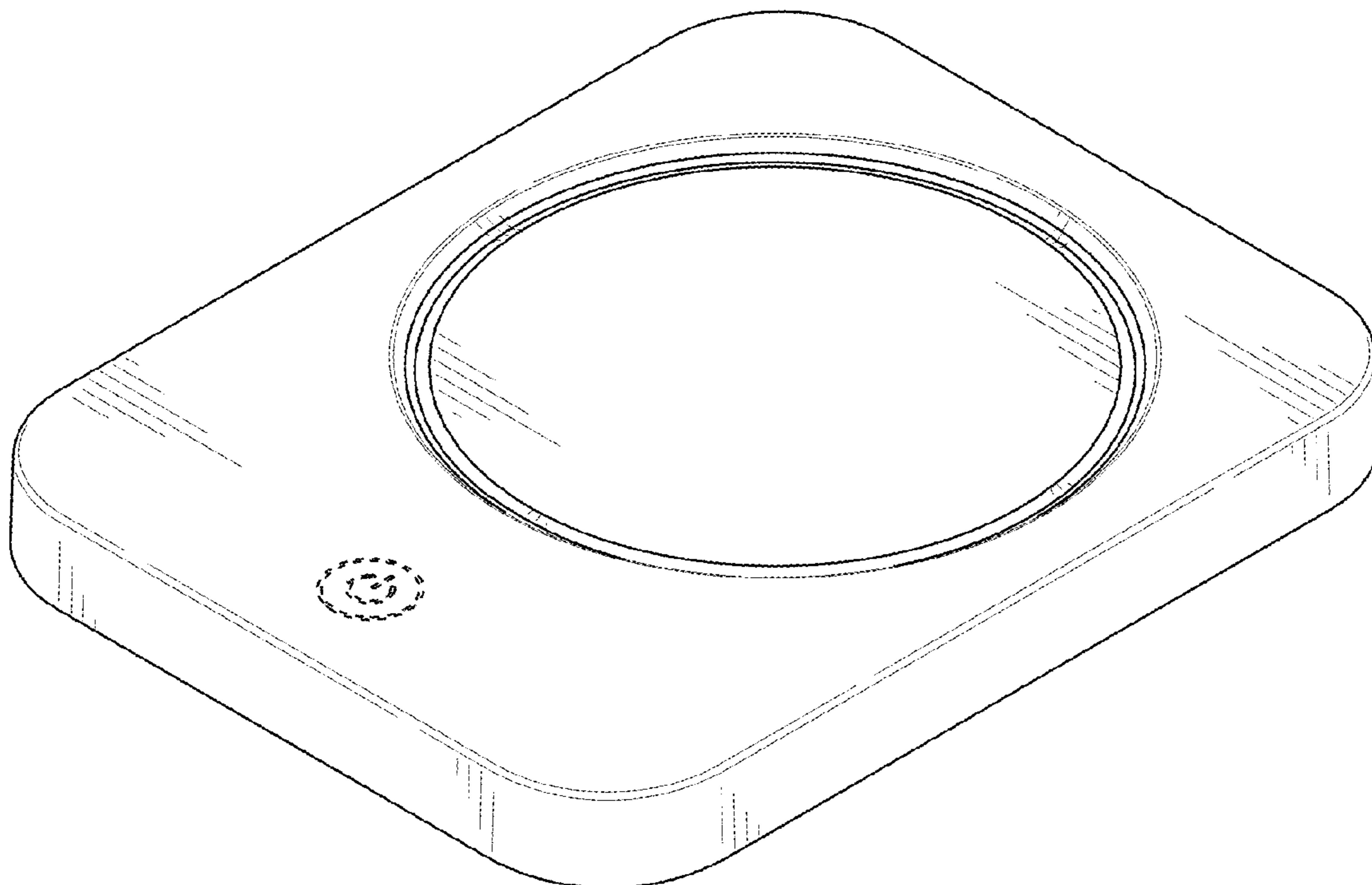
The broken lines depict portions of the coaster that form no part of the claimed design.

(56) **References Cited**

**U.S. PATENT DOCUMENTS**

4,336,574 A \* 6/1982 Goodman ..... A47G 23/0309  
248/346.11  
4,858,873 A \* 8/1989 Wilmoth ..... A47G 23/03  
248/346.11

**1 Claim, 8 Drawing Sheets**



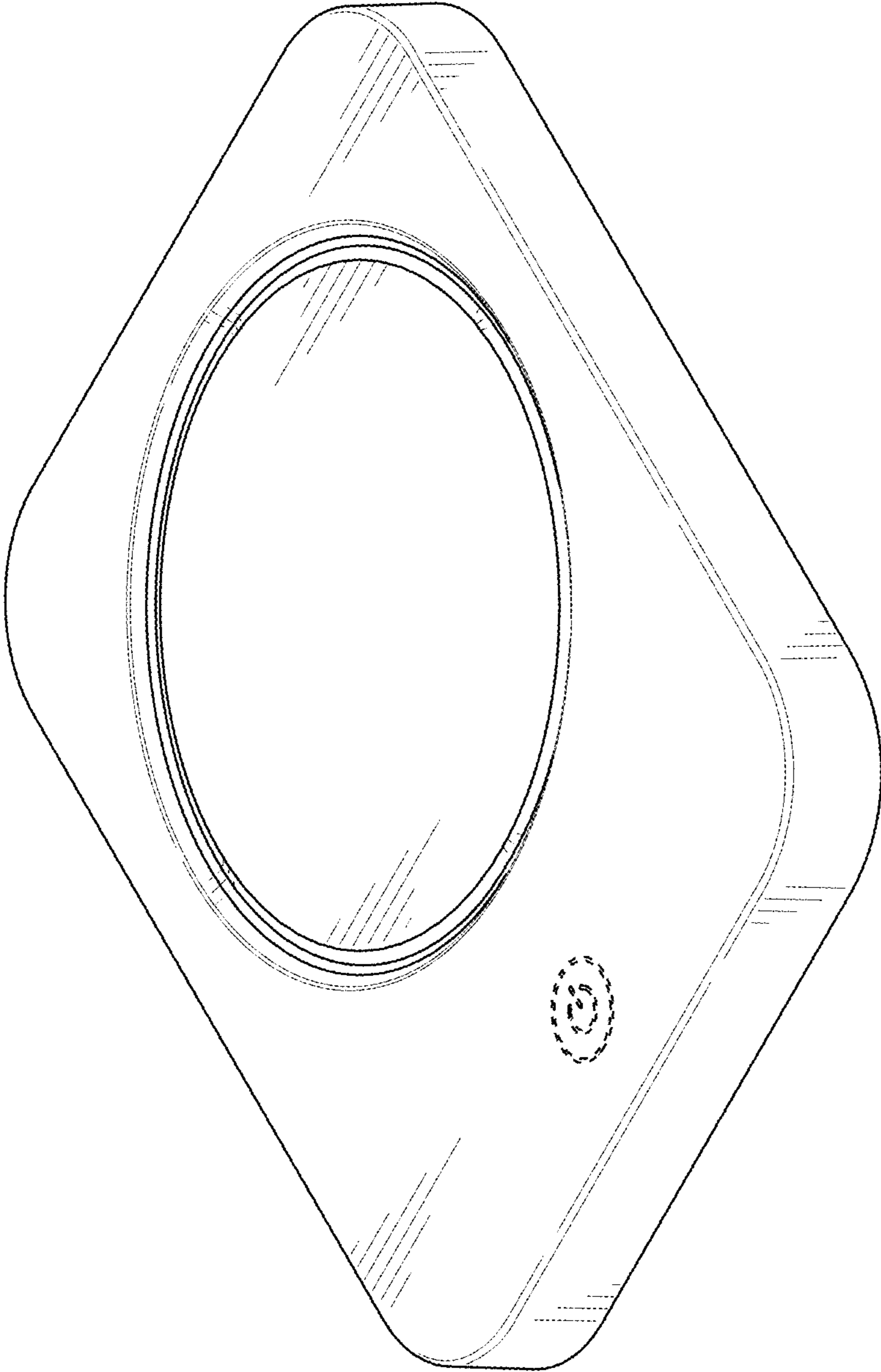


FIG. 1

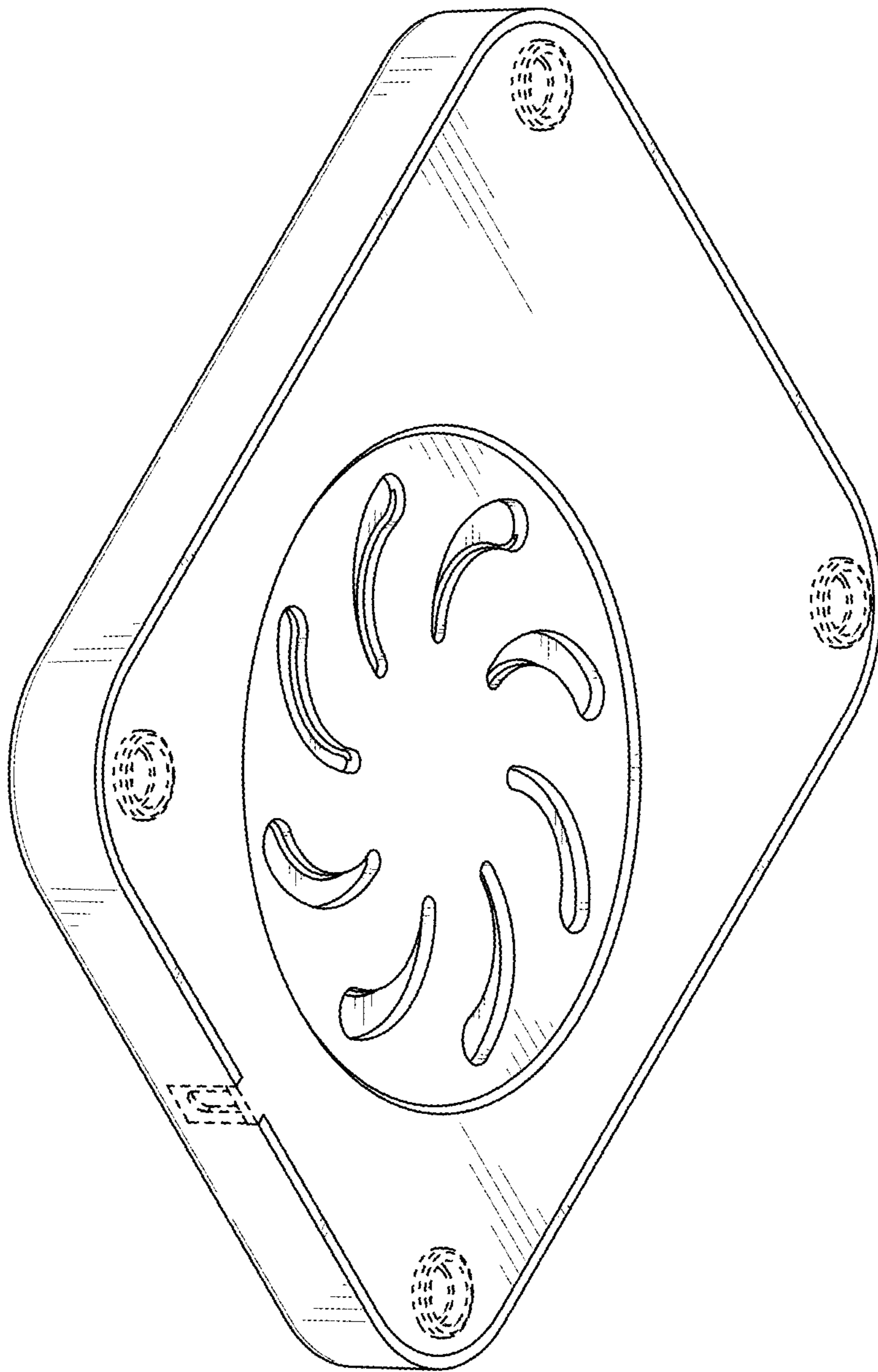


FIG. 2

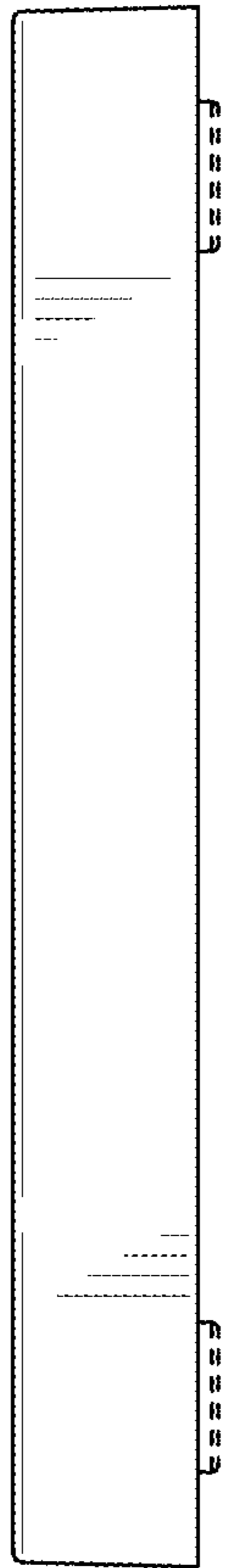


FIG. 3

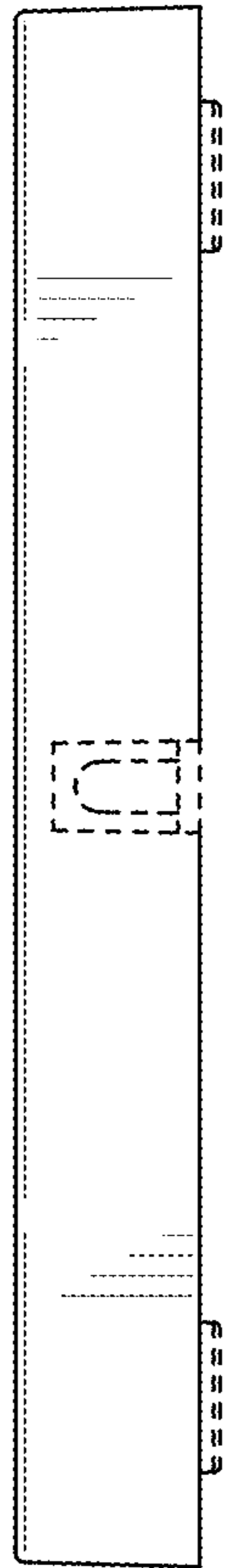


FIG. 4

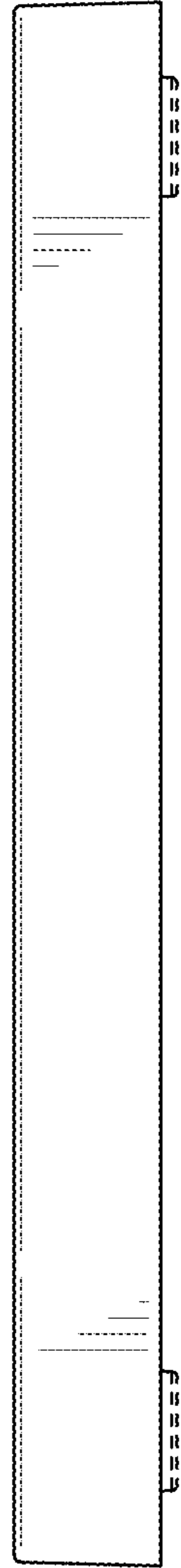


FIG. 5

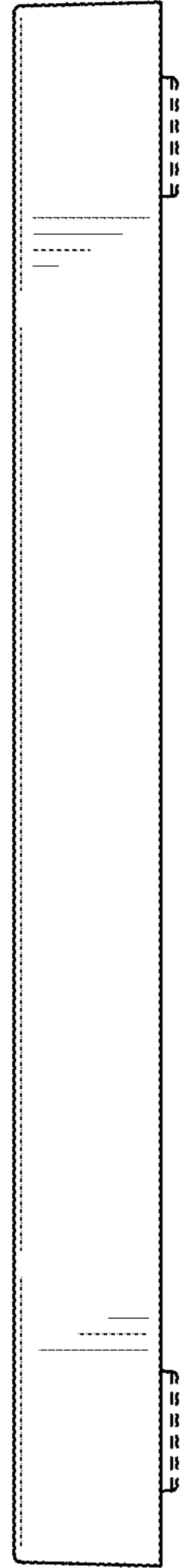


FIG. 6

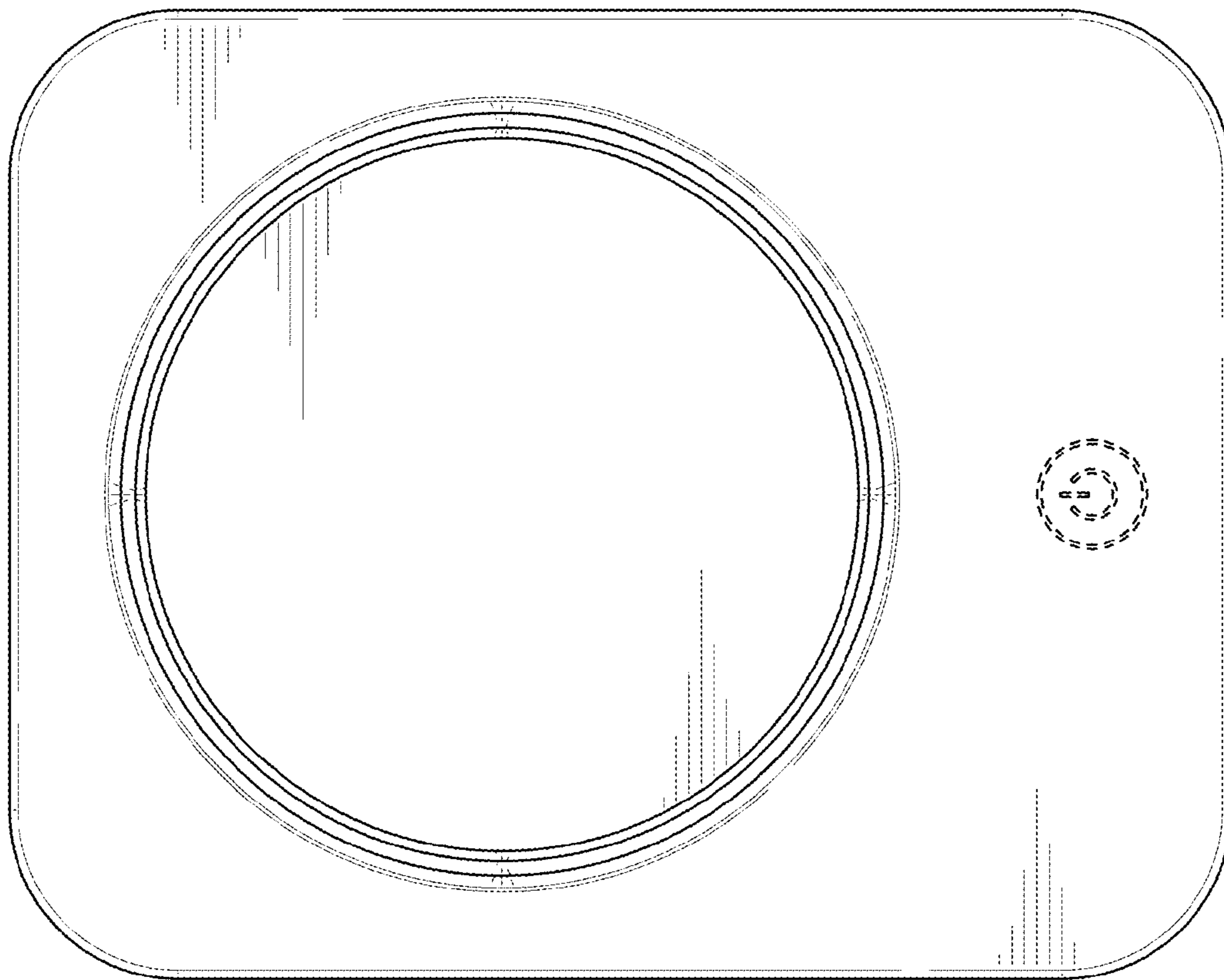


FIG. 7



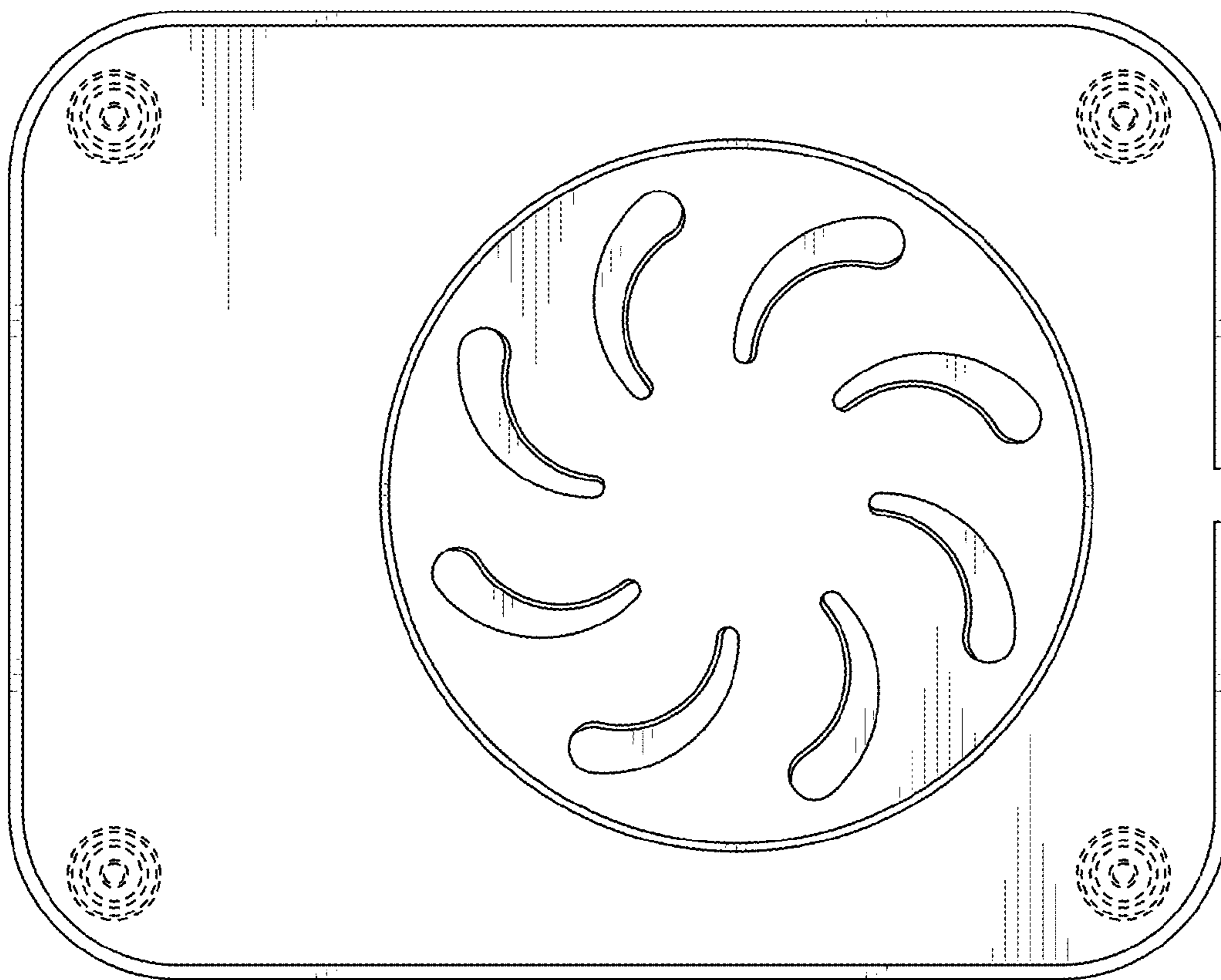


FIG. 8