



US00D937638S

(12) **United States Design Patent** (10) **Patent No.:** **US D937,638 S**
Qi (45) **Date of Patent:** **** Dec. 7, 2021**

(54) **COASTER**
(71) Applicant: **SHENZHEN NANMU ELECTRONIC COMMERCE CO., LTD.**
(72) Inventor: **Weinan Qi**, Shenzhen (CN)
(73) Assignee: **SHENZHEN NANMU ELECTRONIC COMMERCE CO., LTD.**, Shenzhen (CN)
(**) Term: **15 Years**
(21) Appl. No.: **29/720,320**
(22) Filed: **Jan. 11, 2020**
(51) **LOC (13) Cl.** **07-06**
(52) **U.S. Cl.**
USPC **D7/624.1**
(58) **Field of Classification Search**
USPC D7/619.1-625
CPC A47B 91/00; A47B 13/16; A47G 19/2283;
A47G 23/02; A47G 23/0306; A47G 23/0309; A47G 23/0316; A47G 23/032;
A47G 23/0303; A47G 23/0313; A47G 23/0216; B65D 23/065
See application file for complete search history.

5,307,250 A * 4/1994 Pearson A47G 23/0309
200/85 R
D366,813 S * 2/1996 Nobles D7/624.1
5,938,162 A * 8/1999 Honjo A47G 23/032
248/346.11
D489,578 S * 5/2004 Lai D7/624.1
10,058,204 B2 * 8/2018 Kuo G02B 6/0083
D848,224 S * 5/2019 DeBoer D7/624.1

* cited by examiner

Primary Examiner — Terry A Wallace
(74) *Attorney, Agent, or Firm* — Law Offices of Steven W. Weinrieb

(56) **References Cited**
U.S. PATENT DOCUMENTS
4,336,574 A * 6/1982 Goodman A47G 23/0309
248/346.11
4,836,488 A * 6/1989 Ross A47B 13/16
248/154

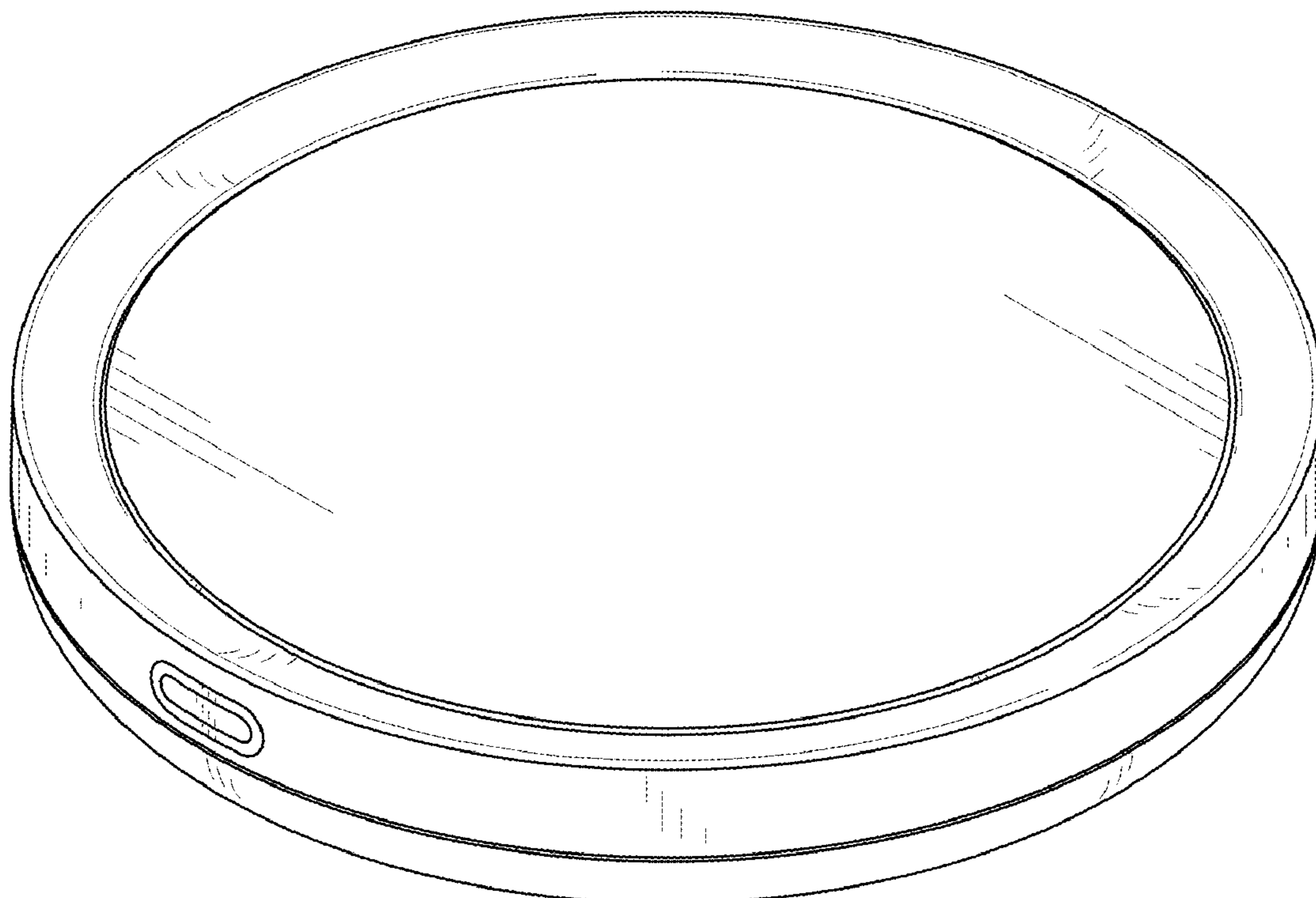
(57) **CLAIM**

The ornamental design for a coaster, as shown and described.

DESCRIPTION

FIG. 1 is a front, right side, top perspective view of a coaster showing my new design;
FIG. 2 is a rear, left side, bottom perspective view thereof;
FIG. 3 is a front elevational view thereof;
FIG. 4 is a rear elevational view thereof;
FIG. 5 is a left side elevational view thereof;
FIG. 6 is a right side elevational view thereof;
FIG. 7 is a top plan view thereof; and,
FIG. 8 is a bottom plan view thereof.
The broken lines depict portions of the coaster that form no part of the claimed design.

1 Claim, 8 Drawing Sheets



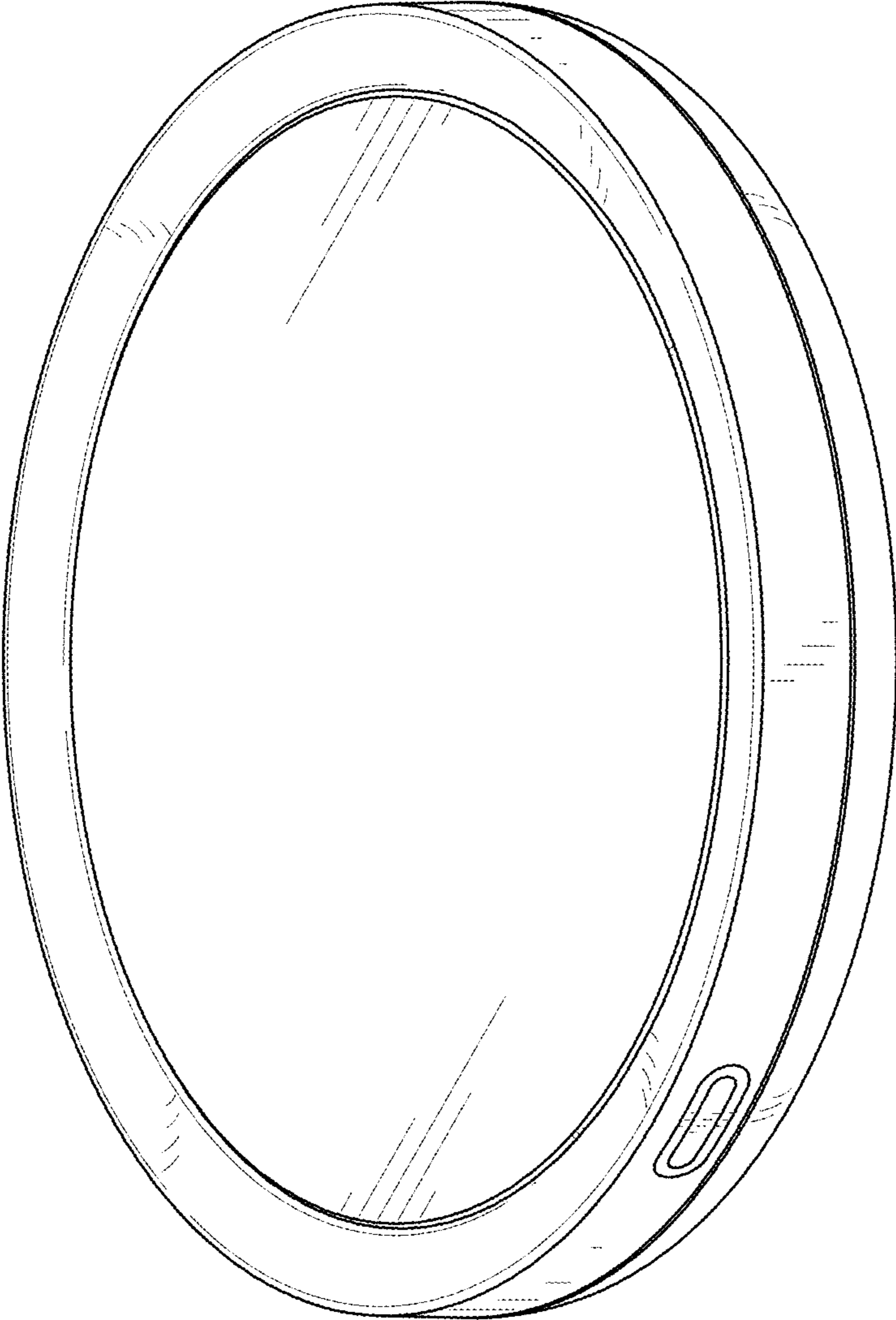


FIG. 1

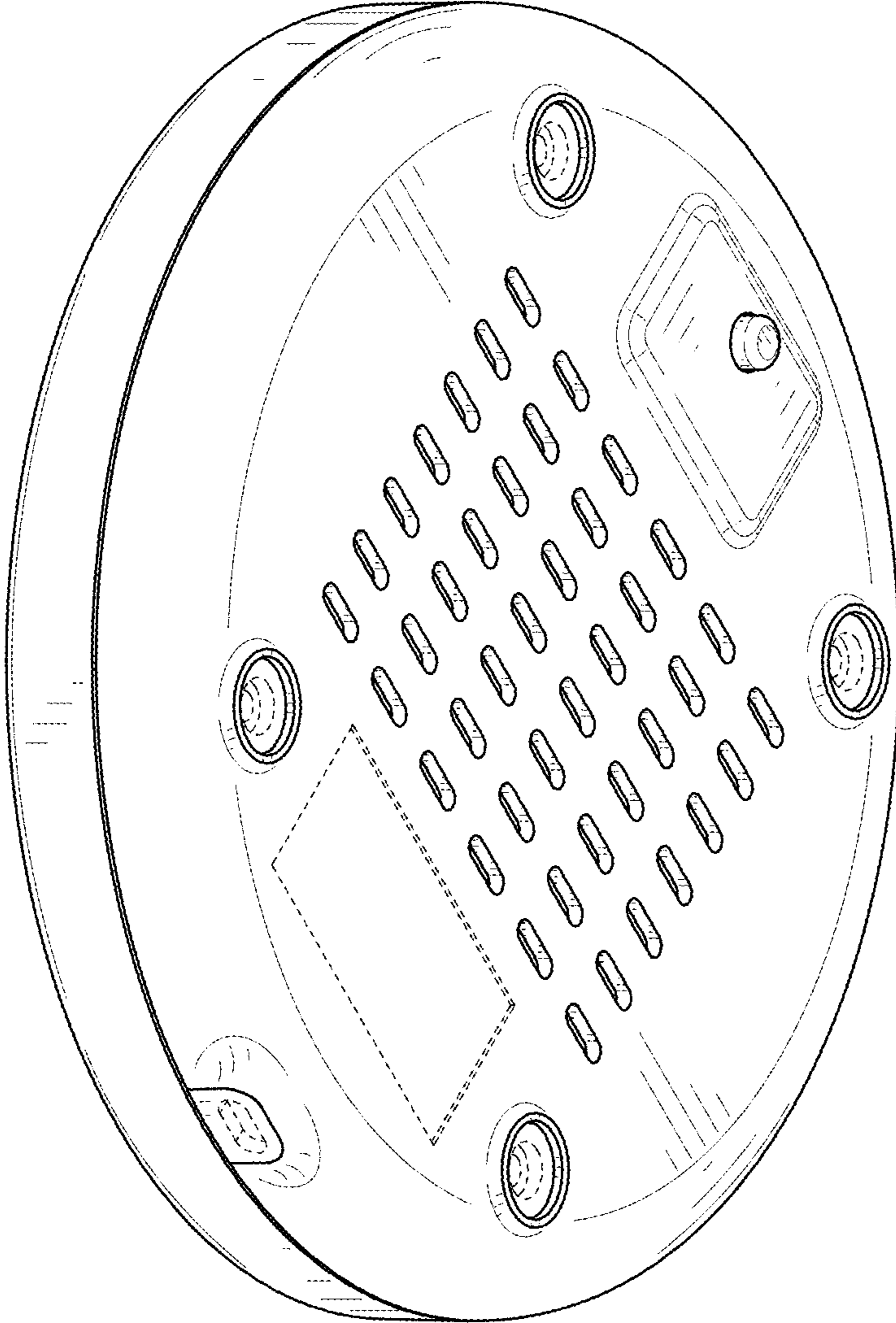


FIG. 2

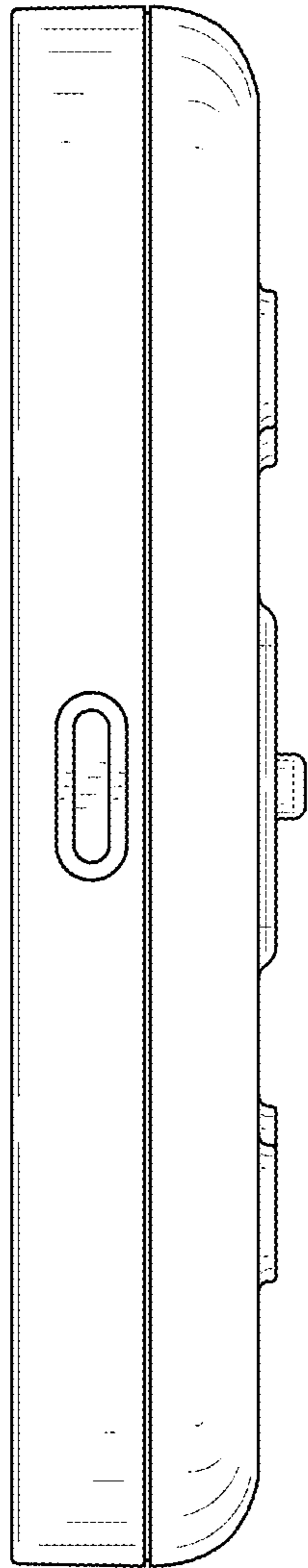


FIG. 3

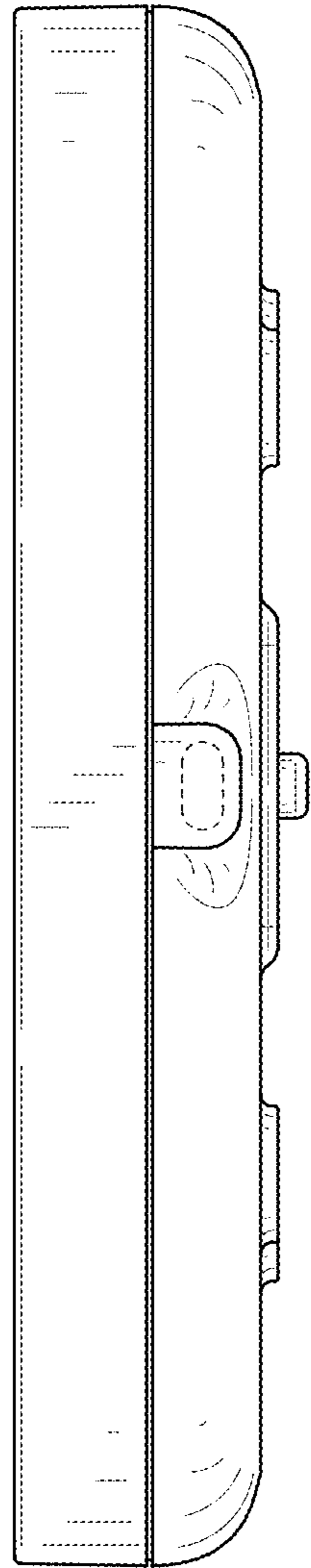


FIG. 4

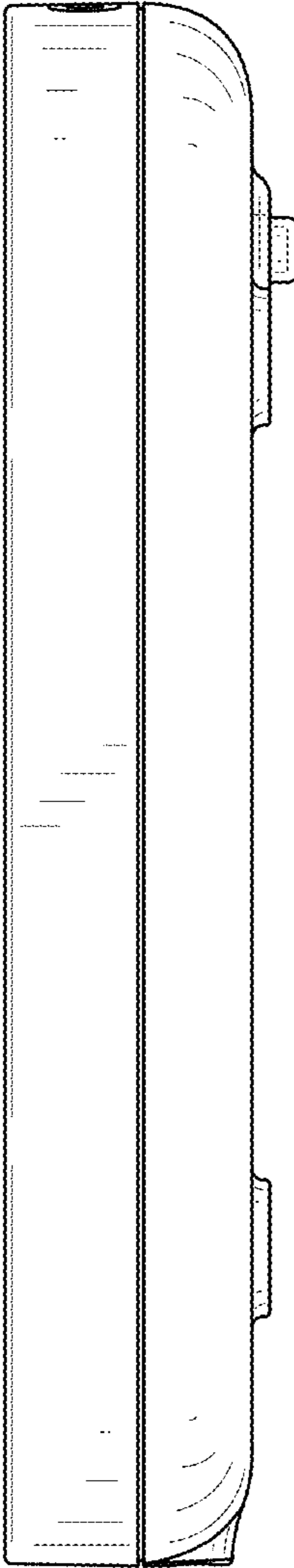


FIG. 5

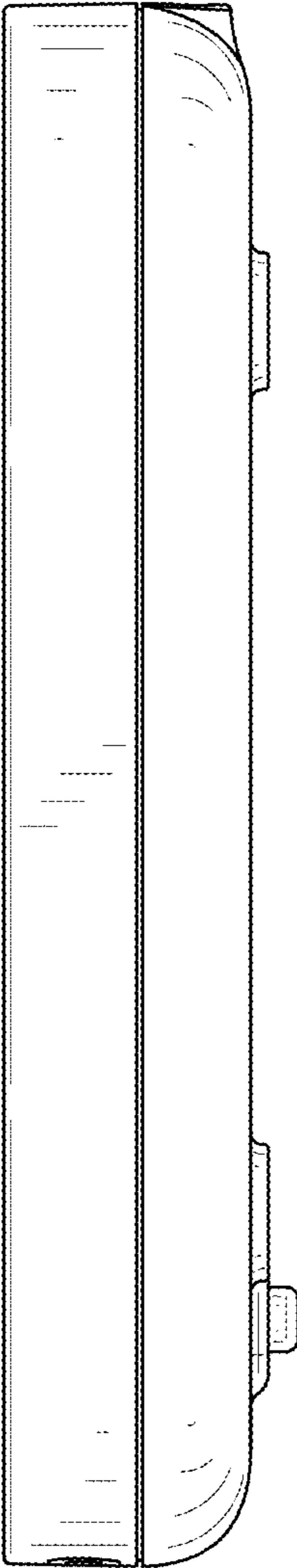


FIG. 6

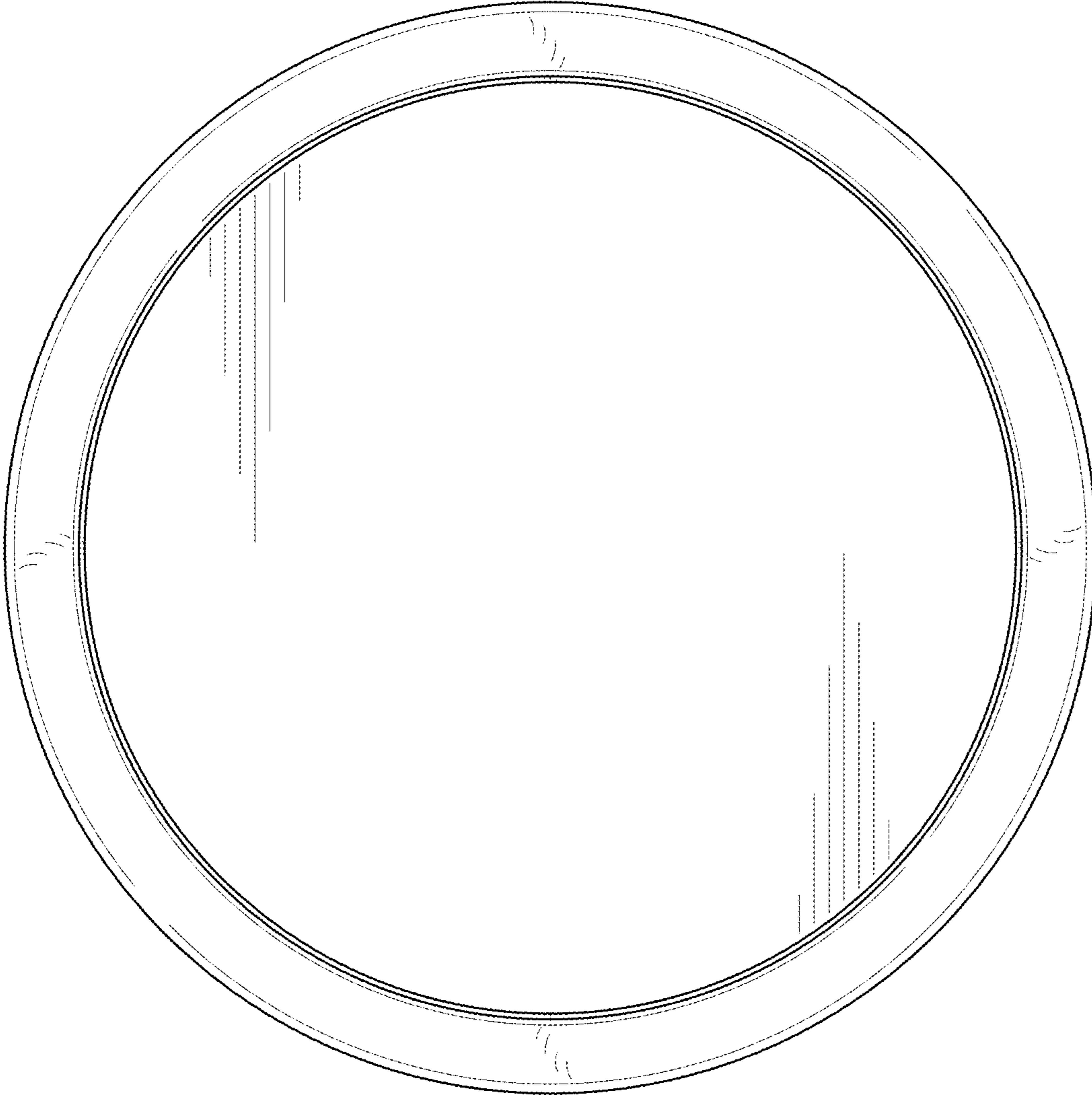


FIG. 7

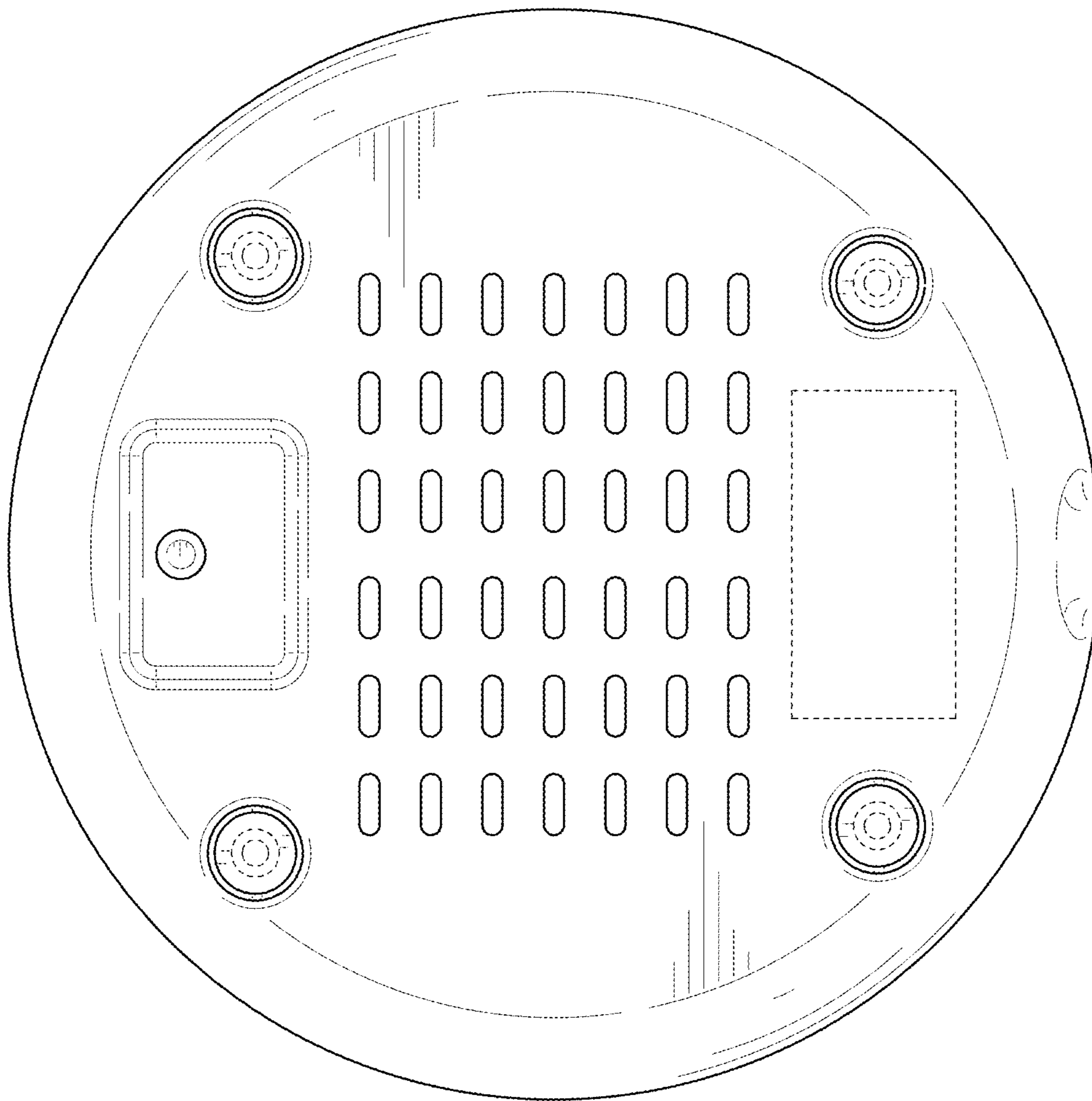


FIG. 8