



US00D937637S

(12) **United States Design Patent** (10) **Patent No.:** **US D937,637 S**
Xiang (45) **Date of Patent:** **** Dec. 7, 2021**

- (54) **CUP HOLDER FOR SOFA**
- (71) Applicant: **Peiyuan Xiang**, Xiangxi Tujia and Miao (CN)
- (72) Inventor: **Peiyuan Xiang**, Xiangxi Tujia and Miao (CN)
- (**) Term: **15 Years**
- (21) Appl. No.: **29/775,129**
- (22) Filed: **Mar. 22, 2021**
- (51) **LOC (13) Cl.** **07-07**
- (52) **U.S. Cl.**
USPC **D7/619.1; D7/624.1**
- (58) **Field of Classification Search**
USPC D7/509, 510, 511, 523, 532, 529, 530, D7/392.1, 396.2, 387, 536, 624.2, 619.1, D7/624.1; D9/522, 539, 656, 571, 444, D9/552
CPC A47G 19/22; A47G 19/2288; A47G 19/2205; A47G 19/2211; A47G 19/2216
See application file for complete search history.

(56) **References Cited**

U.S. PATENT DOCUMENTS

- D337,027 S * 7/1993 Malatok D7/507
- 6,543,637 B1 * 4/2003 Osborn A47G 23/0216
220/737
- D795,022 S * 8/2017 Freeder D7/620
- D824,736 S * 8/2018 Yang
- D852,718 S * 7/2019 Champney D12/221
- D869,910 S * 12/2019 Ye D7/619.1

- D922,832 S * 6/2021 Vickroy D7/624.2
- 2001/0032791 A1 * 10/2001 Hudson A47G 23/02
206/217
- 2019/0075928 A1 * 3/2019 Stigas A47C 7/622
- 2019/0357688 A1 * 11/2019 Dobson F16M 13/022

OTHER PUBLICATIONS

<http://web.archive.org/web/20201001081712/https://www.pulsetv.com/Silicone-Anti-Spill-Cup-Holder-for-Sofas-Couches-and-Armchairs/productinfo/9342/> Silicone Anti-Spill Cup Holder (Year: 2020).*
<https://www.amazon.com/CouchCoaster-Ultimate-Drink-Holder-Black/dp/B01BQTJY14?th=1> (Year: 2017).*

* cited by examiner

Primary Examiner — Jae Liang

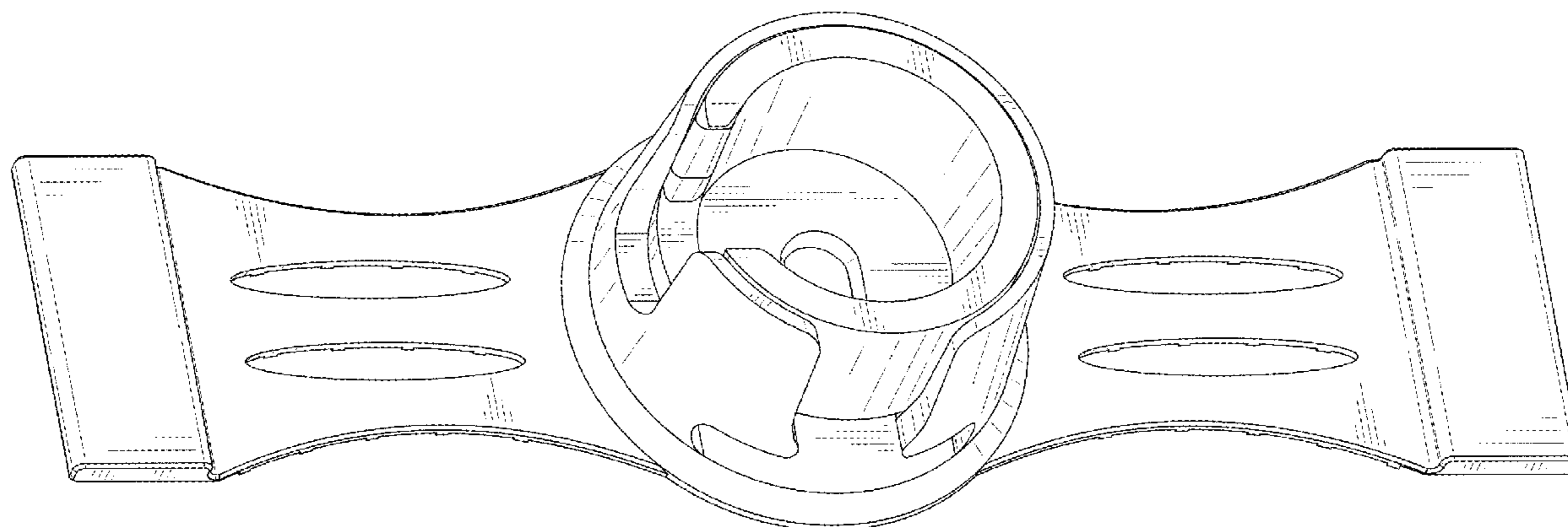
(57) **CLAIM**

The ornamental design for a cup holder for sofa, as shown and described.

DESCRIPTION

FIG. 1 is a perspective view of a cup holder for sofa showing my new design;
FIG. 2 is another perspective view thereof;
FIG. 3 is a front elevational view thereof;
FIG. 4 is a rear elevational view thereof;
FIG. 5 is a left side elevational view thereof;
FIG. 6 is a right side elevational view thereof;
FIG. 7 is a top plan view thereof; and,
FIG. 8 is a bottom plan view thereof.

1 Claim, 8 Drawing Sheets



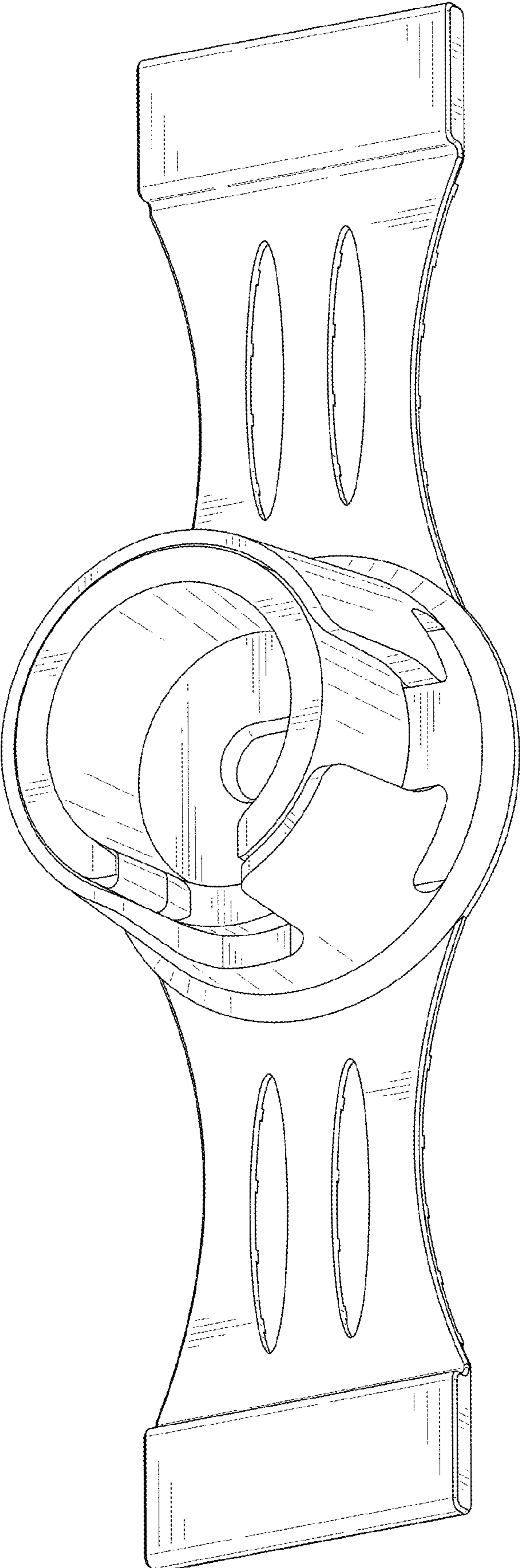


FIG. 1

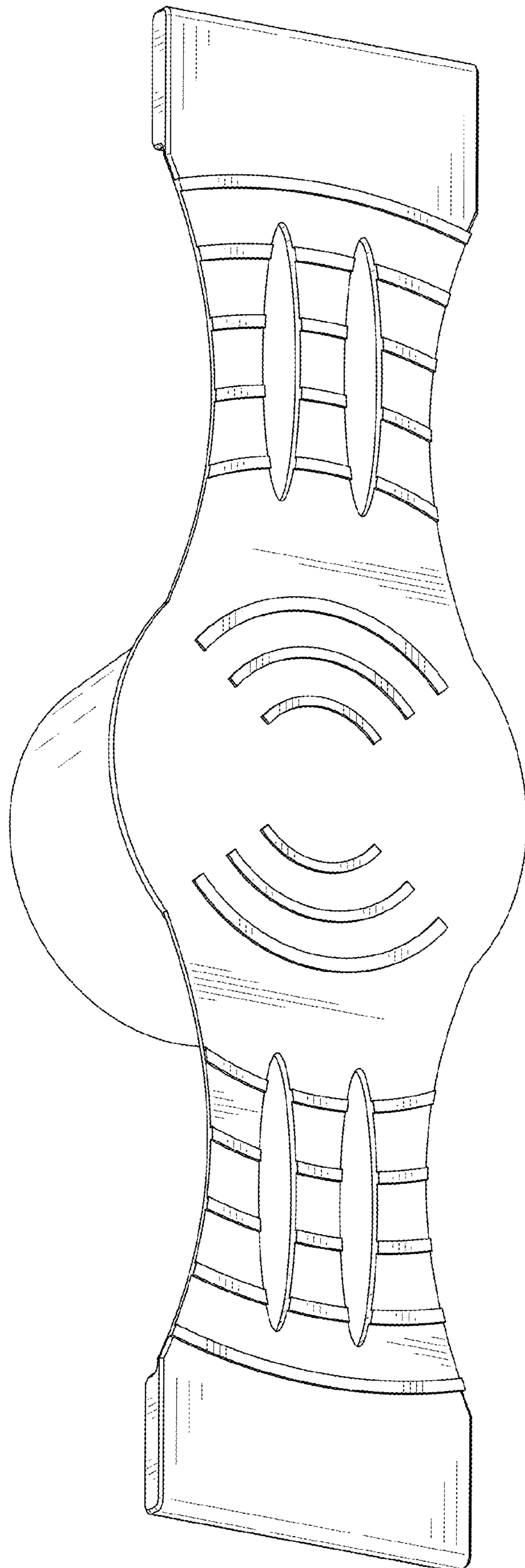


FIG. 2

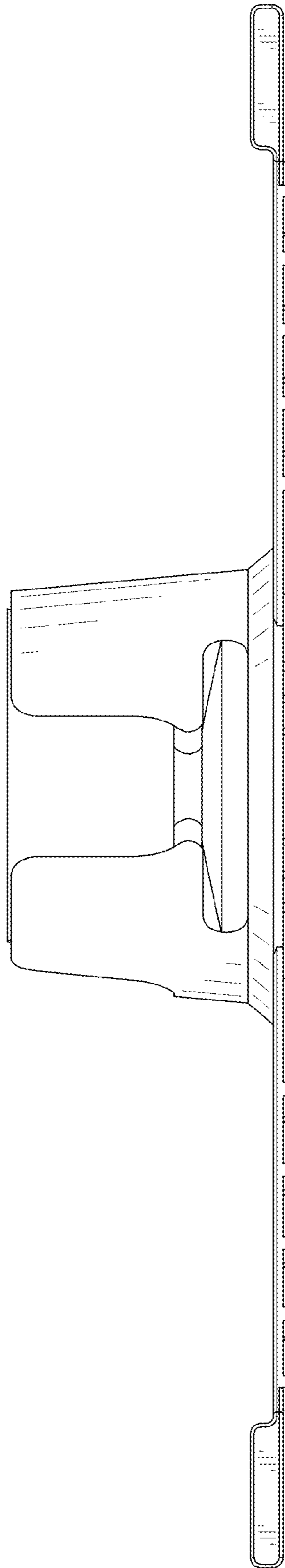


FIG. 3

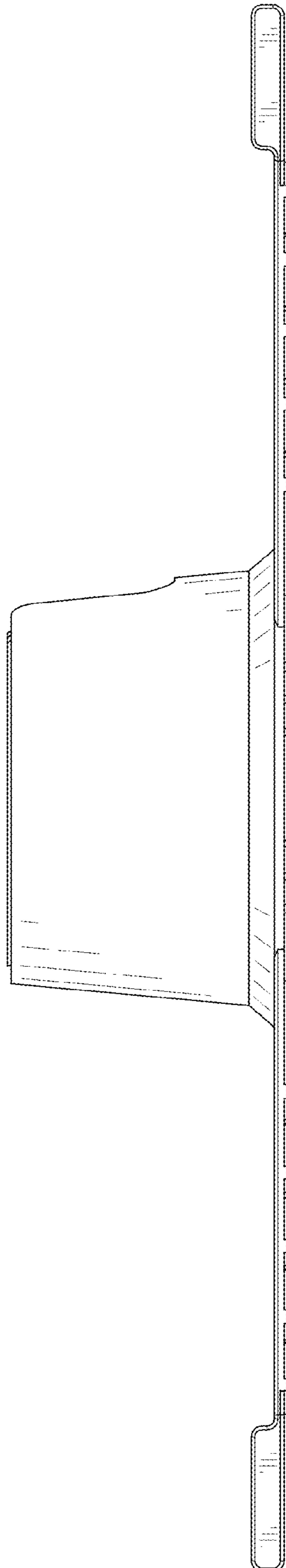


FIG. 4

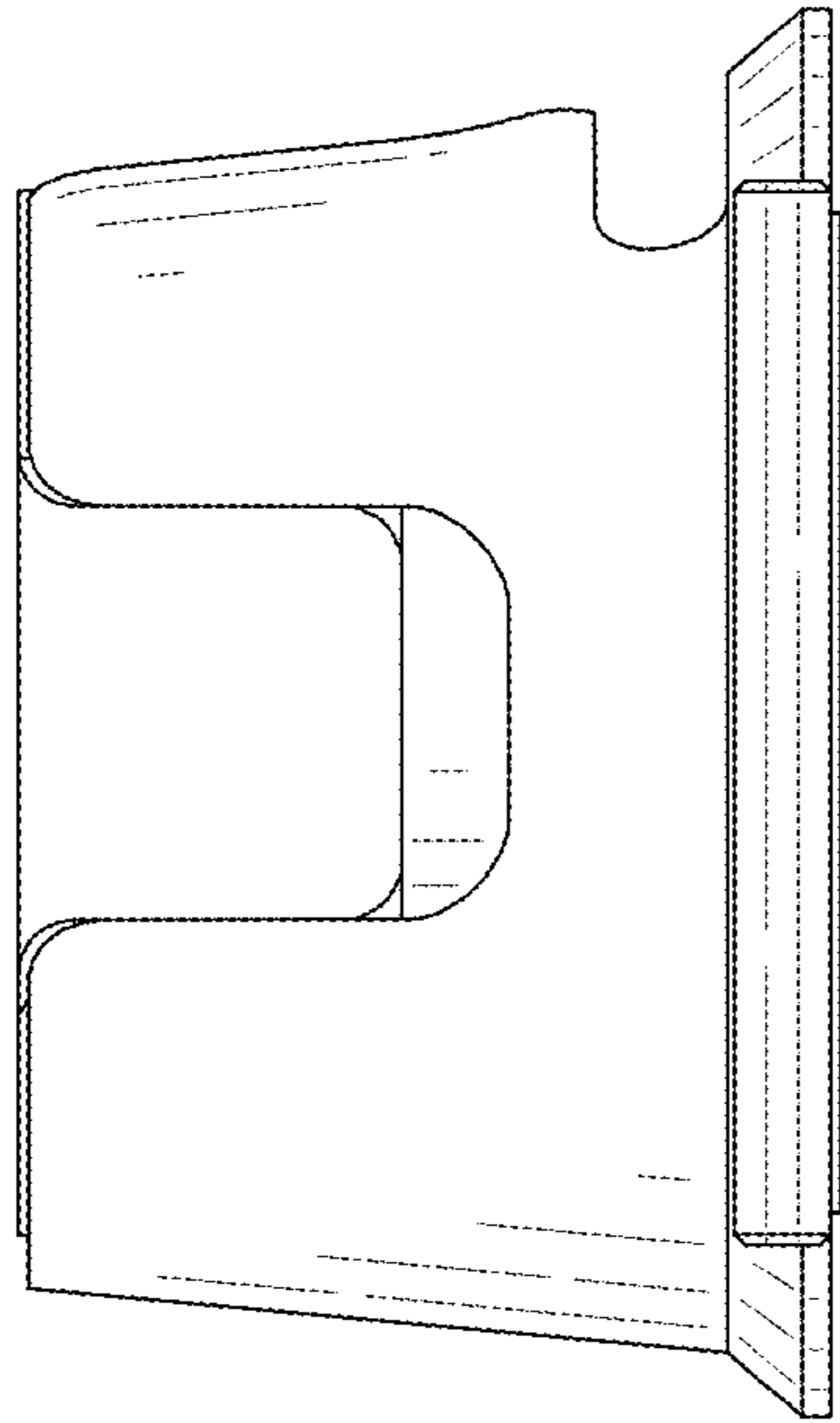


FIG. 5

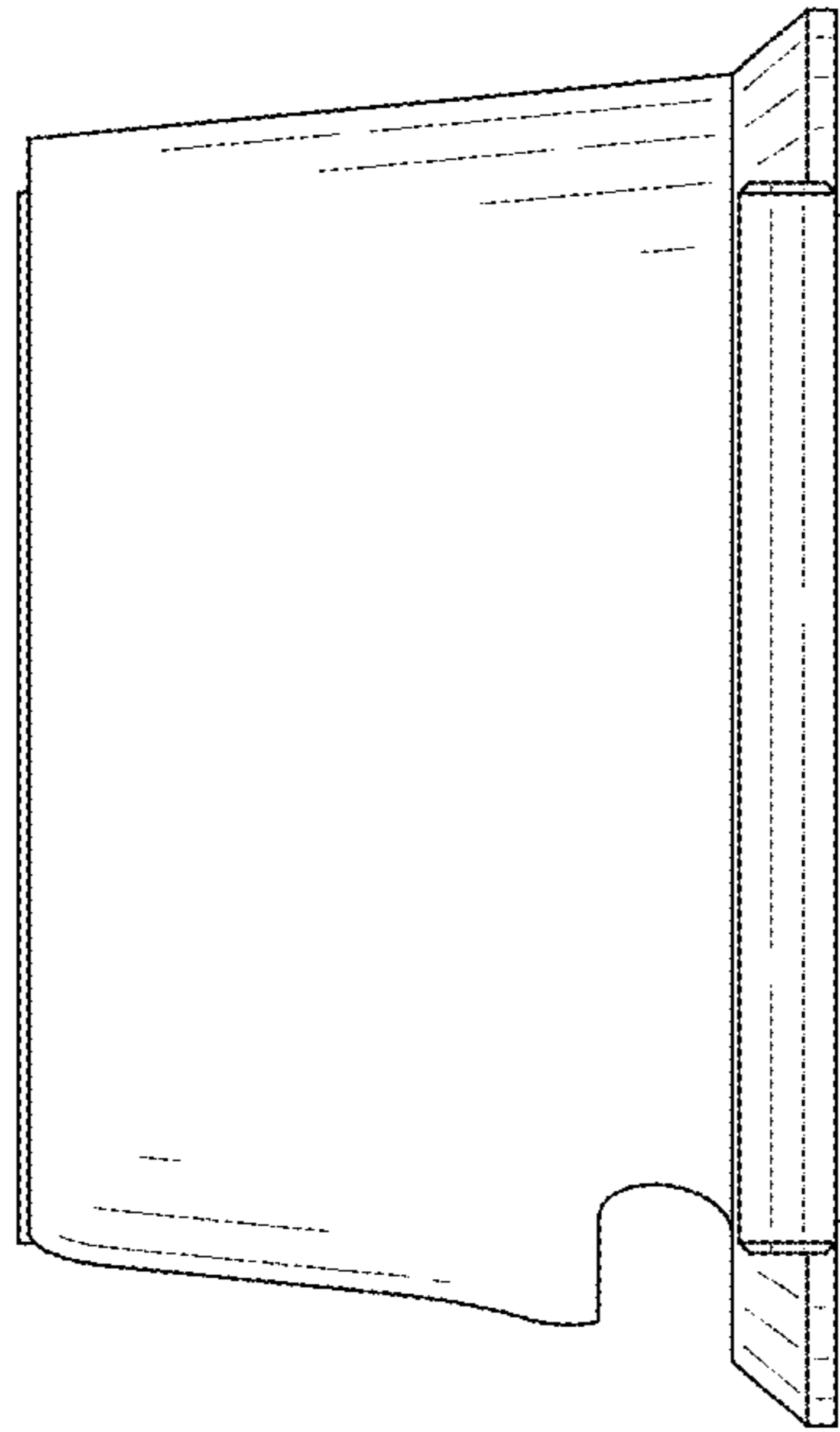


FIG. 6

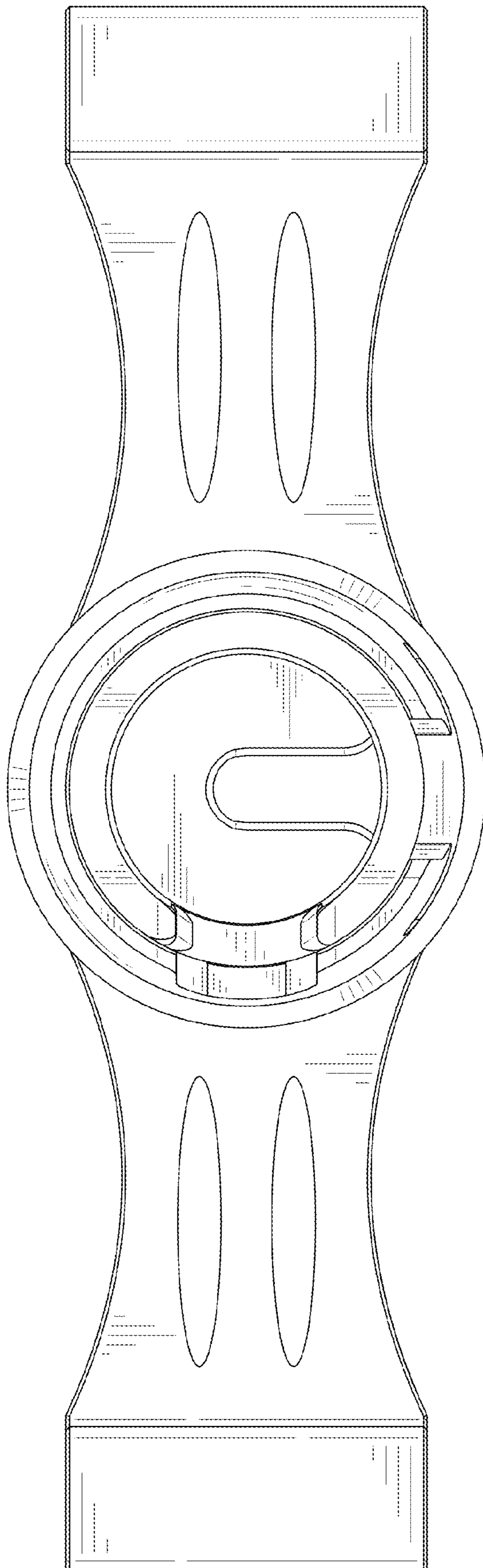


FIG. 7

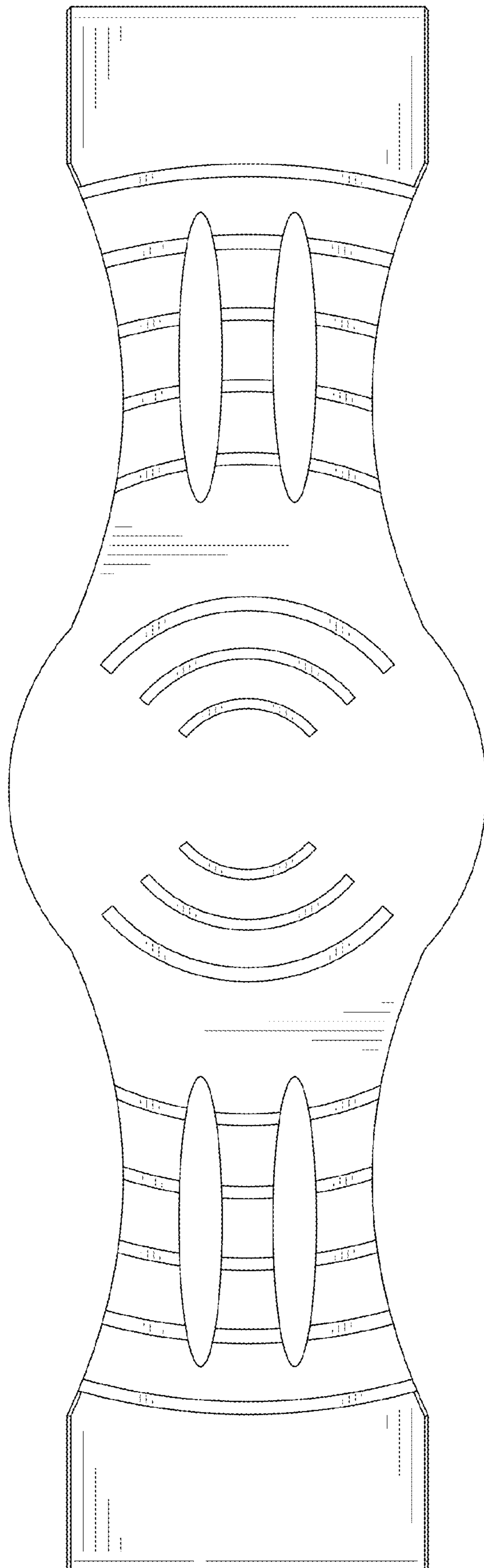


FIG. 8