



US00D937635S

(12) **United States Design Patent** (10) **Patent No.:** **US D937,635 S**
Boudreau et al. (45) **Date of Patent:** **** Dec. 7, 2021**

- (54) **INSET GRIP FOOD CONTAINER**
- (71) Applicant: **CAMBRO MANUFACTURING COMPANY**, Huntington Beach, CA (US)
- (72) Inventors: **Cory R. Boudreau**, Lake Mills, WI (US); **Jeffrey Staszak**, Deerfield, WI (US)
- (73) Assignee: **CAMBRO MANUFACTURING COMPANY**, Huntington Beach, CA (US)
- (**) Term: **15 Years**
- (21) Appl. No.: **29/652,283**
- (22) Filed: **Jul. 9, 2020**
- (51) **LOC (13) Cl.** **07-07**
- (52) **U.S. Cl.**
USPC **D7/602**
- (58) **Field of Classification Search**
USPC D7/601-603, 605, 759-761;
D9/414-416, 424-425, 430-432;
D3/304, 309, 312
CPC B65D 1/26; B65D 1/40; B65D 81/34
See application file for complete search history.

- D772,059 S * 11/2016 Urushidani D9/432
- D793,817 S * 8/2017 Chen D7/602
- D813,664 S * 3/2018 Magana D9/425
- D821,822 S * 7/2018 Brown D7/602
- D835,470 S * 12/2018 Seiders D7/605
- D835,472 S * 12/2018 Seiders D7/605

(Continued)

FOREIGN PATENT DOCUMENTS

- EM 008390397-0001 * 1/2020
- PH 3-2007-107-0001 * 5/2007

OTHER PUBLICATIONS

Square Food Storage Container, Excellent, amazon.com, published by Excellent on Jun. 10, 2010 © 1996-2021 Amazon.com, Inc., online, site visited Aug. 30, 2021. Available at URL: <https://www.amazon.com/Excellante-2-Quart-Polycarbonate-Storage-Containers/dp/B003QMLV9S?th=1> (Year: 2010).*

(Continued)

Primary Examiner — Holly E Thurman
Assistant Examiner — Altaira J Swangin
(74) *Attorney, Agent, or Firm* — George Bethel

(57) **CLAIM**

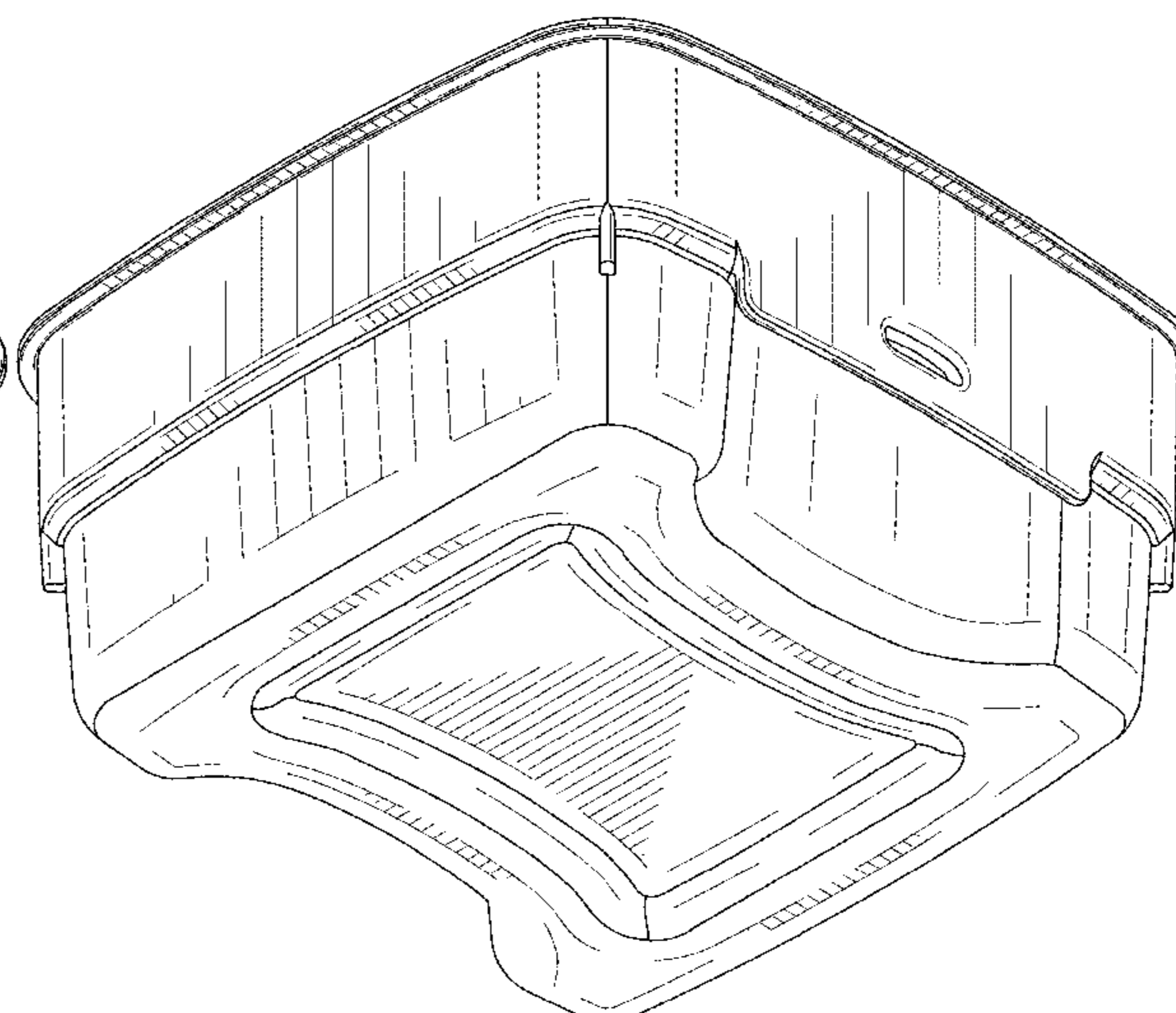
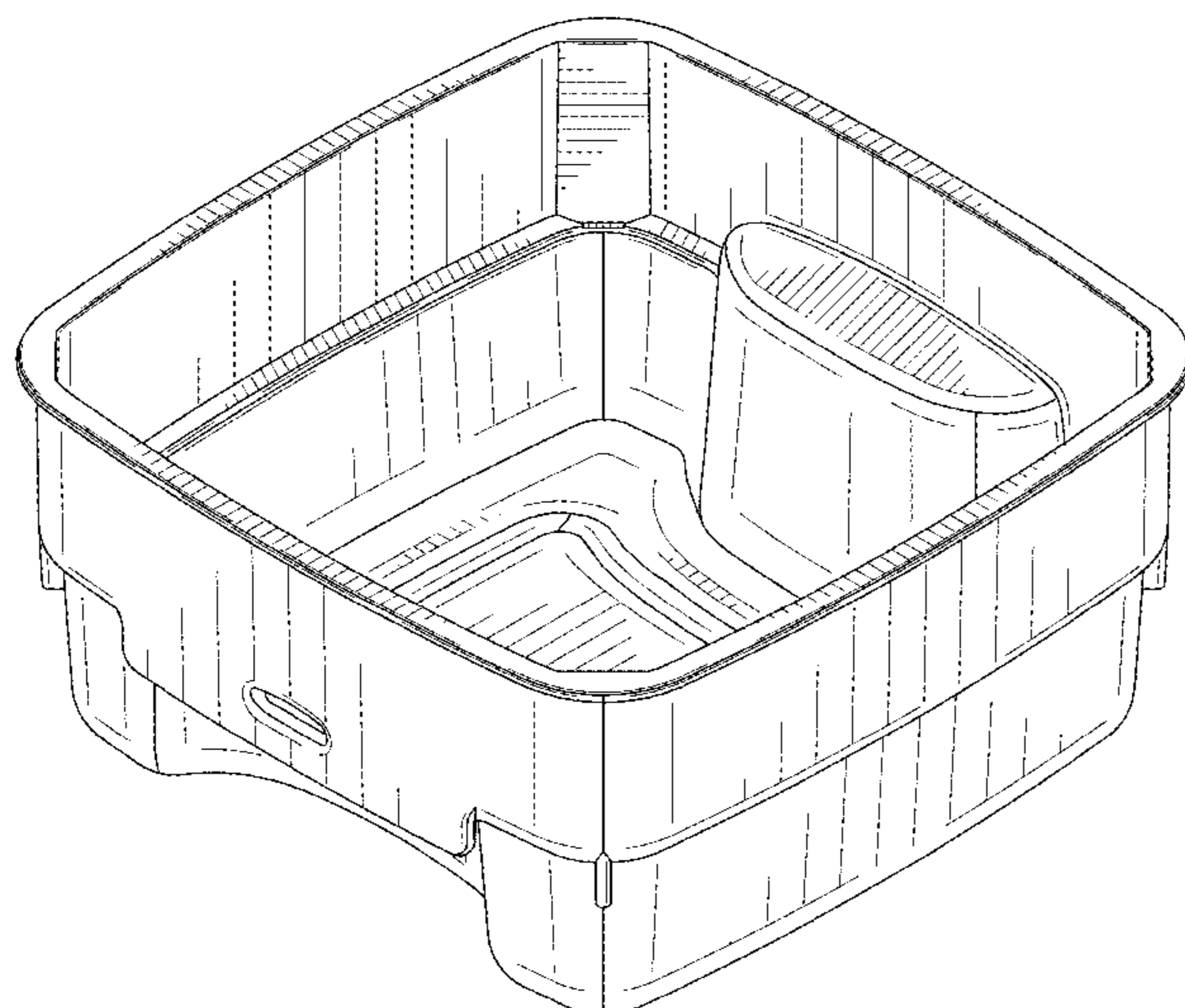
We claim the ornamental design for an inset grip food container, as shown and described.

DESCRIPTION

FIG. 1 is a top front perspective view of the inset grip food container;
FIG. 2 shows a left side elevation view thereof.
FIG. 3 shows a top plan view thereof.
FIG. 4 shows a front elevation view thereof.
FIG. 5 shows a rear elevation view thereof.
FIG. 6 shows a right side elevation view thereof.
FIG. 7 shows a bottom plan view thereof; and,
FIG. 8 is a back bottom perspective view.

1 Claim, 5 Drawing Sheets

- (56) **References Cited**
- U.S. PATENT DOCUMENTS
- D279,251 S * 6/1985 Daenen D7/614
- D279,252 S * 6/1985 Daenen D7/602
- D357,120 S * 4/1995 Miller D3/312
- D363,647 S * 10/1995 Rivlin D21/484
- D387,558 S * 12/1997 Mann D3/307
- D398,151 S * 9/1998 Ahern, Jr. D3/304
- D604,921 S * 11/2009 Presnell D3/312
- D646,969 S * 10/2011 Snedden D9/431
- D672,614 S * 12/2012 Stamper D7/602
- D672,616 S * 12/2012 Stamper D7/602
- D673,009 S * 12/2012 Stamper D7/602
- D707,495 S * 6/2014 Shirley D7/602



(56)

References Cited

U.S. PATENT DOCUMENTS

D887,789 S * 6/2020 Seiders D7/605
D901,991 S * 11/2020 Liu D7/629
D912,473 S * 3/2021 Fager D7/602

OTHER PUBLICATIONS

Square Food Storage Container, Décor Rack, amazon.com, published by Décor Rack on Aug. 14, 2018 © 1996-2021 Amazon.com, Inc., online, site visited Aug. 30, 2021. Available at URL: <https://www.amazon.com/DecorRack-Containers-Multiuse-Leftover-Container/dp/B07FYSJGMX?th=1> (Year: 2018).*

* cited by examiner

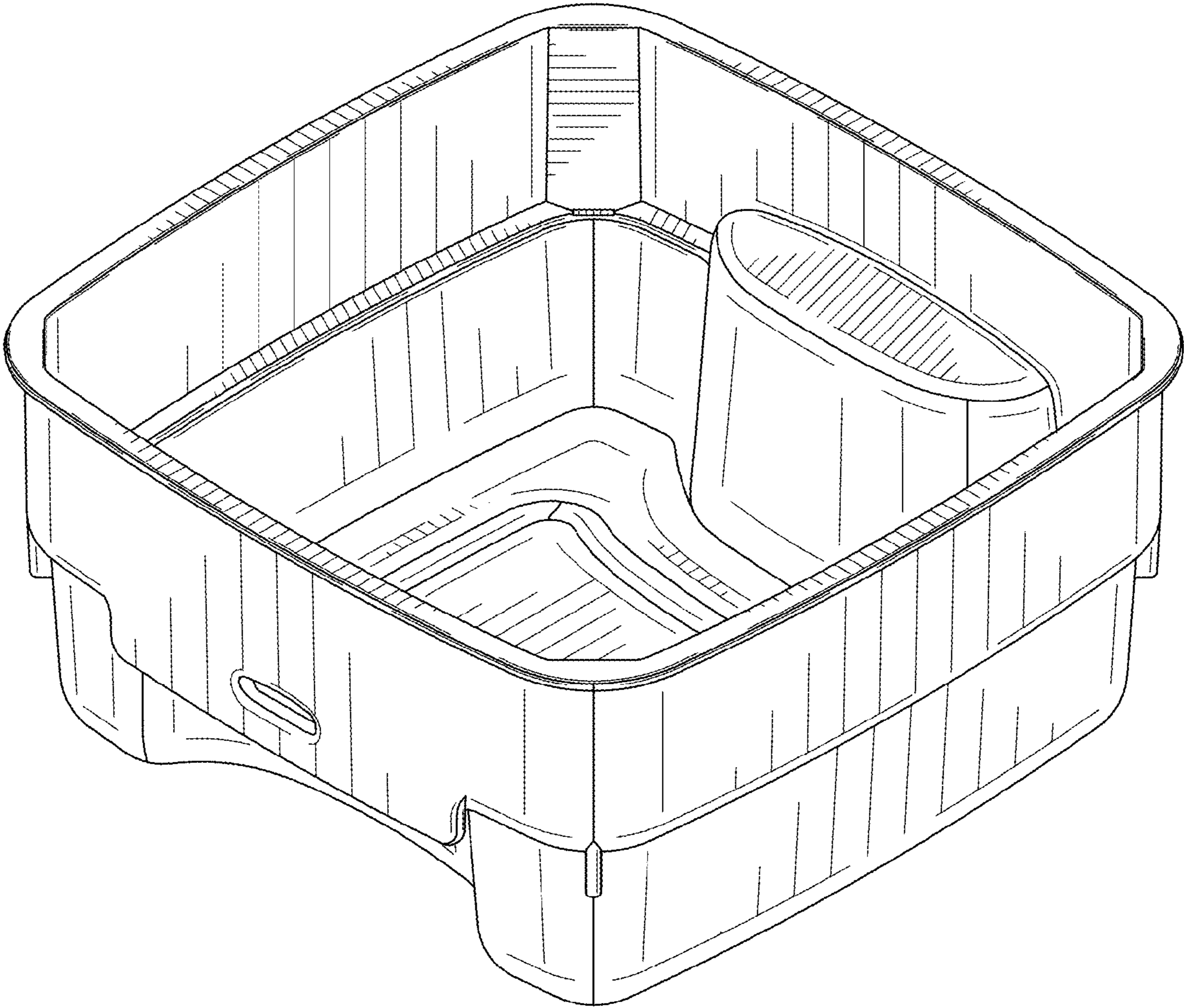


FIG. 1

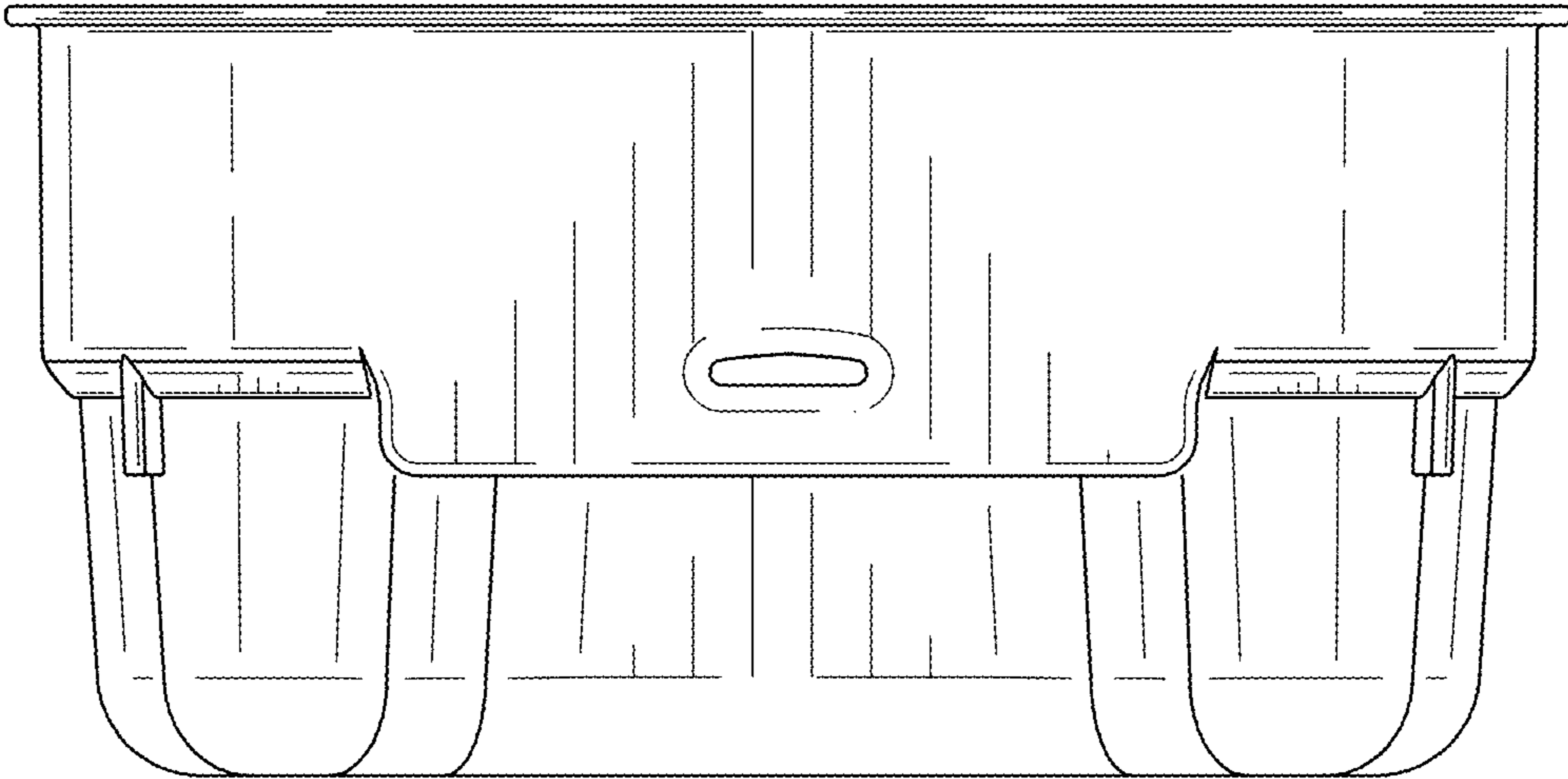


FIG. 2

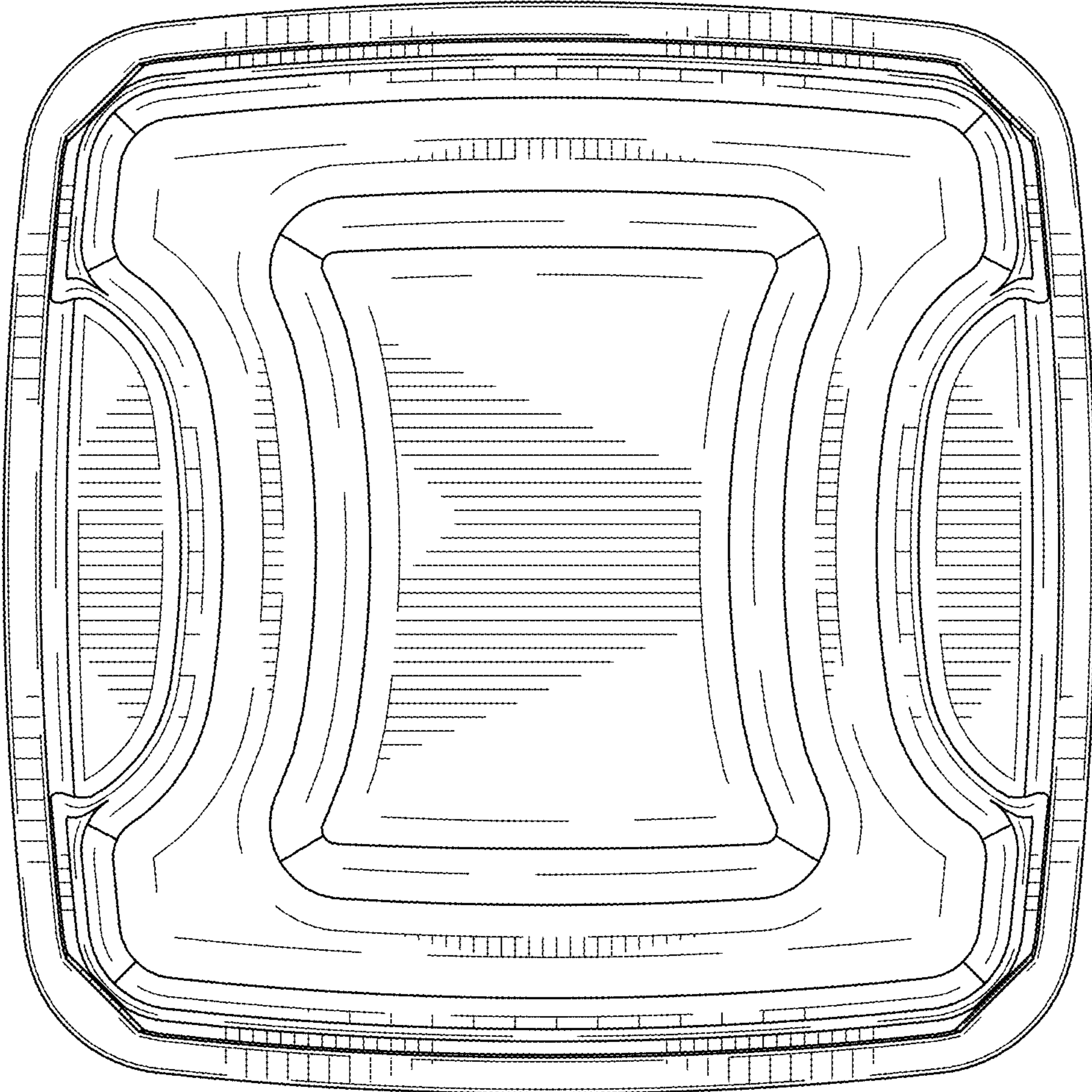


FIG. 3

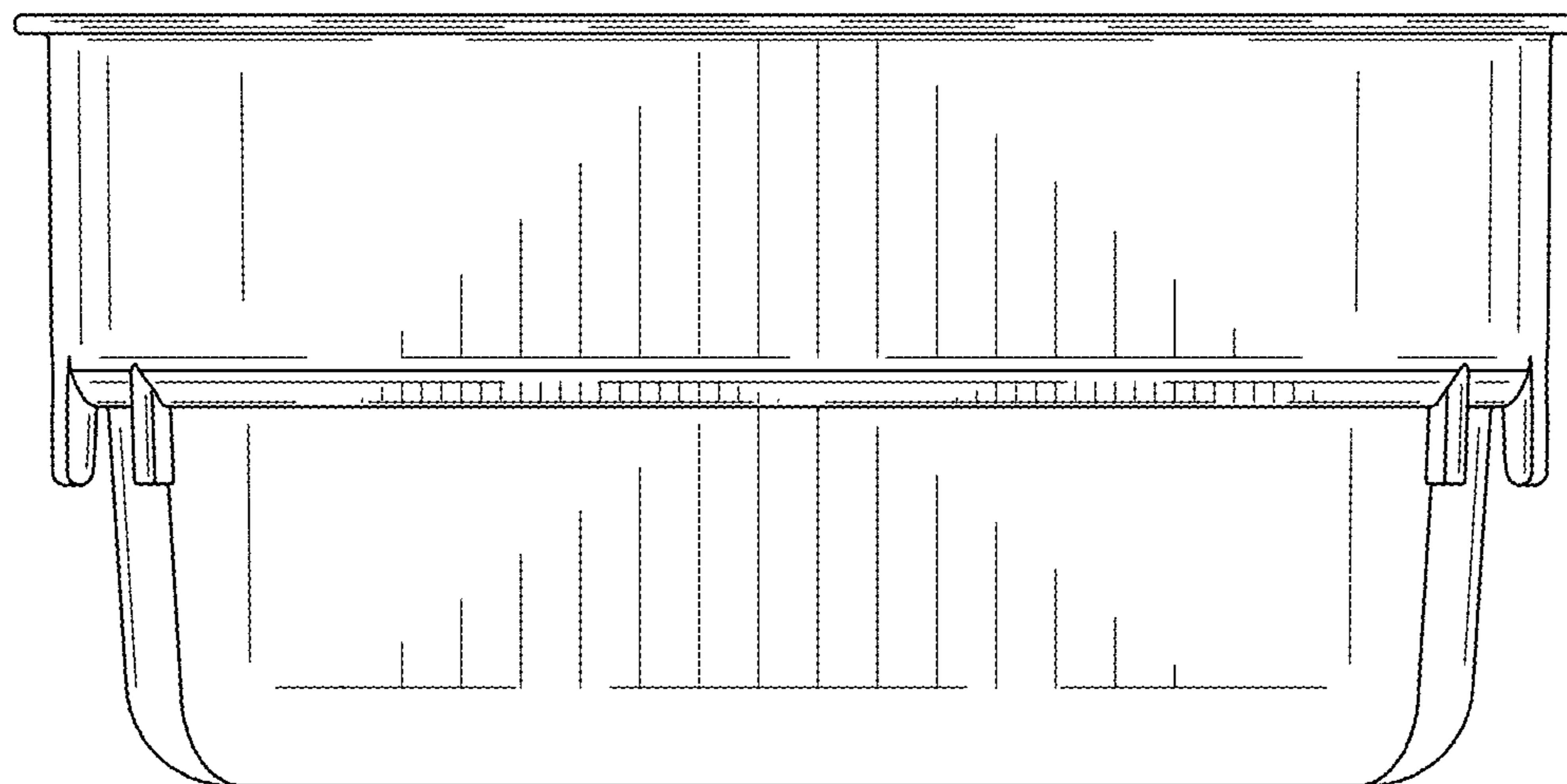


FIG. 4

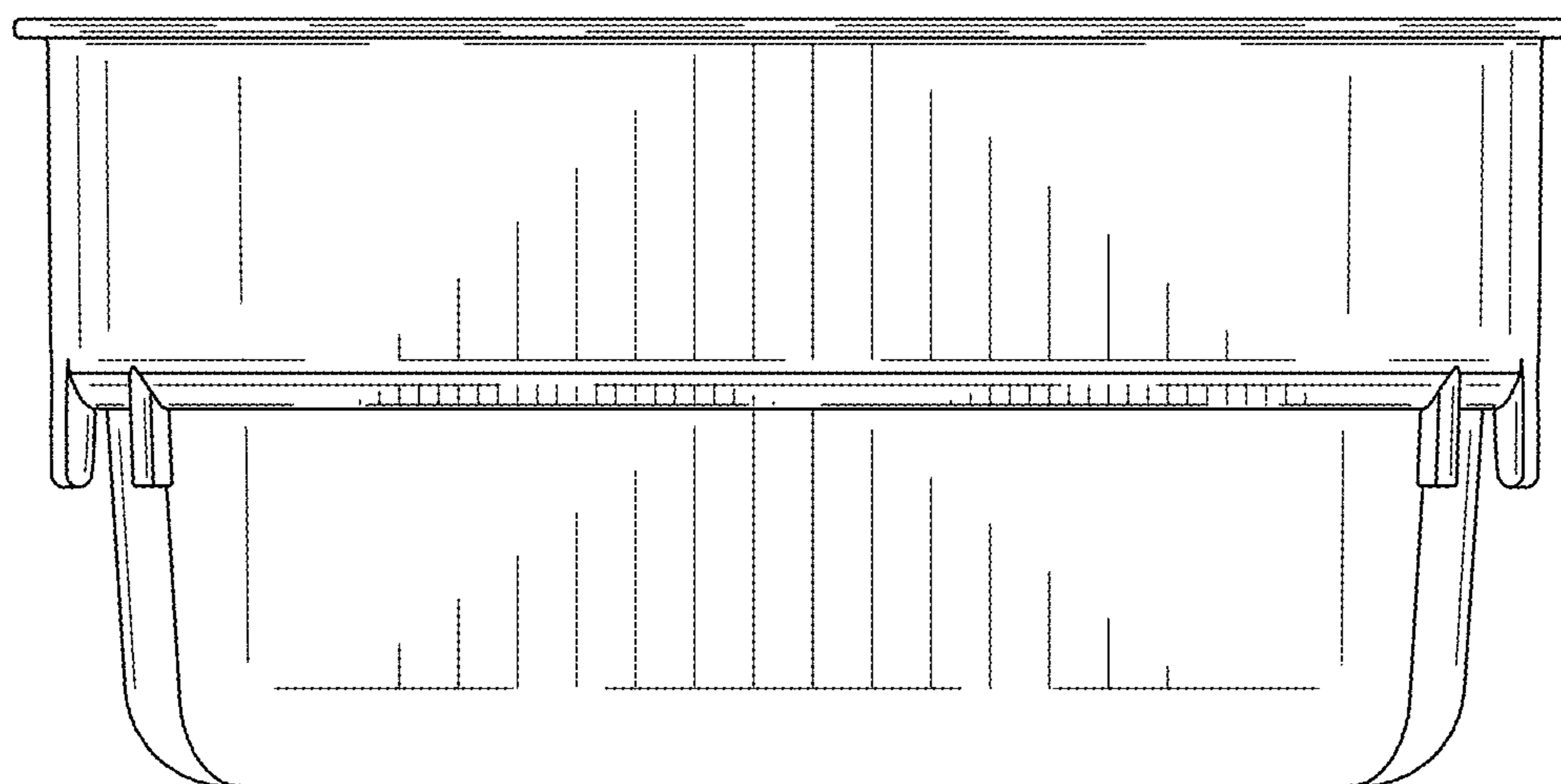


FIG. 5

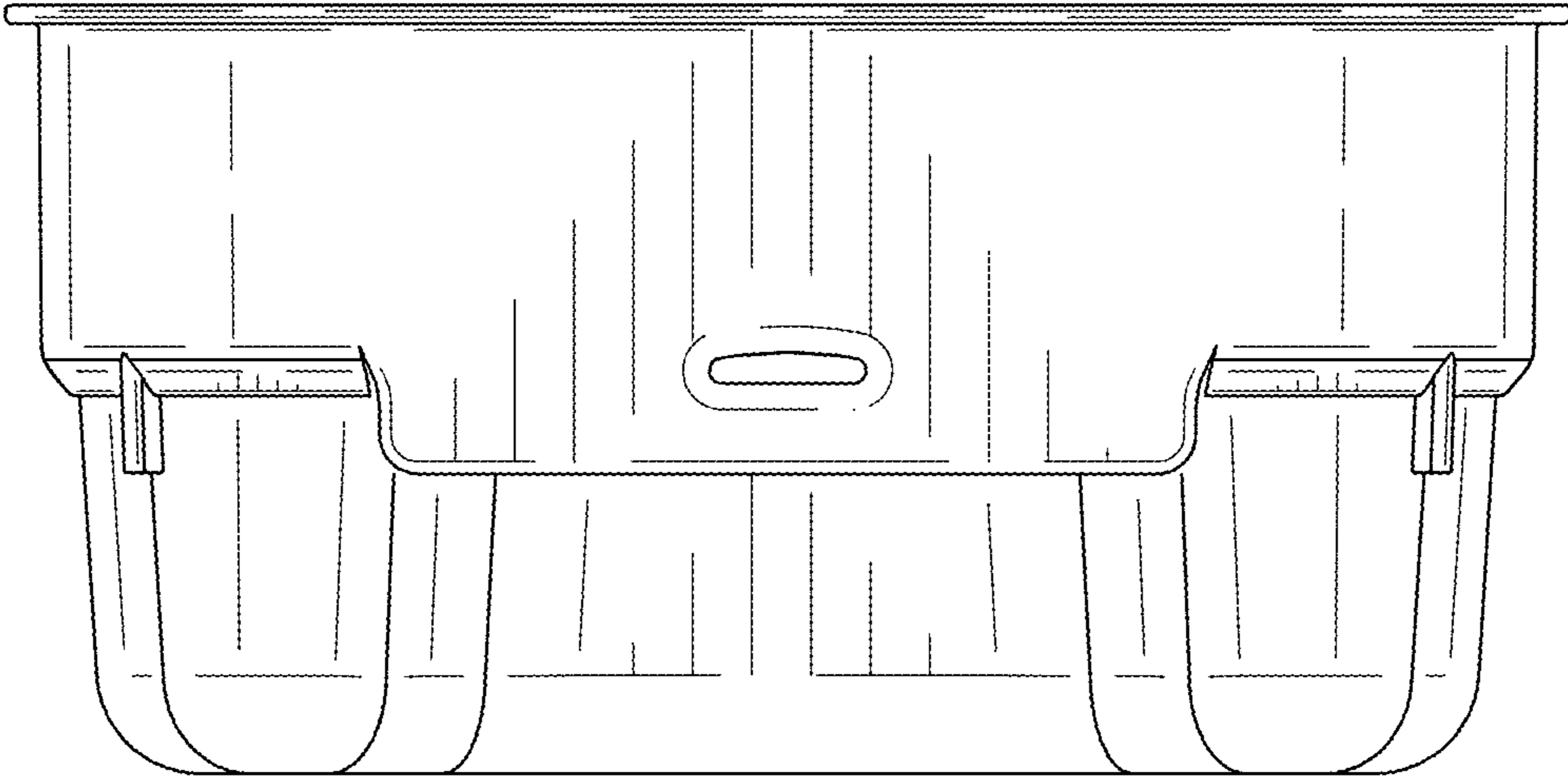


FIG. 6

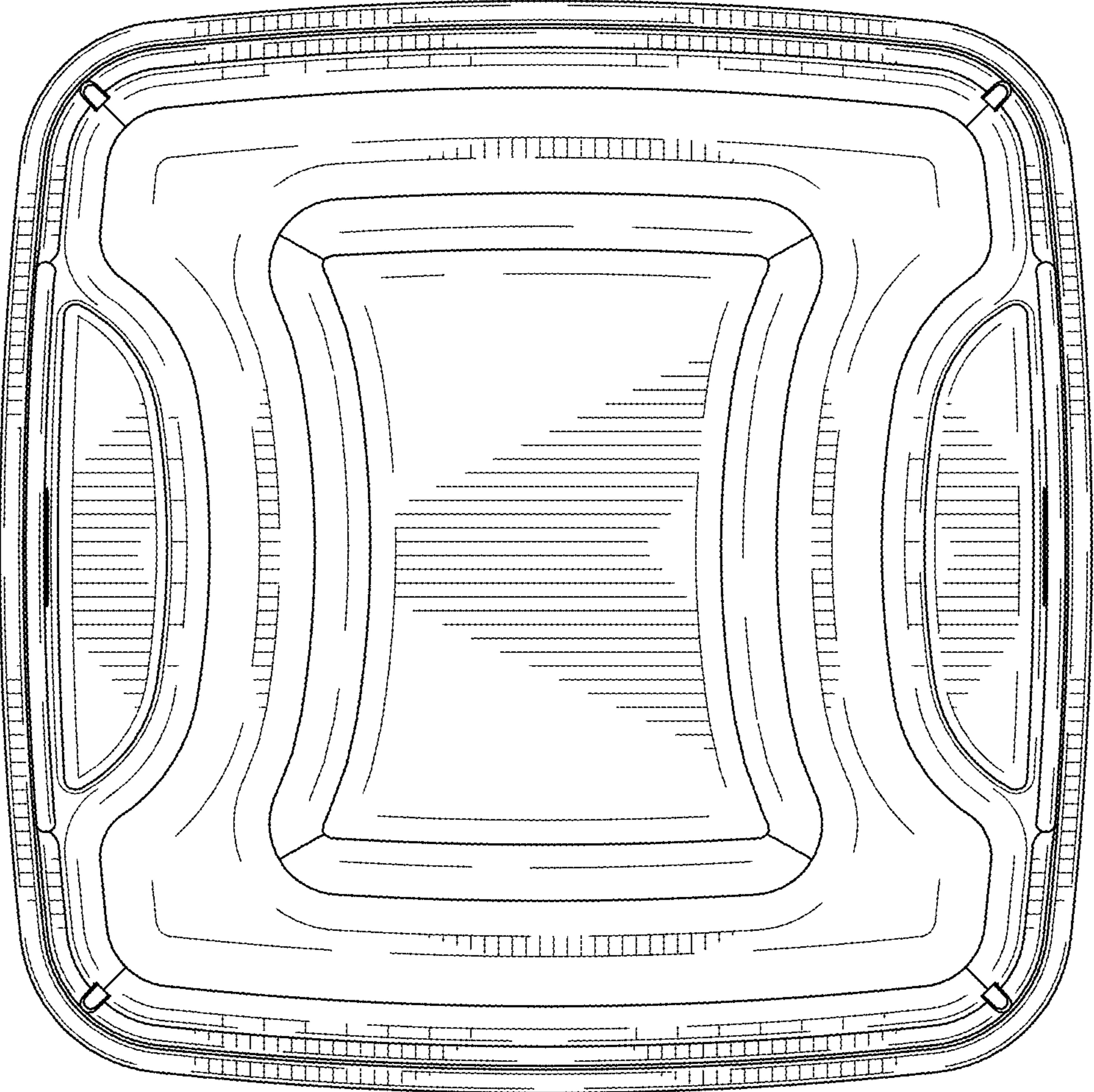


FIG. 7

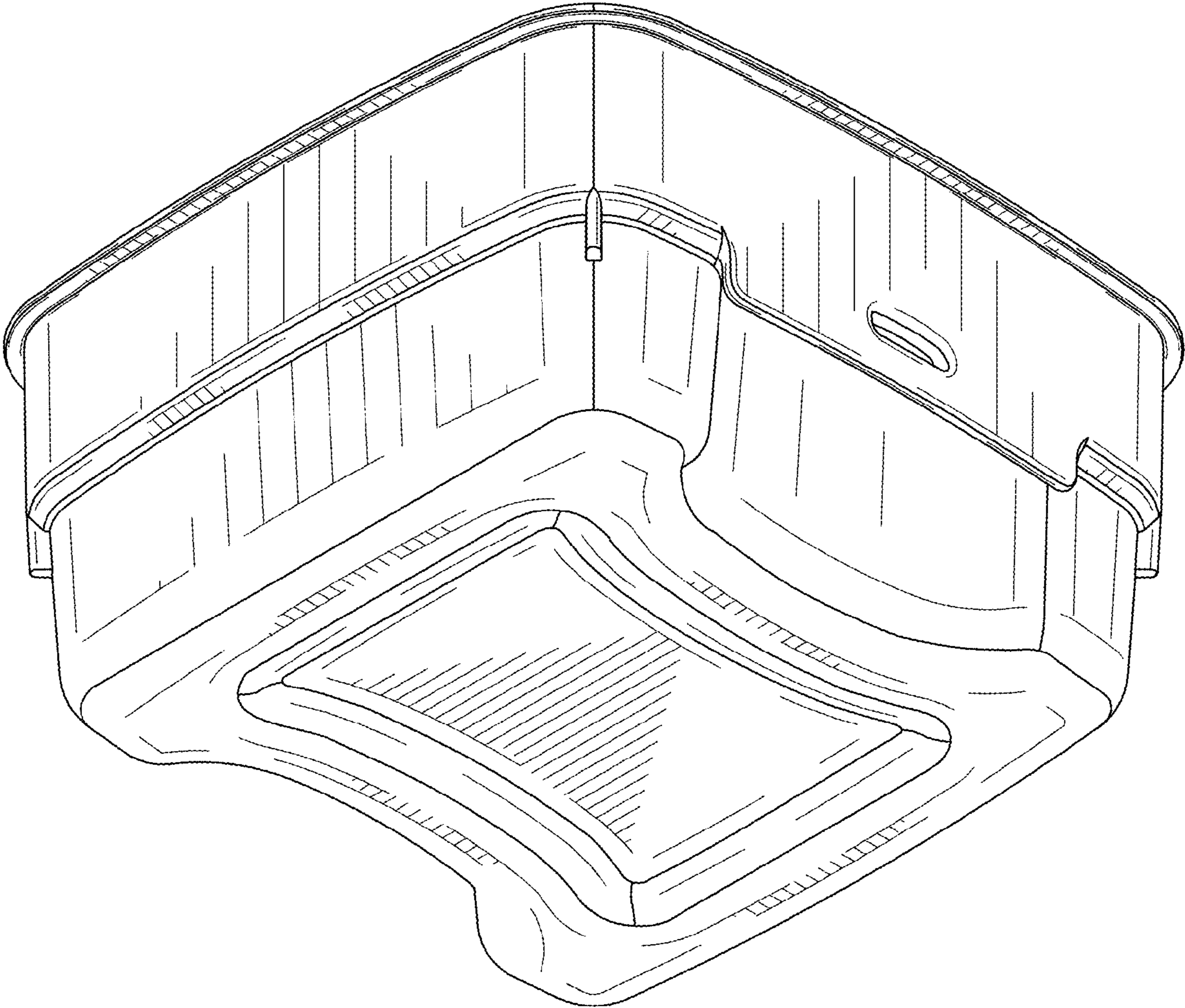


FIG. 8