



US00D937633S

(12) **United States Design Patent**
Zheng

(10) **Patent No.:** **US D937,633 S**

(45) **Date of Patent:** **** Dec. 7, 2021**

(54) **COFFEE CUP HOLDER**

(71) Applicant: **Jiena Zheng**, Hangzhou (CN)

(72) Inventor: **Jiena Zheng**, Hangzhou (CN)

(**) Term: **15 Years**

(21) Appl. No.: **29/760,551**

(22) Filed: **Dec. 2, 2020**

(51) **LOC (13) Cl.** **07-01**

(52) **U.S. Cl.**
USPC **D7/544**; D7/619.1

(58) **Field of Classification Search**
USPC D7/705, 500, 543, 622, 704, 602, 533,
D7/619.1, 544; 220/756; 248/145.6
CPC A47G 23/0216; A47G 23/0266; A61J
9/0623; A01K 97/10

See application file for complete search history.

(56) **References Cited**

U.S. PATENT DOCUMENTS

- 556,337 A * 3/1896 Dawes A47G 23/0266
248/145.6
- D31,666 S * 10/1899 Steppe D7/366
- D81,436 S * 6/1930 Dew et al. D6/403
- D250,804 S 1/1979 Nilsson
- D307,851 S * 5/1990 Polidoros D34/6
- 4,941,579 A * 7/1990 Lee A61J 9/0623
215/11.1
- D323,598 S * 2/1992 Sambinelli D7/317
- D375,229 S * 11/1996 DiBella A47G 23/0216
D7/619.1
- D458,074 S * 6/2002 Bodum D7/317
- D458,505 S * 6/2002 Bodum D7/317

- D589,873 S * 4/2009 Banks D12/411
- D605,039 S * 12/2009 Yeh D9/455
- D613,559 S * 4/2010 Goodman D7/601
- D645,308 S 9/2011 Palmby
- D670,542 S 11/2012 Lee
- 8,430,366 B2 * 4/2013 Tincher A01K 97/10
248/214
- D709,738 S 7/2014 Weinert et al.
- D757,438 S 5/2016 Eskandry
- D765,475 S * 9/2016 Khaitan D7/601
- D781,660 S 3/2017 Chen
- D867,827 S 11/2019 Greengrass et al.
- D872,598 S 1/2020 Grove
- D877,045 S 3/2020 Johnson et al.
- D893,957 S * 8/2020 Mandel D7/619.1

* cited by examiner

Primary Examiner — Cynthia R Underwood
(74) *Attorney, Agent, or Firm* — Law Offices of Steven
W. Weinrieb

(57) **CLAIM**

The ornamental design for a coffee cup holder, as shown and described.

DESCRIPTION

FIG. 1 is a front, right side, top perspective view of a coffee cup holder showing my new design;
FIG. 2 is a front elevational view thereof;
FIG. 3 is a rear elevational view thereof;
FIG. 4 is a left side elevational view thereof;
FIG. 5 is a right side elevational view thereof;
FIG. 6 is a top plan view thereof; and,
FIG. 7 is a bottom plan view thereof.

1 Claim, 7 Drawing Sheets





FIG.1

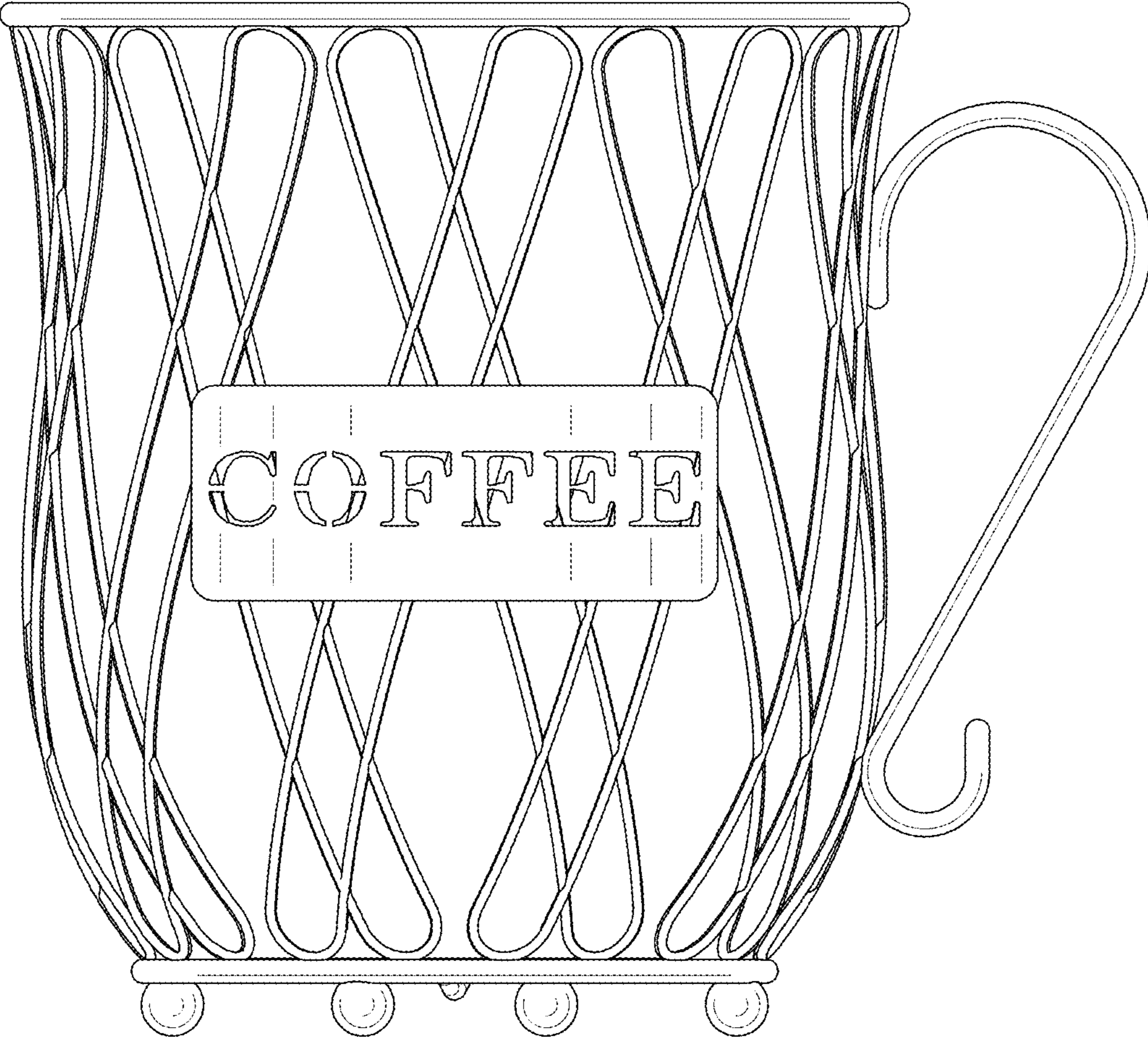


FIG.2

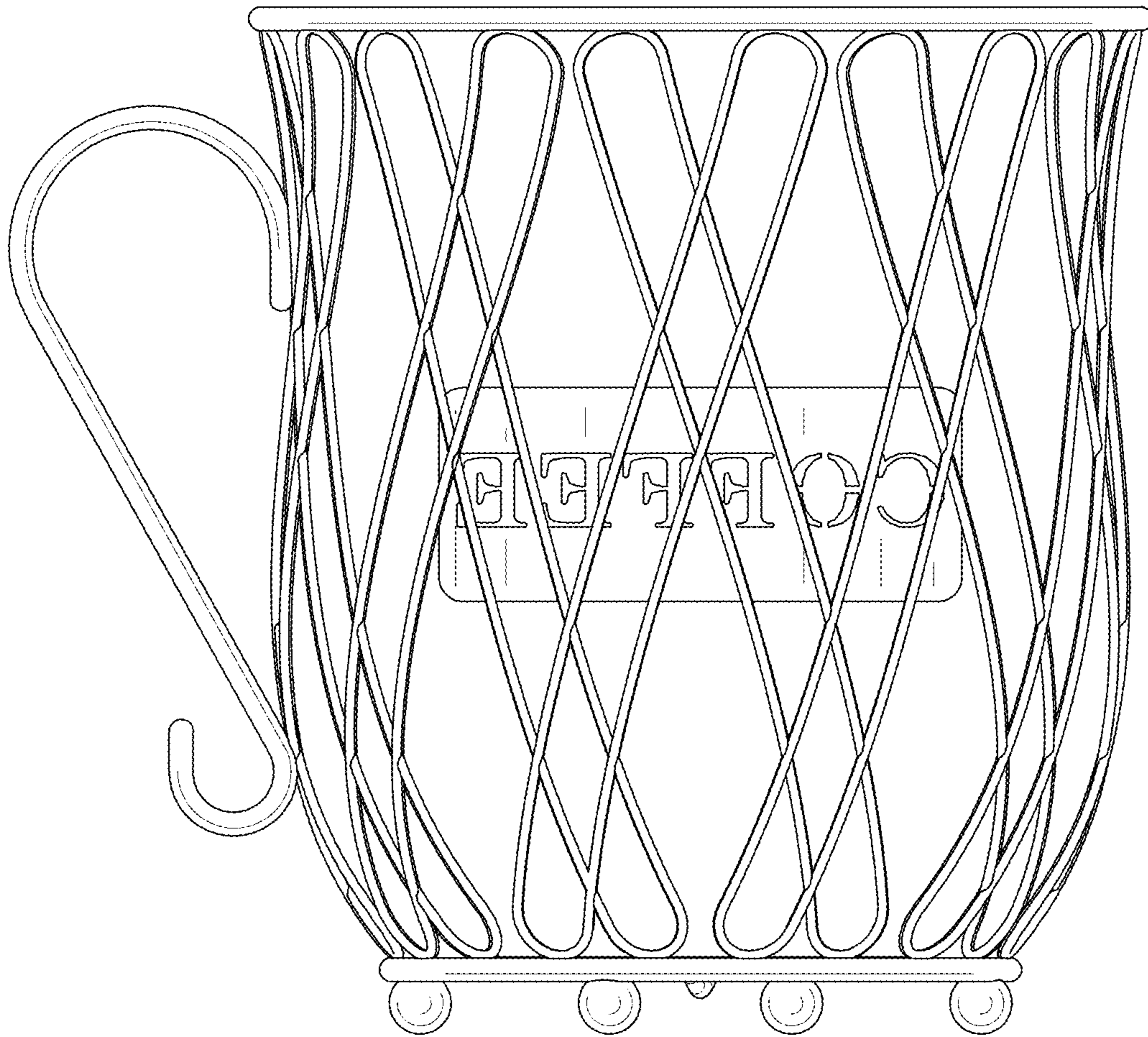


FIG.3

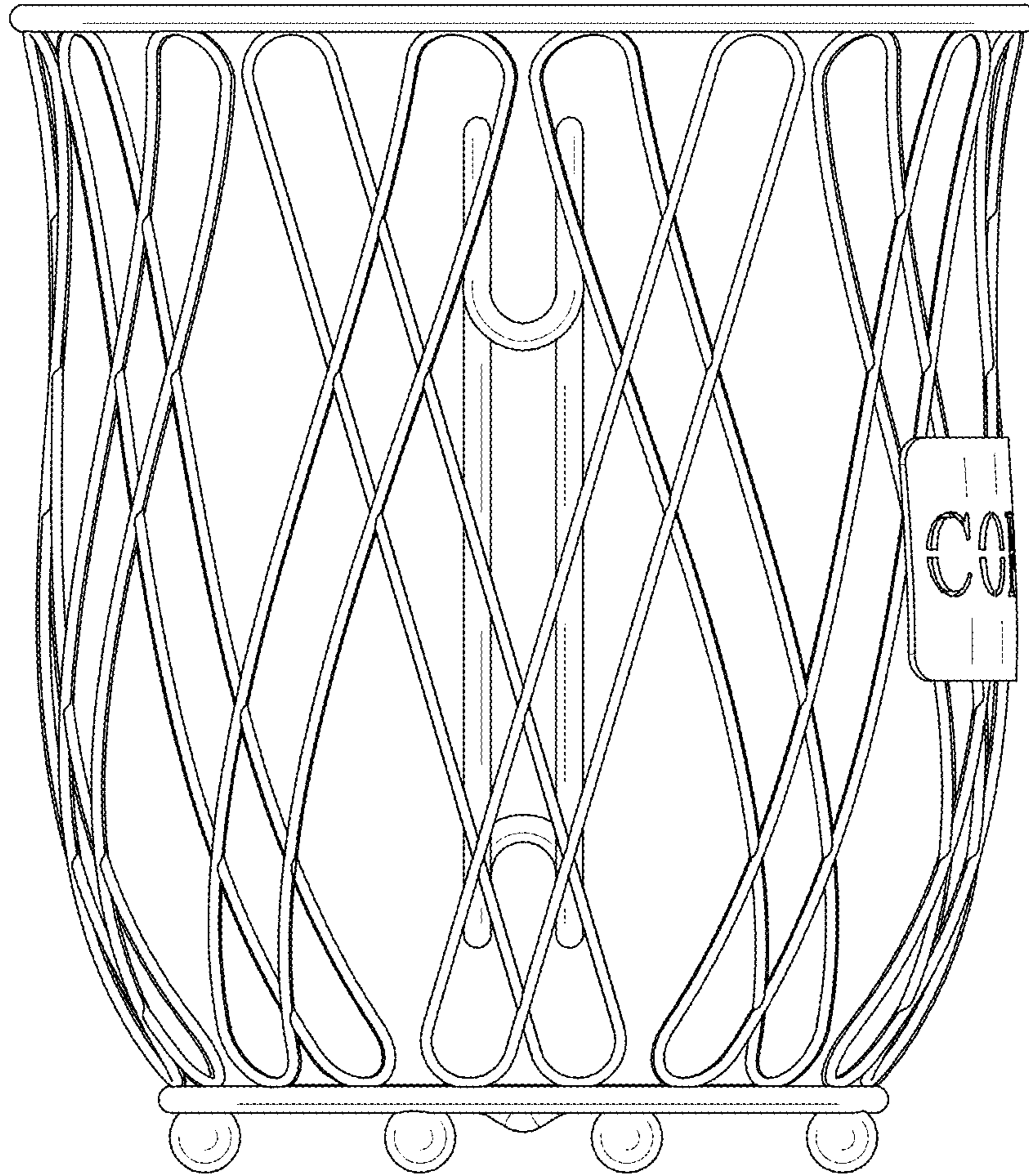


FIG.4

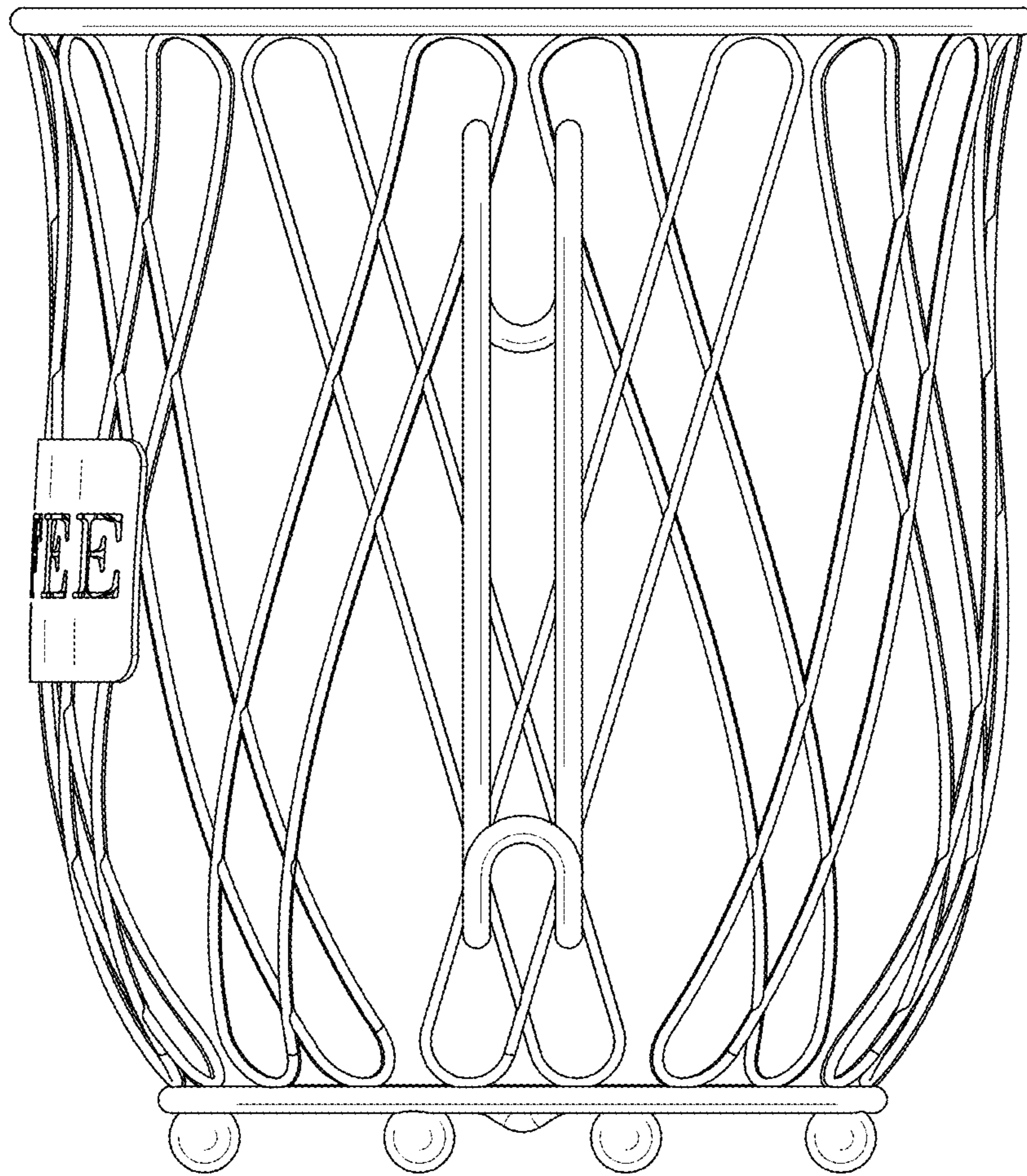


FIG.5

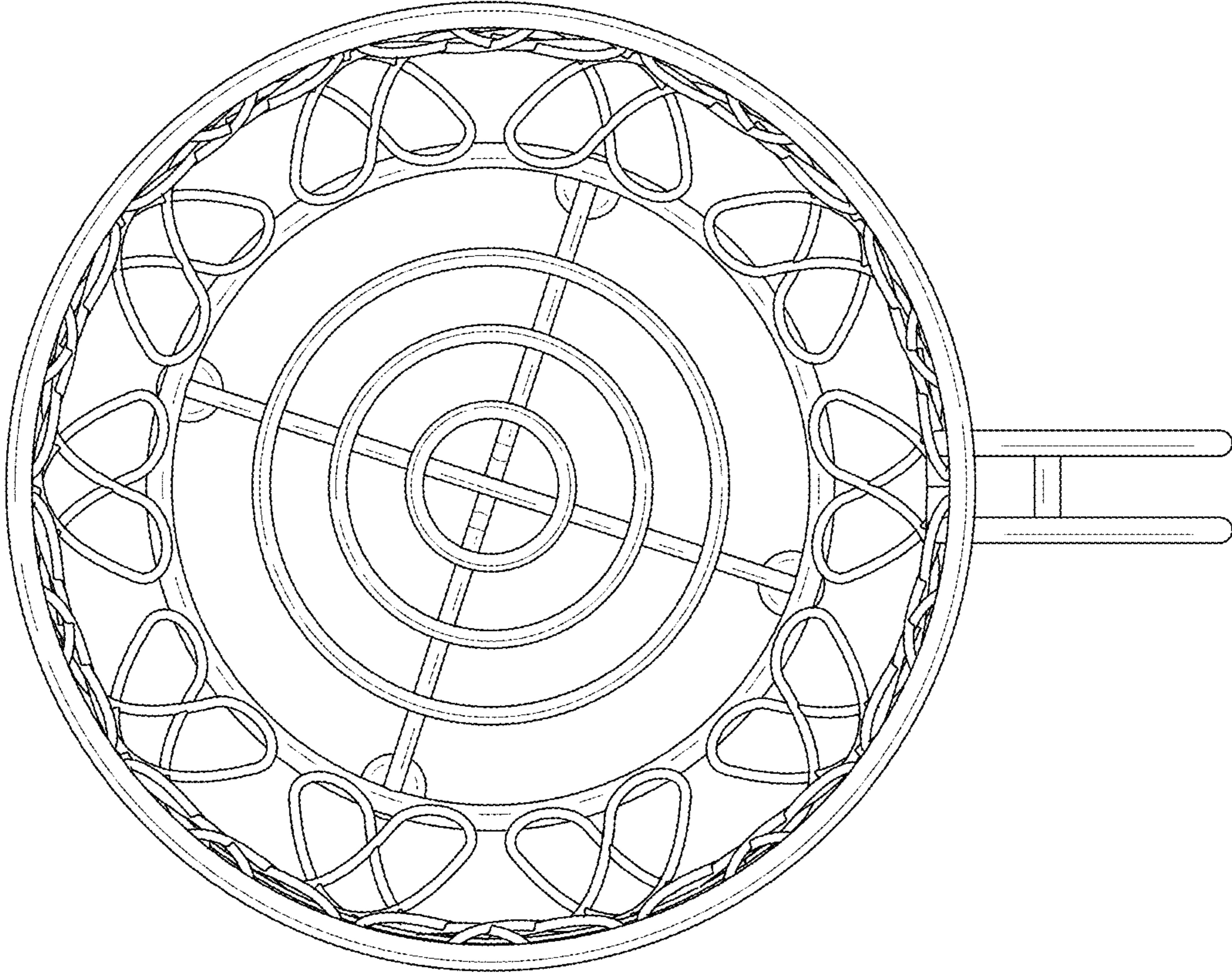


FIG.6

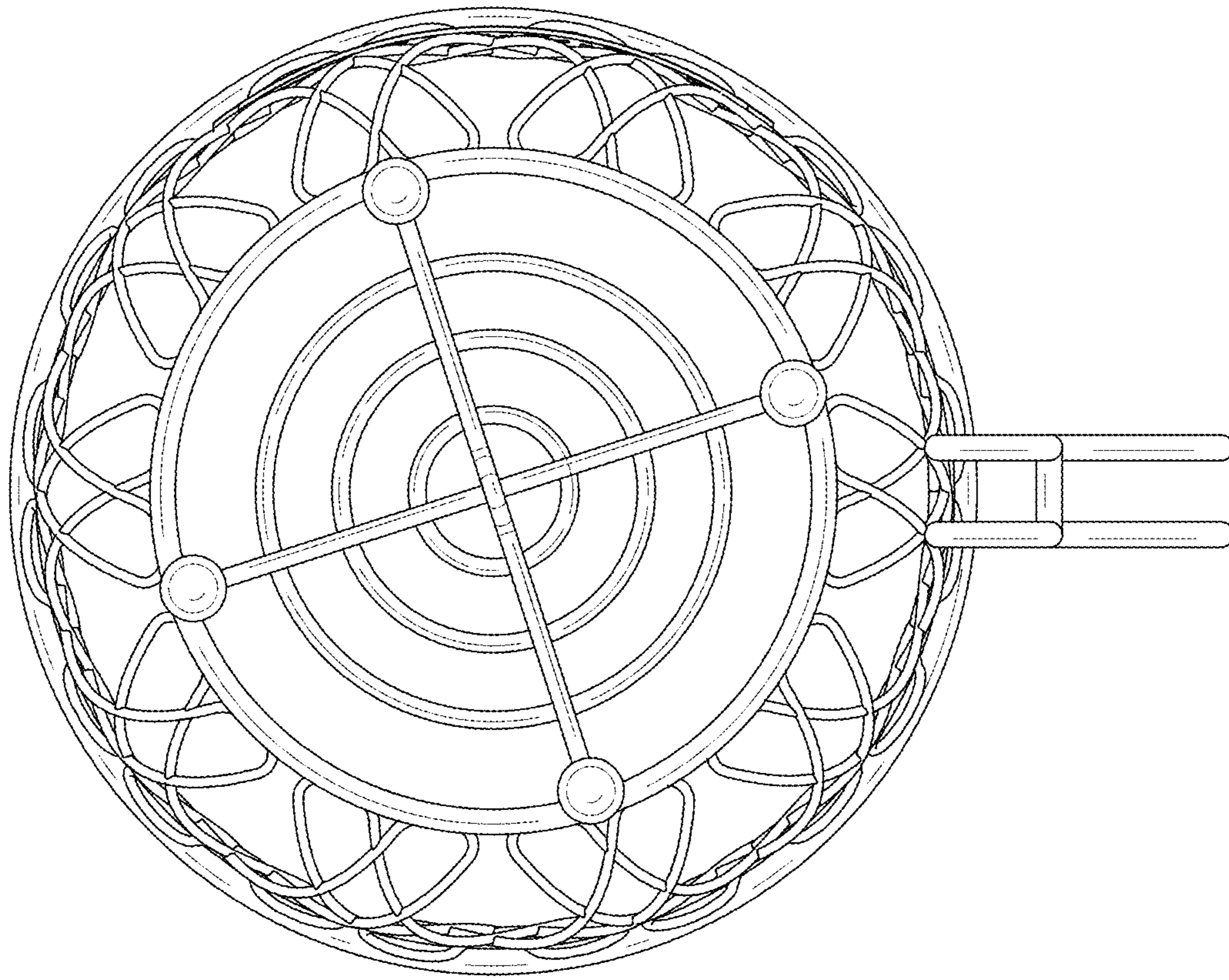


FIG.7