



US00D937630S

(12) **United States Design Patent** (10) **Patent No.:** **US D937,630 S**  
**Eisen** (45) **Date of Patent:** **\*\* Dec. 7, 2021**

(54) **WATER BOTTLE**

(71) Applicant: **VitaJuwel GmbH, Scheidegg (DE)**

(72) Inventor: **Ewald Eisen, Scheidegg (DE)**

(73) Assignee: **VitaJuwel GmbH, Scheidegg (DE)**

(\*\*) Term: **15 Years**

(21) Appl. No.: **29/699,405**

(22) Filed: **Jul. 25, 2019**

(30) **Foreign Application Priority Data**

Jan. 25, 2019	(DE)	.....	402019100108-0001
Jan. 25, 2019	(DE)	.....	402019100108-0002
Jan. 25, 2019	(DE)	.....	402019100108-0003
Jan. 25, 2019	(DE)	.....	402019100108-0004
Jan. 25, 2019	(DE)	.....	402019100108-0005
Jan. 25, 2019	(DE)	.....	402019100108-0006
Jan. 25, 2019	(DE)	.....	402019100108-0007
Jan. 25, 2019	(DE)	.....	402019100108-0008

(51) **LOC (13) Cl.** ..... **07-01**

(52) **U.S. Cl.**

USPC ..... **D7/523; D7/532**

(58) **Field of Classification Search**

USPC ..... D7/507, 509, 510, 511, 529, 531, 532,  
D7/523, 533, 534, 535, 536, 392.1, 296.1,  
D7/396.2, 300.1, 608, 601, 602, 624.1,  
D7/624.2; D3/202; D26/9; D9/501,  
D9/503, 504

CPC ..... A47G 19/22; A47G 19/2288; A47G  
19/2205; A47J 41/0077; A47J 41/0088

See application file for complete search history.

(56) **References Cited**

**U.S. PATENT DOCUMENTS**

4,494,668	A *	1/1985	Lottick	.....	A47G 19/2266 215/229
D485,759	S *	1/2004	Janky	.....	D7/392.1

D604,103	S *	11/2009	Alviar	.....	D7/510
D608,140	S *	1/2010	Gilbert	.....	D7/396.2
D623,017	S *	9/2010	George	.....	D7/510
D632,132	S *	2/2011	George	.....	D7/510
D643,245	S *	8/2011	Minarsch	.....	D7/392.1
D667,265	S *	9/2012	George	.....	D7/396.2
8,365,941	B2 *	2/2013	Mayer	.....	B65D 1/06 220/259.3
D717,115	S *	11/2014	Lane	.....	D7/511

(Continued)

**OTHER PUBLICATIONS**

[https://www.amazon.com/dp/B07ZBJNMBX/ref=cm\\_sw\\_em\\_r\\_mt\\_dp\\_HMG704FH0T4RN6PVFR?\\_encoding=UTF8&psc=1](https://www.amazon.com/dp/B07ZBJNMBX/ref=cm_sw_em_r_mt_dp_HMG704FH0T4RN6PVFR?_encoding=UTF8&psc=1)  
VitaJuwel Inu (Year: 2019).\*

(Continued)

*Primary Examiner* — Jae Liang

(74) *Attorney, Agent, or Firm* — Bachman and LaPointe  
PC; George Coury

(57) **CLAIM**

The ornamental design for a water bottle, as shown and described.

**DESCRIPTION**

FIG. 1 is a front perspective view of a water bottle showing my new design;

FIG. 2 is a side view of the design of FIG. 1;

FIG. 3 is a side view rotated 90° from that of FIG. 2 showing the design of FIG. 1;

FIG. 4 is a top view showing the design of FIG. 1;

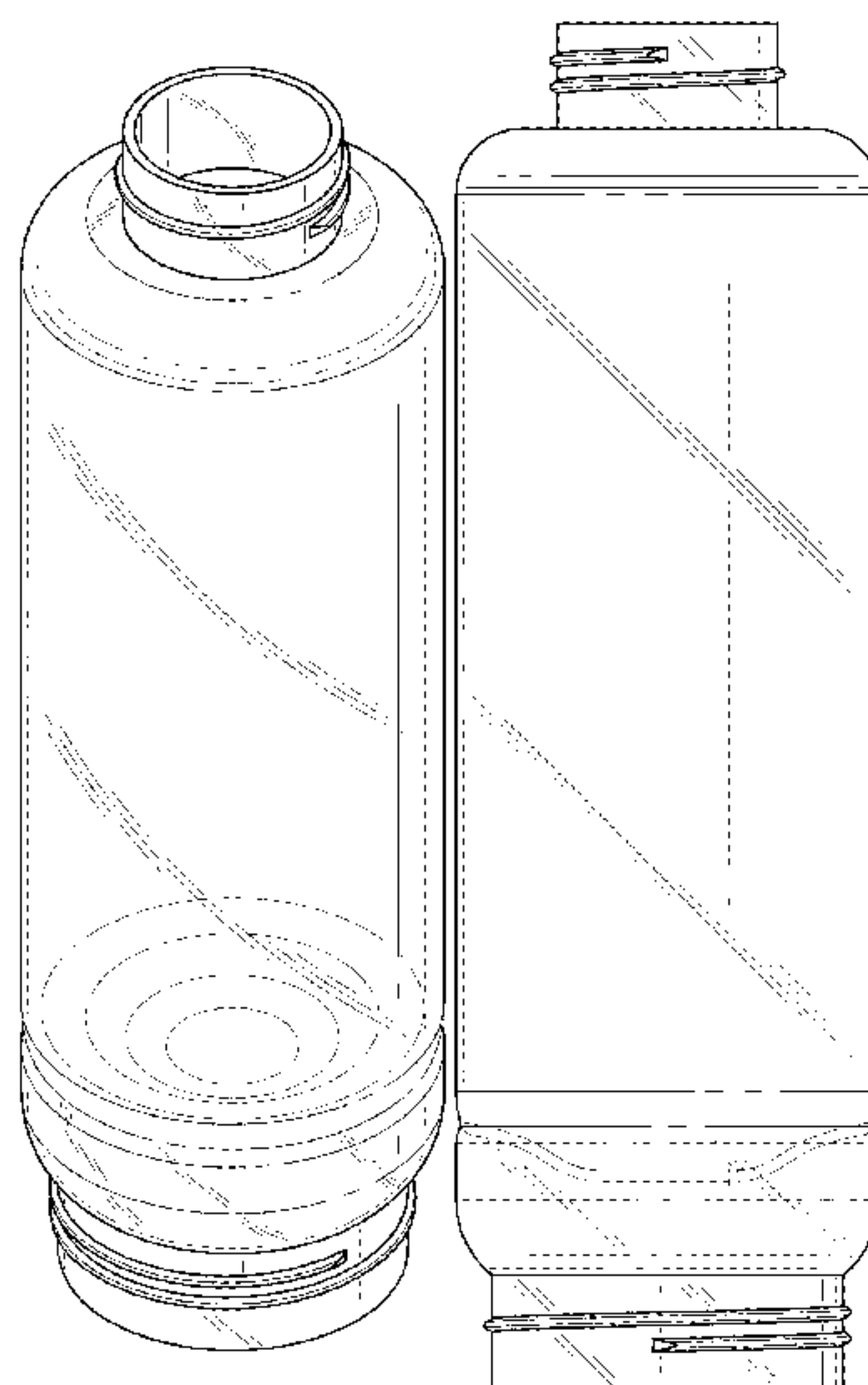
FIG. 5 is a bottom view showing the design of FIG. 1;

FIG. 6 is a cross sectional view taken along the lines 6-6 in FIG. 2 to further illustrate a portion of the design; and,

FIG. 7 is a sectional view taken along the lines 7-7 of FIG. 2 to further illustrate the design.

The broken lines in the drawings depict bounds of the cross sectional view only and form no part of the claimed design.

**1 Claim, 5 Drawing Sheets**



(56)

**References Cited**

U.S. PATENT DOCUMENTS

D721,540 S \* 1/2015 Grcic ..... D7/511  
 D725,965 S \* 4/2015 Bo ..... D7/510  
 D786,620 S \* 5/2017 Nickley ..... D7/511  
 D803,684 S \* 11/2017 Seiders ..... D9/449  
 D823,641 S \* 7/2018 Bodum ..... D7/510  
 D834,882 S \* 12/2018 Seiders ..... D7/392.1  
 D853,194 S \* 7/2019 Ke ..... D7/507  
 D863,876 S \* 10/2019 Alprin ..... D7/392.1  
 D886,514 S \* 6/2020 Kander ..... D7/392  
 D891,866 S \* 8/2020 Ames ..... D7/510  
 2008/0264959 A1 \* 10/2008 Unda ..... B65D 1/265  
 220/711  
 2012/0132658 A1 \* 5/2012 Dans ..... G01K 15/005  
 220/592.2  
 2017/0233138 A1 \* 8/2017 Campbell ..... B65D 43/0225  
 215/44  
 2018/0194520 A1 \* 7/2018 Lovern ..... A01N 25/34

OTHER PUBLICATIONS

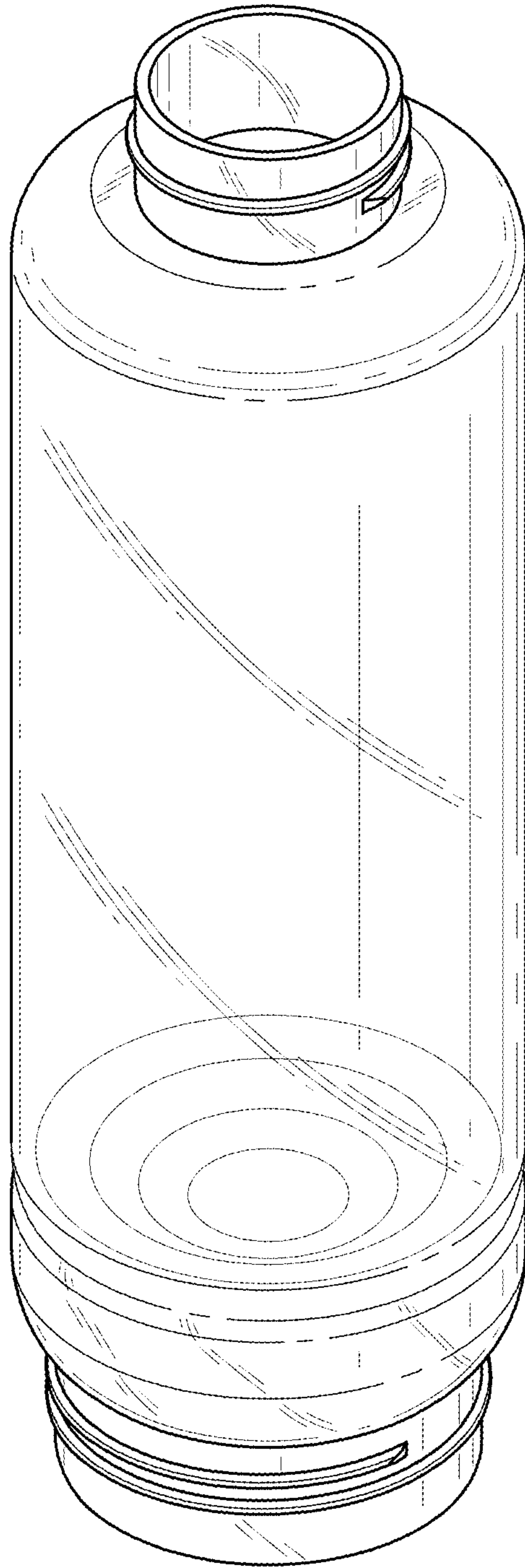
[https://www.amazon.com/VitaJuwel-ViA-GemWater-Bottle-Wellness/dp/B00U67NVNA/ref=sr\\_1\\_38?dchild=1&keywords=gem+bottle&qid=1611867310&sr=8-38](https://www.amazon.com/VitaJuwel-ViA-GemWater-Bottle-Wellness/dp/B00U67NVNA/ref=sr_1_38?dchild=1&keywords=gem+bottle&qid=1611867310&sr=8-38) (Year: 2015).\*

<https://www.amazon.com/Elixir2Go-Crystal-Elixir-Bottle-Protective/dp/B07DSR7KQY> (Year: 2017).\*

<https://www.orbit.com/?locale=en&ticket=a65af051-2b91-47d7-9605-ad64bdcc7b0b&embedded=false#DesignFullPage> (Year: 2020).\*

<https://www.orbit.com/?locale=en&ticket=a65af051-2b91-47d7-9605-ad64bdcc7b0b&embedded=false#DesignFullPage> (Year: 2019).\*

\* cited by examiner



*FIG. 1*

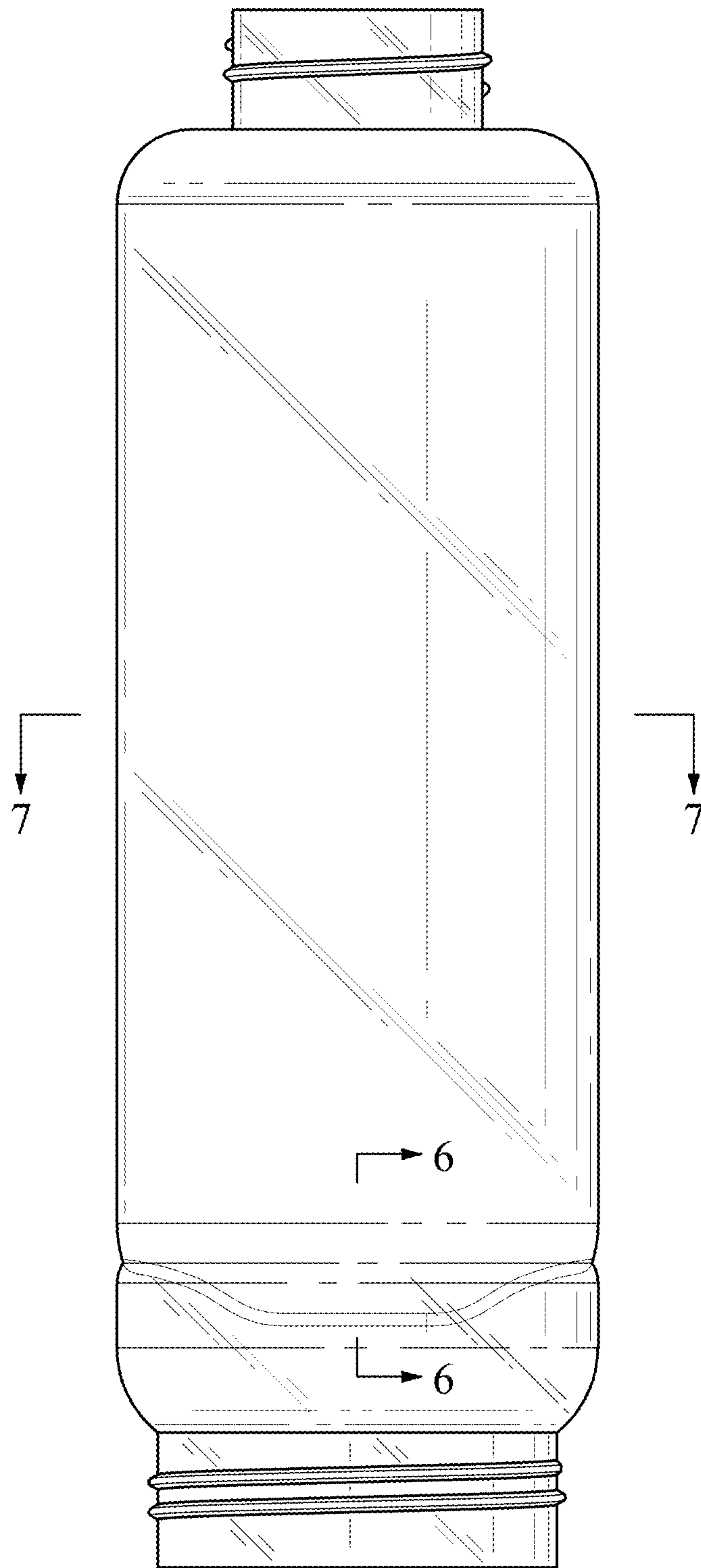
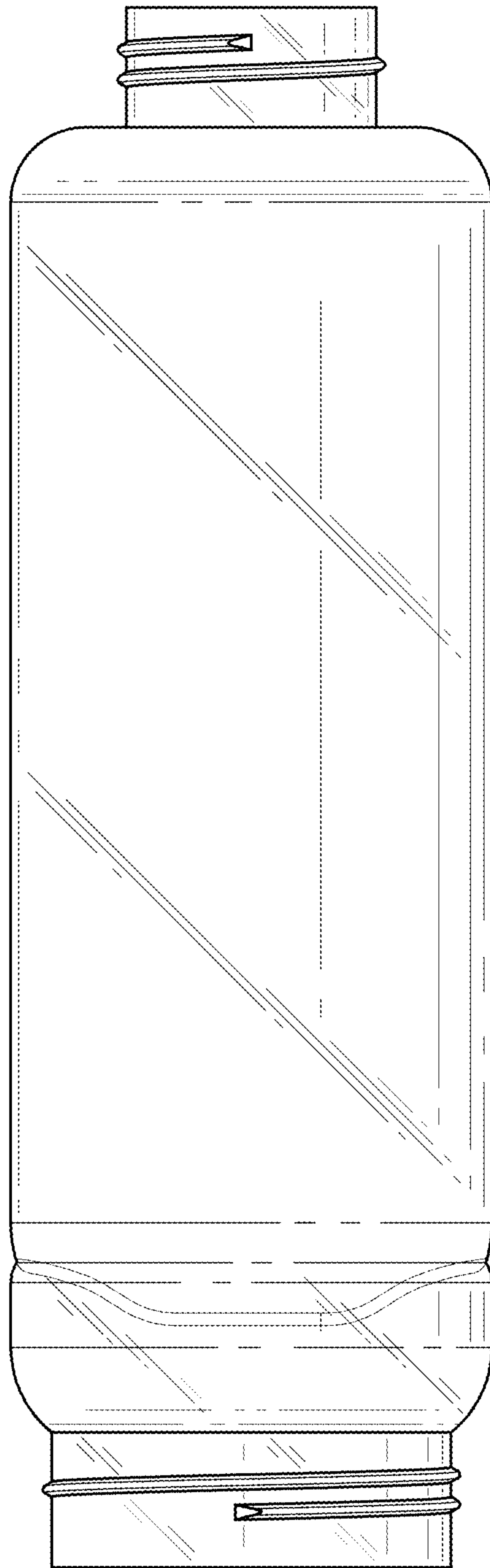
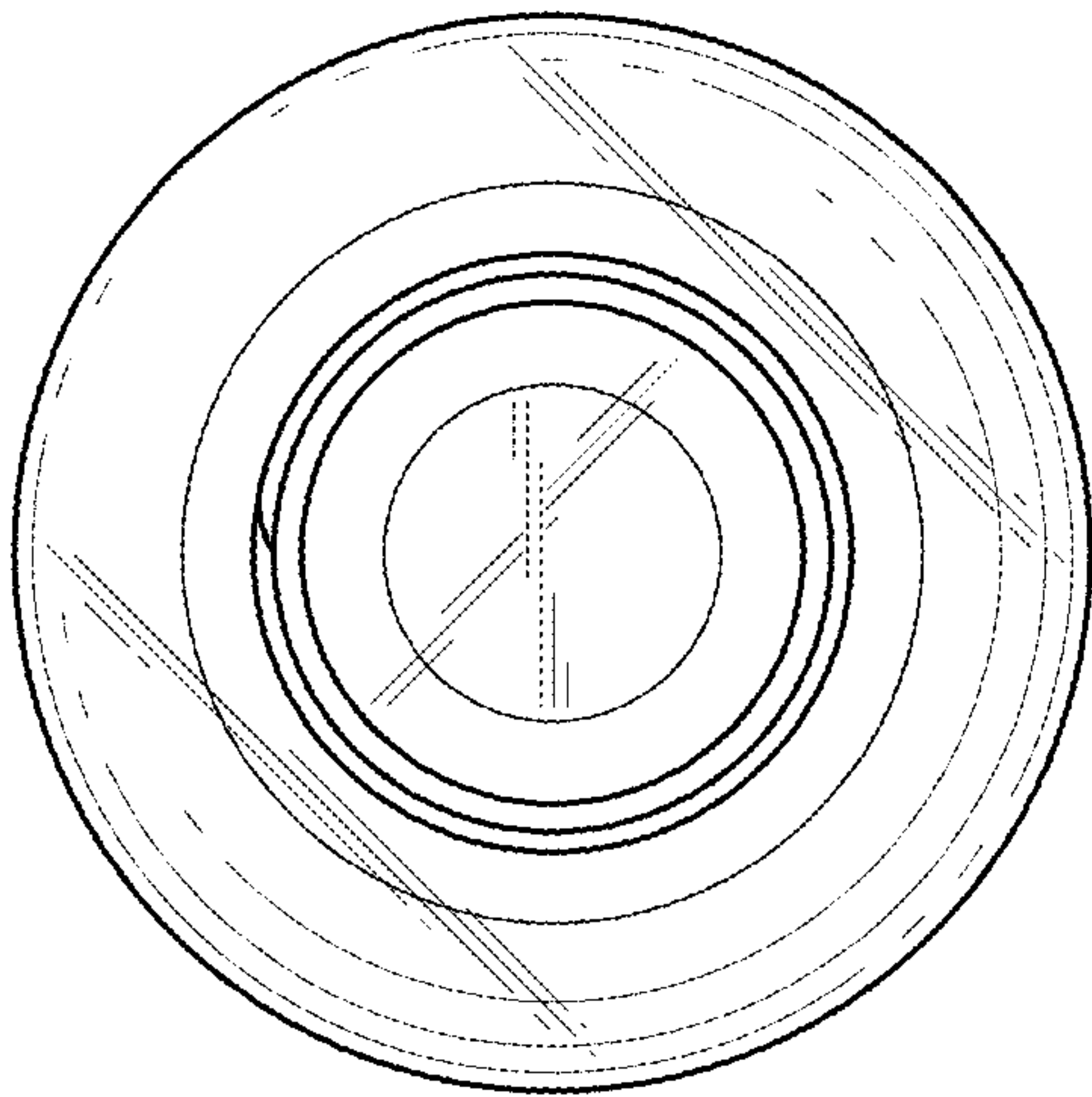


FIG. 2

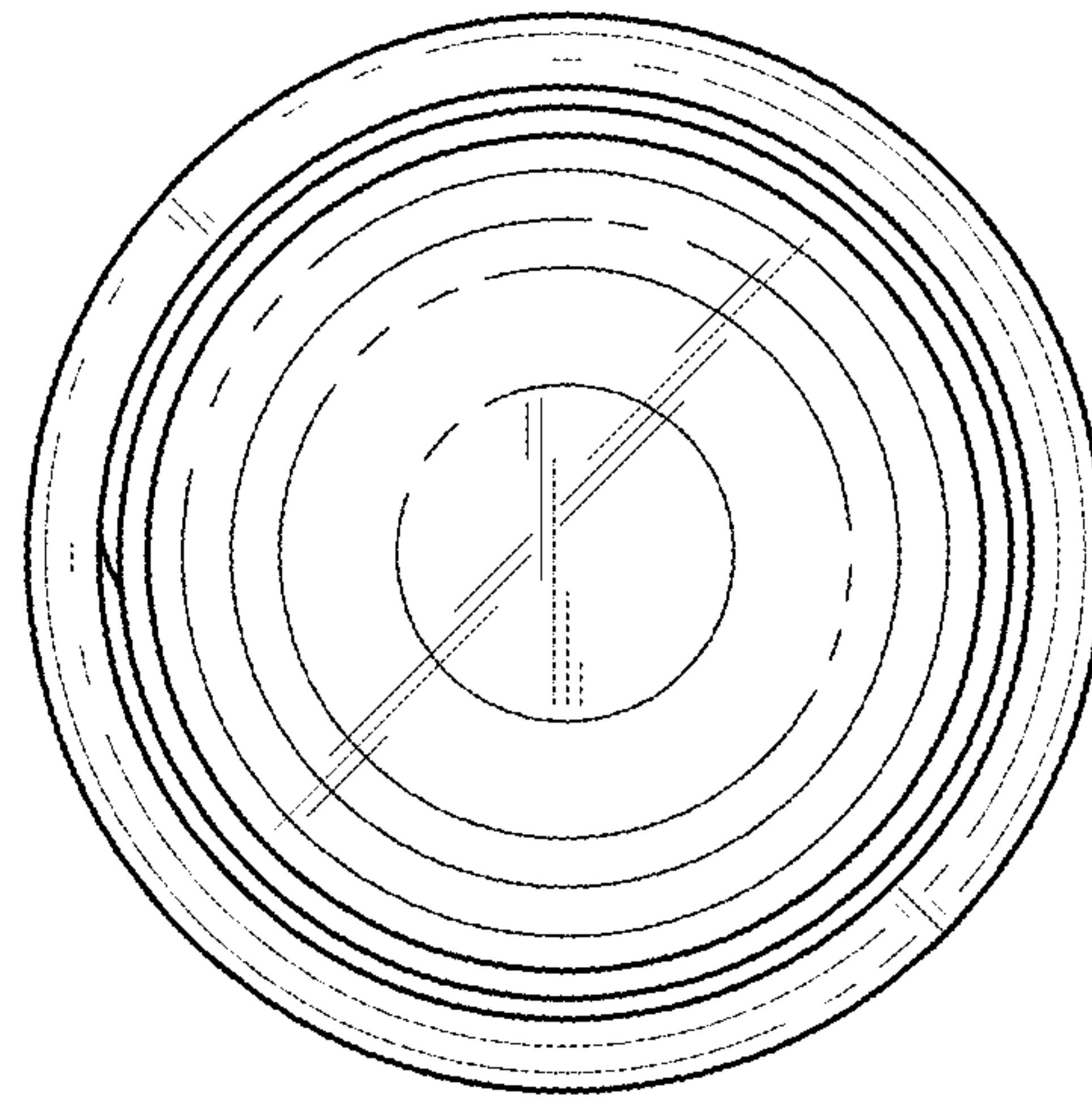


*FIG. 3*

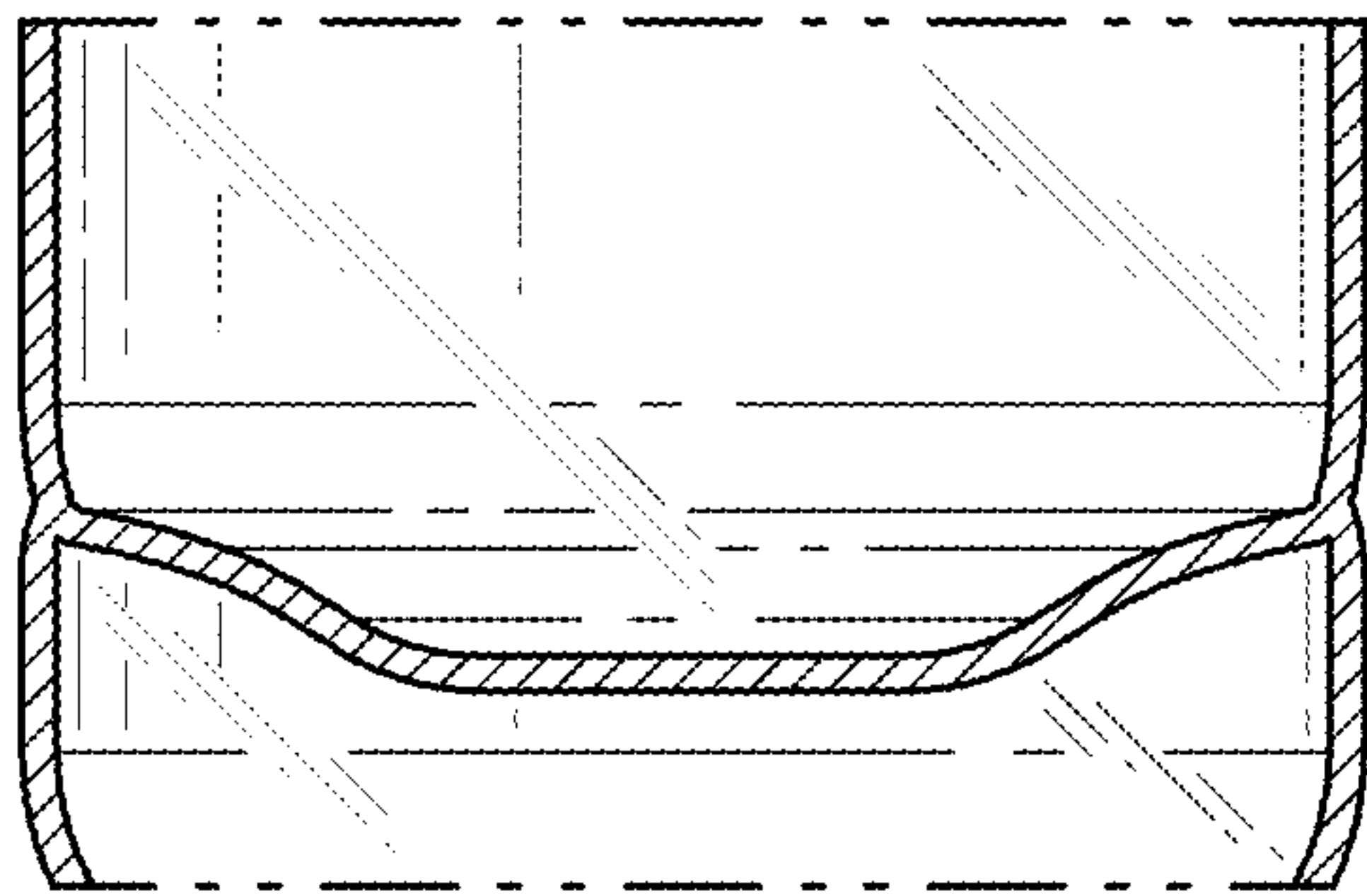




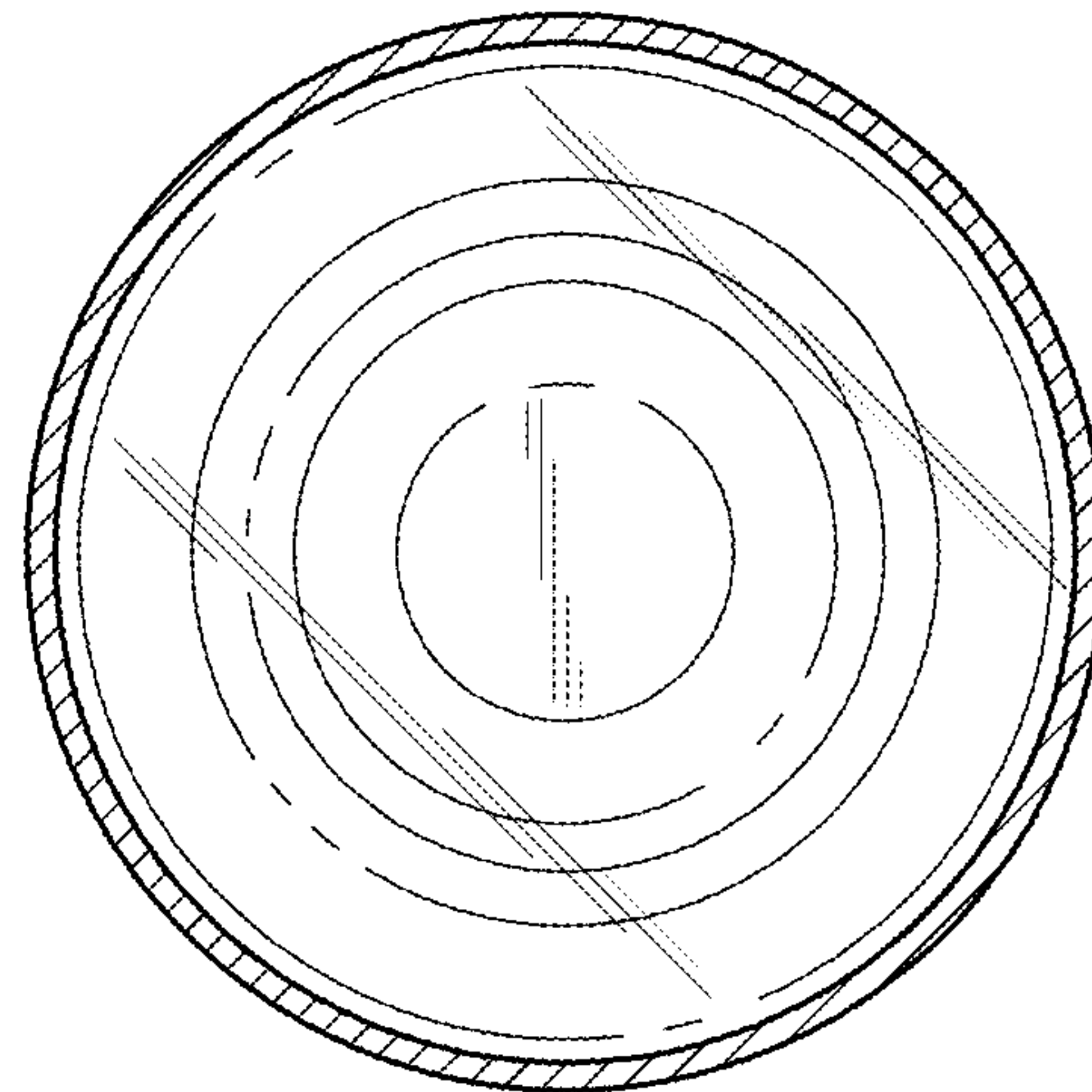
*FIG. 4*



*FIG. 5*



*FIG. 6*



*FIG. 7*