



US00D937629S

(12) **United States Design Patent** (10) **Patent No.:** **US D937,629 S**  
**Tsui** (45) **Date of Patent:** **\*\* Dec. 7, 2021**

(54) **COLLAPSIBLE CUP**  
(71) Applicant: **Sam Tung Tsui**, Kowloon (HK)  
(72) Inventor: **Sam Tung Tsui**, Kowloon (HK)  
(\*\*) Term: **15 Years**  
(21) Appl. No.: **29/755,244**  
(22) Filed: **Oct. 19, 2020**

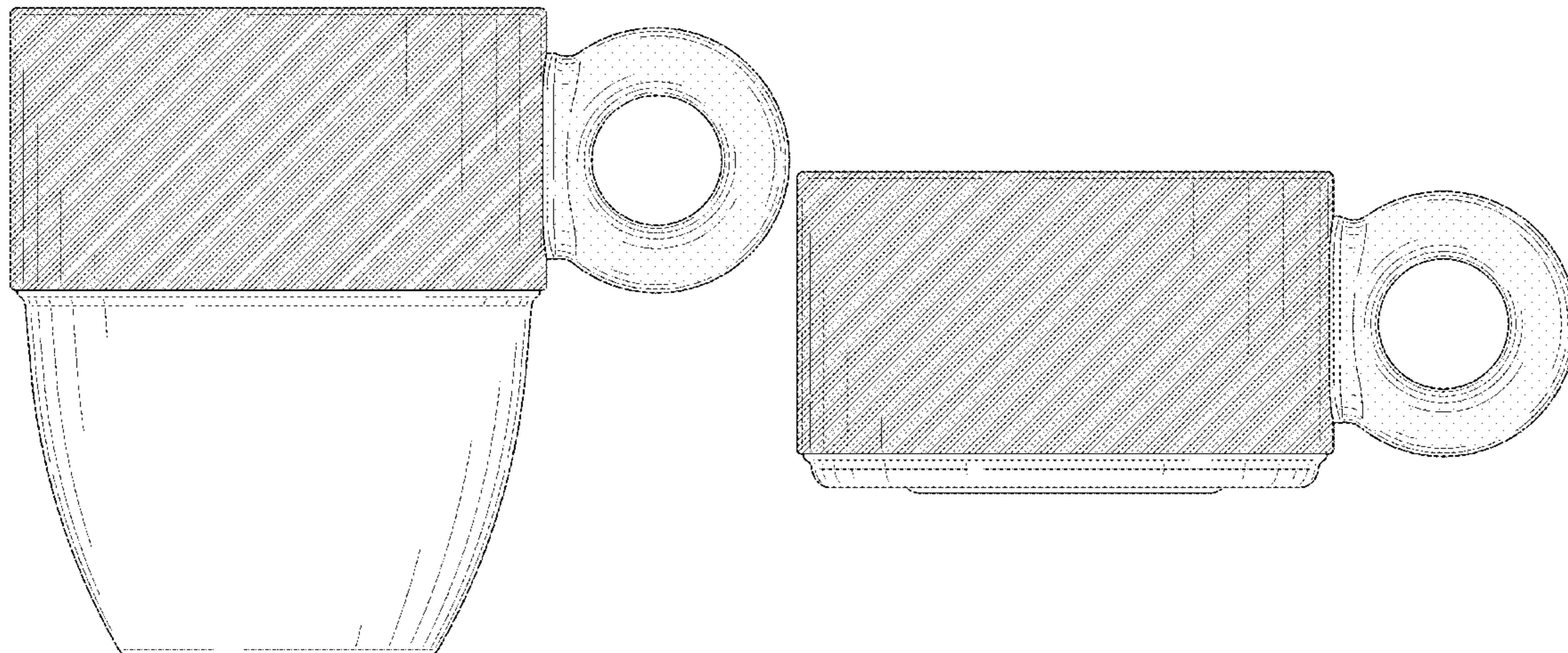
**Related U.S. Application Data**

(62) Division of application No. 29/685,862, filed on Apr. 1, 2019, now Pat. No. Des. 902,656.  
(51) **LOC (13) Cl.** ..... **07-01**  
(52) **U.S. Cl.**  
USPC ..... **D7/512; D7/533; D7/536**  
(58) **Field of Classification Search**  
USPC ..... D7/507, 509, 510, 511, 532, 523, 300.1, D7/300.2, 512, 529, 530, 531, 533, 536; D3/202, 303; D99/25; D9/567, 434, D9/568, 519  
CPC ..... A47G 19/22; A47G 19/2277; A47G 19/2205; A47G 19/2222; A47G 19/2211; A47J 41/0077; A45F 3/20; A45F 2003/205  
See application file for complete search history.

3,471,058 A	10/1969	Latham	
3,717,276 A	2/1973	Luczak	
D236,170 S	7/1975	Birrell	
D242,074 S	10/1976	Kulp	
4,428,507 A	1/1984	Sneider	
4,456,134 A	6/1984	Cooper	
4,492,313 A	1/1985	Touzani	
D282,134 S *	1/1986	Durand	D7/523
D283,387 S *	4/1986	Durand	D7/523
RE32,379 E	3/1987	Touzani	
D290,324 S *	6/1987	Ritman	D7/536
4,773,458 A	9/1988	Touzani	
D329,167 S	9/1992	Robbins, III	
D329,168 S	9/1992	Robbins, III	
D329,169 S	9/1992	Robbins, III	
D335,744 S	5/1993	Small	
D344,657 S	3/1994	Knopp	
5,310,068 A	5/1994	Saghri	
5,384,138 A	1/1995	Robbins, III et al.	
D356,713 S	3/1995	Groover	
D360,100 S	7/1995	Van Den Berghe	
5,439,128 A *	8/1995	Fishman	A45F 3/20 206/218
D378,055 S	2/1997	Waldon	
D386,933 S	12/1997	Browne	
5,900,293 A	5/1999	Zettle	
D427,853 S *	7/2000	Kohlhase	D7/510
6,354,456 B2	3/2002	Rapson	
6,405,892 B1 *	6/2002	Volan	A47G 19/2288 215/12.1
D462,579 S *	9/2002	Janky	D7/510
D475,243 S *	6/2003	Trazzi	D7/523
D485,730 S *	1/2004	Thun	D7/511
6,705,471 B2	3/2004	Kataoka	
6,736,285 B2	5/2004	Stewart-Stand	
D511,072 S *	11/2005	Trombly	D7/523
D529,749 S	10/2006	Allen	
D545,132 S *	6/2007	Bhavnani	D7/536
D557,075 S *	12/2007	Lucaci	D7/500
D561,536 S *	2/2008	Virgilio	D7/509
D568,685 S *	5/2008	Bodum	D7/500
D574,673 S	8/2008	Tsui	
D597,377 S *	8/2009	Poindexter	D7/536
7,654,402 B2	2/2010	Kusuma et al.	
7,678,271 B2	3/2010	Curtin	
D615,826 S	5/2010	Tsui	
7,819,263 B1	10/2010	DiCarlo-Nelson	
D651,855 S *	1/2012	Elsaden	D7/536
D656,800 S	4/2012	Lee et al.	
D658,949 S	5/2012	Tsui	
D664,003 S *	7/2012	Nagoya	D7/512
8,215,230 B2	7/2012	Curtin	
8,215,509 B2	7/2012	Kuboi	

(56) **References Cited**  
U.S. PATENT DOCUMENTS

1,224,519 A	5/1917	Brenner et al.	
1,260,779 A	3/1918	Koos	
1,296,742 A	3/1919	Bevington	
1,574,495 A	2/1926	Look	
1,724,743 A	8/1929	Allen	
D110,613 S	7/1938	Doughty	
2,899,110 A	8/1959	Parker	
3,143,429 A	8/1964	Swanson	
3,220,544 A	11/1965	Lovell	
3,329,298 A	7/1967	Perry	
D210,307 S	2/1968	Branscum	
3,463,140 A *	8/1969	Rollor, Jr.	A47G 19/2288 126/246



D668,148	S	10/2012	Sory	
8,313,000	B1 *	11/2012	Tuan	B65D 25/282 220/6
D674,203	S *	1/2013	Rosa	D6/358
D692,715	S	11/2013	Tsui	
D706,134	S	6/2014	Sory	
D716,094	S	10/2014	Wang	
8,887,942	B2	11/2014	Miksovsky et al.	
D724,905	S	3/2015	Tsui	
D731,225	S	6/2015	Peterson	
9,044,082	B2	6/2015	Kusuma et al.	
9,119,507	B2	9/2015	Abrams	
D746,636	S *	1/2016	Anzalone	D7/536
D749,373	S	2/2016	Tsui	
9,296,508	B2	3/2016	Kanfer	
D763,043	S *	8/2016	Stevens	D7/523
D769,674	S *	10/2016	Goode	D7/507
D773,250	S *	12/2016	Miller	D7/523
D777,520	S	1/2017	Singlaub	
D779,886	S	2/2017	Singlaub	
D796,907	S *	9/2017	Bronwasser	D7/536
D802,852	S	11/2017	Baker	
D813,607	S *	3/2018	Nally	D7/536
9,969,521	B2	5/2018	Shen	
D832,051	S *	10/2018	Charleson	D7/512
10,124,942	B2	11/2018	Seiders	
10,393,564	B1 *	8/2019	Dabney	A45F 3/18
D871,151	S *	12/2019	Hudson	D7/532
10,493,328	B1 *	12/2019	Depcik	A63H 33/18
10,611,564	B1	4/2020	Stravitz	
D902,656	S	11/2020	Tsui	
2005/0017015	A1	1/2005	Higuchi	
2005/0127074	A1	6/2005	Kusuma	
2006/0096929	A1	5/2006	Repp et al.	
2006/0201945	A1	9/2006	Tedford	
2007/0023439	A1	2/2007	Vaughn	
2007/0290466	A1	12/2007	Lenz	
2009/0032153	A1	2/2009	Burnett	
2009/0050429	A1	2/2009	Adams, Jr.	
2010/0072166	A1	3/2010	Dickie	
2011/0036806	A1	2/2011	Gregg et al.	
2011/0248037	A1	10/2011	Fung	
2011/0272419	A1	11/2011	Vanderberg et al.	
2012/0205371	A1	8/2012	Lee	
2013/0032592	A1	2/2013	Lee	
2013/0075393	A1	3/2013	Haynie	
2013/0181000	A1 *	7/2013	Miksovsky	A45F 3/20 220/780
2013/0206800	A1	8/2013	Simonsen	
2013/0264340	A1 *	10/2013	Zens	B65B 1/02 220/8
2013/0277364	A1	10/2013	Kusuma et al.	
2013/0284753	A1	10/2013	Kellmann	
2015/0251795	A1	9/2015	Tsui	
2015/0251808	A1	9/2015	Tsui	
2015/0291309	A1	10/2015	McGregor	
2016/0159518	A1	6/2016	Hollis	
2016/0347503	A1	12/2016	Tsui	
2017/0050800	A1 *	2/2017	Gain	B65B 5/02
2020/0305619	A1	10/2020	Tsui	

FOREIGN PATENT DOCUMENTS

CN	204527899	U	8/2015
CN	206880538	U	1/2018
CN	207477319	U	6/2018

OTHER PUBLICATIONS

[https://www.amazon.com/Biosys-Laboratories-Collapsible-Unbreakable-Lightweight/dp/B08C7RSQGS/ref=sr\\_1\\_54?dchild=1&keywords=collapsible+cup&qid=1626296085&sr=8-54](https://www.amazon.com/Biosys-Laboratories-Collapsible-Unbreakable-Lightweight/dp/B08C7RSQGS/ref=sr_1_54?dchild=1&keywords=collapsible+cup&qid=1626296085&sr=8-54) (Year: 2020).\* ANTHROPOLOGIE; Stajo Collapsible Travel Cup; <https://www.anthropologie.com/shop/stajo-collapsible-travel-cup?category=SEARCHRESULTS&color=003>; pp. 1-4; Feb. 21, 2019.

INDIEGOGO; Stajo Biggie: Collapsible Leak-Proof Coffee Cup; Campaign Jun. 2, 2016; <https://www.indiegogo.com/projects/stajo-biggie-collapsible-leak-proof-coffee-cup/#/>; pp. 1-18.

Kickstarter; By Ben Melinger; Smash Cup: A reusable coffee cup that fits in your pocket; Kickstarter campaign funding period Jul. 8, 2014 through Aug. 7, 2014; <https://www.kickstarter.com/projects/melinger/smash-cup-a-reusable-coffee-cup-that-fits-in-your-pocket>; 13 pages; Feb. 21, 2019.

Blog-News; Posted By Jurrien Swarts; Stajo: The Collapsible Pocket Cup; <https://stajo.co/blogs/news>; 6 pages; Feb. 21, 2019.

Normann Copenhagen, Strainer blue, Funnel & Strainer, 6 pages, visited Dec. 19, 2013 at <https://www.normann-copenhagen.com/products/strainer>.

\* cited by examiner

Primary Examiner — Jae Liang

(74) Attorney, Agent, or Firm — Hinshaw & Culbertson LLP

(57) CLAIM

I claim the ornamental design for a collapsible cup, as shown and described.

DESCRIPTION

FIG. 1 is a top perspective view of a collapsible cup in an expanded position.

FIG. 2 is a front elevation view of the collapsible cup in the expanded position. The back elevation view of the collapsible cup in the expanded position is a mirror image of FIG. 2.

FIG. 3 is a right side elevation view of the collapsible cup in the expanded position.

FIG. 4 is a left side elevation view of the collapsible cup in the expanded position.

FIG. 5 is a top plan view of the collapsible cup in the expanded position.

FIG. 6 is a bottom plan view of the collapsible cup in the expanded position.

FIG. 7 is a cross-sectional view of the collapsible cup showing a section taken along line 7-7 in FIG. 5.

FIG. 8 is a top perspective view of the collapsible cup in a collapsed position.

FIG. 9 is a front elevation view of the collapsible cup in the collapsed position. The back elevation view of the collapsible cup in a collapsed position is a mirror image of FIG. 9.

FIG. 10 is a right side elevation view of the collapsible cup in the collapsed position.

FIG. 11 is a left side elevation view of the collapsible cup in the collapsed position.

FIG. 12 is a top plan view of the collapsible cup in the collapsed position.

FIG. 13 is a bottom plan view of collapsible cup in the collapsed position; and,

FIG. 14 is a cross-sectional view of the collapsible cup showing a section taken along line 14-14 in FIG. 12.

The diagonal shading using solid lines of varying darkness in the cross-sectional views indicate a cross-section.

The diagonal shading using solid lines of the same darkness indicate a metallic appearance.

The dashed lines depict planes for sectional views that form no part of the claimed design.

1 Claim, 13 Drawing Sheets

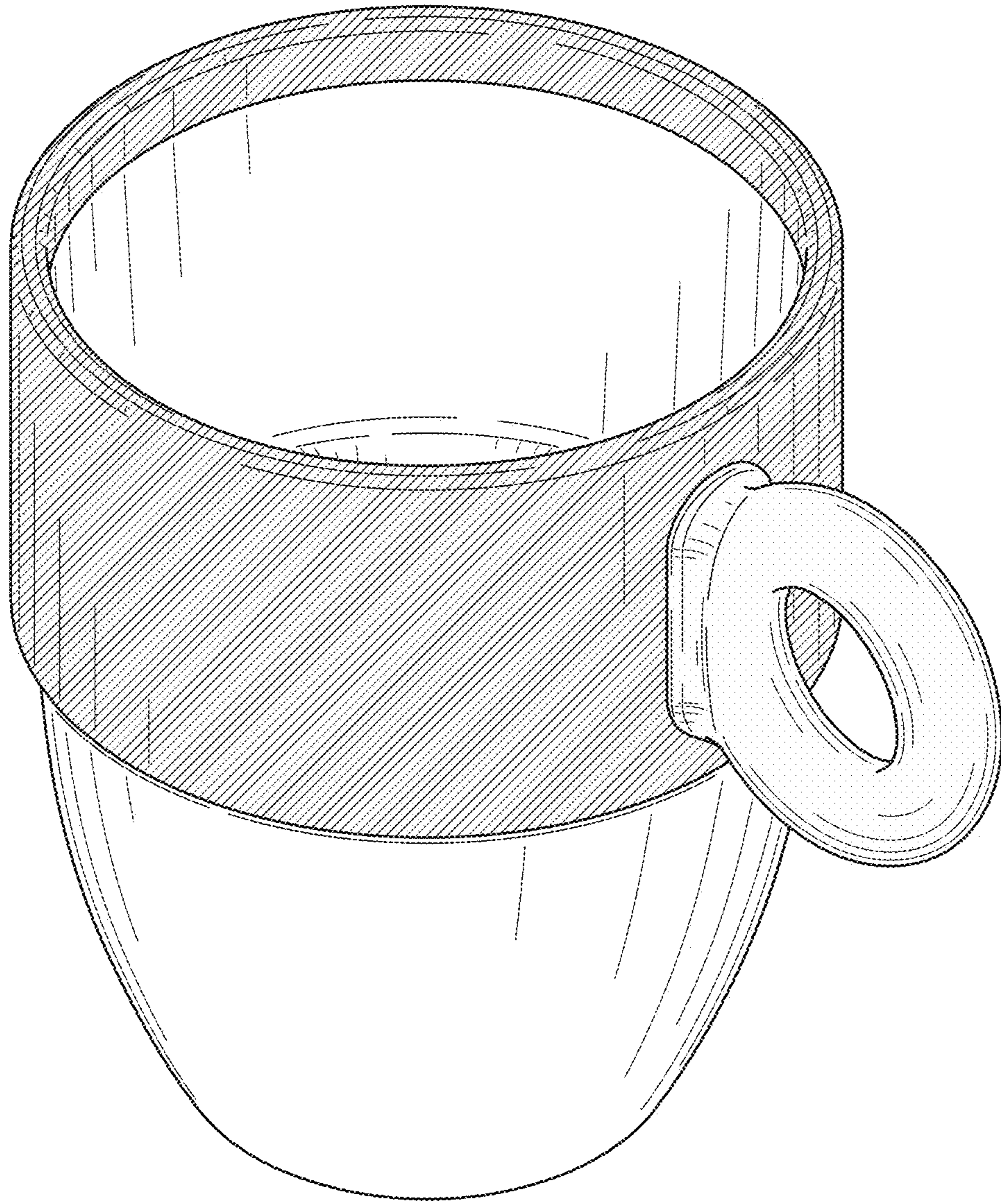


FIG. 1

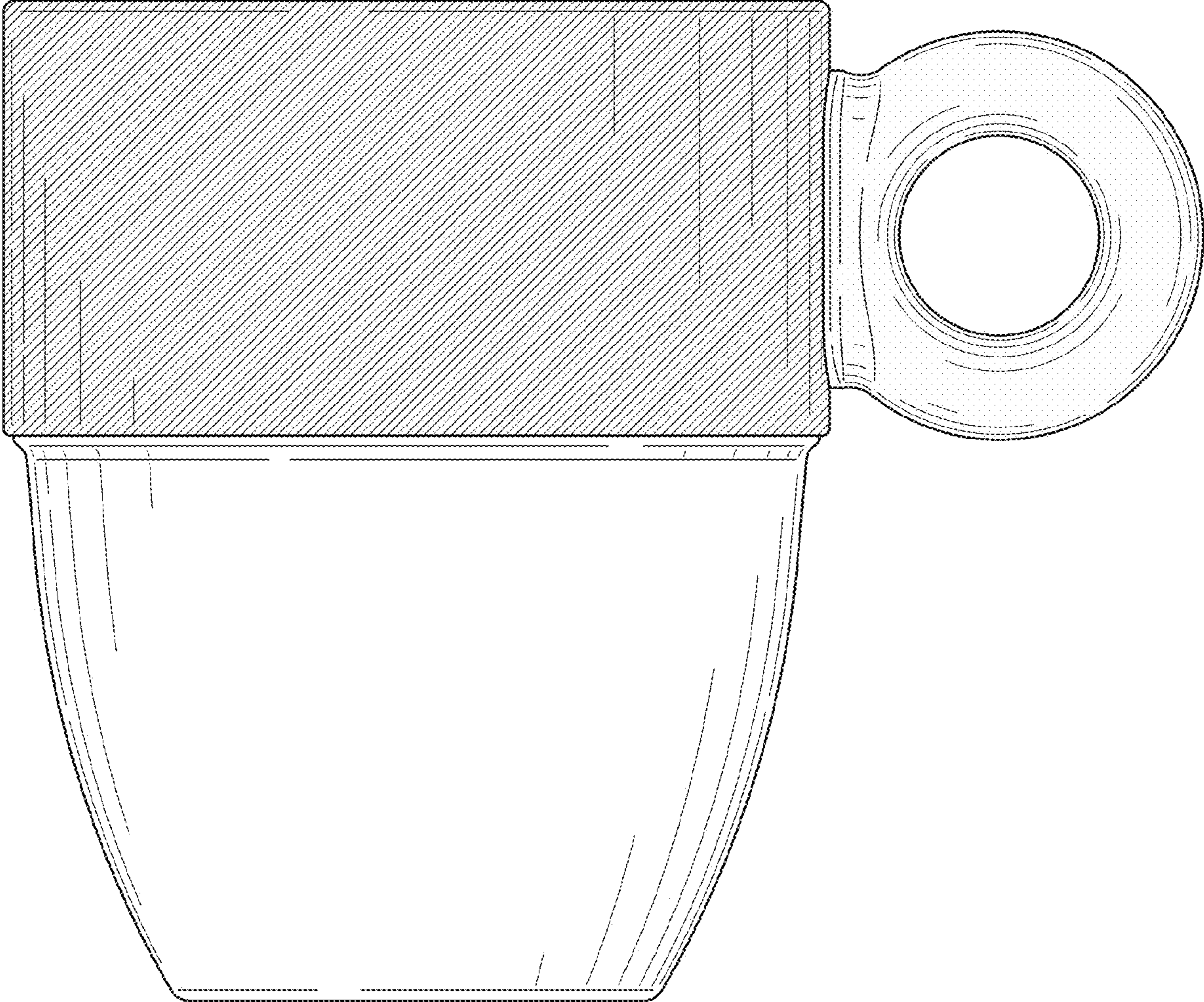


FIG. 2

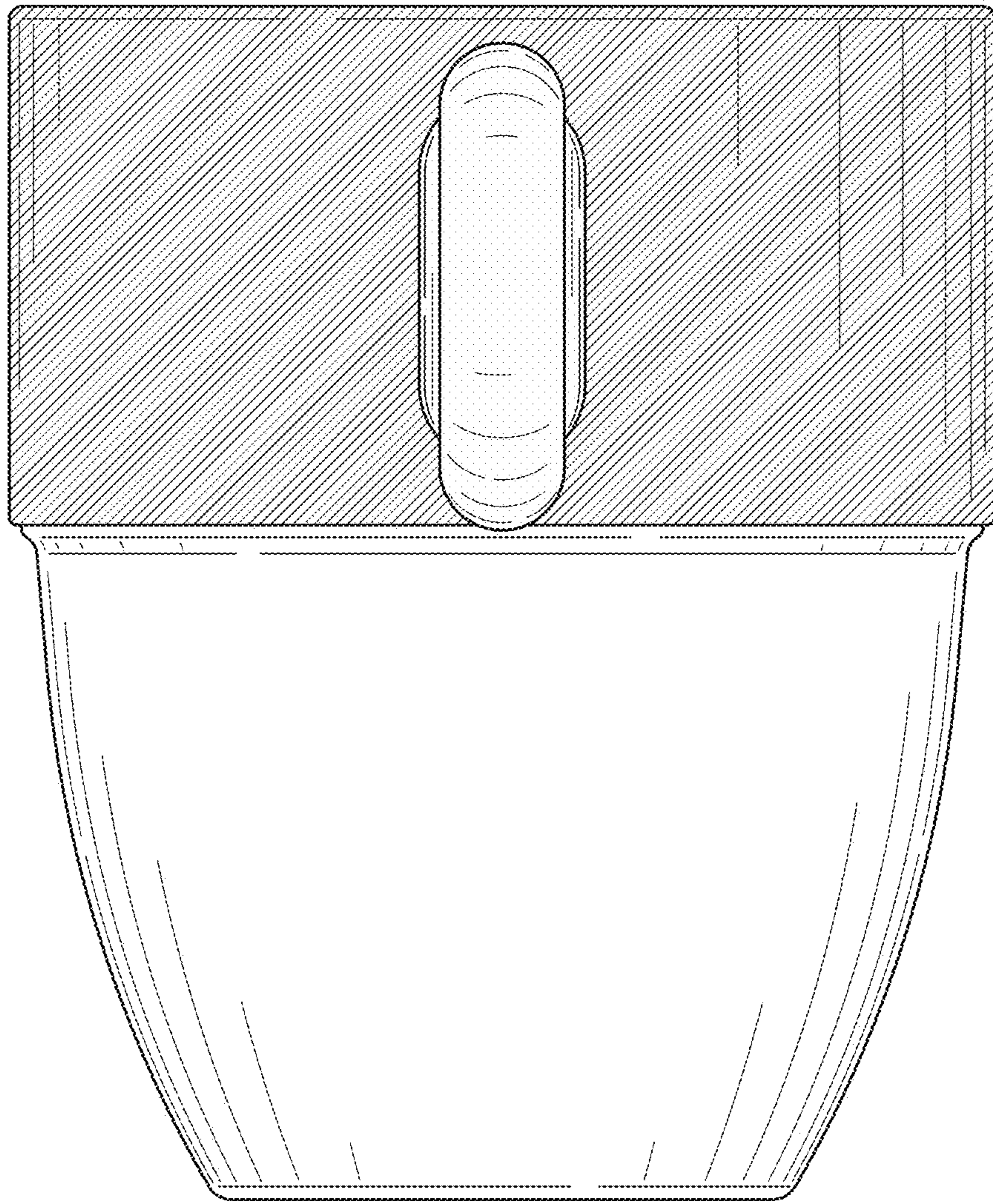


FIG. 3

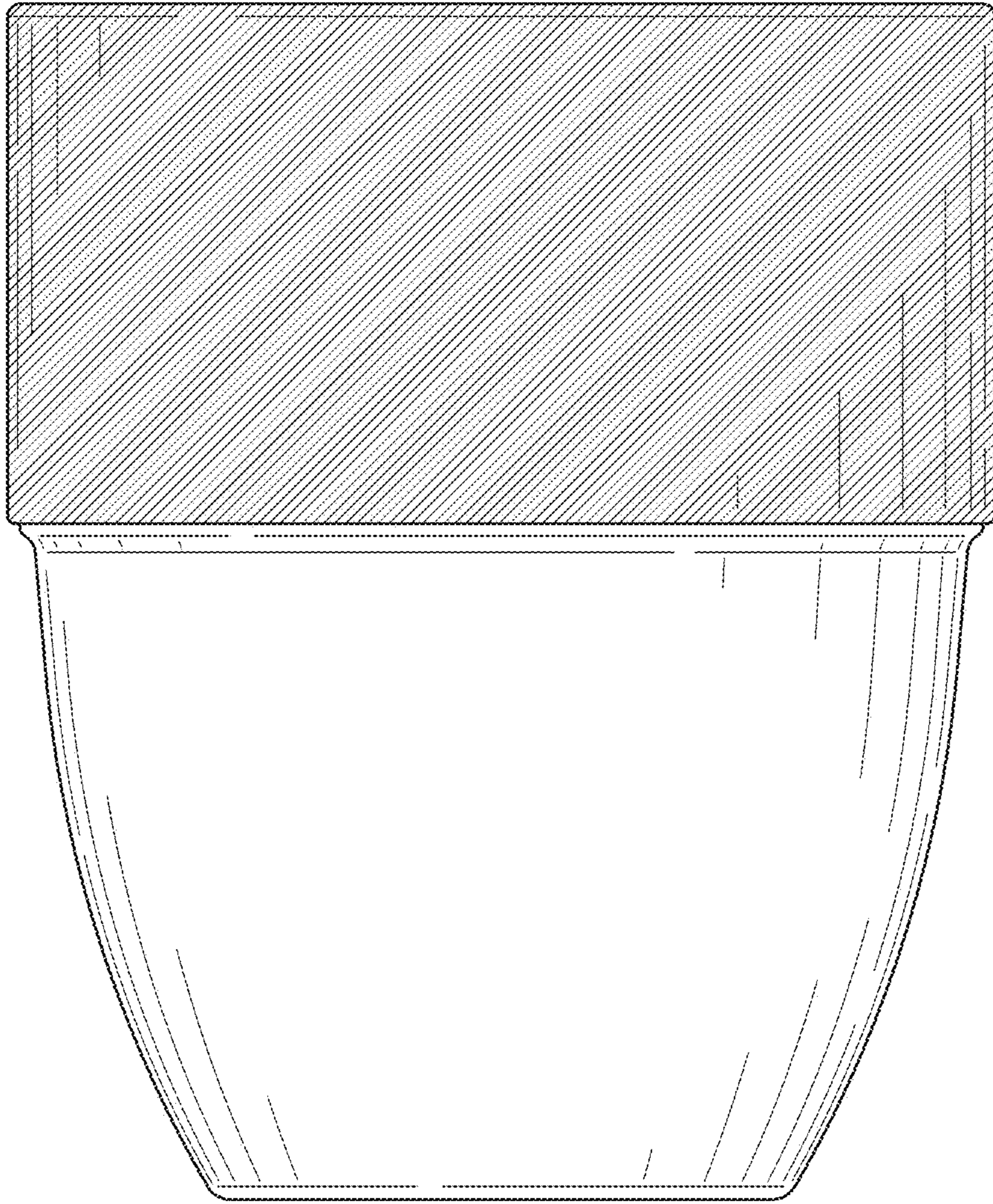


FIG. 4

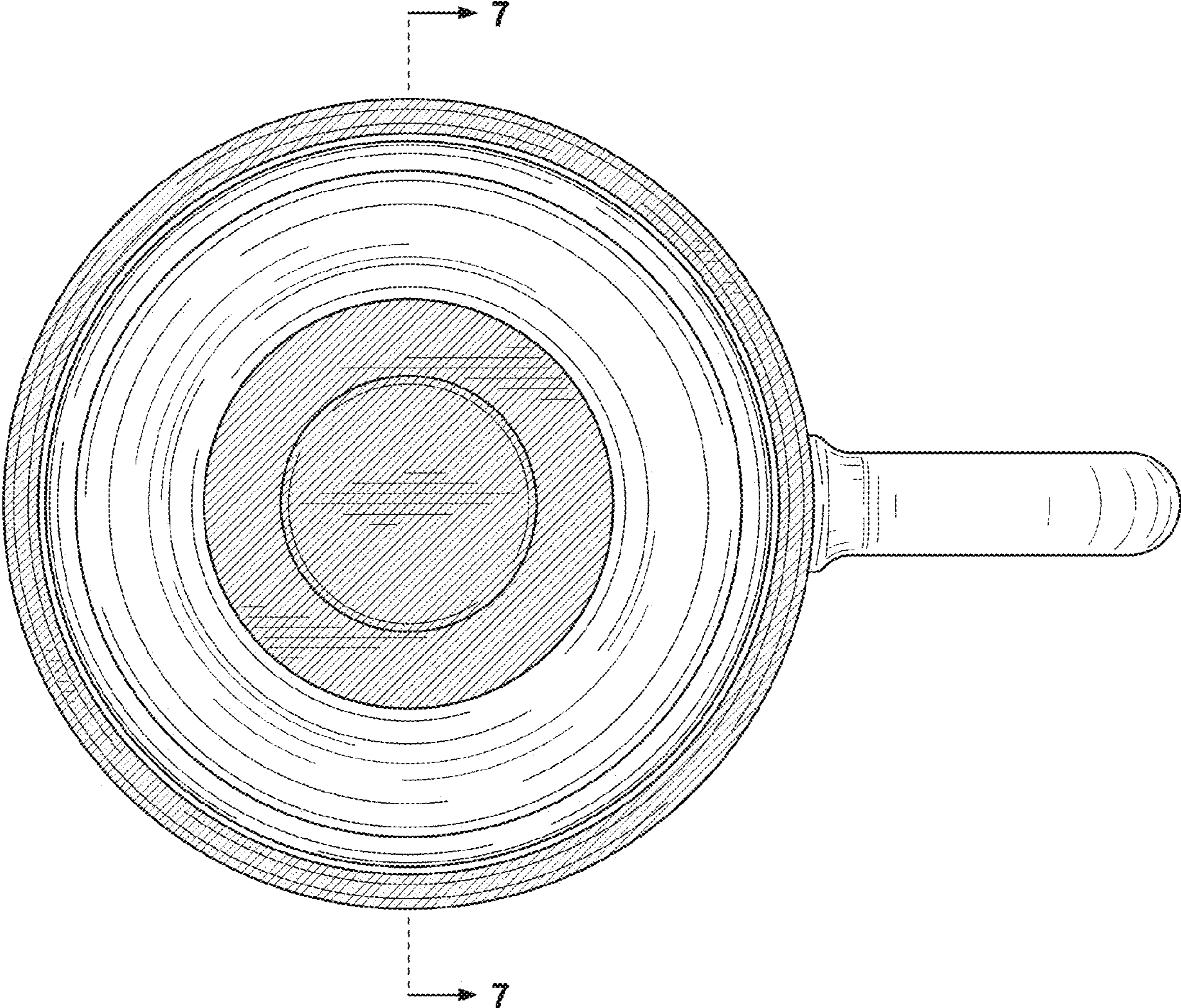


FIG. 5

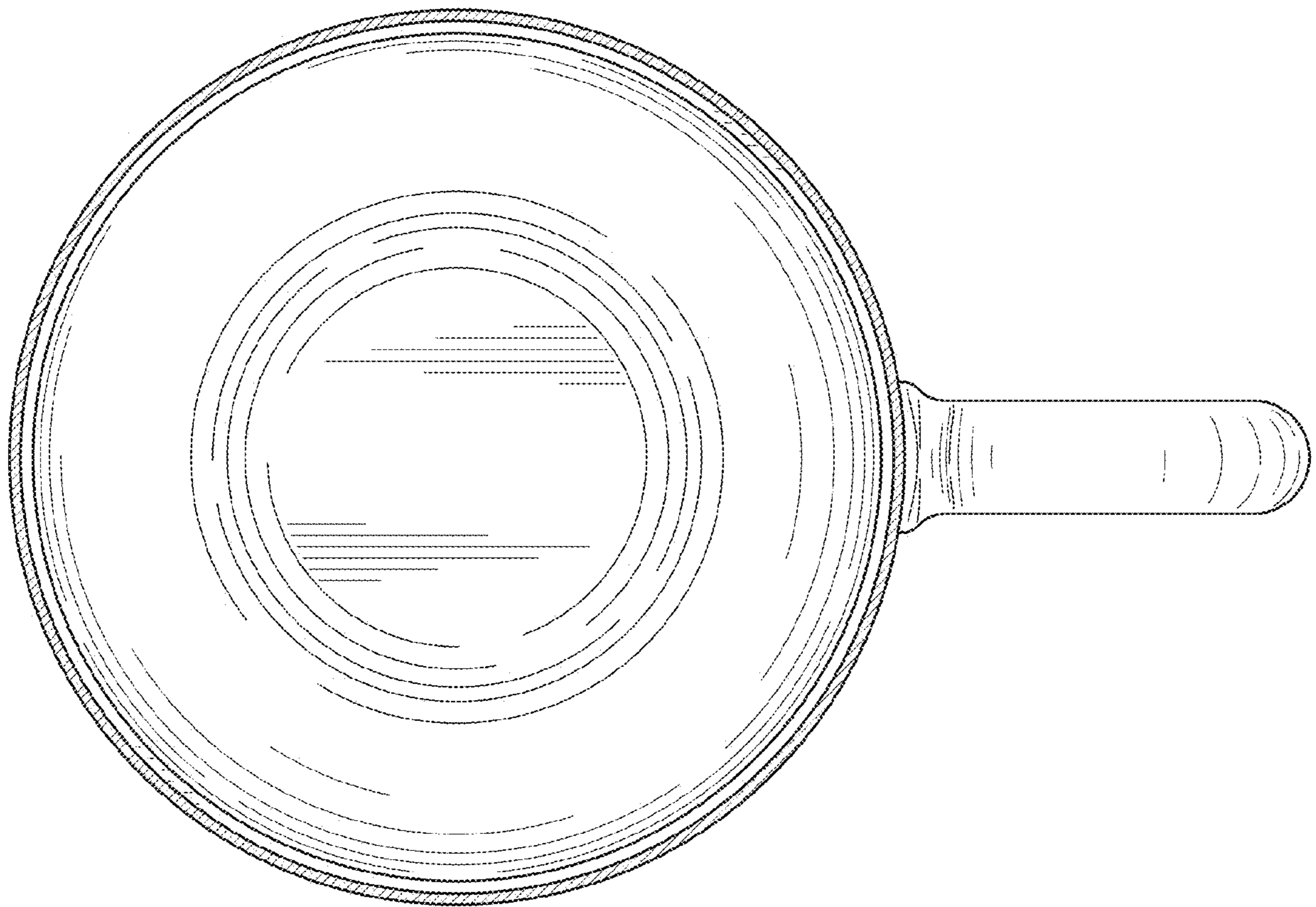


FIG. 6



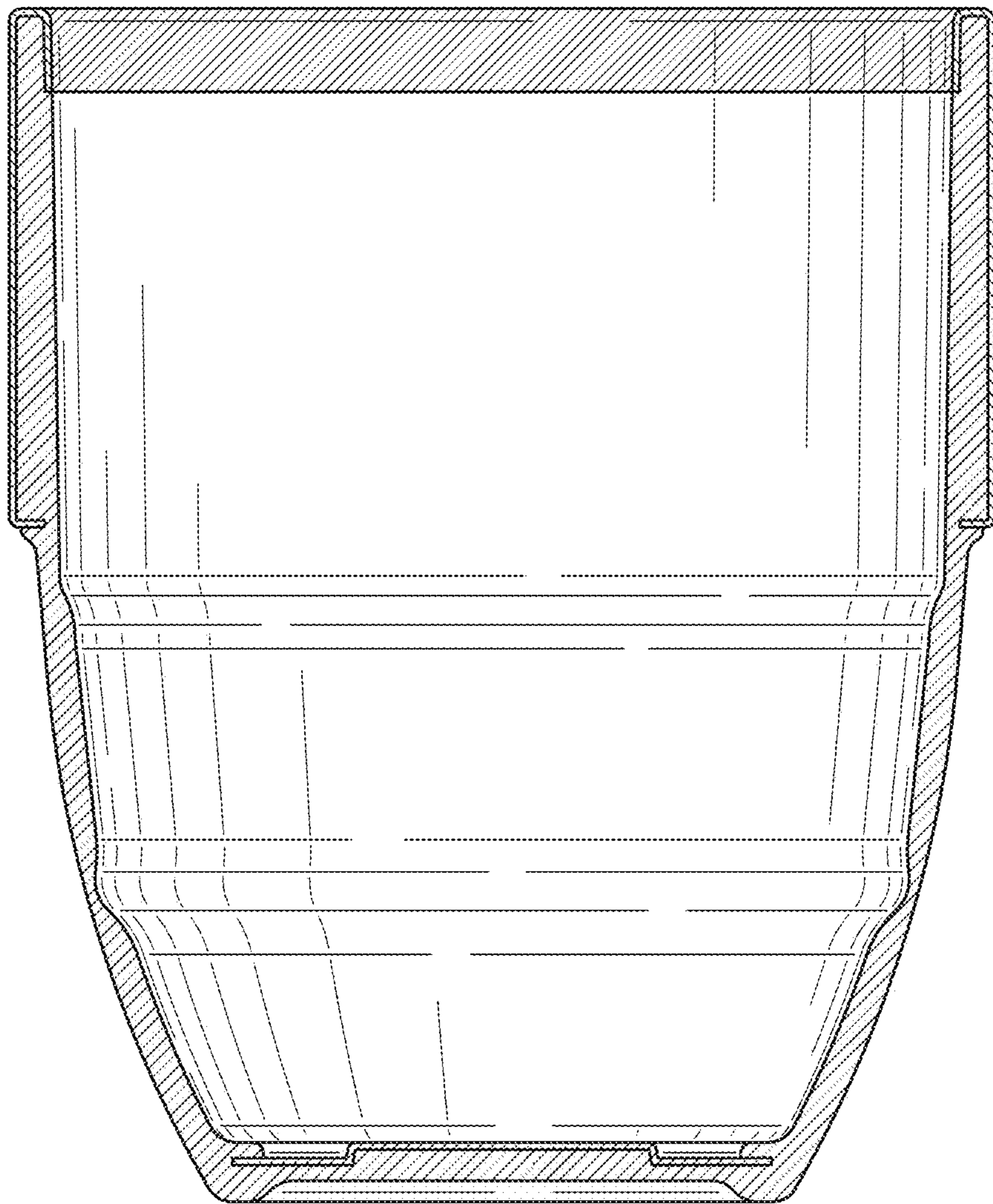


FIG. 7

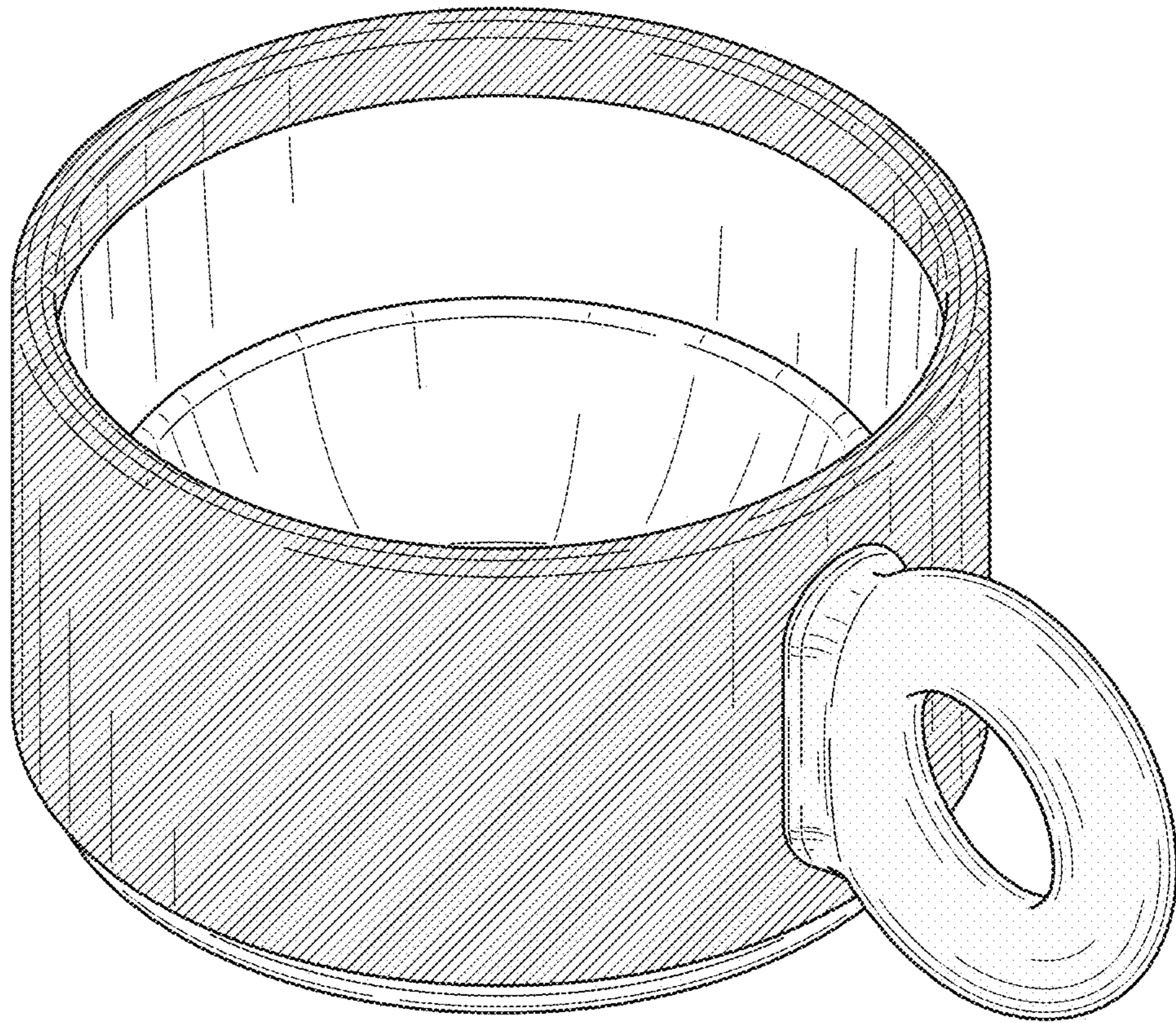


FIG. 8

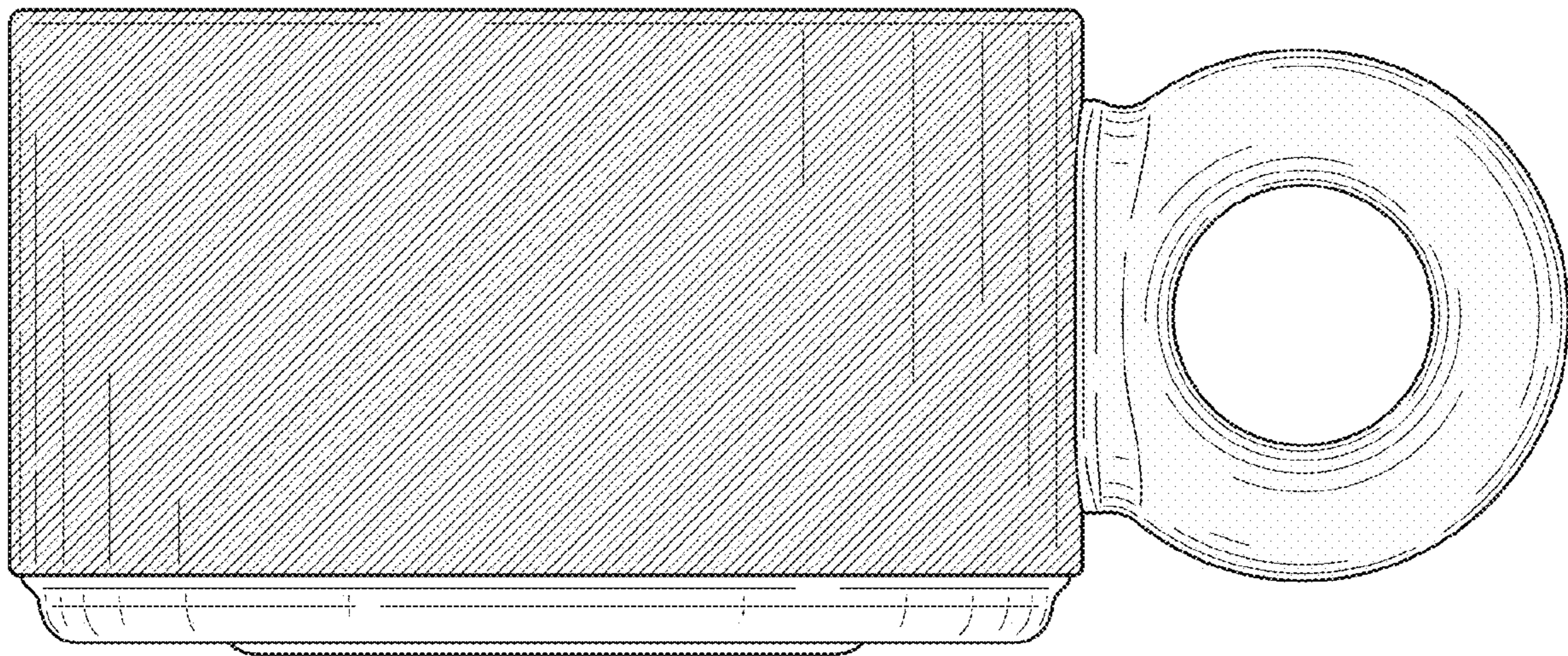


FIG. 9

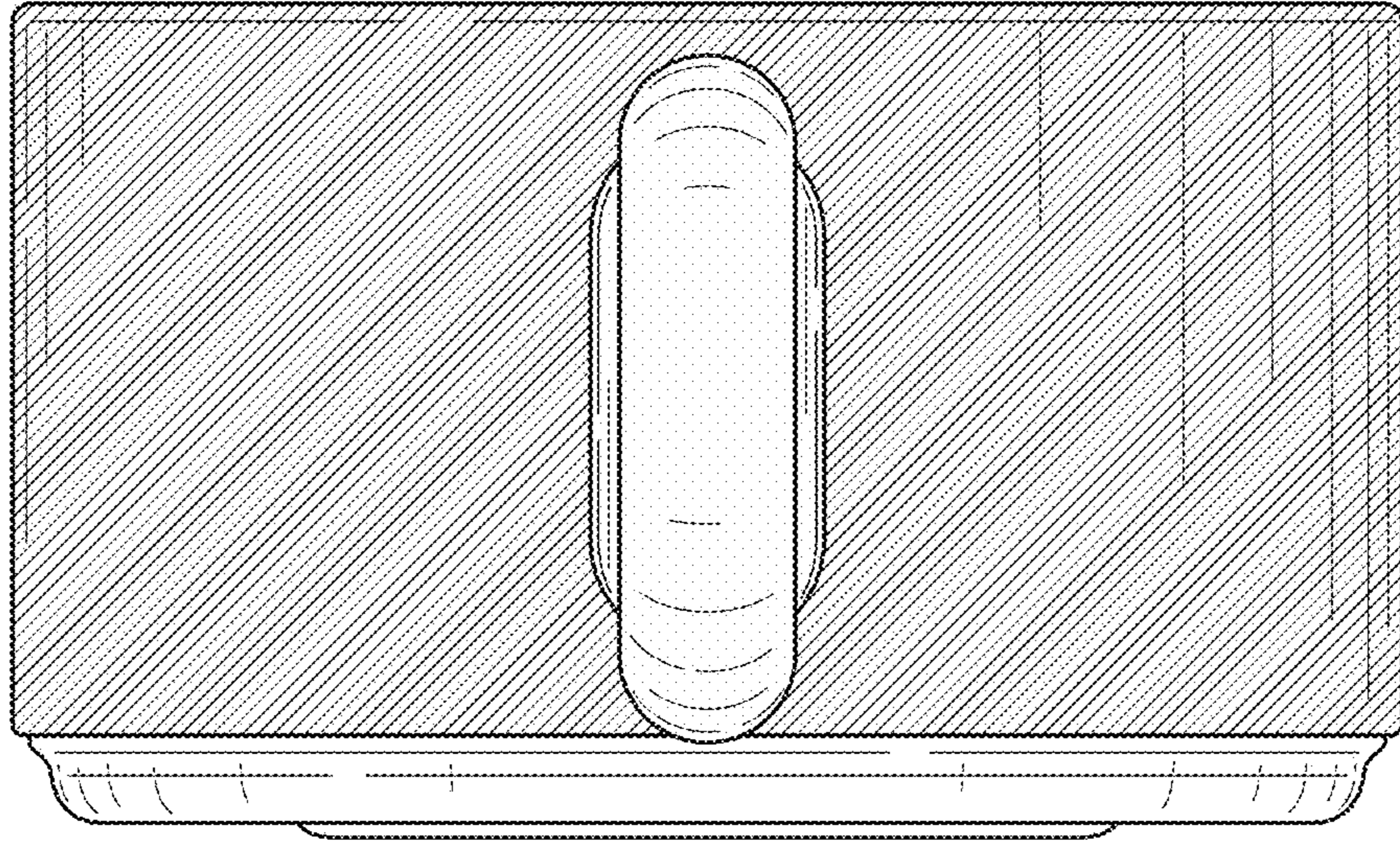


FIG. 10

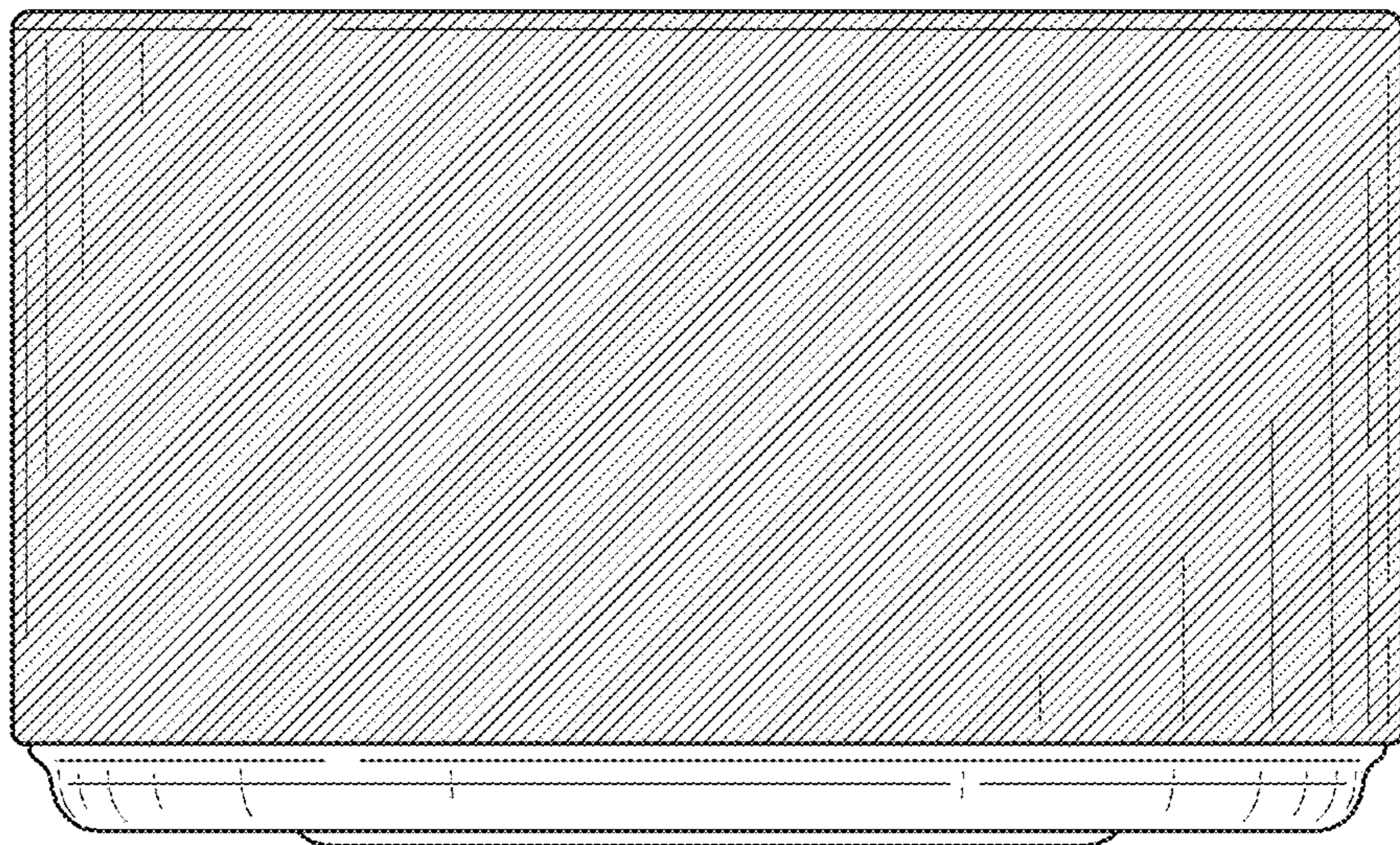


FIG. 11

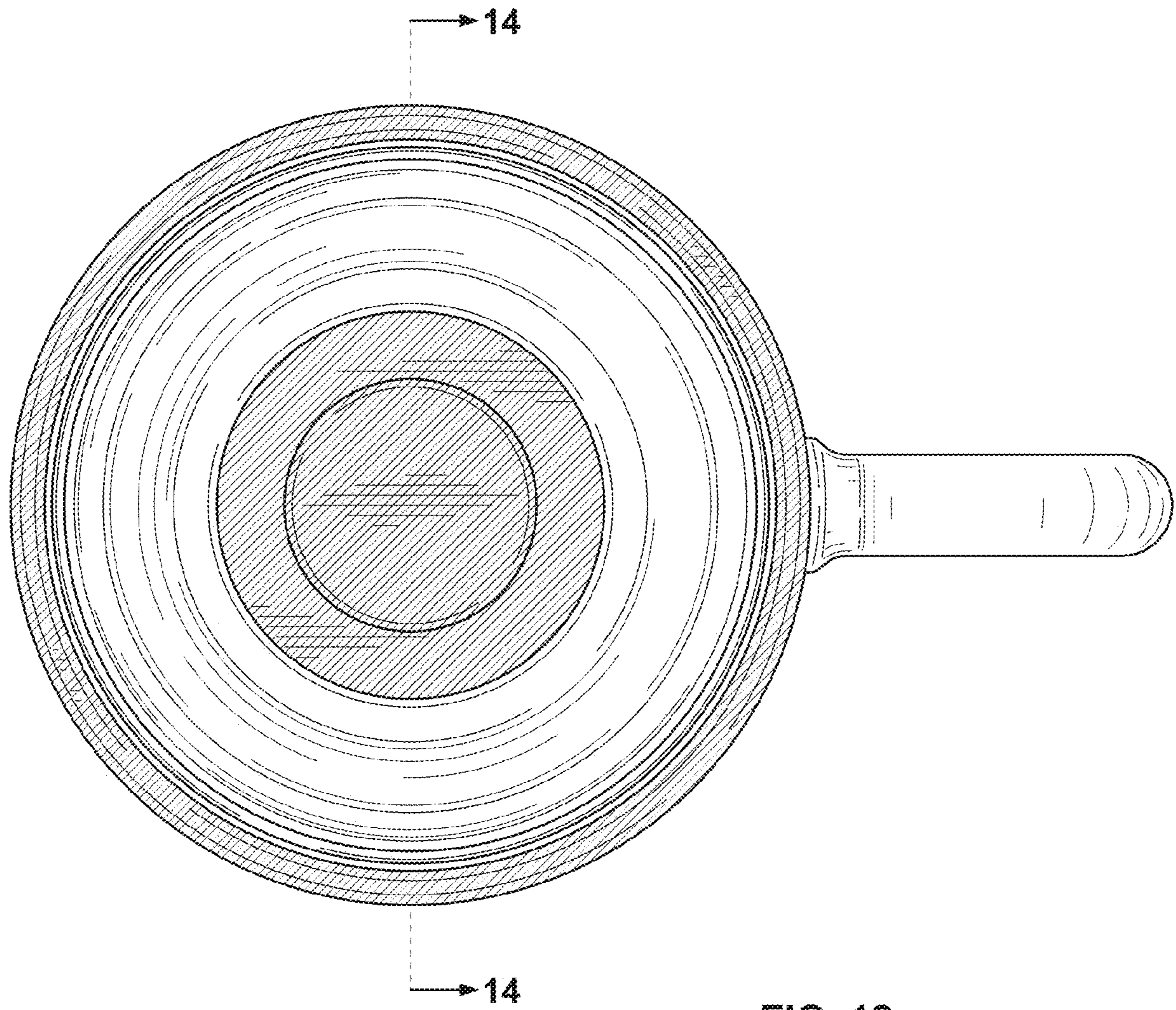


FIG. 12

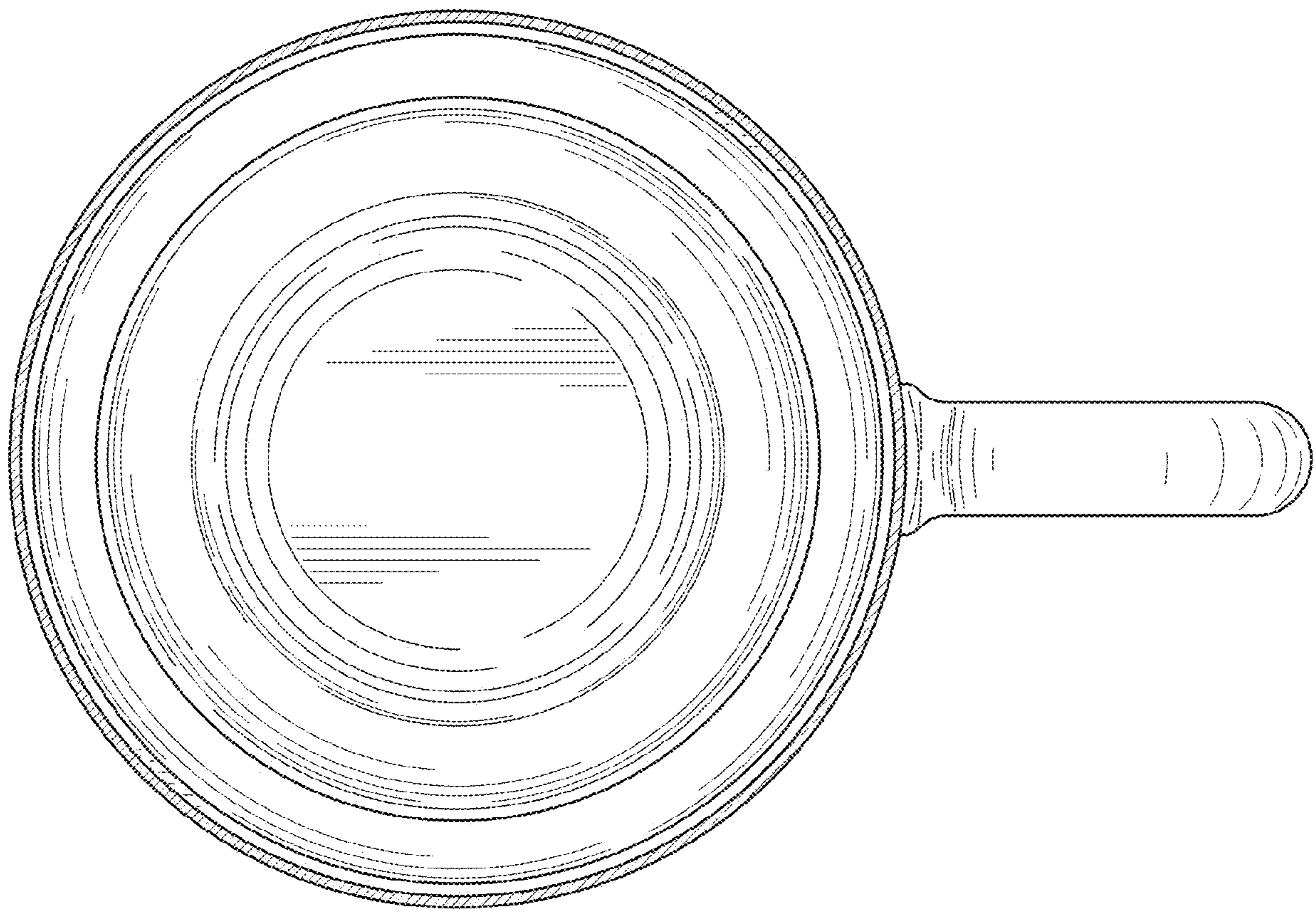


FIG. 13

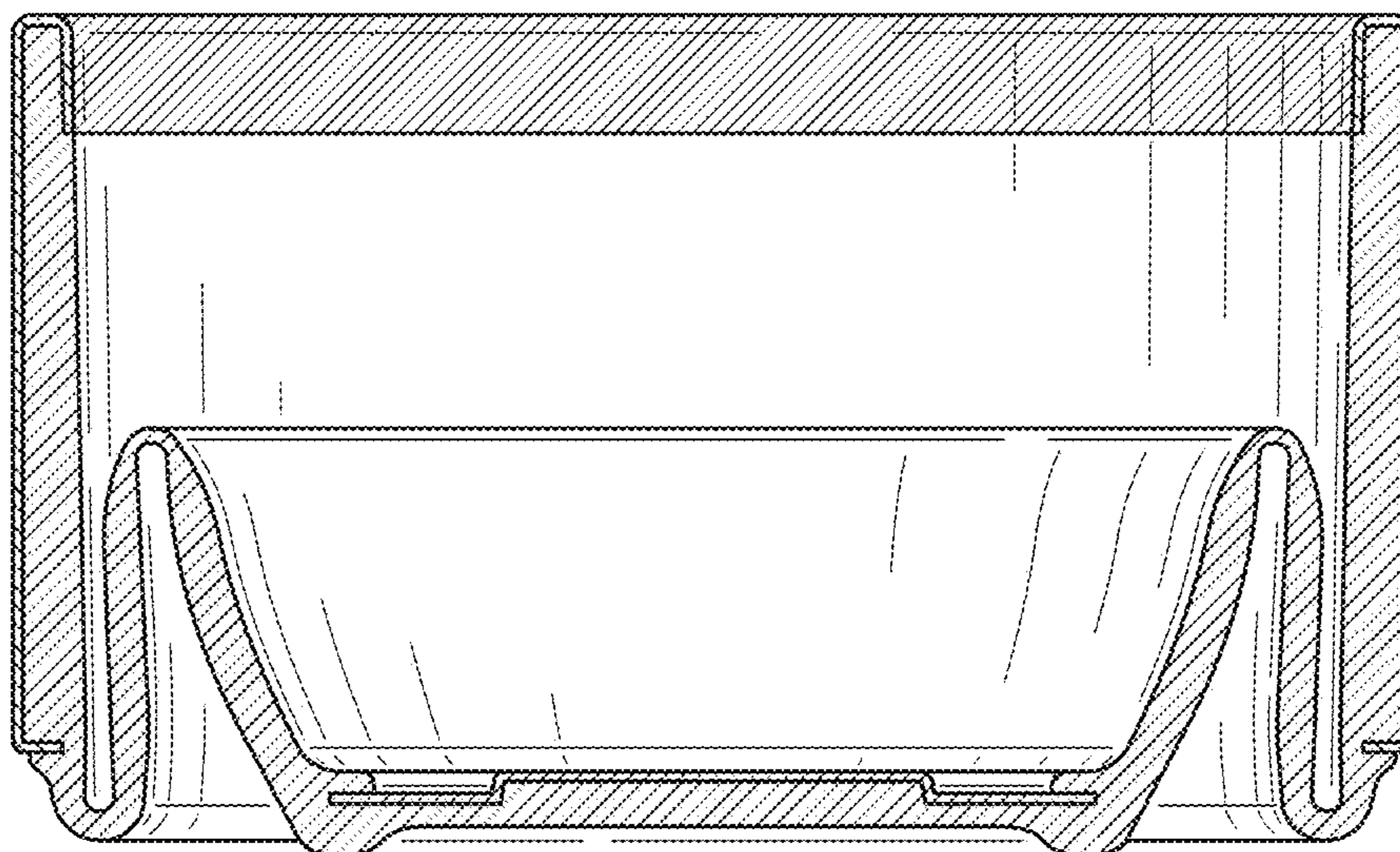


FIG. 14