



US00D937628S

(12) **United States Design Patent** (10) **Patent No.:** **US D937,628 S**
Yishen (45) **Date of Patent:** **** Dec. 7, 2021**

(54) **COFFEE CUP**

(71) Applicant: **STTOKE INCORPORATED PTE LTD**, Singapore (SG)

(72) Inventor: **Law Yishen**, Singapore (SG)

(**) Term: **15 Years**

(21) Appl. No.: **35/509,801**

(22) Filed: **Oct. 18, 2019**

(80) **Hague Agreement Data**

Int. Filing Date: **Oct. 18, 2019**

Int. Reg. No.: **DM/209099**

Int. Reg. Date: **Oct. 18, 2019**

Int. Reg. Pub. Date: **Jul. 17, 2020**

(51) **LOC (13) Cl.** **07-01**

(52) **U.S. Cl.**
USPC **D7/510**

(58) **Field of Classification Search**
USPC D7/507, 509, 510, 511, 529, 531, 532,
D7/523, 533, 534, 535, 536, 392.1, 296.1,
D7/396.2, 300.1, 608
CPC B65D 2543/00046; B65D 81/3453; A47G
19/22; A47G 19/2288; A47G 19/2205;
A47G 19/2216; A47G 19/2211; A47J
41/0077; A47J 41/0088

See application file for complete search history.

(56) **References Cited**

U.S. PATENT DOCUMENTS

D466,371	S	*	12/2002	Parker	D7/510
D533,403	S	*	12/2006	Bhavnani	D7/510
D534,038	S	*	12/2006	Kramer	D7/510
D720,962	S	*	1/2015	Coon	D7/510
D811,817	S	*	3/2018	Harrington, III	D7/510
D819,406	S	*	6/2018	Rivera	D7/532
D825,995	S	*	8/2018	Kestenbaum	D7/532
D826,641	S	*	8/2018	Nickley	D7/510
D846,948	S	*	4/2019	Chin	D7/510
D899,855	S	*	10/2020	Goto	D7/510
2010/0200602	A1	*	8/2010	Chan	A47G 19/2272 220/714
2018/0332987	A1	*	11/2018	Lin	B65D 51/18

* cited by examiner

Primary Examiner — Michael A. Pratt

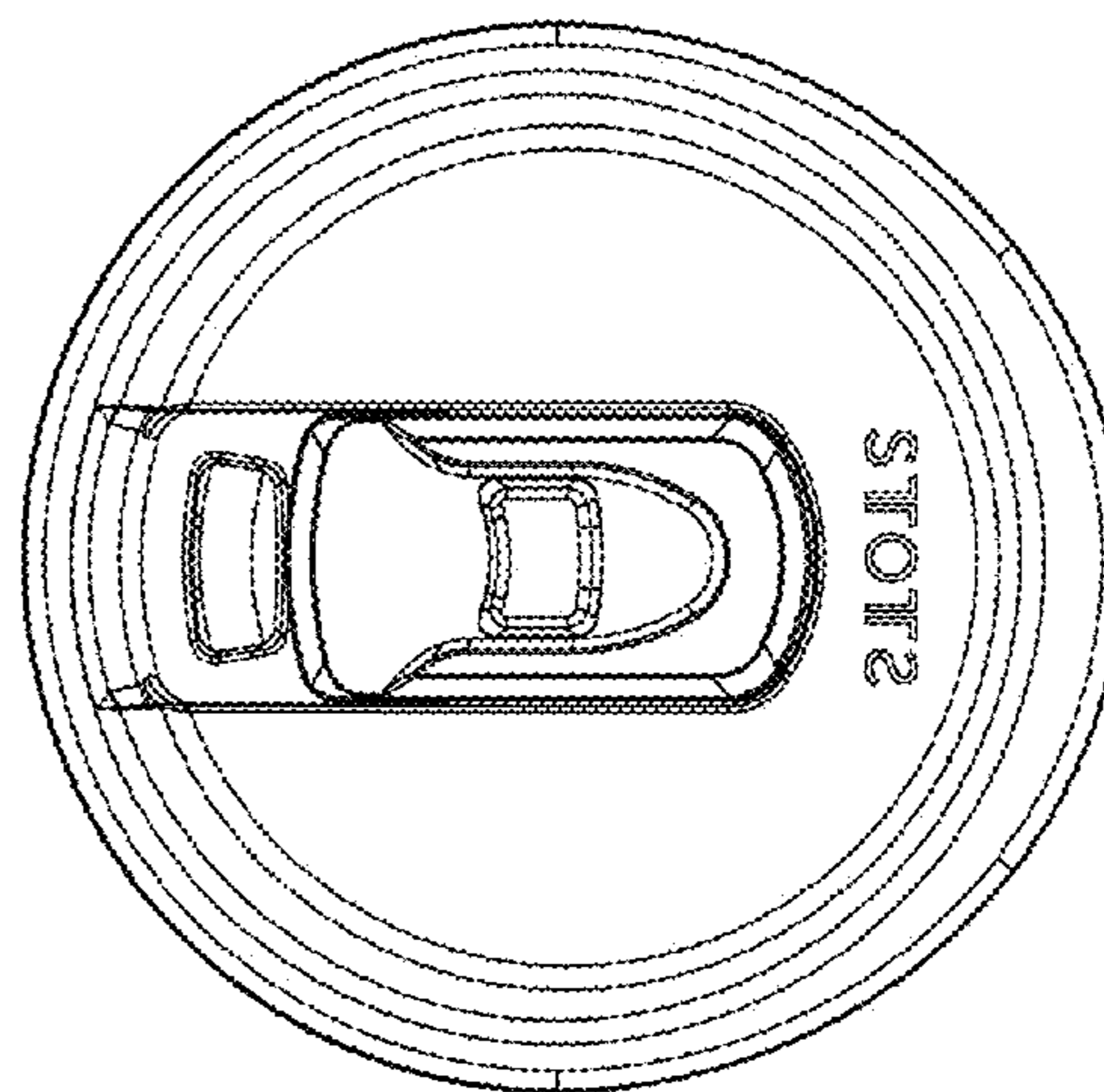
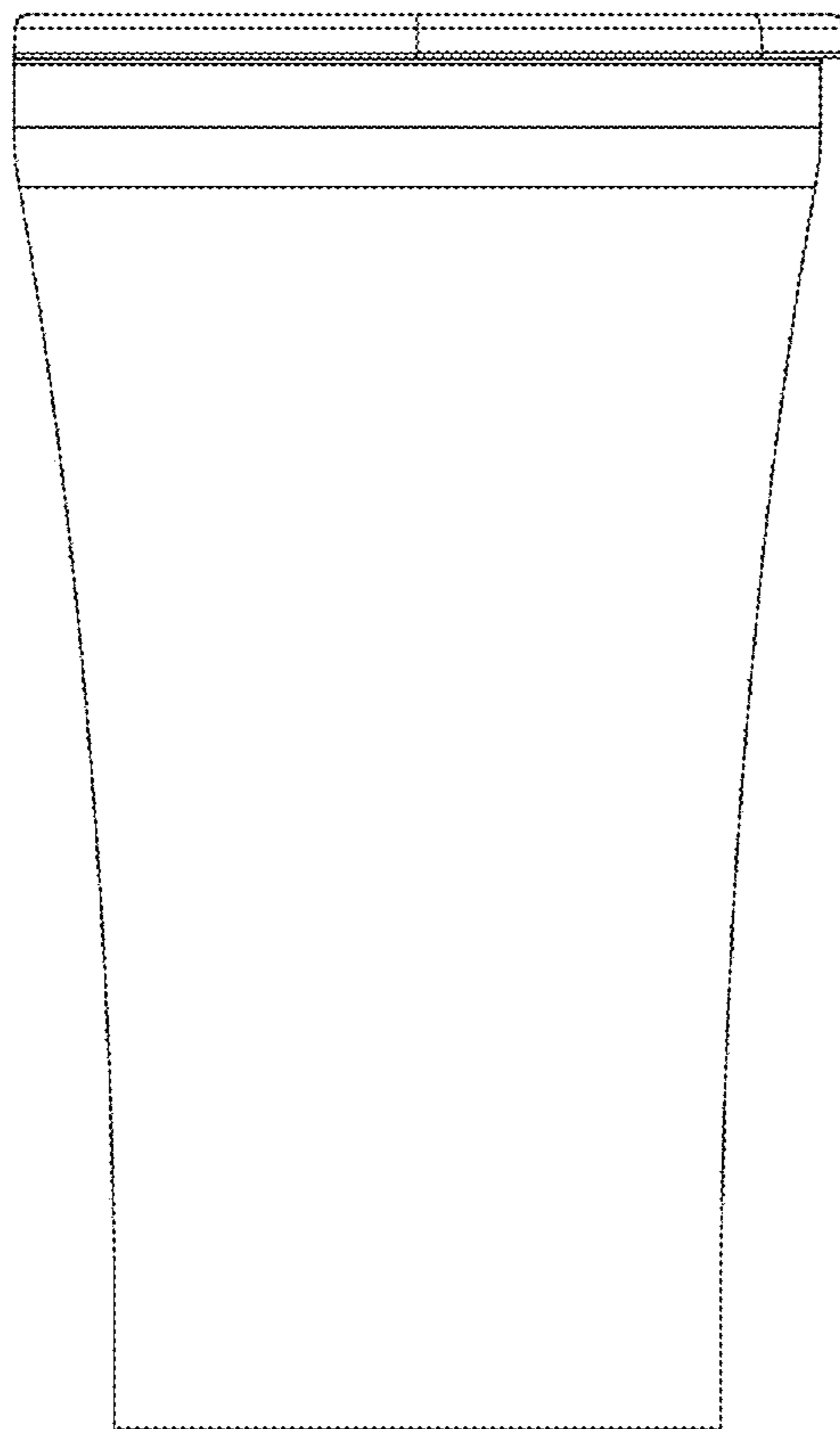
(57) **CLAIM**

The ornamental design for a coffee cup, as shown and described.

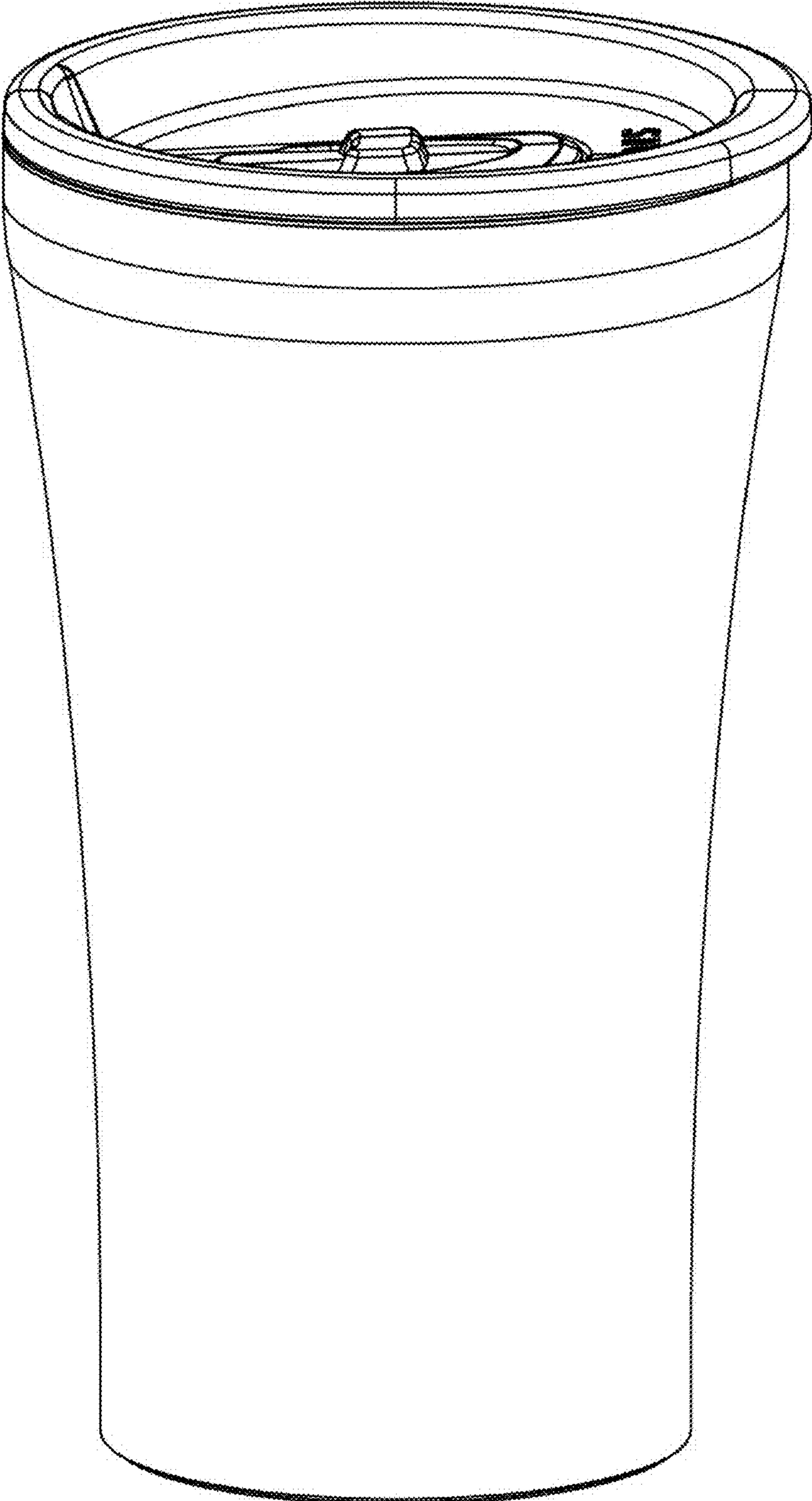
DESCRIPTION

1. Coffee cup
- 1.1 : Perspective
- 1.2 : Front
- 1.3 : Top
- 1.4 : Bottom

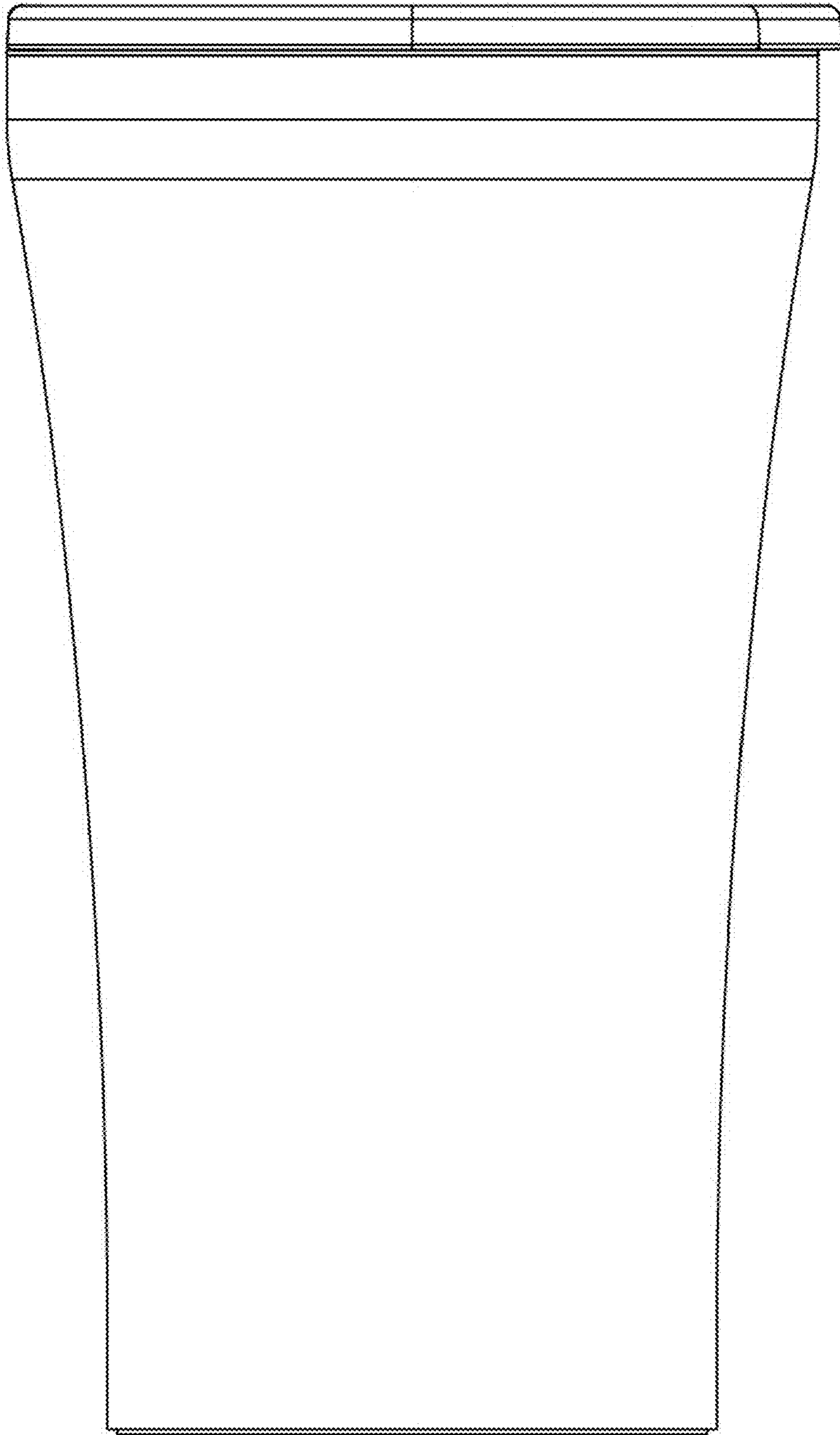
1 Claim, 4 Drawing Sheets



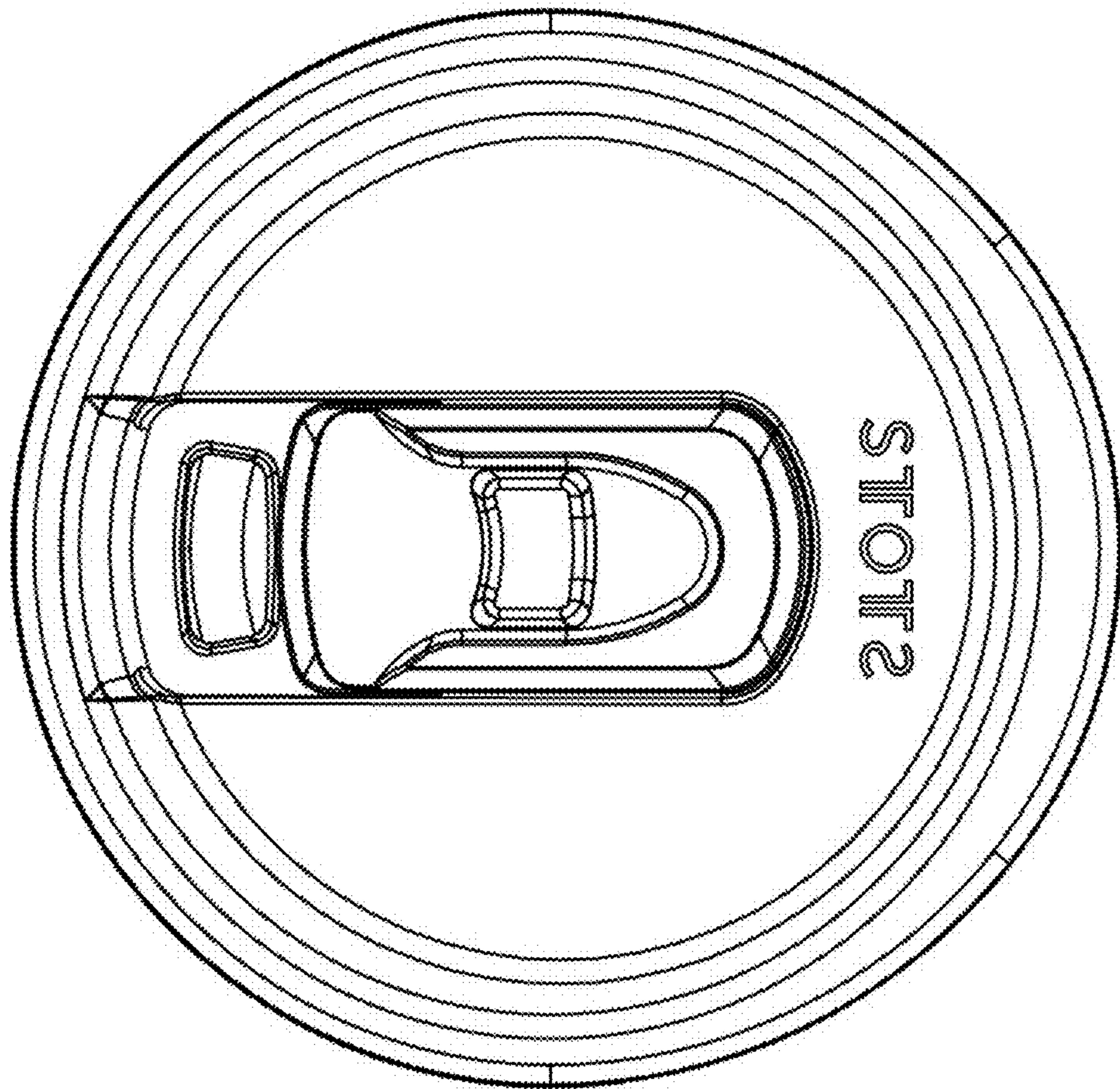
1.1



1.2



1.3



1.4

