



US00D937627S

(12) **United States Design Patent** (10) **Patent No.:** **US D937,627 S**
Young et al. (45) **Date of Patent:** **** Dec. 7, 2021**

(54) **FOOD SUPPORT FOR COOKING DEVICE**

(56) **References Cited**

(71) Applicant: **SHARKNINJA OPERATING LLC**,
Needham, MA (US)

U.S. PATENT DOCUMENTS

(72) Inventors: **Allen Young**, Needham, MA (US);
Carl Wrigglesworth, London (GB)

1,466,114 A	8/1923	Buchi	
D432,874 S	10/2000	Kari	
D555,777 S	11/2007	Aveldson et al.	
D592,445 S	5/2009	Sorenson et al.	
D648,989 S	11/2011	Coursey et al.	
D669,730 S	* 10/2012	Mandil	D7/359
D710,647 S	8/2014	Mandil et al.	
D716,109 S	10/2014	De Luca	
D724,702 S	* 3/2015	D'Amico	D23/261
D735,520 S	* 8/2015	Mandil	D7/354
D759,438 S	* 6/2016	Dukat	D7/679
D774,350 S	* 12/2016	Mandil	D7/359
D776,496 S	1/2017	Mirchandani	
9,630,334 B2	4/2017	Garcia	

(73) Assignee: **SHARKNINJA OPERATING LLC**,
Needham, MA (US)

(**) Term: **15 Years**

(21) Appl. No.: **29/772,912**

(Continued)

(22) Filed: **Mar. 4, 2021**

Primary Examiner — Ricky Pham

(74) *Attorney, Agent, or Firm* — Mintz Levin Cohn Ferris
Glovsky and Popeo, PC; Lisa Adams

Related U.S. Application Data

(63) Continuation of application No. 29/694,053, filed on
Jun. 6, 2019, now Pat. No. Des. 915,142.

(57) **CLAIM**

(51) **LOC (13) Cl.** **07-02**

The ornamental design for a food support for cooking
device, as shown and described.

(52) **U.S. Cl.**
USPC **D7/409**

(58) **Field of Classification Search**

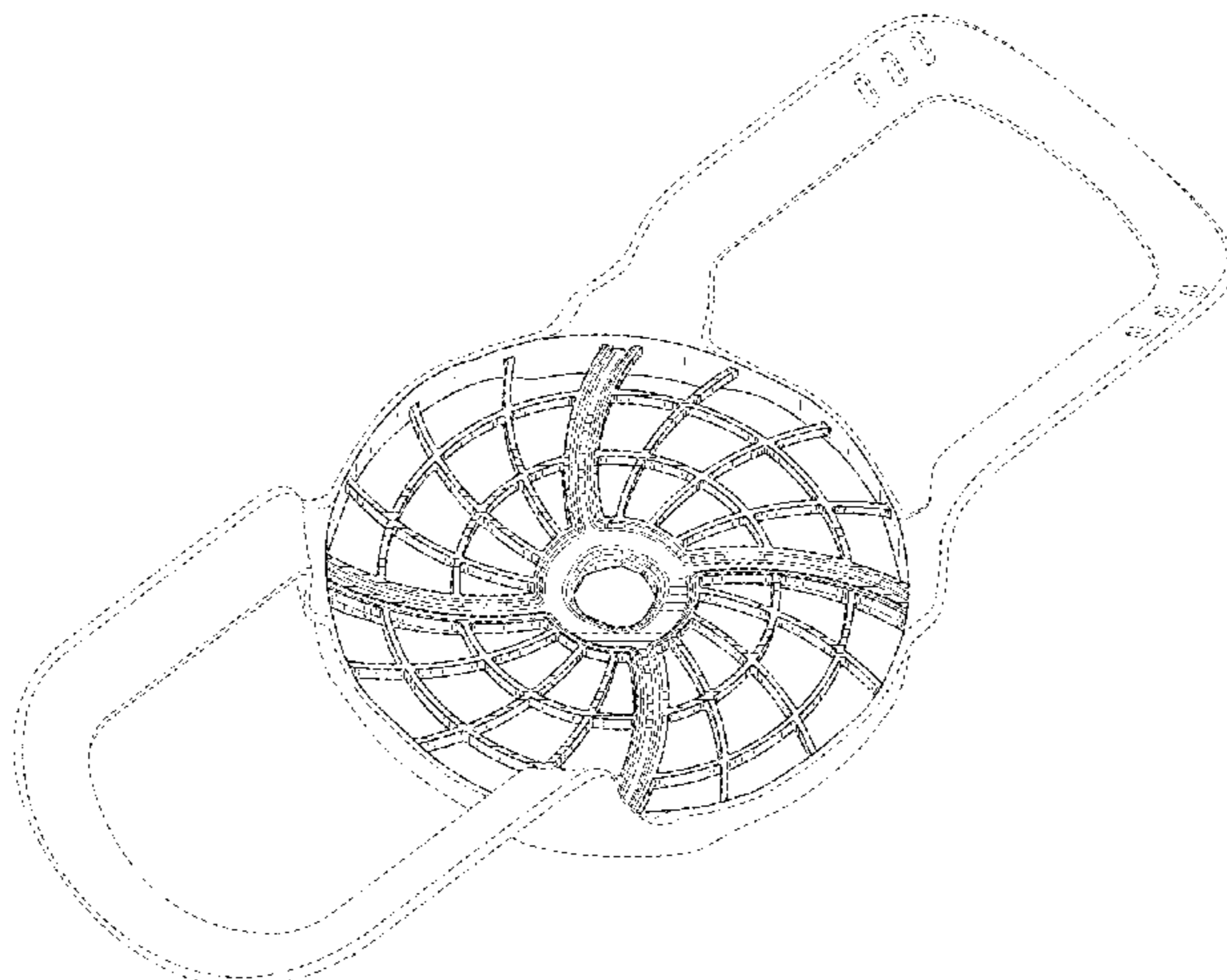
DESCRIPTION

USPC D7/354, 359, 372, 376–386, 407, 409,
D7/412–413, 602, 629, 630, 665–666,
D7/669, 679, 693–694; D23/261
CPC A21C 1/02; A21C 1/04; A23N 1/00; A23N
1/02; A47J 19/02; A47J 43/04; A47J
43/25; A47J 43/27; A47J 43/042; A47J
43/044; A47J 43/046; A47J 43/075; A47J
43/0722; A47J 43/0727; B01F 3/00; B01F
3/0807; B01F 3/0853; B01F 13/0059;
B01F 13/0064; B02C 1/08; B02C 2/04;
B02C 4/42; B02C 4/142; B02C 4/143;
B02C 4/423; B02C 13/1835; B26D 3/26;
B28C 5/10; B28C 5/12; B28C 5/14;
B28C 5/16

FIG. 1 is a perspective view of a food support for cooking
device, showing our new design;
FIG. 2 is a top view of the embodiment shown in FIG. 1;
FIG. 3 is a bottom view of the embodiment shown in FIG.
1;
FIG. 4 is a side view of the embodiment shown in FIG. 1;
FIG. 5 is another side view of the embodiment shown in
FIG. 1;
FIG. 6 is a front view of the embodiment shown in FIG. 1;
and,
FIG. 7 is a rear view of the embodiment shown in FIG. 1.

See application file for complete search history.

(Continued)



The broken lines in the figures are for environmental purposes only and form no part of the claimed design.

1 Claim, 5 Drawing Sheets

(56)

References Cited

U.S. PATENT DOCUMENTS

D814,250	S	4/2018	Lonergan	
D876,160	S *	2/2020	Deng	D7/409
D885,851	S *	6/2020	Trani	D7/630
D891,180	S *	7/2020	Fastabend	D7/412
D914,447	S *	3/2021	Gill	D7/407
D915,142	S *	4/2021	Young	D7/409
D918,654	S *	5/2021	Anthony	D7/409
2006/0254058	A1 *	11/2006	Chang	B26D 3/26 30/114
2008/0168660	A1 *	7/2008	Chiu	A47J 19/02 30/114
2009/0241344	A1	10/2009	Mastroianni	
2012/0102760	A1	5/2012	Hauser	
2012/0131800	A1	5/2012	Hauser et al.	

* cited by examiner

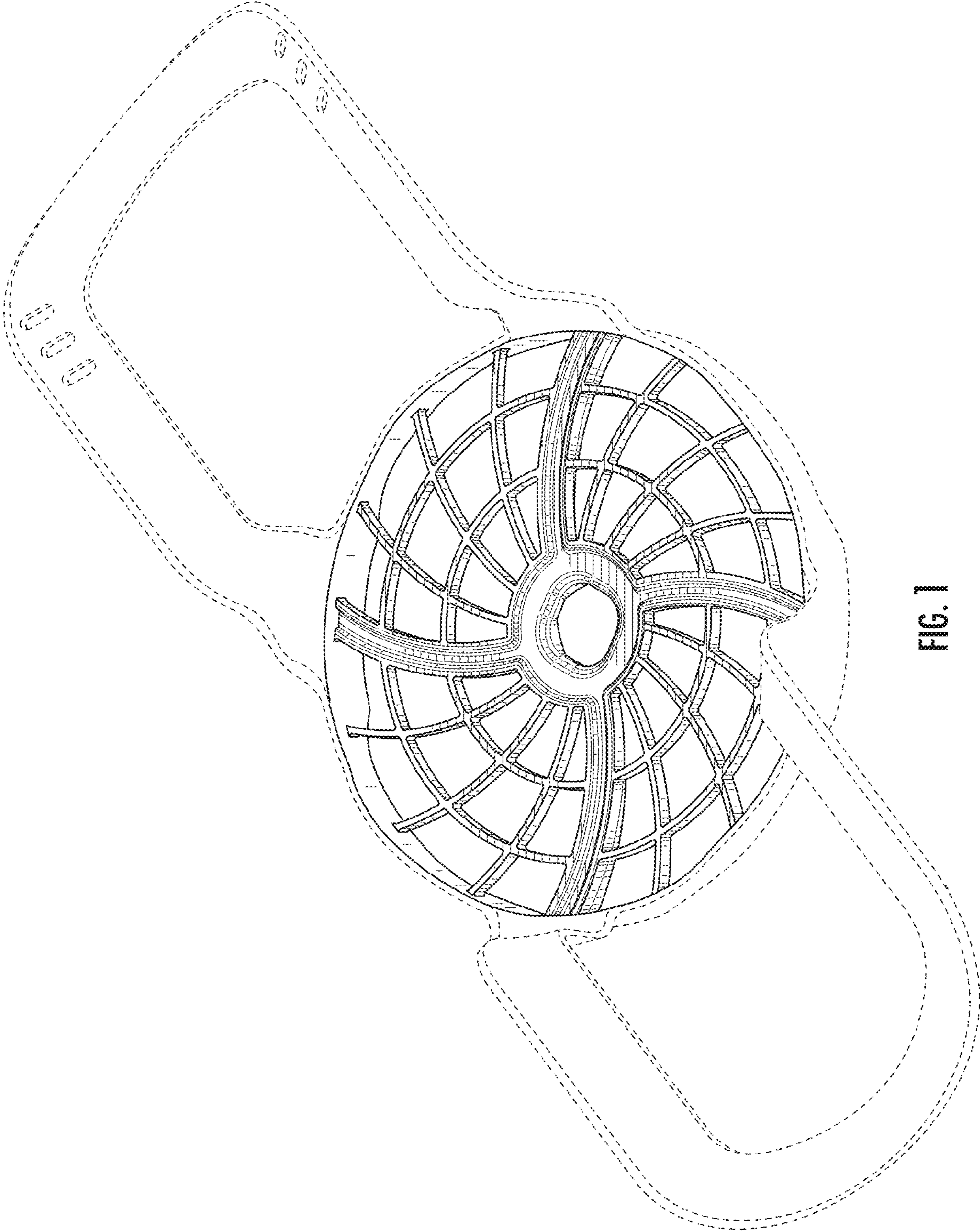


FIG. 1

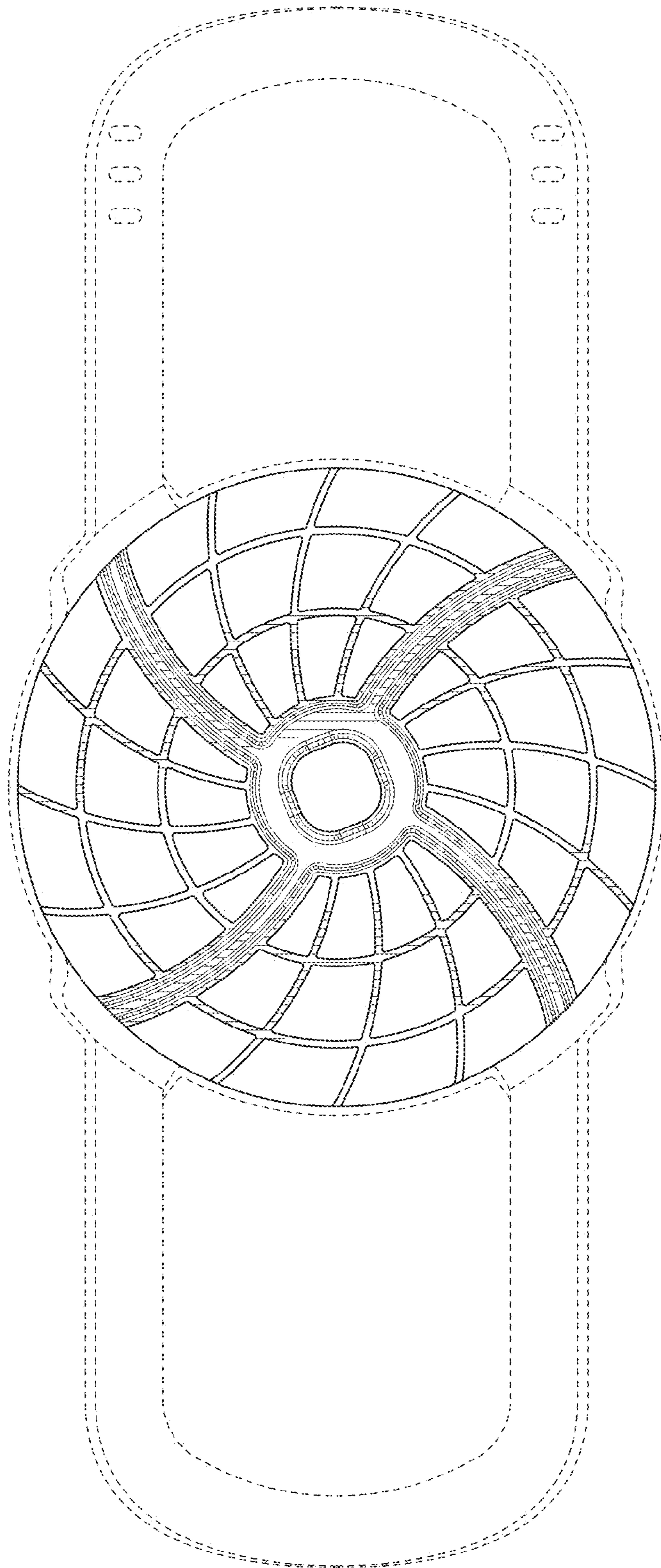


FIG. 2

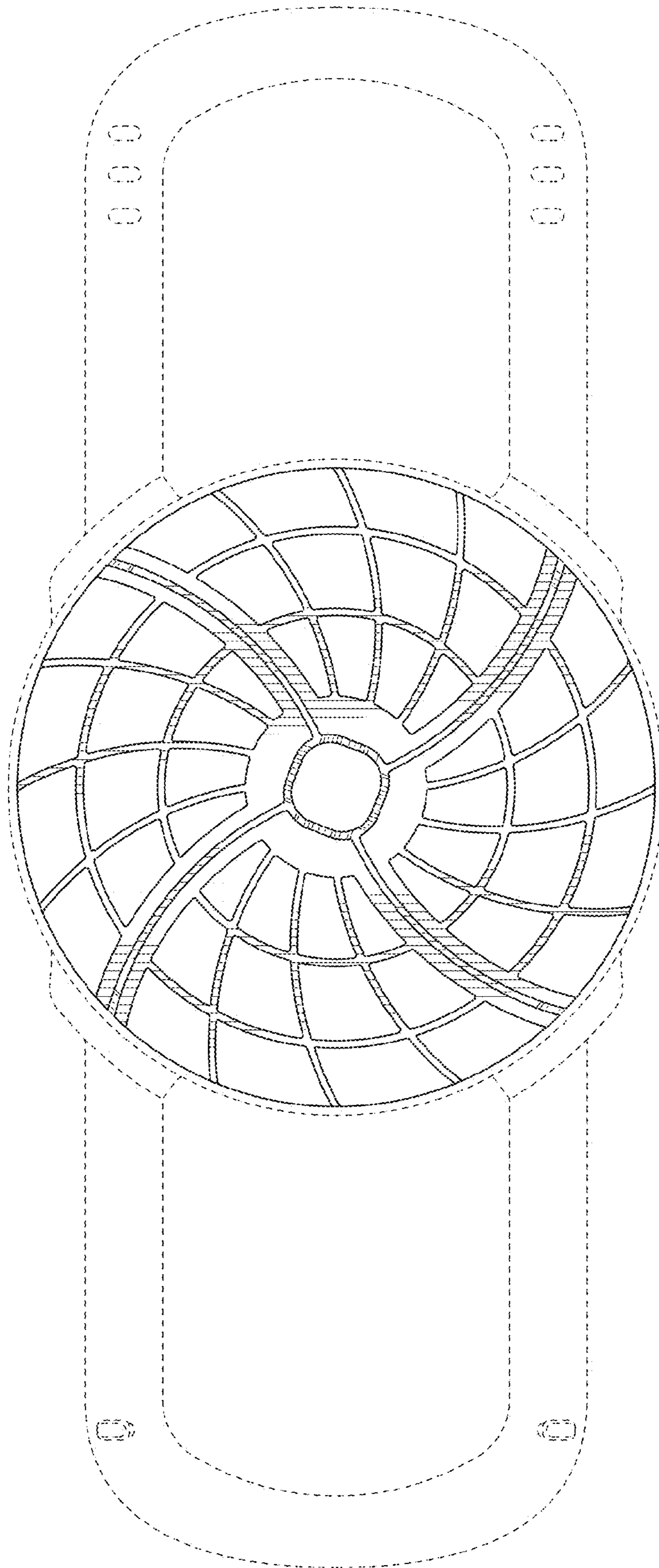


FIG. 3

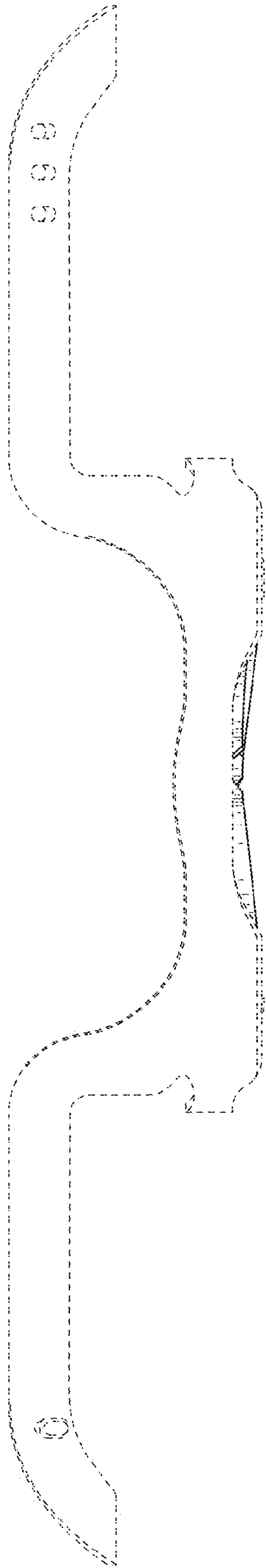


FIG. 4

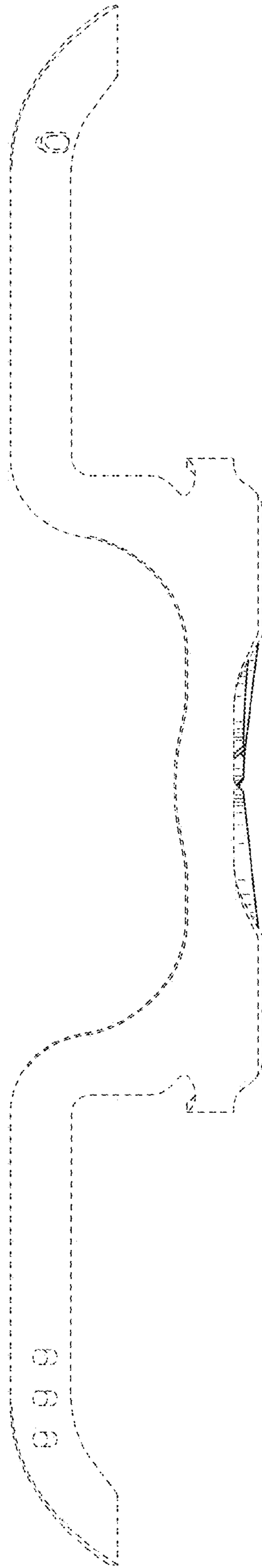


FIG. 5

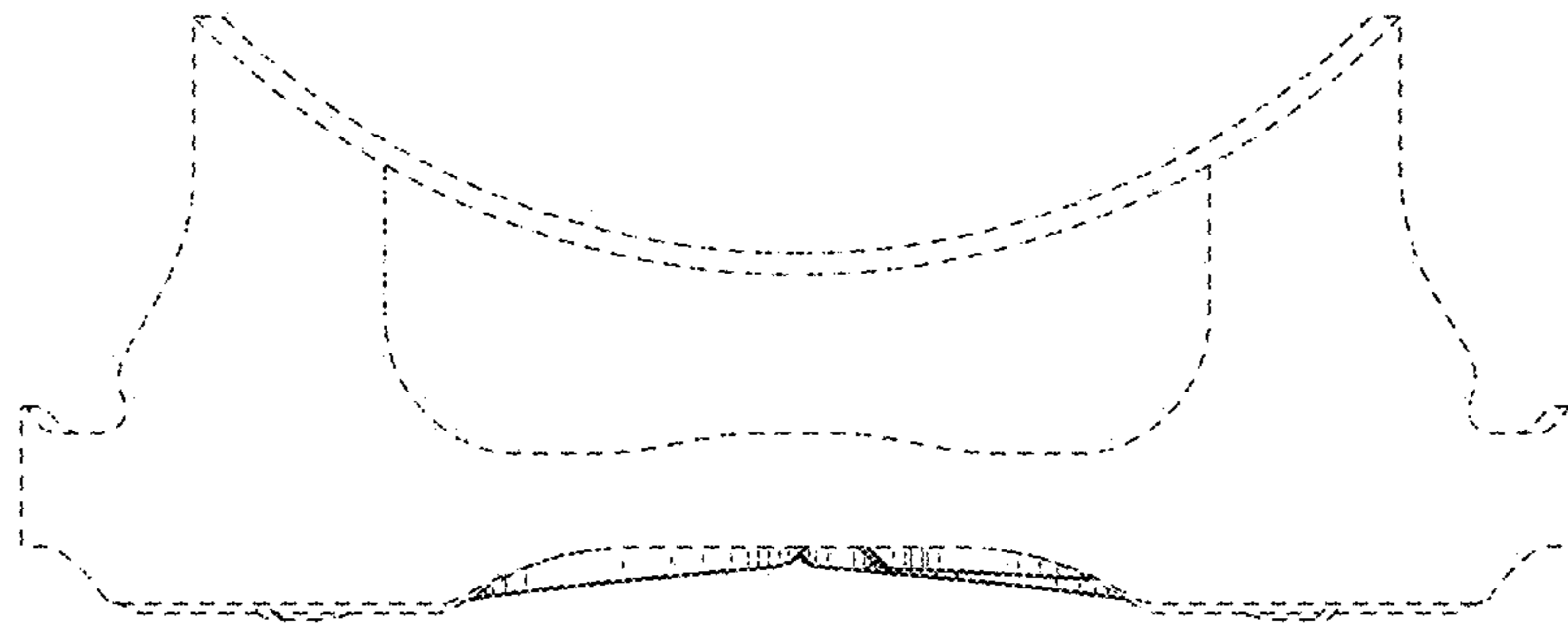


FIG. 6

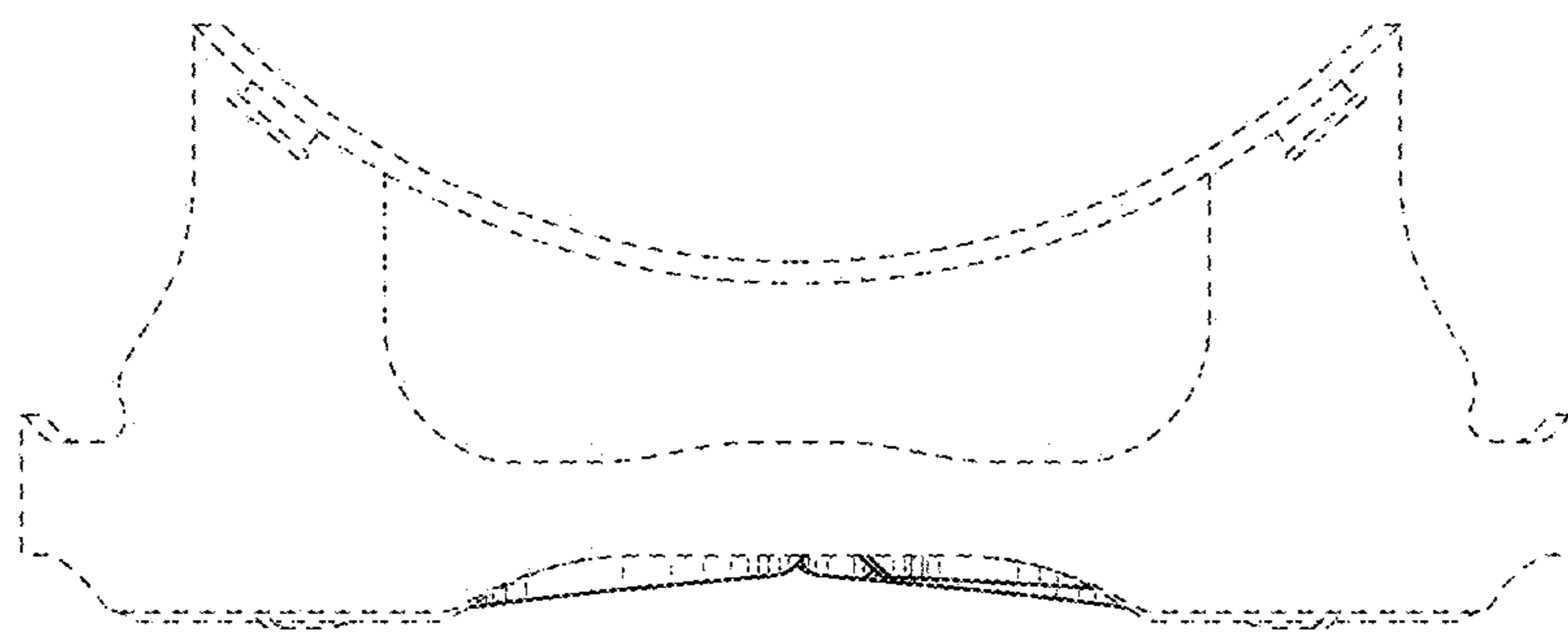


FIG. 7