



US00D937625S

(12) **United States Design Patent**
Huang

(10) **Patent No.:** **US D937,625 S**

(45) **Date of Patent:** **** Dec. 7, 2021**

- (54) **BELT**
- (71) Applicant: **XIAMEN FANOU TECHNOLOGY CO., LTD., Xiamen (CN)**
- (72) Inventor: **Yuyu Huang, Fujian (CN)**
- (73) Assignee: **XIAMEN FANOU TECHNOLOGY CO., LTD., Fujian (CN)**
- (**) Term: **15 Years**
- (21) Appl. No.: **29/772,064**
- (22) Filed: **Feb. 26, 2021**

- 5,613,657 A * 3/1997 Olaiz A61J 9/06
248/102
- D449,136 S * 10/2001 Vallance D29/100
- D512,910 S * 12/2005 Haslam D9/434
- D576,233 S * 9/2008 Rasmussen D21/694
- D626,409 S * 11/2010 Hooley D9/434
- D664,612 S * 7/2012 Pinskiy D21/662
- D666,730 S * 9/2012 Del Solar D24/194
- D704,433 S * 5/2014 Heap D3/213
- D714,142 S * 9/2014 Hojo D9/436
- D747,198 S 1/2016 Biswas et al.
- D761,924 S * 7/2016 Sato D21/662
- D786,018 S * 5/2017 Willows D7/510
- D792,104 S * 7/2017 Candell D3/316
- D795,012 S * 8/2017 Rummel D7/510

(Continued)

(30) **Foreign Application Priority Data**

Feb. 7, 2021 (EM) 008428791-0001

- (51) **LOC (13) Cl.** **07-99**
- (52) **U.S. Cl.**
USPC **D7/392.1; D7/396.2**
- (58) **Field of Classification Search**
USPC D7/509, 510, 511, 523, 532, 529, 530,
D7/392.1, 396.2, 387, 536, 624.2, 619.1,
D7/624.1, 393, 394; D9/522, 539, 656,
D9/571, 444, 552; D21/694, 662;
D3/202
CPC A47G 19/22; A47G 19/2288; A47G
19/2205; A47G 19/2211; A47G 19/2216
See application file for complete search history.

(56) **References Cited**

U.S. PATENT DOCUMENTS

- 3,088,767 A * 5/1963 Deal A45F 5/10
294/31.2
- D346,532 S * 5/1994 Ogden D7/619.1
- D347,734 S * 6/1994 Patterson D3/229
- 5,413,261 A * 5/1995 Wu A45F 3/14
215/396

OTHER PUBLICATIONS

https://www.amazon.com/Fidus-Motivational-Leakproof-Fitness-Outdoor/dp/B0868NV5ZJ/ref=psdc_3395091_t1_B08VN47QN1 Fidus Large Half Gallon/64oz Motivational Water Bottle (Year: 2020).*

(Continued)

Primary Examiner — Jae Liang
(74) *Attorney, Agent, or Firm* — ScienBiziP, P.C.

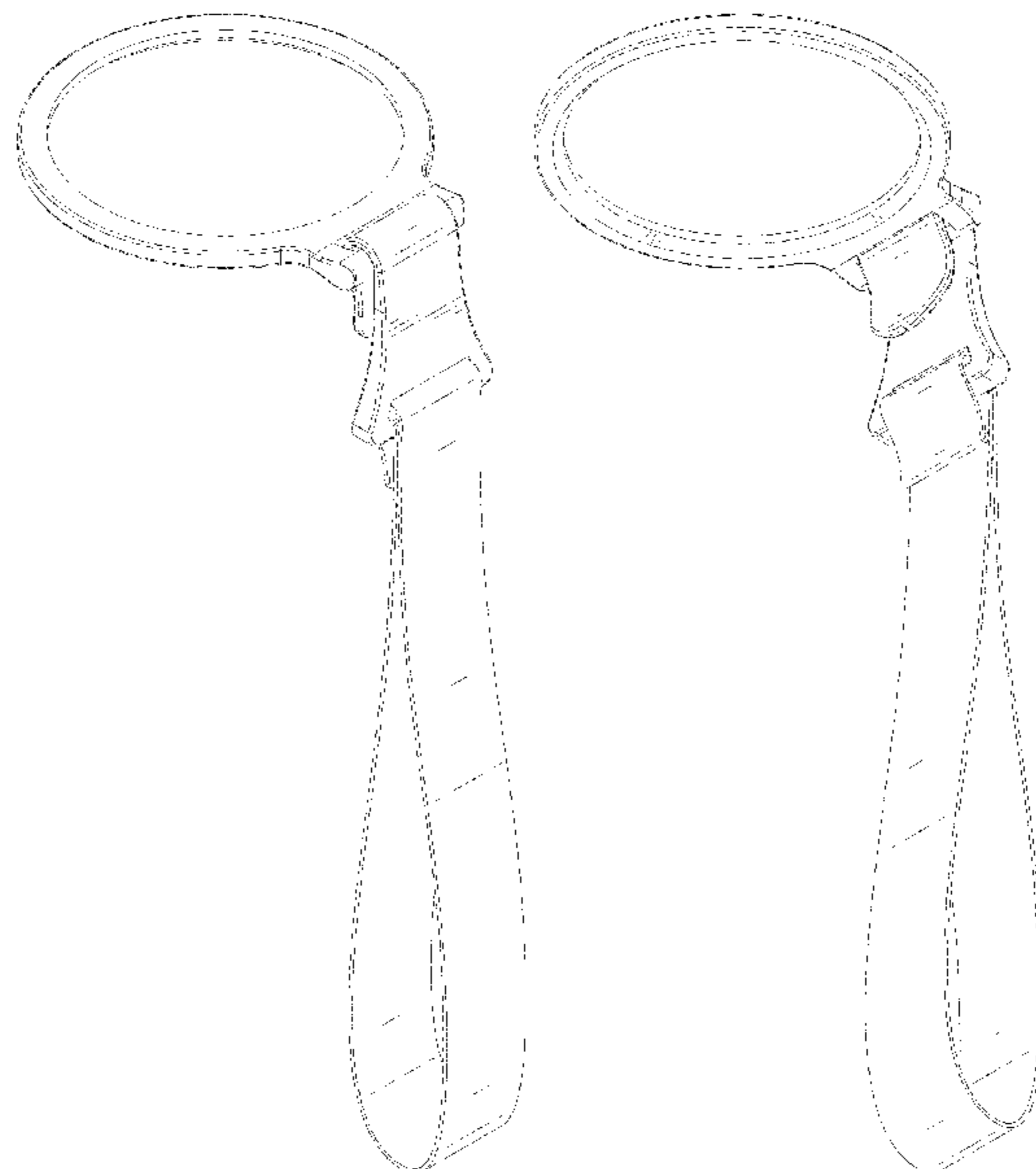
(57) **CLAIM**

The ornamental design for a belt, as shown and described.

DESCRIPTION

FIG. 1 is a front, right, and top perspective view of a belt, showing my design.
FIG. 2 is a rear, left, and bottom perspective view thereof.
FIG. 3 is a front elevation view thereof.
FIG. 4 is a rear elevation view thereof.
FIG. 5 is a left side elevation view thereof.
FIG. 6 is a right side elevation view thereof.
FIG. 7 is a top plan view thereof; and,
FIG. 8 is a bottom plan view thereof.

1 Claim, 8 Drawing Sheets



(56)

References Cited

U.S. PATENT DOCUMENTS

D800,509 S	*	10/2017	Rummel	D7/622
D804,896 S	*	12/2017	Loshuk	D7/396.2
D808,219 S	*	1/2018	Heiberger	D7/510
D813,016 S	*	3/2018	Deneau	D8/356
D831,764 S	*	10/2018	Hetrick	D21/694
D843,784 S	*	3/2019	Black	D7/507
D892,560 S	*	8/2020	Wang	D7/511
D909,815 S		2/2021	Gui		
D912,742 S	*	3/2021	Qiao	D21/694
D919,957 S	*	5/2021	Wu	D3/202
D924,556 S	*	7/2021	Wu	D3/202
2005/0274753 A1	*	12/2005	Swentor	A45F 5/10 224/148.6

OTHER PUBLICATIONS

https://www.amazon.com/Giotto-Leakproof-Drinking-Throughout-Enthusiasts-Ombre/dp/B082W66DCJ/ref=psdc_3395091_t1_B093FLD1M2 (Year: 2019).*

https://www.amazon.com/Hanging-Carabiner-Portable-Keychain-Traveling/dp/B085G2PCXS/ref=sr_1_34?dchild=1&keywords=bottle%2Bbelt&qid=1634589858&sr=8-34&th=1 (Year: 2020).*

* cited by examiner

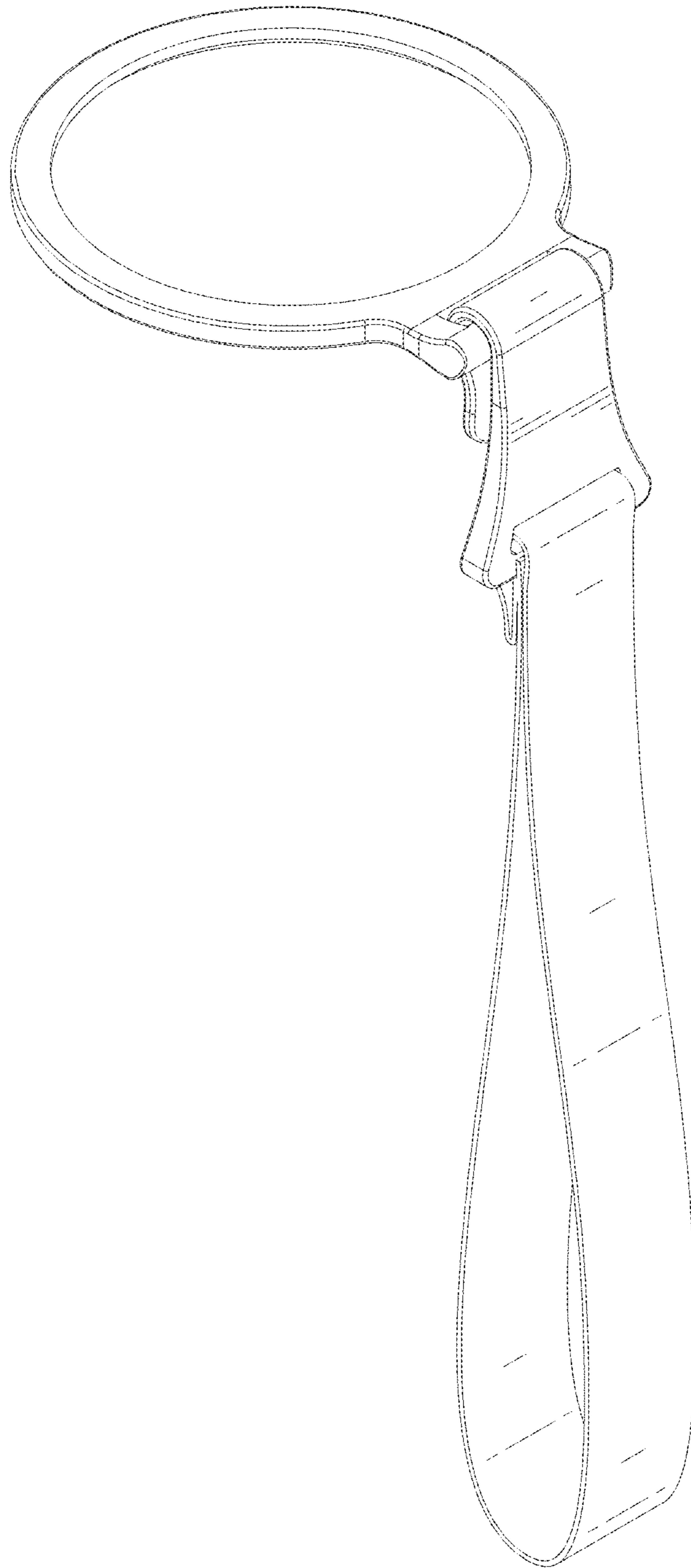


FIG.1

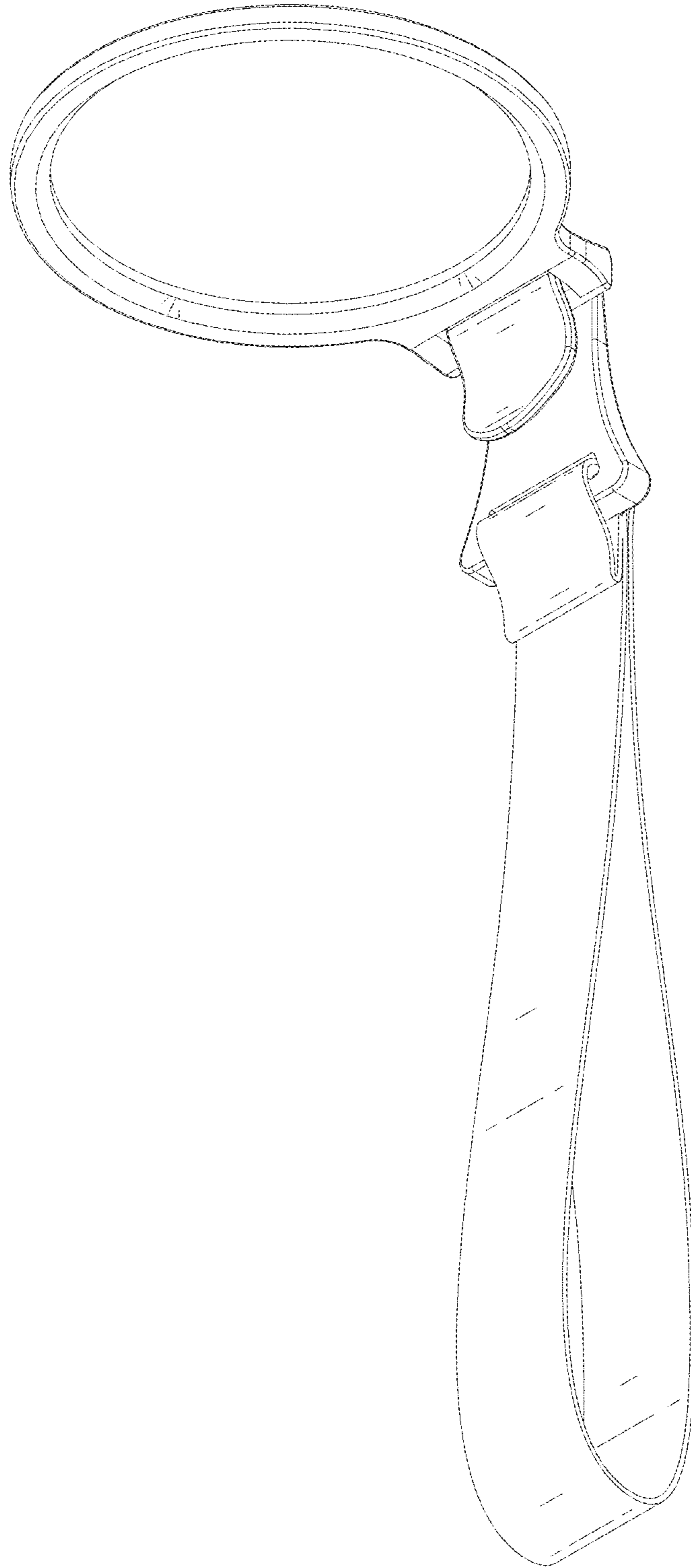


FIG.2



FIG. 3



FIG.4

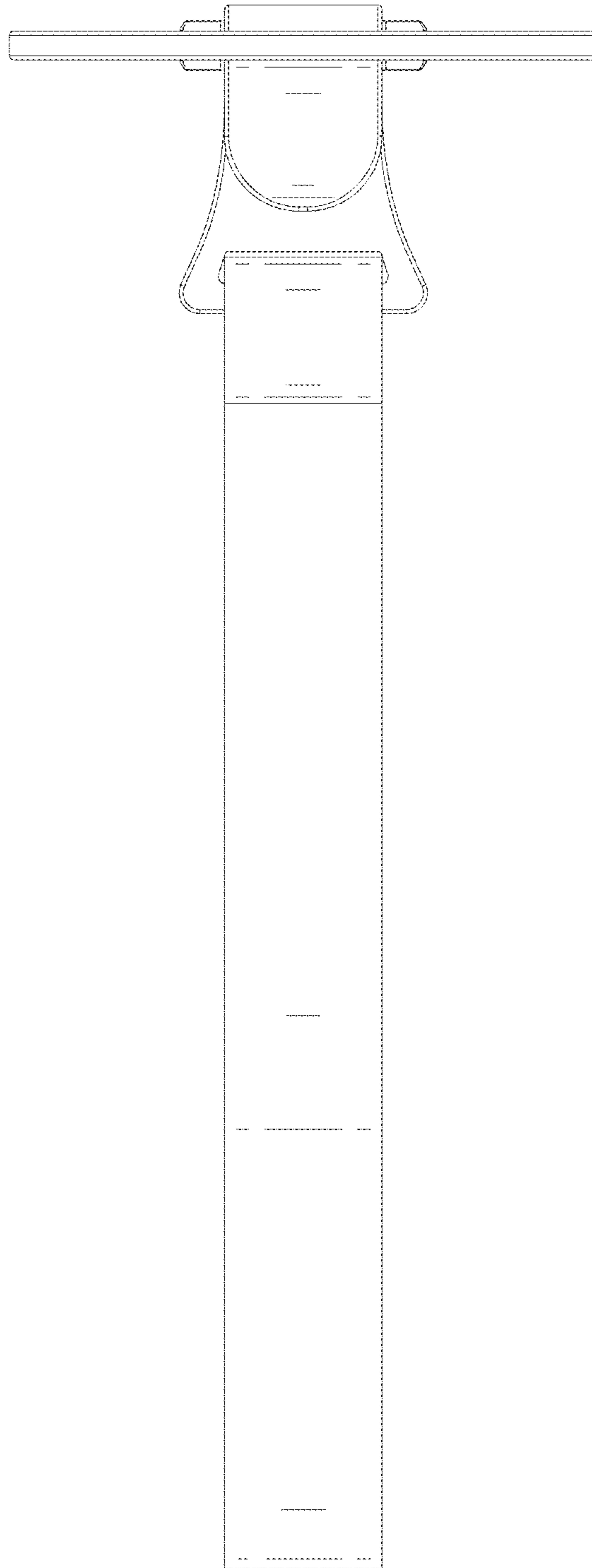


FIG. 5

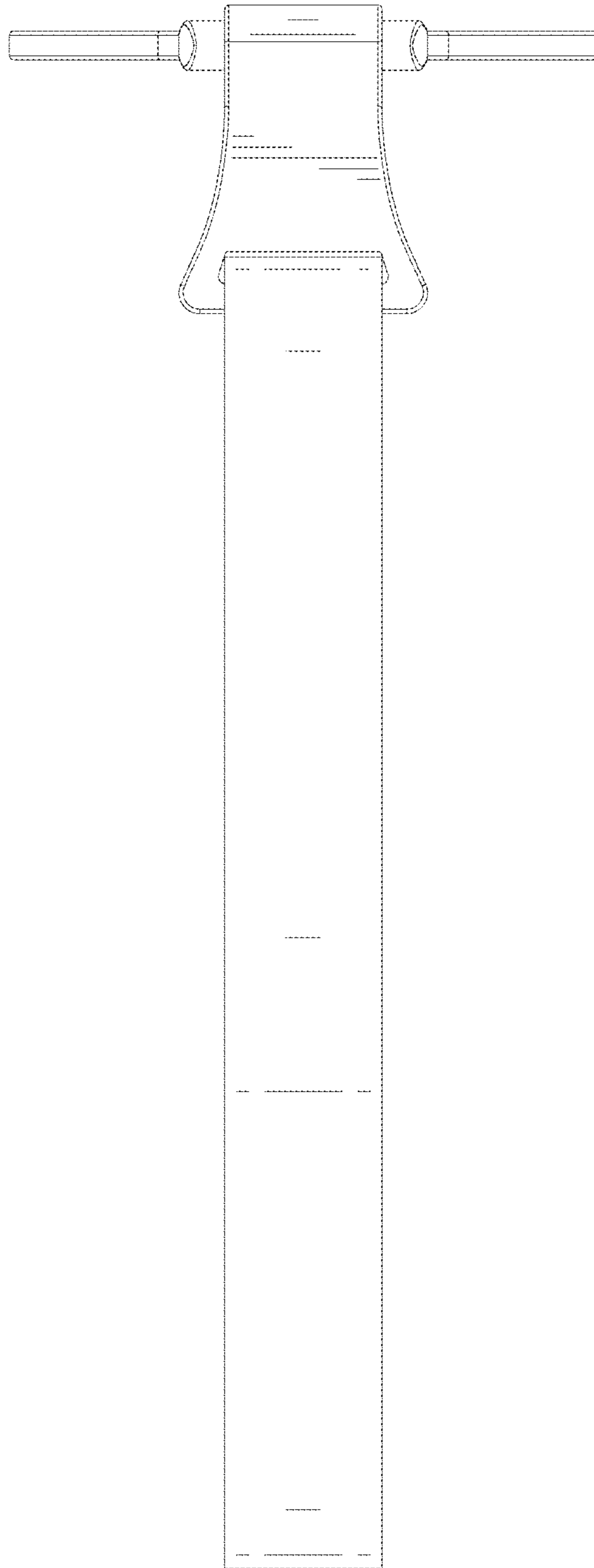


FIG. 6

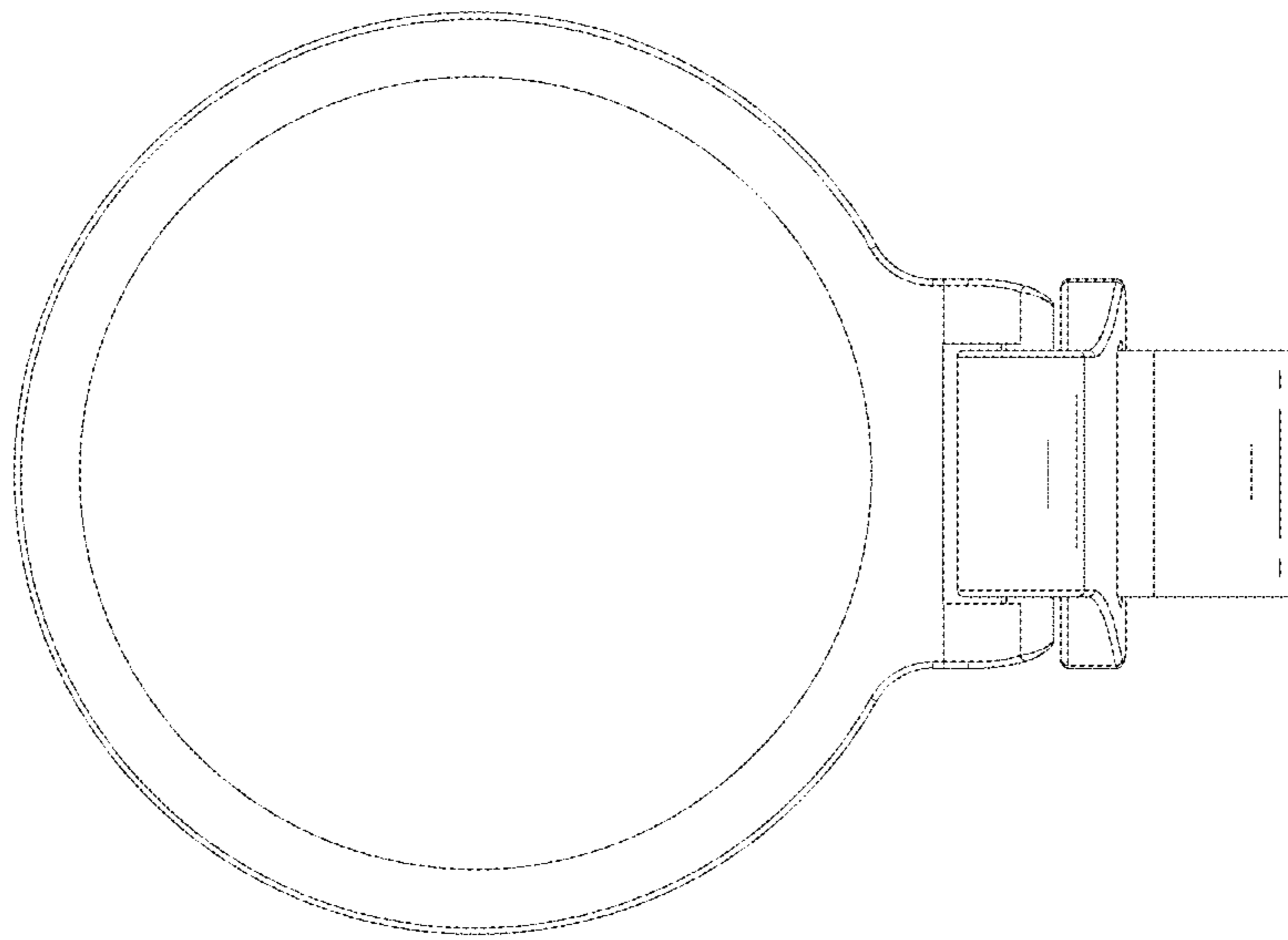


FIG. 7

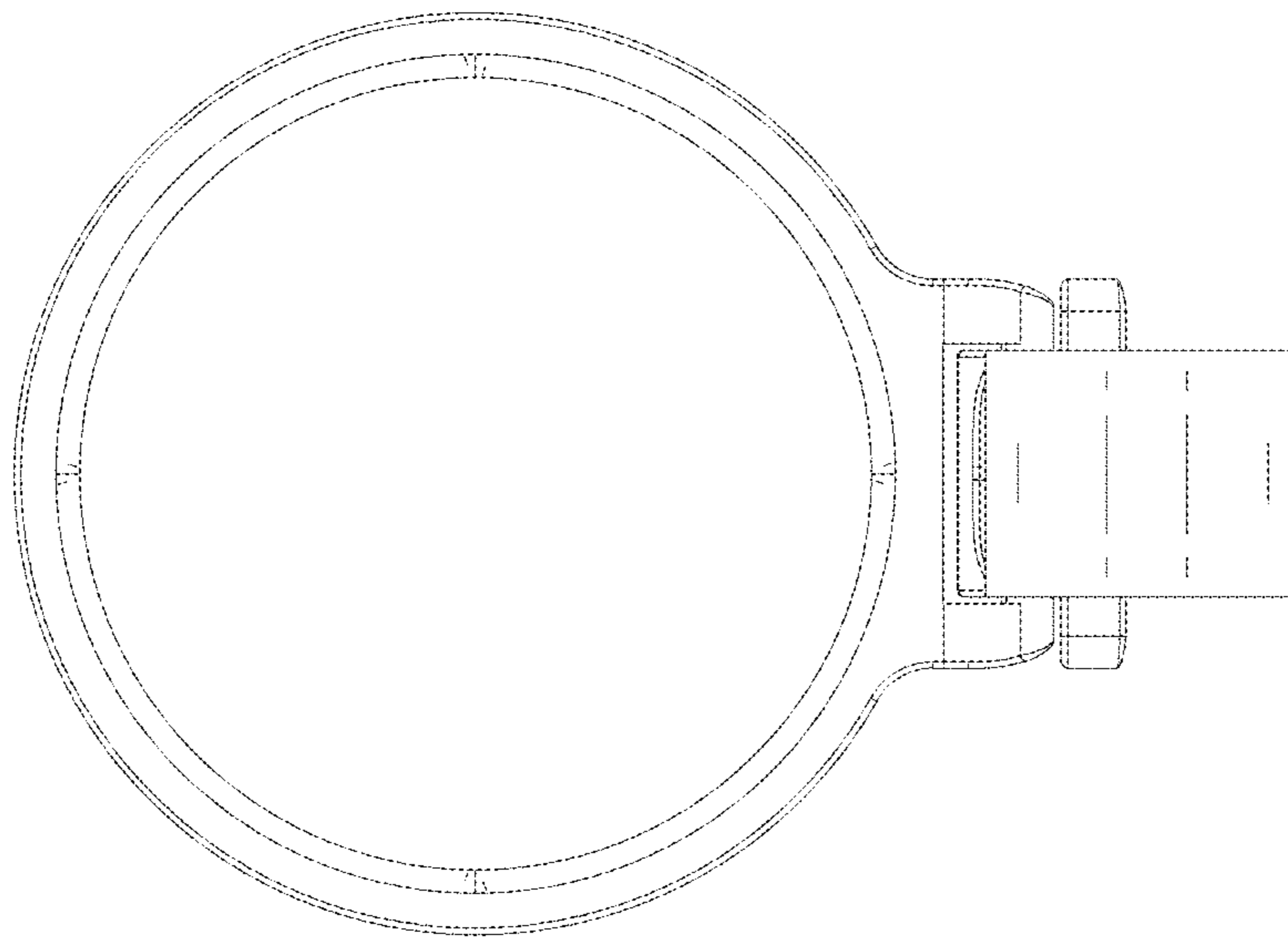


FIG.8