



US00D937623S

(12) **United States Design Patent** (10) **Patent No.:** **US D937,623 S**
Qin (45) **Date of Patent:** **** Dec. 7, 2021**

(54) **AIR FRYER**
(71) Applicant: **Instant Brands Inc.**, Ottawa (CA)
(72) Inventor: **Yi Qin**, Ottawa (CA)
(73) Assignee: **Instant Brands Inc.**, Ottawa (CA)
(**) Term: **15 Years**

D874,867 S *	2/2020	Varjabedian	D7/354
D875,463 S *	2/2020	Chen	D7/354
D878,850 S *	3/2020	Hu	D7/354
D880,220 S *	4/2020	Chen	D7/354
D882,329 S *	4/2020	Varjabedian	D7/354
D883,729 S *	5/2020	Yang	D7/354
D901,229 S *	11/2020	Ou	D7/354
D923,386 S *	6/2021	Lin	D7/354
2015/0122137 A1 *	5/2015	Chang	A47J 27/004 99/447

(21) Appl. No.: **29/743,365**

* cited by examiner

(22) Filed: **Jul. 21, 2020**

Primary Examiner — Ricky Pham

(30) **Foreign Application Priority Data**

(74) *Attorney, Agent, or Firm* — Crowell & Moring LLP

Feb. 11, 2020 (CN) 202030052140.X

(51) **LOC (13) Cl.** **07-02**

(52) **U.S. Cl.**
USPC **D7/354**

(58) **Field of Classification Search**

USPC D7/323, 354-361
CPC A23L 1/01; A23L 1/0107; A23L 1/0114;
A47J 27/00; A47J 27/004; A47J 27/08;
A47J 27/09; A47J 27/092; A47J 36/025;
A47J 36/06; A47J 36/08; A47J 36/10;
A47J 36/12; A47J 36/18; A47J 36/20;
A47J 36/22; A47J 36/165; A47J 37/00;
A47J 37/12; A47J 37/129; A47J 37/1204;
A47J 37/1209; A47J 37/1214; A47J
37/1219; A47J 37/1266; A47J 37/1285;
A47J 37/1295; G07F 17/0064; G07F
17/0078; G07F 17/0085; H05B 6/02;
H05B 6/06; H05B 6/12

See application file for complete search history.

(56) **References Cited**

U.S. PATENT DOCUMENTS

D719,397 S *	12/2014	Krooshof	A47J 37/0641 D7/354
D836,381 S *	12/2018	Moon	D7/354
D848,199 S *	5/2019	Kowalewski	D7/354
D871,827 S *	1/2020	Moon	D7/354

(57) **CLAIM**

The ornamental design for an air fryer, as shown and described.

DESCRIPTION

FIG. 1 is a front elevation view of an air fryer showing my new design;
FIG. 2 is a rear elevation view thereof;
FIG. 3 is a left side elevation view thereof;
FIG. 4 is a right side elevation view thereof;
FIG. 5 is a top plan view thereof;
FIG. 6 is a bottom plan view thereof; and,
FIG. 7 is a top, front, right perspective view thereof.
The broken lines in the drawings depict portions of the air fryer that form no part of the claimed design.

1 Claim, 7 Drawing Sheets

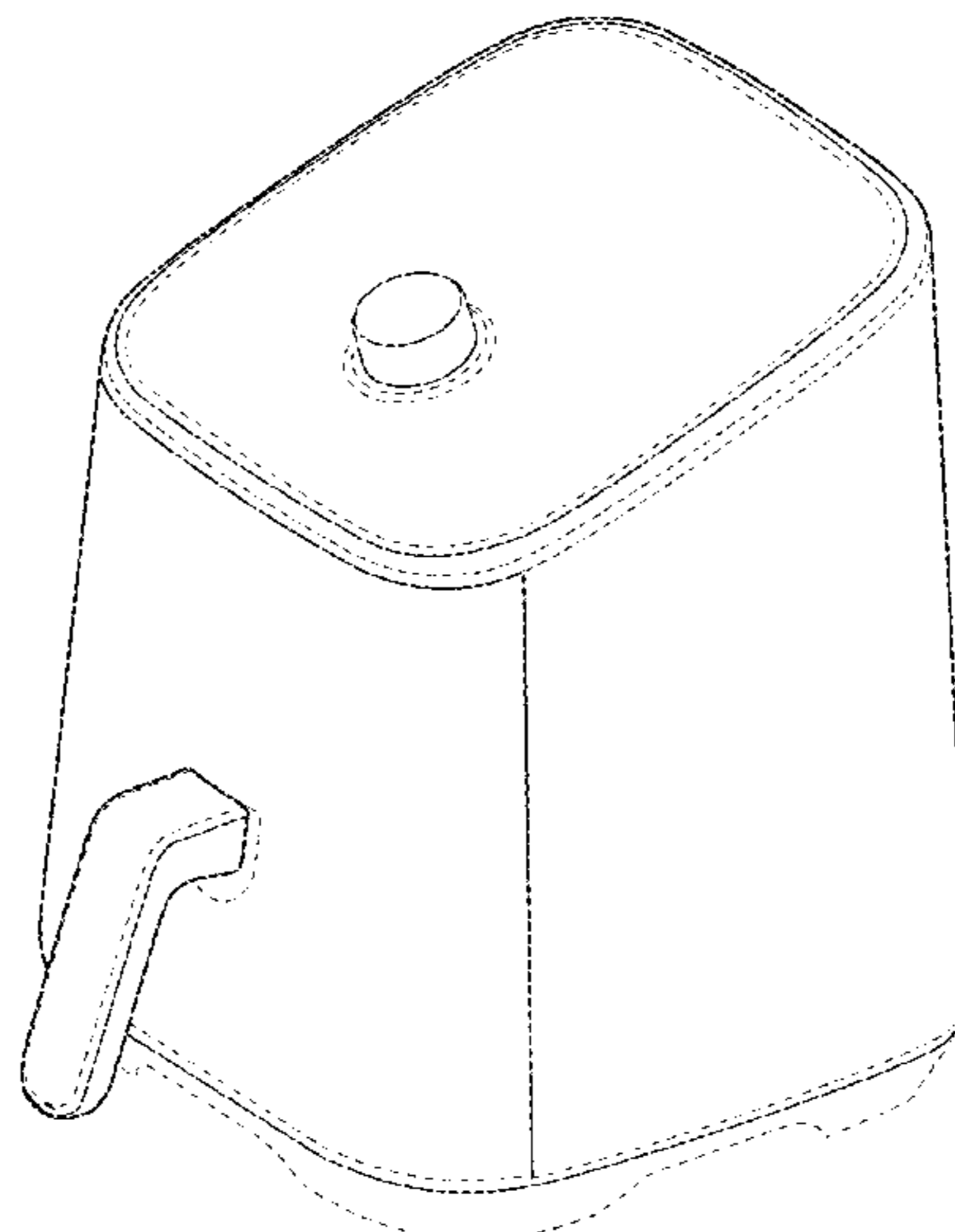


FIG. 1

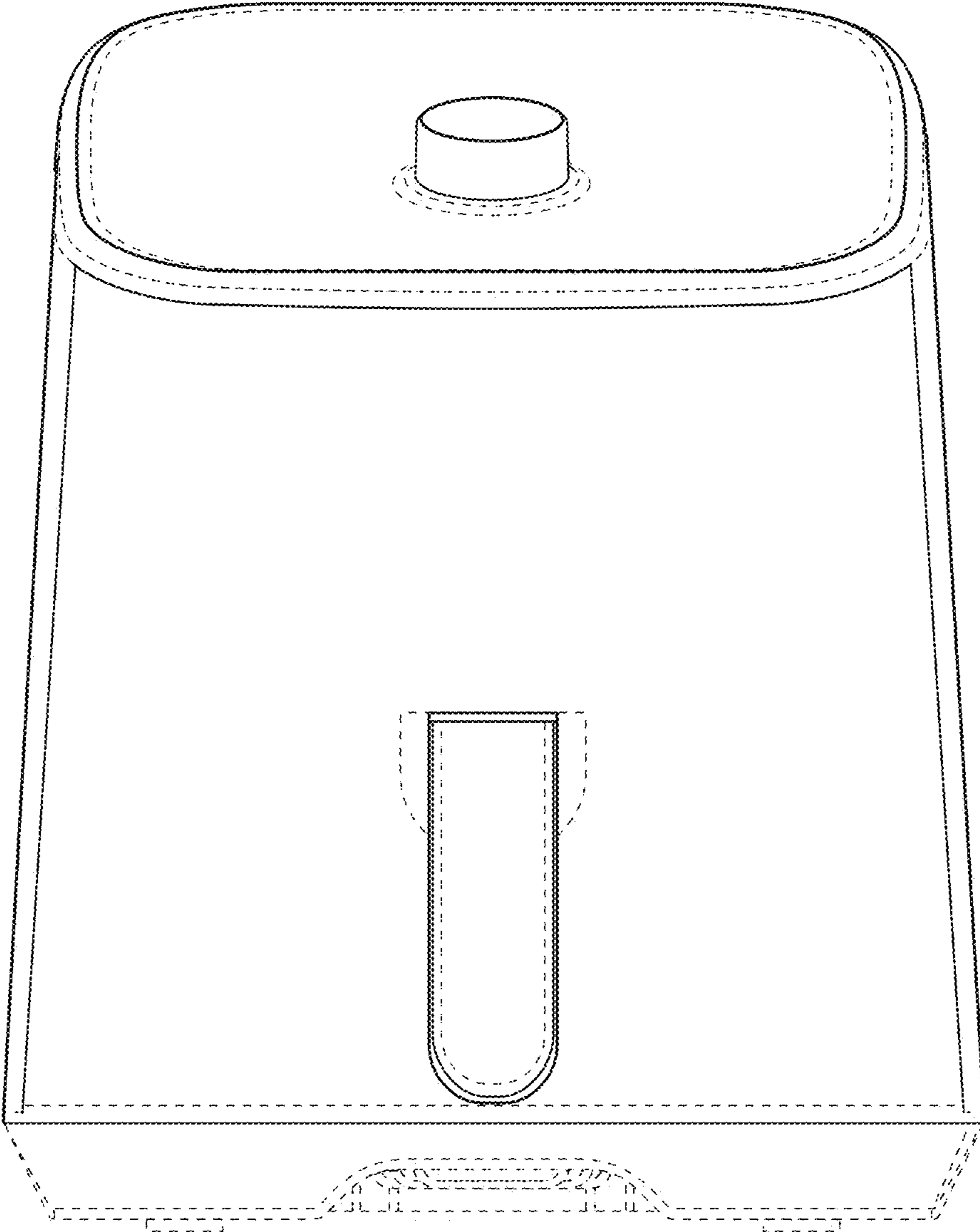


FIG. 2

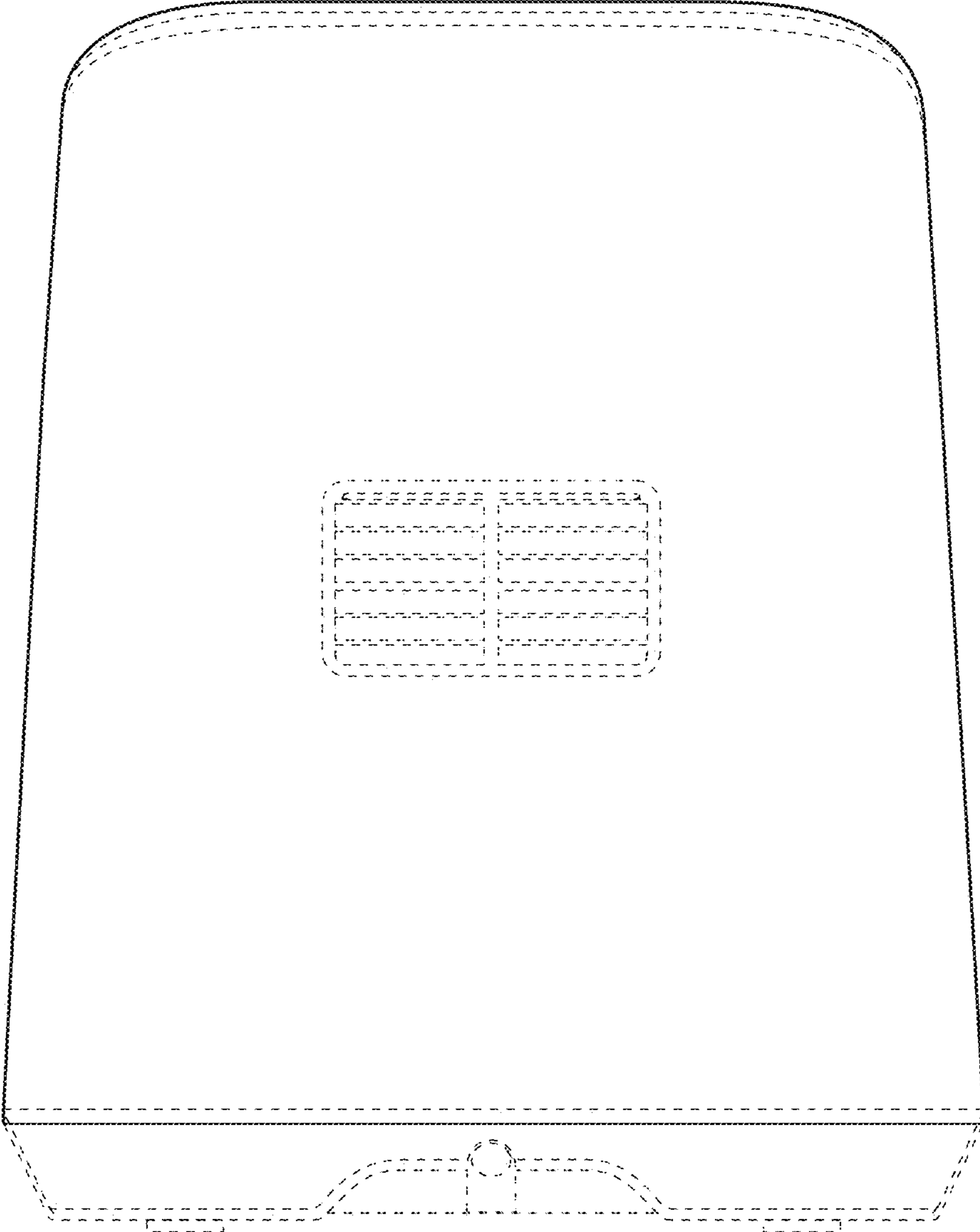


FIG. 3

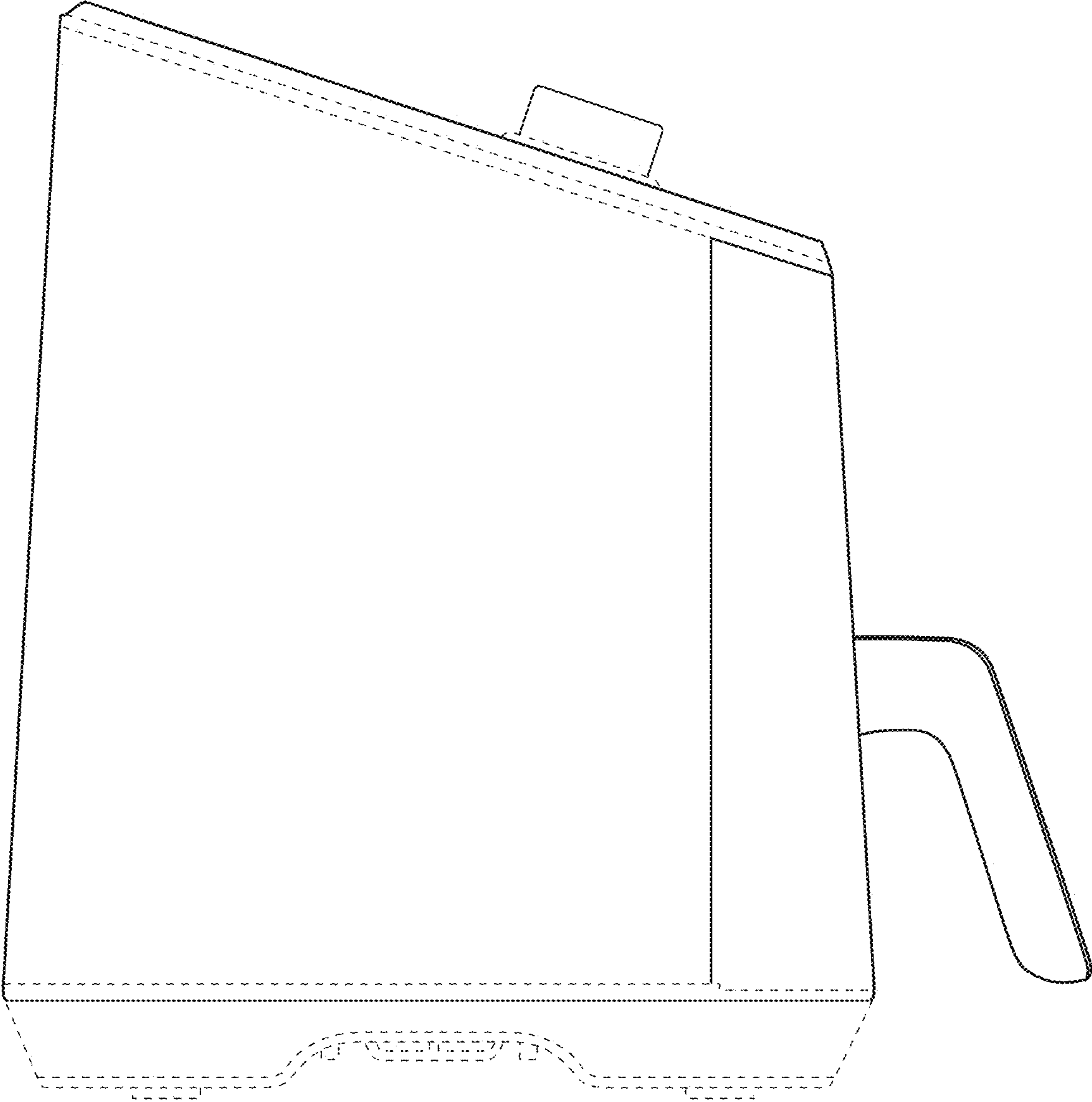


FIG. 4

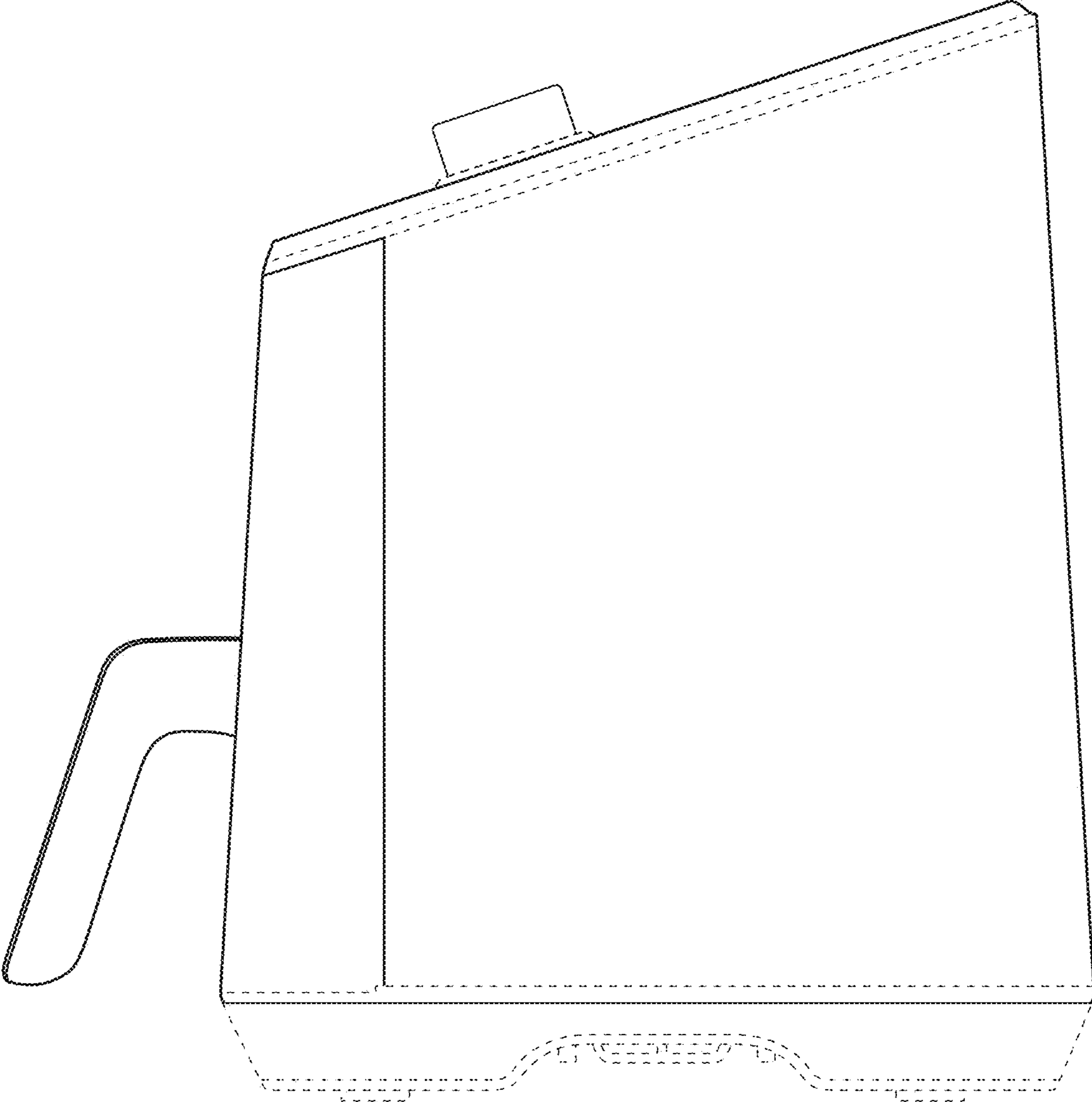


FIG. 5

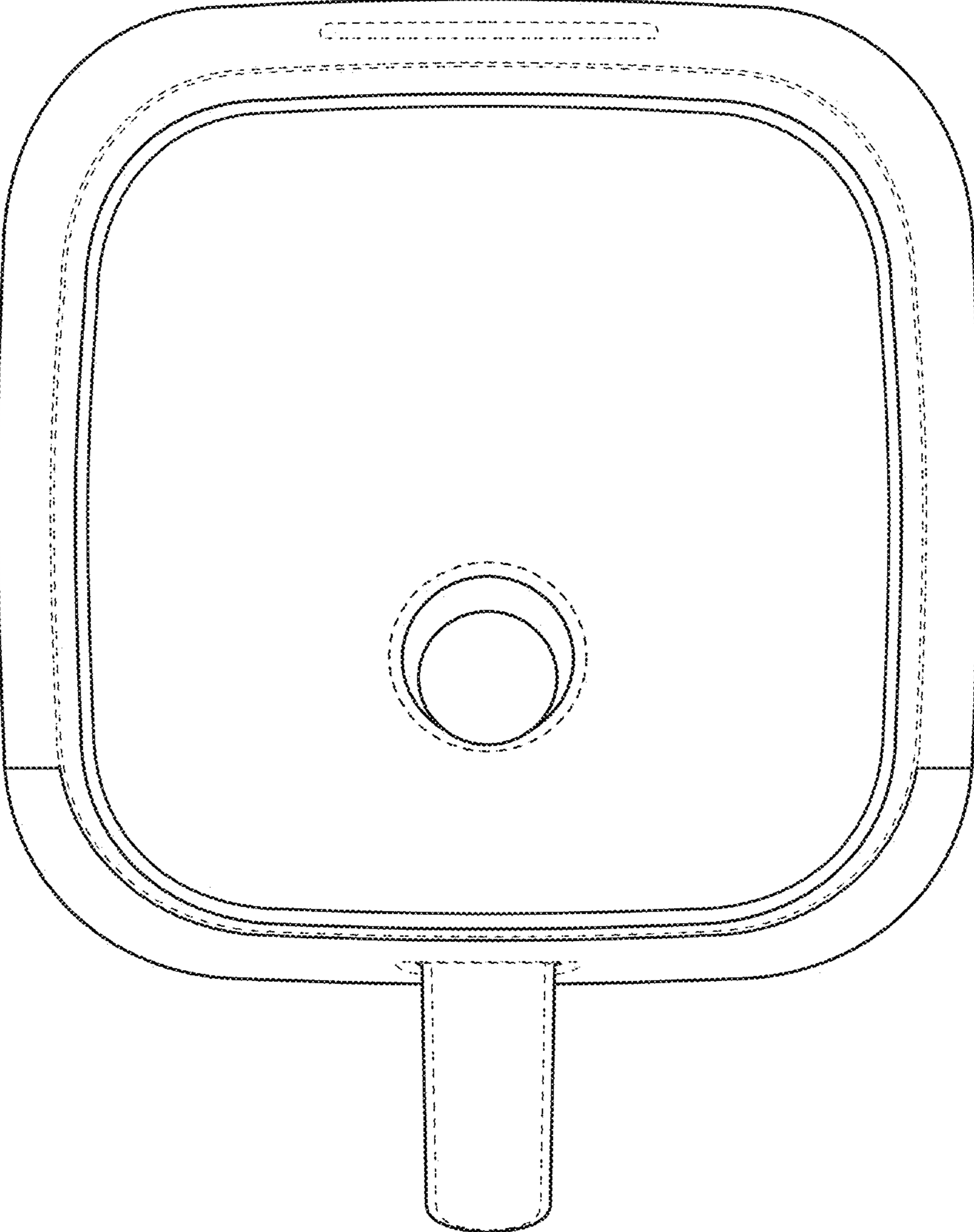


FIG. 6

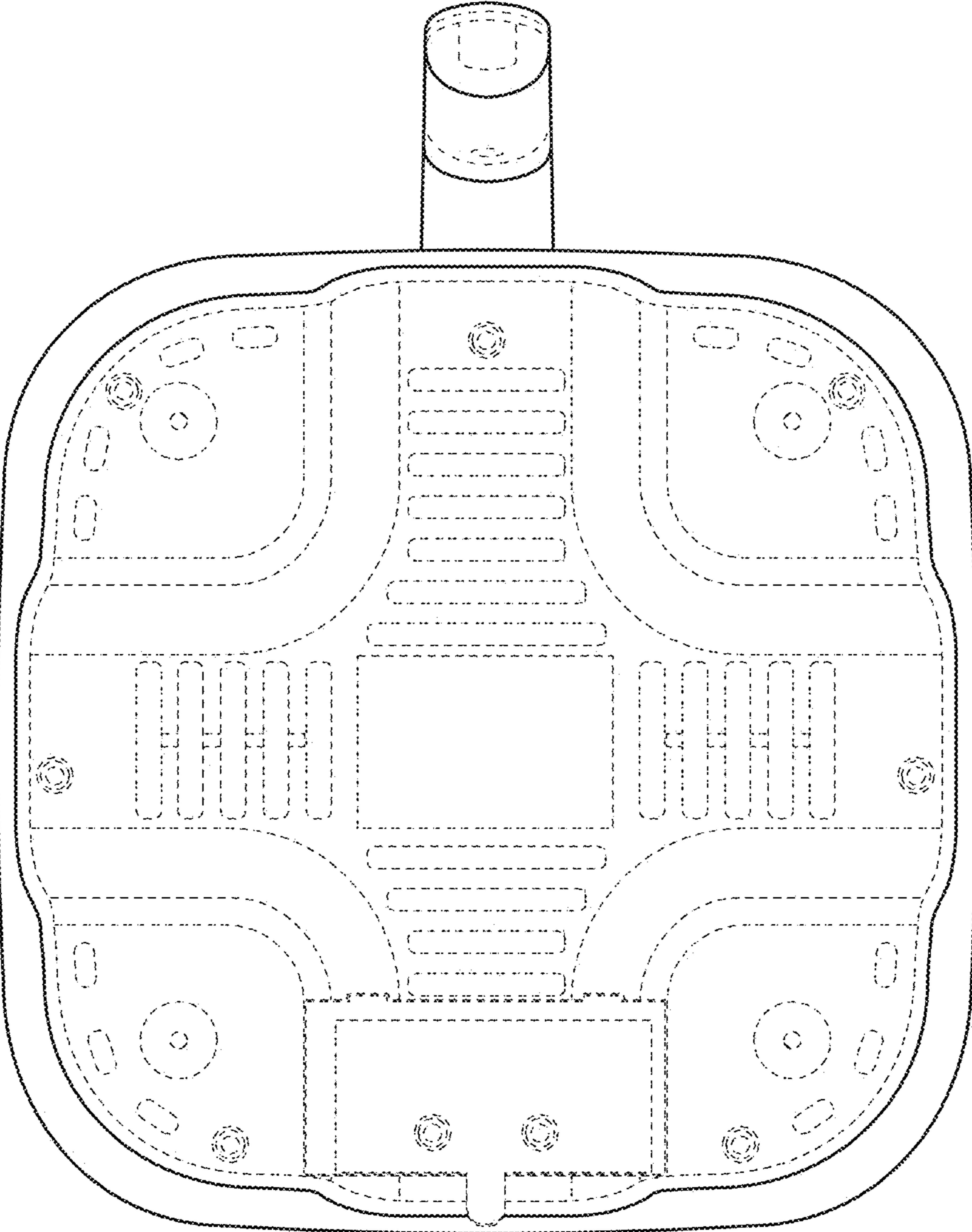


FIG. 7

