



US00D937621S

(12) **United States Design Patent** (10) **Patent No.:** **US D937,621 S**
Bergman et al. (45) **Date of Patent:** **** Dec. 7, 2021**

(54) **DOMESTIC SODA-WATER PREPARING DEVICE**

B67D 2001/0089; B67D 1/04; B01D 2201/0087;

(Continued)

(71) Applicant: **SodaStream Industries Ltd.**, Airport City (IL)

(56) **References Cited**

U.S. PATENT DOCUMENTS

(72) Inventors: **Mel Bergman**, Tel Aviv (IL); **Oded Gov**, Tel Aviv (IL); **Amit Avigdor**, Kibbutz Bahan (IL)

D204,152 S * 3/1966 Knodt D7/310
D207,526 S * 4/1967 Martin D7/311
(Continued)

FOREIGN PATENT DOCUMENTS

(73) Assignee: **Sodastream Industries Ltd.**, Kfar Saba (IL)

AR 94861-0001 * 7/2019
BR 302019001359-0001 * 10/2019

(Continued)

(**) Term: **15 Years**

OTHER PUBLICATIONS

(21) Appl. No.: **29/686,491**

El-Waylly, Sohla, "The Best Soda Machines," Aug. 10, 2018, Serious Eats, www.serioouseats.com/the-best-soda-machines (Year: 2018).*

(22) Filed: **Apr. 4, 2019**

(Continued)

(30) **Foreign Application Priority Data**

Oct. 4, 2018 (IL) 62747

Primary Examiner — Michelle E. Wilson

(51) **LOC (13) Cl.** **07-01**

Assistant Examiner — Arva P Adams

(52) **U.S. Cl.**

(74) *Attorney, Agent, or Firm* — Pearl Cohen Zedek Latzer Baratz LLP

USPC **D7/306**

(57) **CLAIM**

(58) **Field of Classification Search**

The ornamental design for a domestic soda-water preparing device, as shown and described.

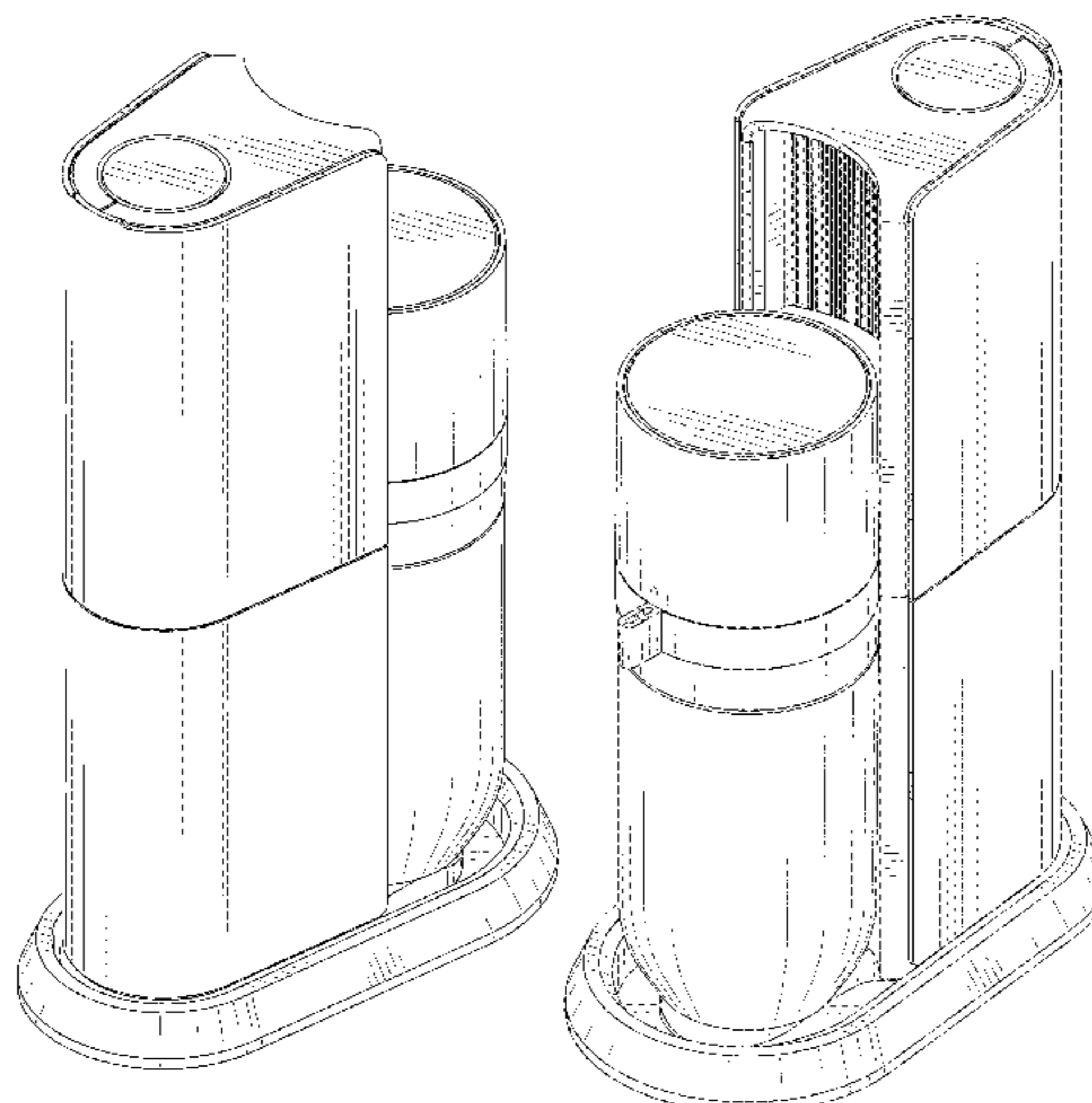
USPC D7/213, 300, 305-313, 397-400, 401, D7/665; D9/417, 434, 435, 444, 445, D9/499; D20/1, 4; D23/259-262; D15/7, 82, 147; D24/133, 134, 152, 157, D24/176, 220, 221; D34/1

DESCRIPTION

CPC A23C 9/122; A47J 31/00; A47J 31/0573; A47J 31/18; A47J 31/407; A47J 31/44; A47J 31/4403; A47J 31/46; A47J 31/50; A47J 31/52; A47J 27/04; A47J 31/36; B67D 1/0021; B67D 1/0085; B67D 1/0086; B67D 1/0857; B67D 1/0867;

FIG. 1 is a front elevation view of the domestic soda-water preparing device;
FIG. 2 is a right side elevation view thereof;
FIG. 3 is a top plan view thereof;
FIG. 4 is a bottom plan view thereof;
FIG. 5 is a back elevation view thereof;
FIG. 6 is a left side elevation view thereof;
FIG. 7 is a top, rear, left side perspective view thereof; and,
FIG. 8 is a top, front, right side perspective view thereof.

(Continued)



The broken lines that appear on the drawings form no part of the claimed design and are included for illustrative purposes only.

1 Claim, 8 Drawing Sheets

(58) Field of Classification Search

CPC B01D 2201/29; B01D 2201/291; B01D 2201/30; B01D 2201/301; B01D 2201/306; A61C 13/00; A61C 5/60; A61C 5/62; A61C 5/68; A61C 9/0026; A61M 3/00; A61M 3/005; B65D 83/00; B65D 83/0055; B65D 35/14; B65D 35/36; B65D 35/46; A47K 5/12

See application file for complete search history.

(56) References Cited

U.S. PATENT DOCUMENTS

D218,191 S * 7/1970 Tevolitz D7/309
 D489,214 S * 5/2004 Noda D7/309
 D552,402 S * 10/2007 Schwamkrug D7/309
 D602,303 S * 10/2009 Cahen D7/309
 D610,857 S * 3/2010 Pateman D7/306
 D682,598 S * 5/2013 Wu D7/306
 D726,482 S * 4/2015 Cahen D7/309
 D759,416 S * 6/2016 Kim D7/306
 D773,878 S * 12/2016 Lee G07F 9/026
 D7/310
 D799,879 S * 10/2017 Shmueli D7/306
 D869,217 S * 12/2019 Stropkay D7/306
 D888,485 S * 6/2020 Kim A47J 31/407
 D7/306

D914,423 S * 3/2021 Herrmann A47J 31/469
 D7/300
 2003/0066431 A1* 4/2003 Fanzutti A47J 31/469
 99/279
 2014/0253336 A1* 9/2014 Ophardt G08C 17/02
 340/573.1
 2017/0007068 A1* 1/2017 Cahen G07F 9/026
 2017/0360241 A1* 12/2017 Gudmundsson A47J 31/407
 2021/0131724 A1* 5/2021 Lee B01F 7/00

FOREIGN PATENT DOCUMENTS

CA 132649 * 6/2010
 CN 302407231 * 4/2013
 CN 302792366 * 4/2014
 CN 303361420 * 9/2015
 CN 303873342 * 9/2016
 CN 305526680 * 12/2019
 EM 006364246-0001 * 4/2019
 JP D1647486 * 12/2019

OTHER PUBLICATIONS

Crystal Mountain, "Storm Bottled Water Cooler" Brochure, 2018, pp. 1-2 (Year: 2018).*

SodaStream, "SodaStream Aqua Fizz Sparkling Water Machine," Sep. 24, 2018, Amazon.com, www.amazon.com/dp/B07Y45ZXYT (Year: 2018).*

Kurier.at, "Zukunftsweisende—Innovation bei SodaStream: Wassersprudlerhersteller bringt neue Sprudler—Generation "DUO" auf den Markt," Sep. 15, 2020, <https://kurier.at/apa-ots/lifestyle/zukunftsweisende-innovation-bei-sodastream-wassersprudlerhersteller-bringt-neue-sprudler-generation/401032211> (Year: 2020).*

SodaStream, "SodaStream Duo Wassersprudler Titan," Oct. 22, 2020, Amazon.de, www.amazon.de/dp/B08LNX95G8 (Year: 2020).*

* cited by examiner

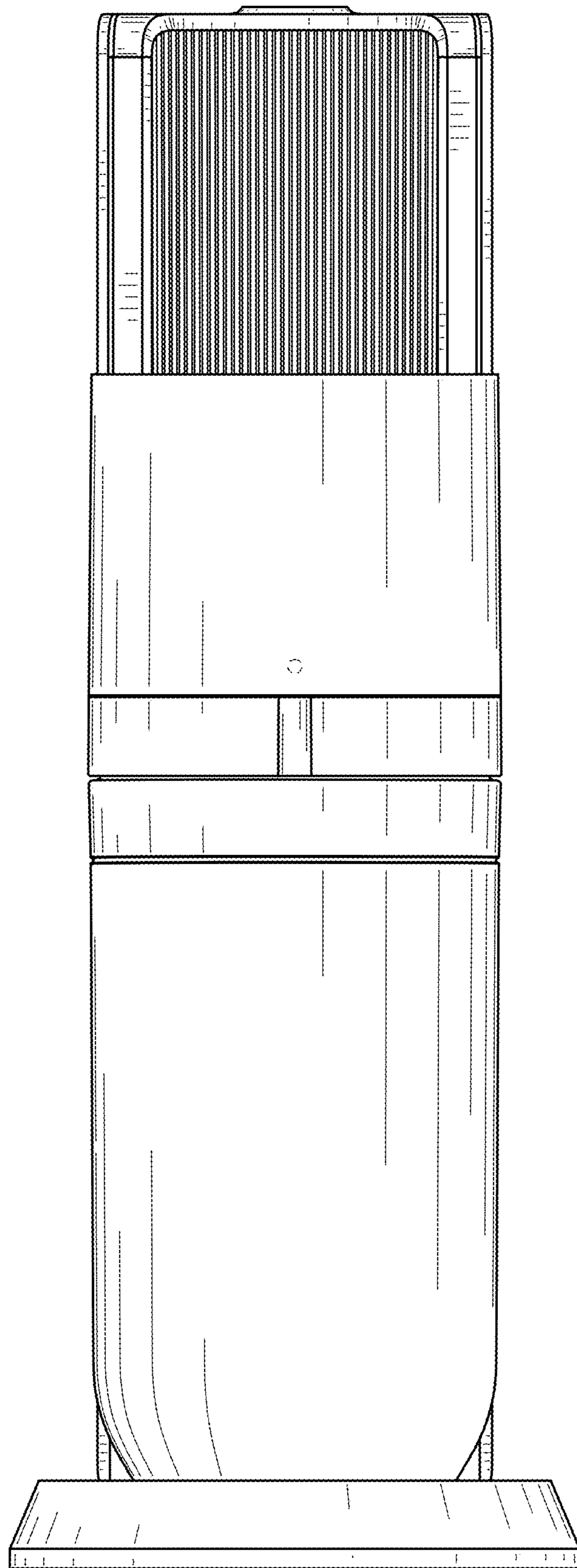


FIG. 1

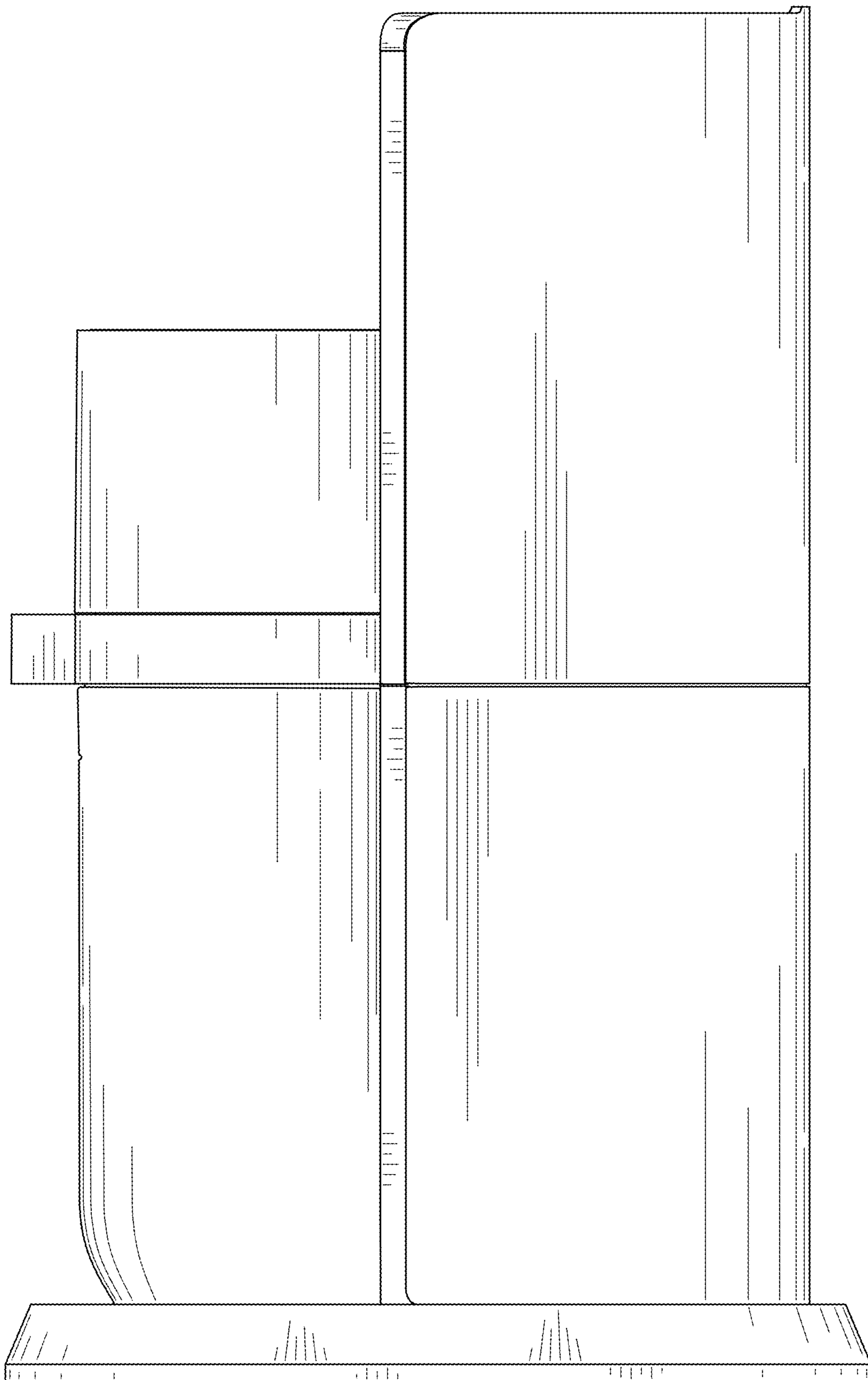


FIG. 2

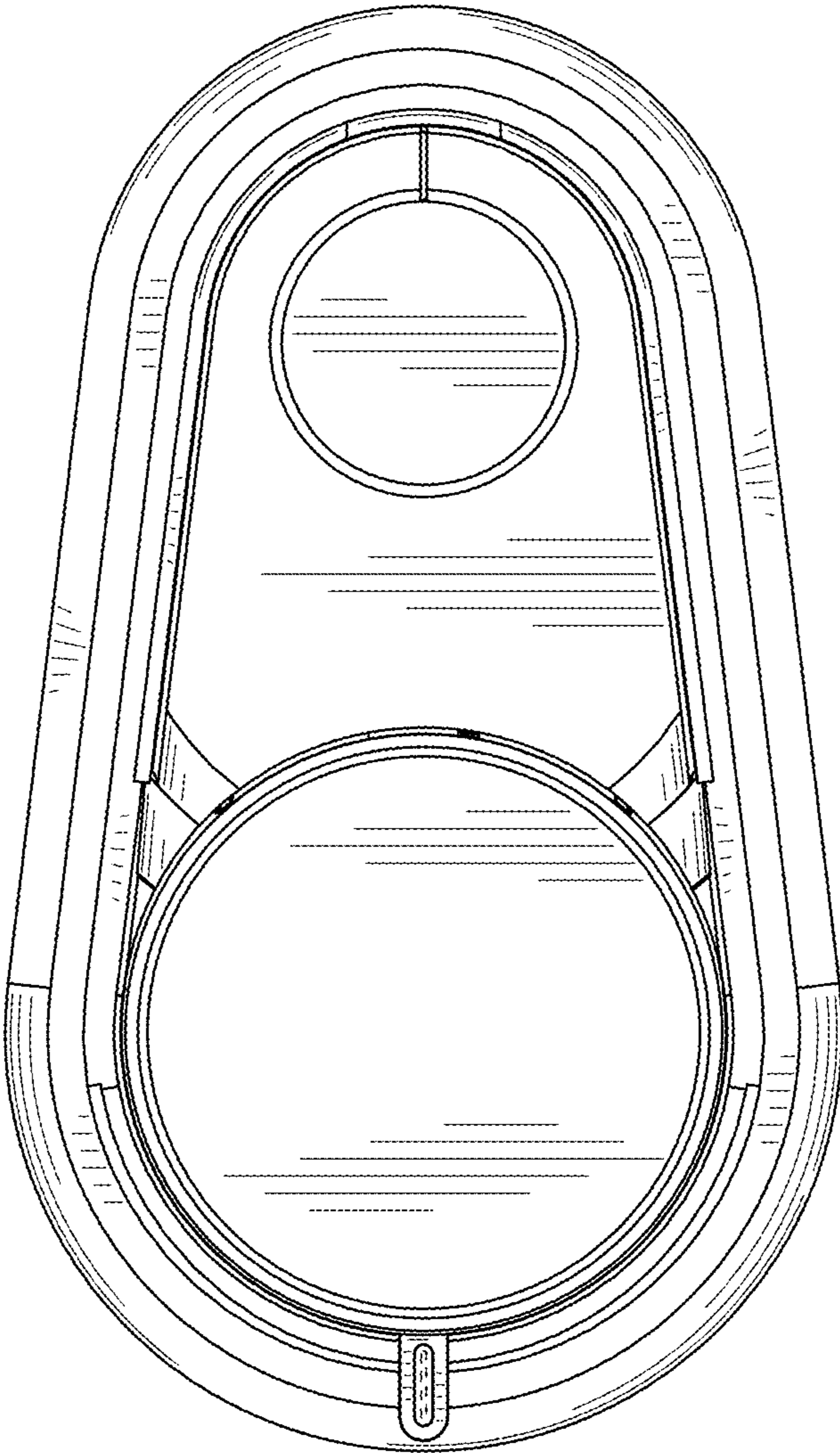


FIG. 3

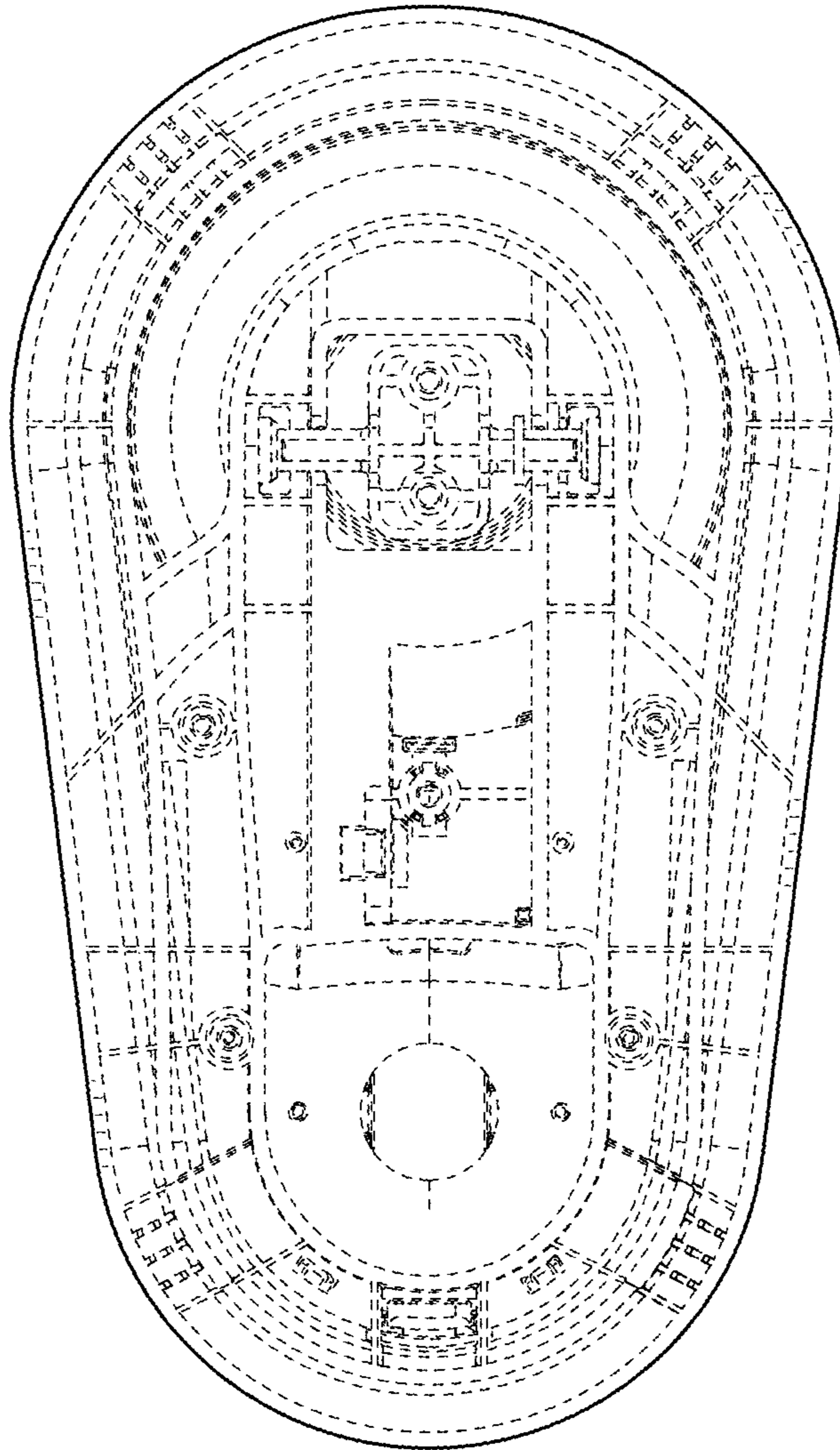


FIG. 4

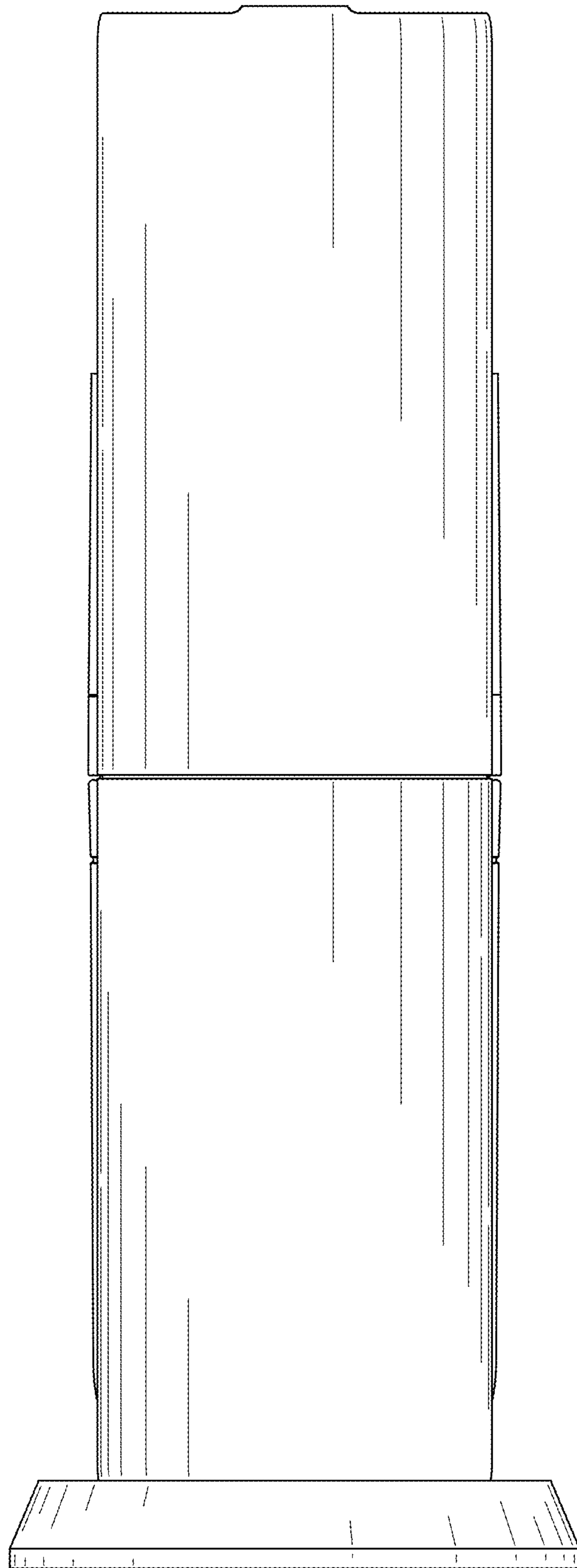


FIG. 5

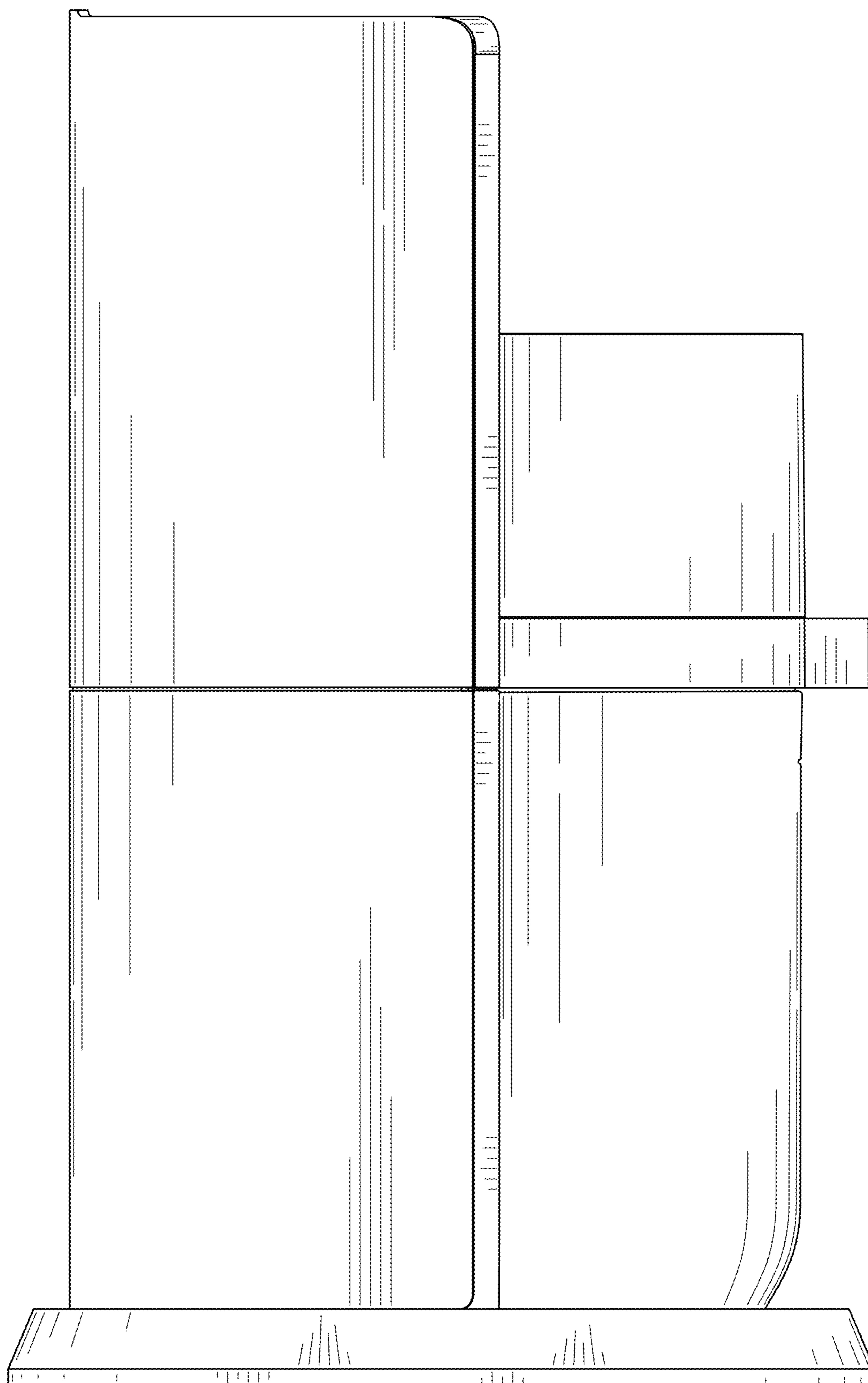


FIG. 6

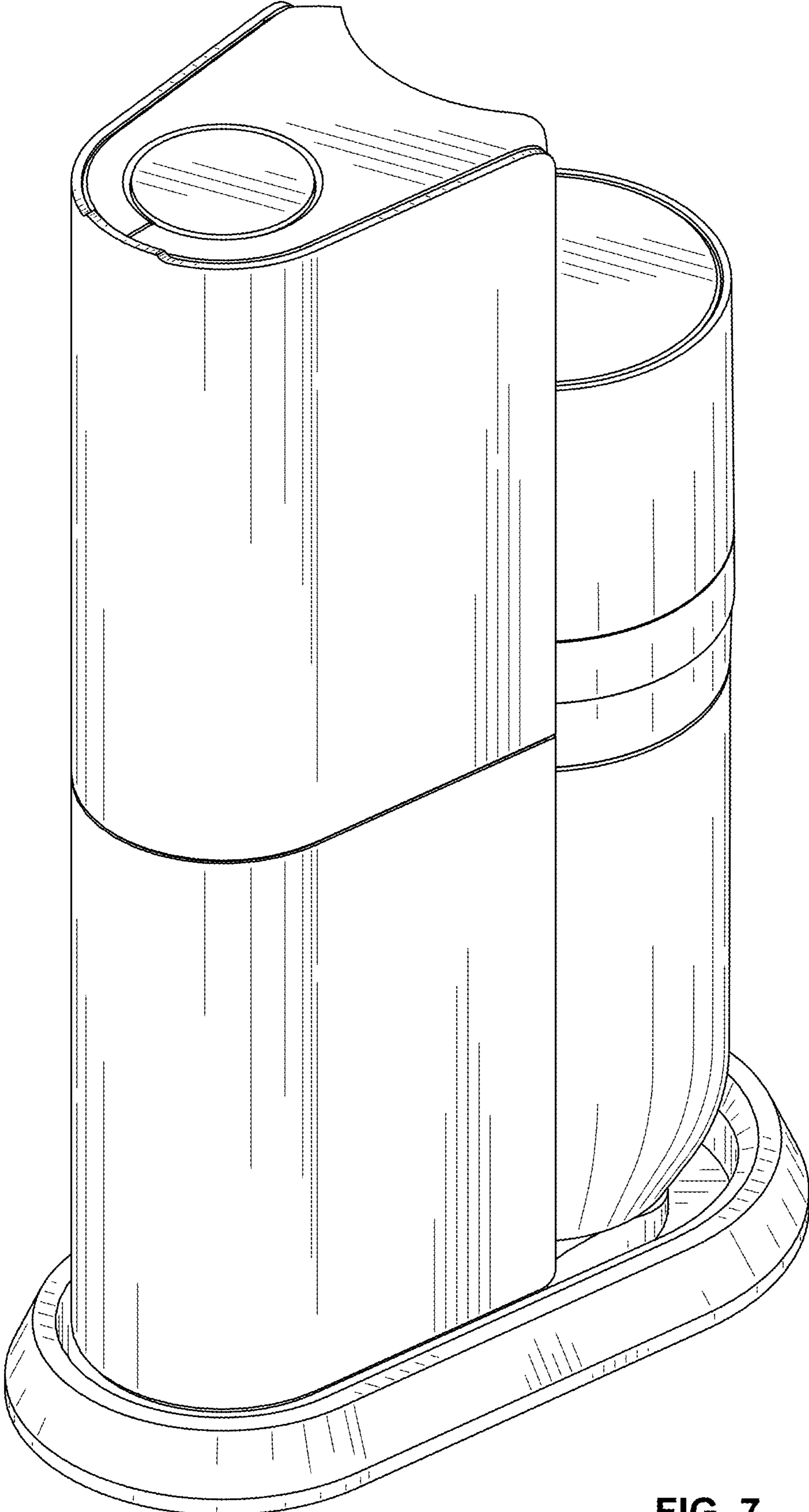


FIG. 7

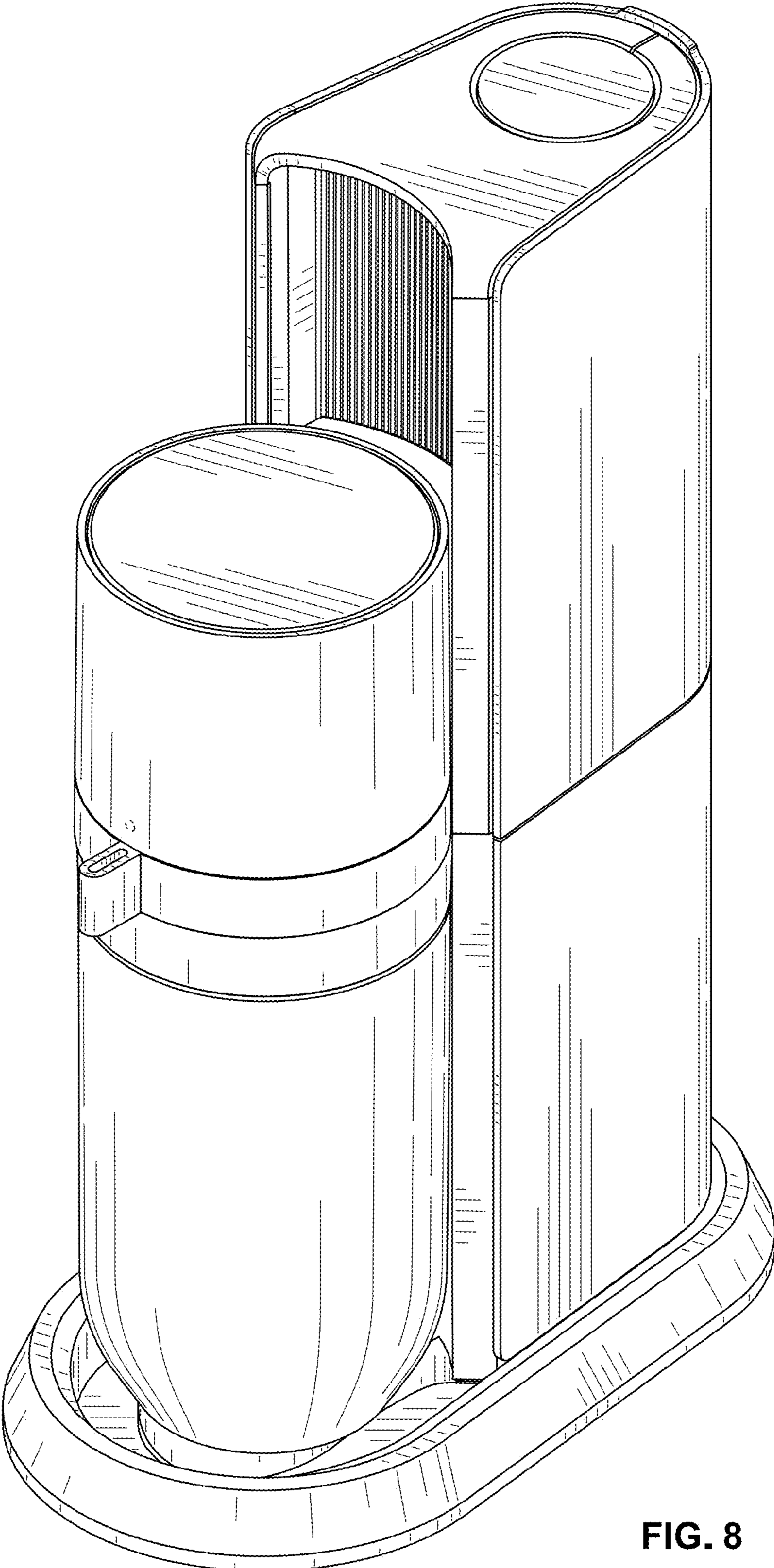


FIG. 8