



US00D937620S

(12) **United States Design Patent** (10) **Patent No.:** **US D937,620 S**  
**Raab** (45) **Date of Patent:** **\*\* Dec. 7, 2021**

(54) **FITTINGS FOR FURNITURE**

(71) Applicant: **DewertOkin GmbH**, Kirchlegern (DE)

(72) Inventor: **Valerie Raab**, Großalmerode (DE)

(73) Assignee: **DewertOkin GmbH**, Kirchlegern (DE)

(\*\*) Term: **15 Years**

(21) Appl. No.: **35/509,432**

(22) Filed: **May 7, 2020**

(80) **Hague Agreement Data**

Int. Filing Date: **May 7, 2020**

Int. Reg. No.: **DM/208052**

Int. Reg. Date: **May 7, 2020**

Int. Reg. Pub. Date: **May 22, 2020**

(30) **Foreign Application Priority Data**

Nov. 15, 2019 (EM) ..... 007243639

(51) **LOC (13) Cl.** ..... **06-06**

(52) **U.S. Cl.**  
USPC ..... **D6/709**

(58) **Field of Classification Search**

USPC ..... D6/708, 708.17, 708.21, 709, 700, 641,  
D6/642, 656.15; D15/148

(Continued)

(56) **References Cited**

**U.S. PATENT DOCUMENTS**

5,927,161 A \* 7/1999 Clifford ..... B25B 23/0021  
81/177.2

D422,193 S \* 4/2000 Walker ..... D8/107

(Continued)

**OTHER PUBLICATIONS**

Lifting column for medical applications DC20, directindustry.com, <https://www.directindustry.com/prod/dewertokin-gmbh-dewert-brand/product-55436-2260896.html> (Year: 2021).\*

(Continued)

*Primary Examiner* — Steven J Czyn

(74) *Attorney, Agent, or Firm* — Collard & Roe, P.C.

(57) **CLAIM**

The ornamental design for fittings for furniture, as shown and described.

**DESCRIPTION**

1.1: Perspective View

1.2: Front View

1.3: Side View

1.4: Rear View

1.5: Side View

1.6: Bottom View

1.7: Top View

2.1: Perspective View

2.2: Front View

2.3: Side View

2.4: Rear View

2.5: Side View

2.6: Bottom View

2.7: Top View

3.1: Perspective View

3.2: Front View

3.3: Side View

3.4: Rear View

3.5: Side View

3.6: Bottom View

3.7: Top View

4.1: Perspective View

4.2: Front View

4.3: Side View

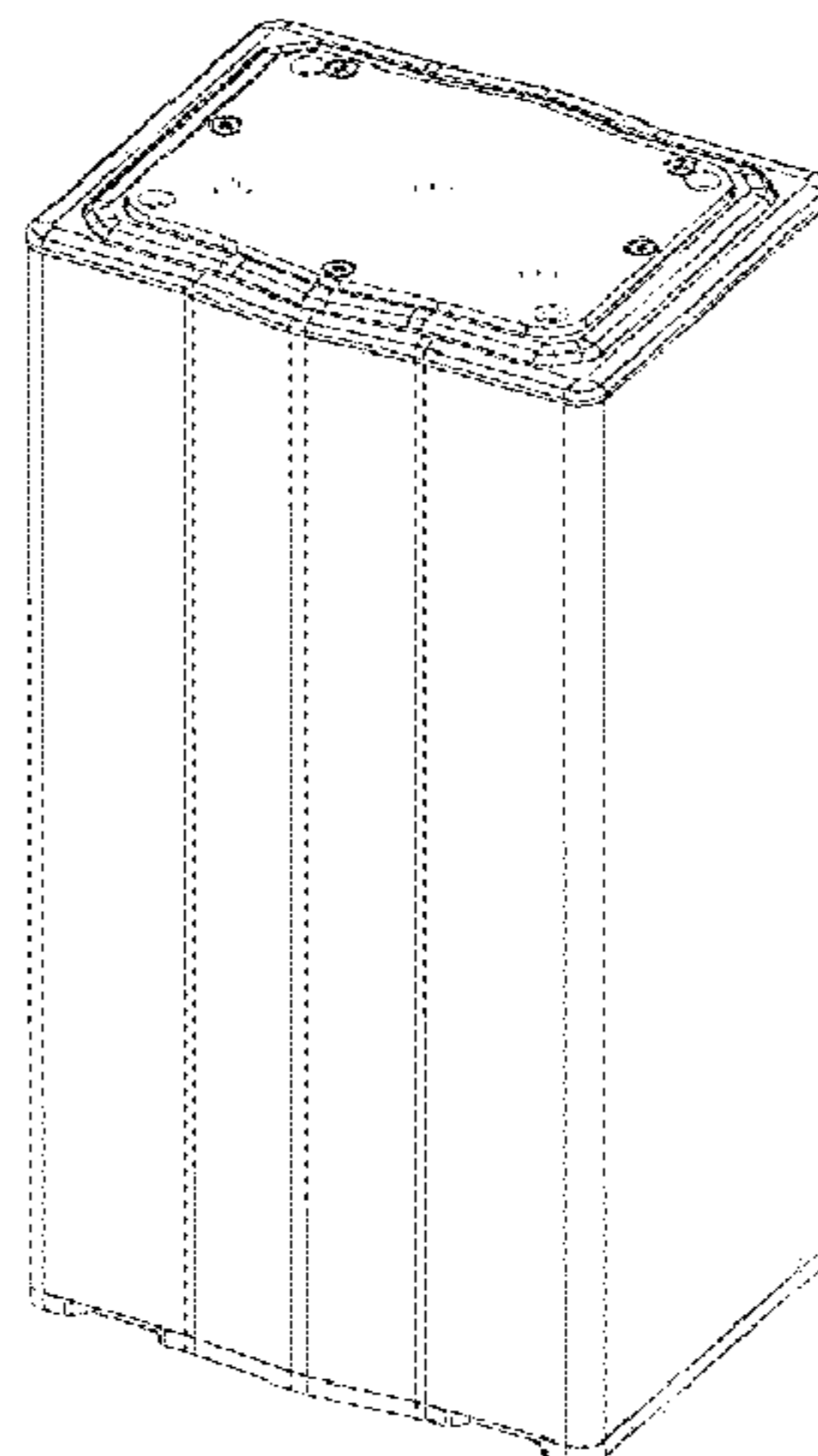
4.4: Rear View

4.5: Side View

4.6: Bottom View

4.7: Top View

(Continued)



The features shown in broken lines depict portions of the fitting for furniture that form no part of the claimed design.

**1 Claim, 28 Drawing Sheets**

**(58) Field of Classification Search**

CPC ..... A47B 9/20; A47B 91/005; A47B 91/12;  
 A47B 91/16; A47B 2200/0051; A47B  
 2200/0052; A47B 2200/0053; A47B  
 2200/0054; A47B 2200/0059; A61G  
 13/06; B66F 3/10; B66F 3/18

See application file for complete search history.

**(56) References Cited**

U.S. PATENT DOCUMENTS

D570,385 S *	6/2008	Chuo .....	F16B 7/1436 D15/143
D578,324 S *	10/2008	Glass .....	D6/708
D619,830 S *	7/2010	Lund .....	D6/708.17
D702,271 S *	4/2014	Lin .....	D15/143
D710,563 S *	8/2014	Panzer .....	D34/35
D719,386 S *	12/2014	Mueller .....	D6/709
D723,848 S *	3/2015	Mueller .....	D6/709
D770,548 S *	11/2016	Lin .....	D15/143
D784,060 S *	4/2017	Dauidsen .....	D6/709
D790,615 S *	6/2017	Nowak .....	D15/148
D795,619 S *	8/2017	Labrosse .....	D6/709
D810,164 S *	2/2018	Lin .....	D15/148
D812,947 S *	3/2018	Tseng .....	D6/708
D815,167 S *	4/2018	Lin .....	D15/143
D815,477 S *	4/2018	Molteni .....	D6/709
D815,867 S *	4/2018	Herring .....	D6/709

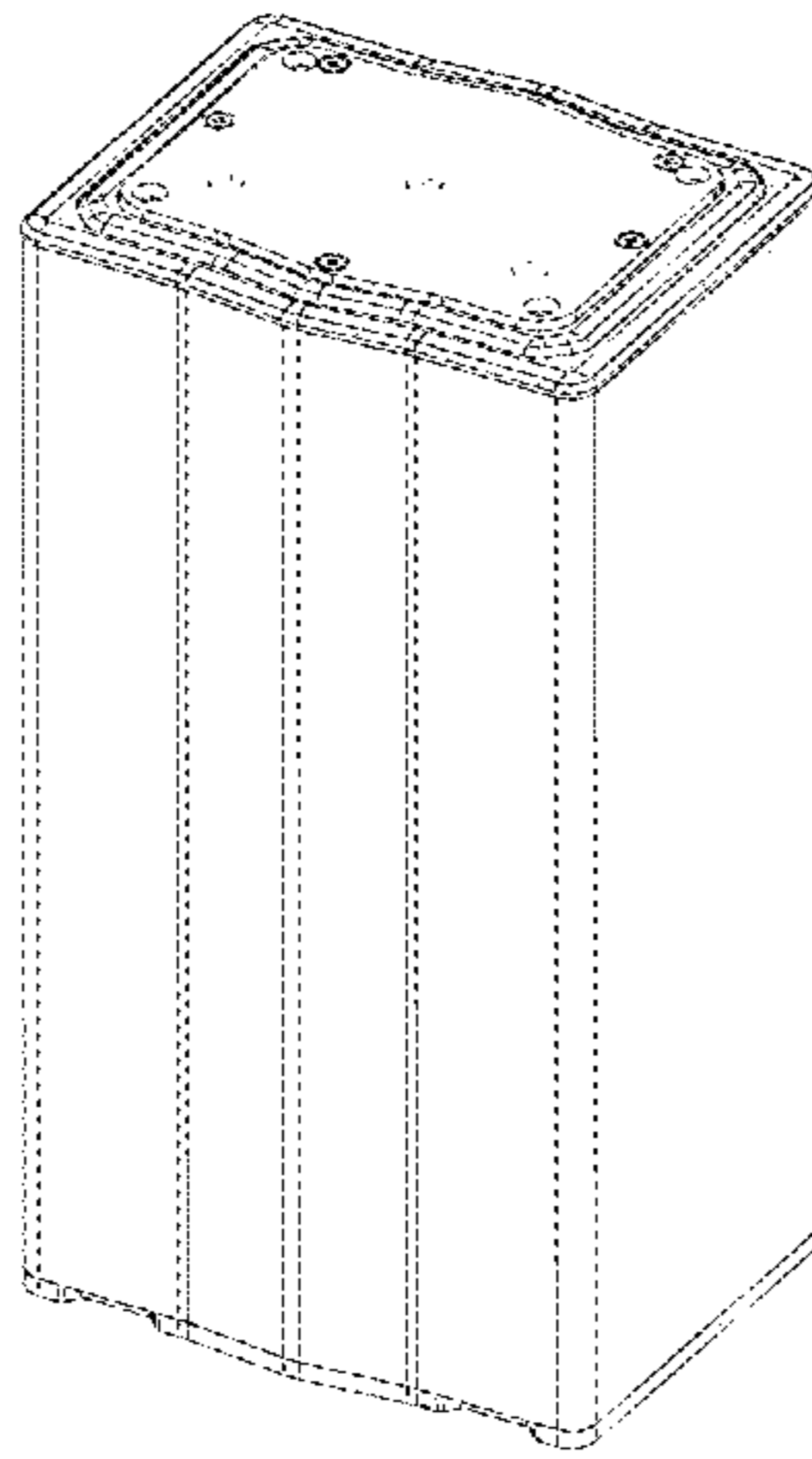
D818,293 S *	5/2018	Muller .....	A47B 9/20 D6/709
D819,378 S *	6/2018	Lin .....	D6/709
D819,711 S *	6/2018	Li .....	B66F 7/14 D15/199
D826,610 S *	8/2018	Yamamoto .....	D6/709.2
10,226,119 B1 *	3/2019	Ko .....	A47B 9/20
10,327,542 B2 *	6/2019	Oberndorfer .....	A47B 9/04
10,400,945 B2 *	9/2019	Panzer .....	B66F 7/14
D879,513 S *	3/2020	Pei .....	D6/656.15
D891,164 S *	7/2020	Juncher .....	D6/708.17
2003/0183027 A1 *	10/2003	Koch .....	F16H 25/20 74/89.35
2004/0211275 A1 *	10/2004	Fich .....	F16B 7/1436 74/89.23
2005/0161648 A1 *	7/2005	Oudelaar .....	B66F 7/18 254/93 R
2006/0130713 A1 *	6/2006	Jones .....	A47B 9/20 108/106
2013/0015300 A1 *	1/2013	Klinke .....	A47B 21/06 248/49
2015/0330486 A1 *	11/2015	Hu .....	F16H 25/12 74/89.14
2016/0047446 A1 *	2/2016	Hung .....	F16H 25/20 74/89.35
2018/0303233 A1 *	10/2018	DeGroot .....	A47B 9/20
2020/0085184 A1 *	3/2020	Lu .....	A47B 9/04
2021/0052066 A1 *	2/2021	Wu .....	F16H 25/00

OTHER PUBLICATIONS

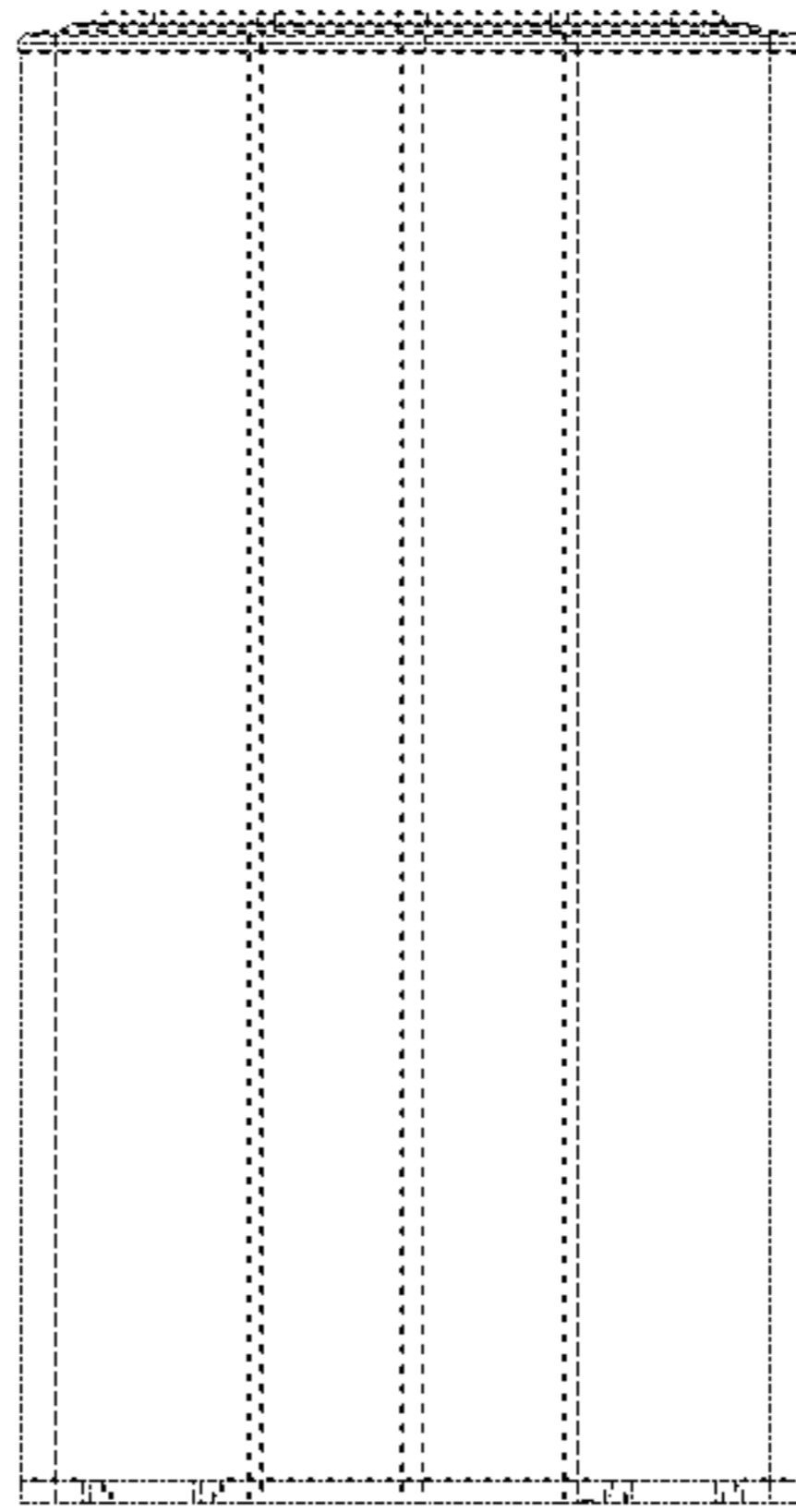
Dewert reveals new lifting columns and single drives for medical applications, [pressbox.com](https://www.pressebox.com/pressrelease/dewertokin-gmbh/Dewert-reveals-new-lifting-columns-and-single-drives-for-medical-applications/boxid/981380), <https://www.pressebox.com/pressrelease/dewertokin-gmbh/Dewert-reveals-new-lifting-columns-and-single-drives-for-medical-applications/boxid/981380> (Year: 2020).\*

\* cited by examiner

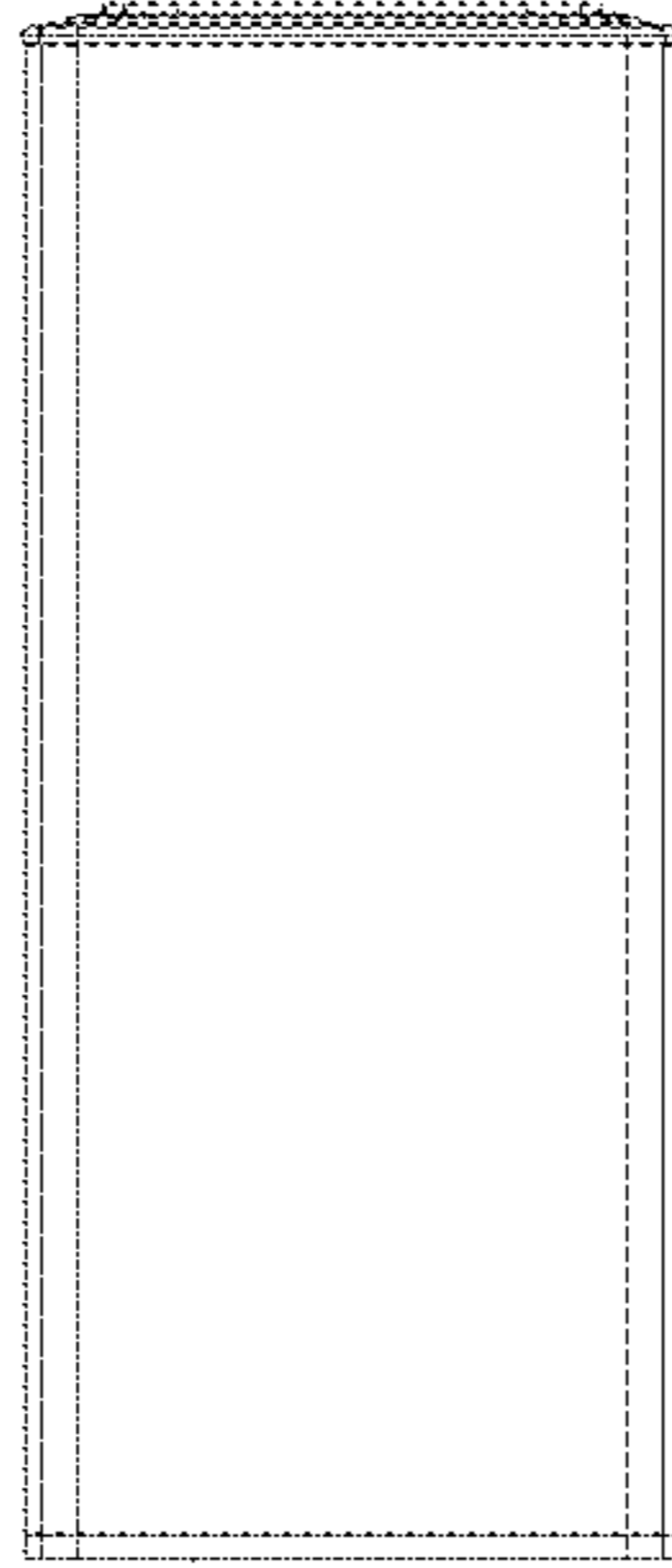
1.1



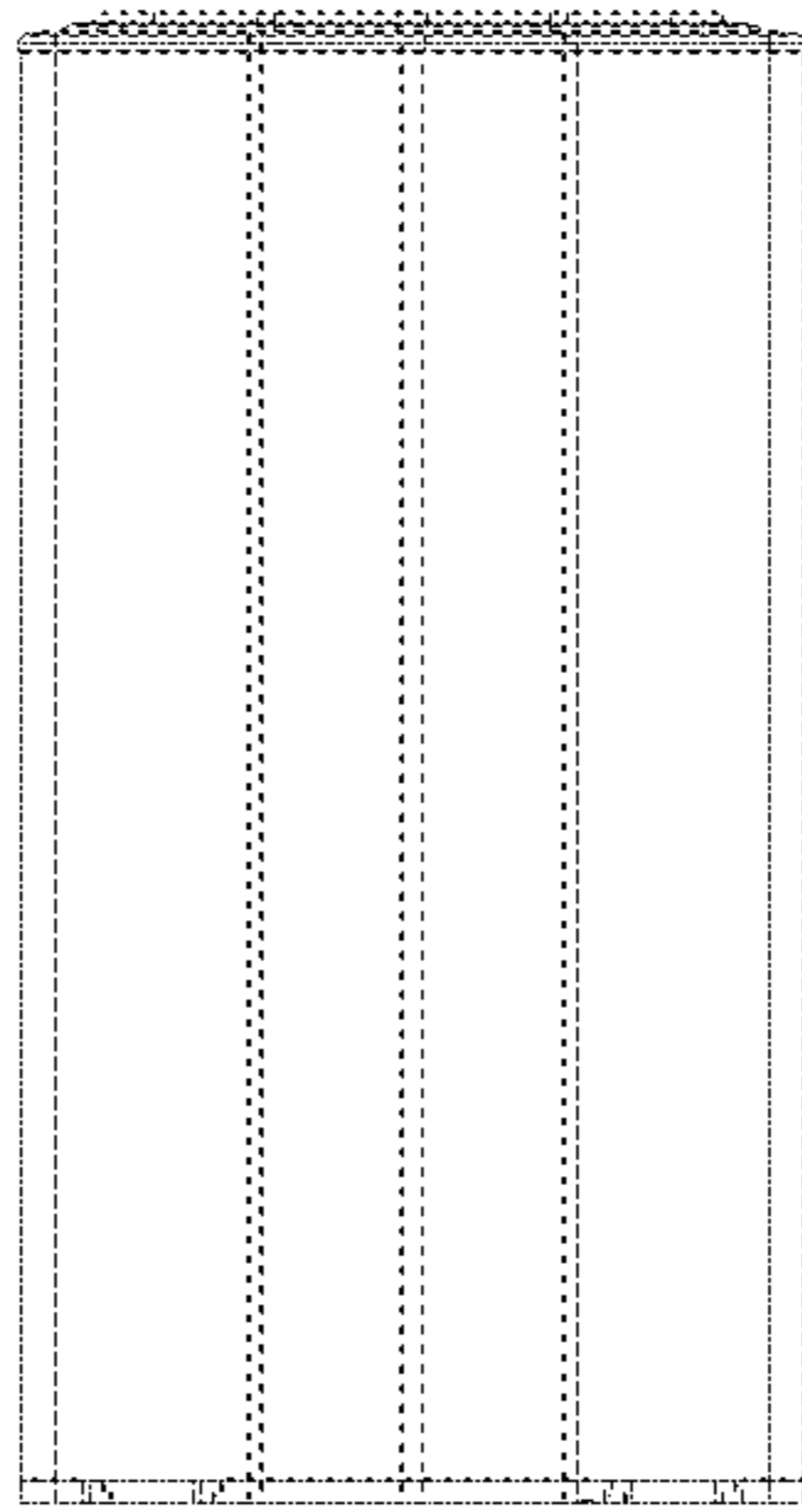
1.2



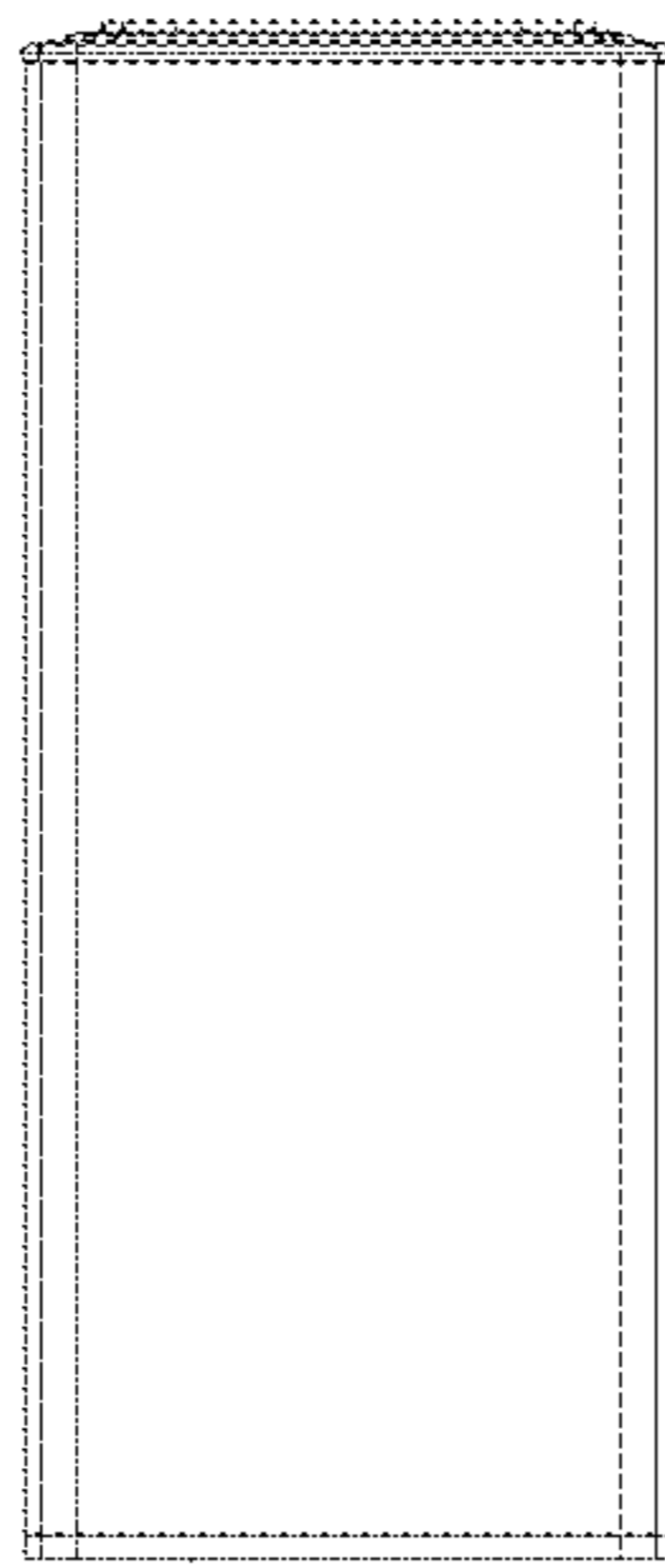
1.3

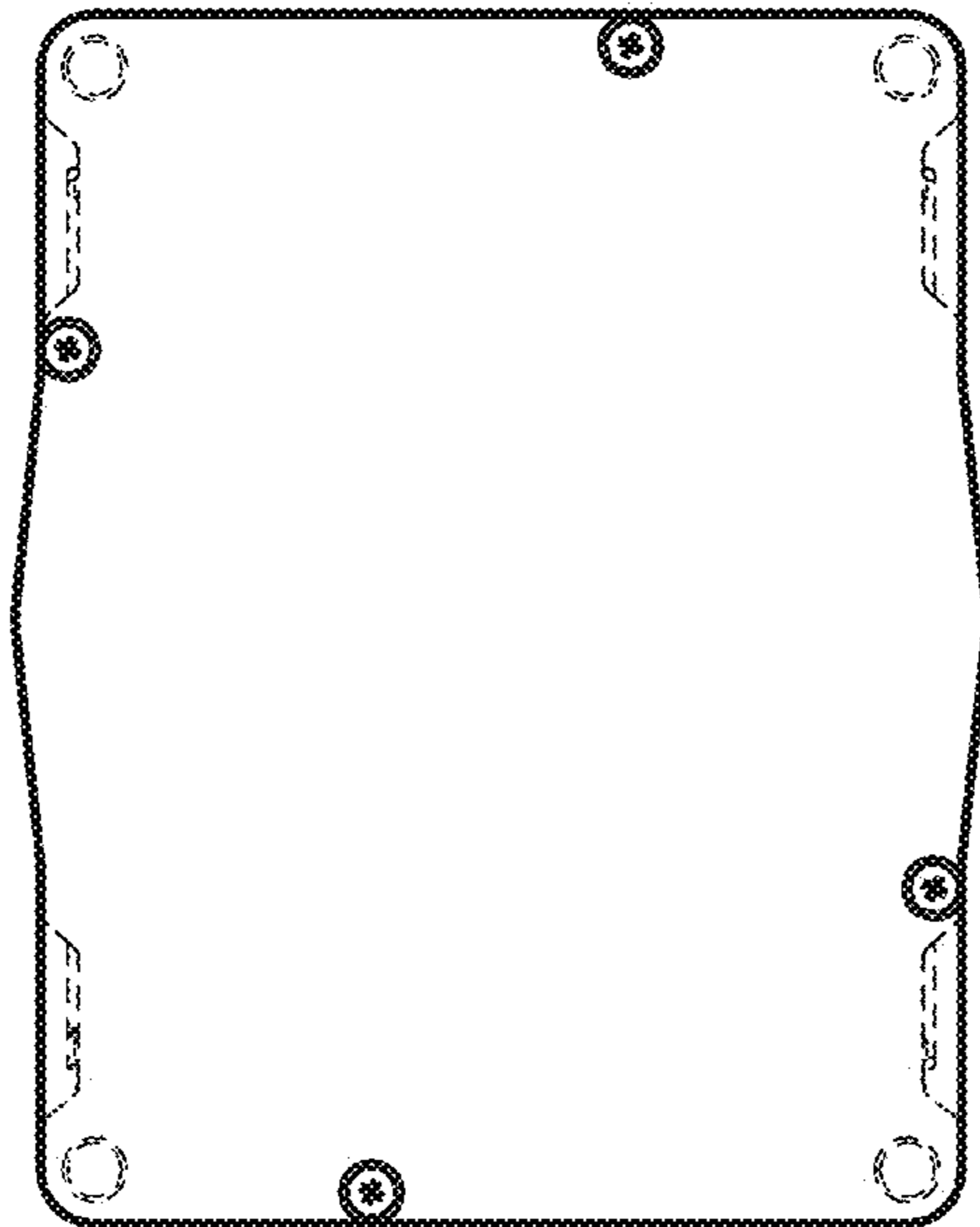


1.4



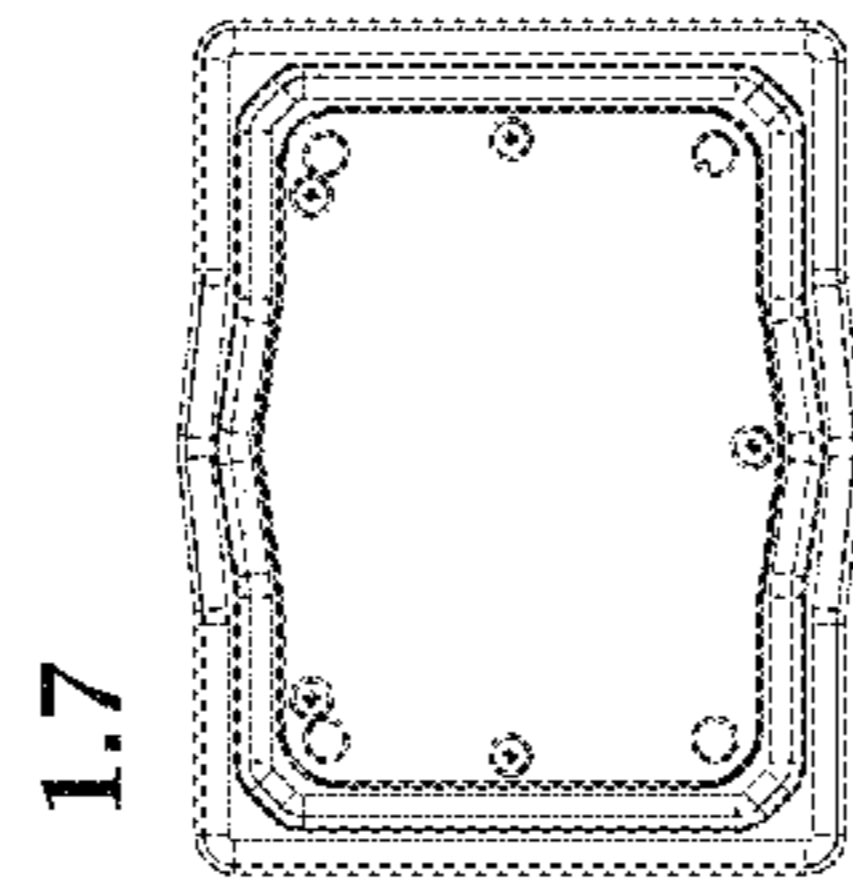
1.5



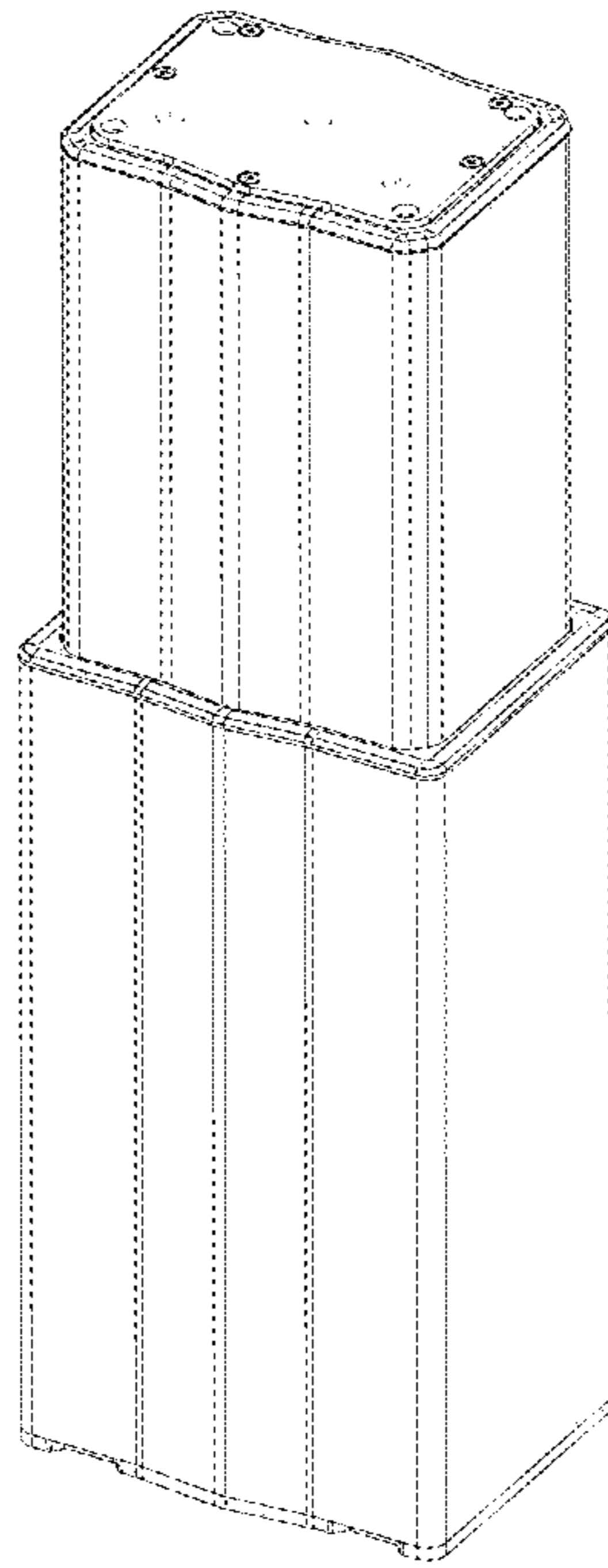


1.6

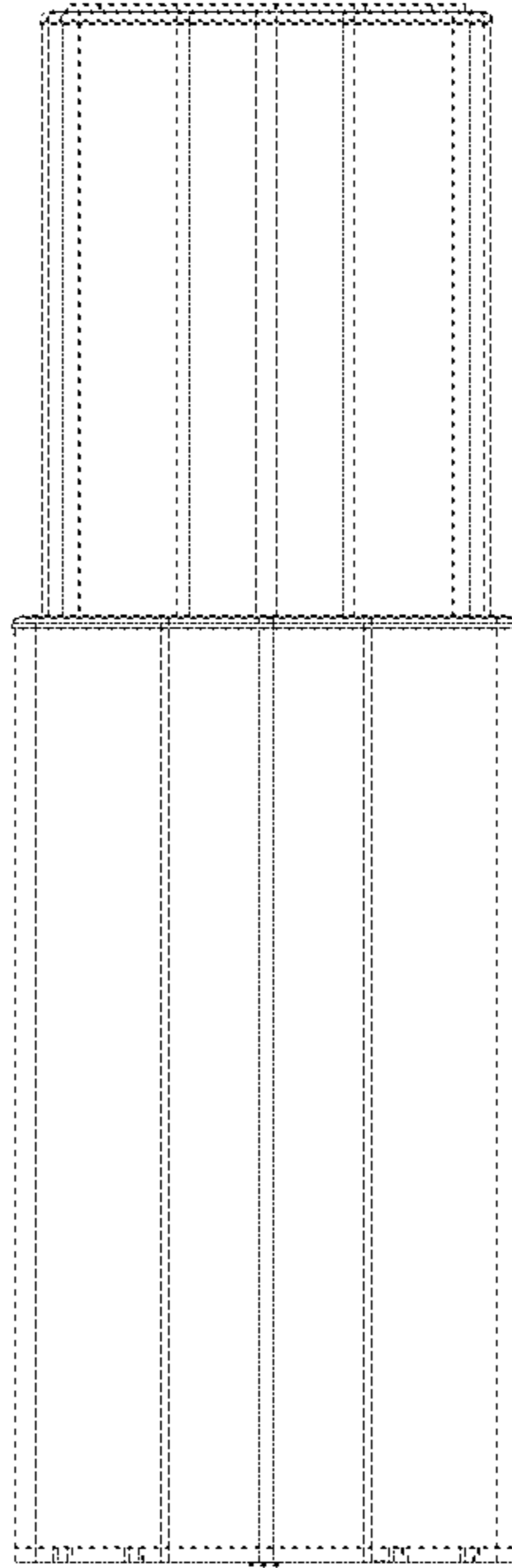




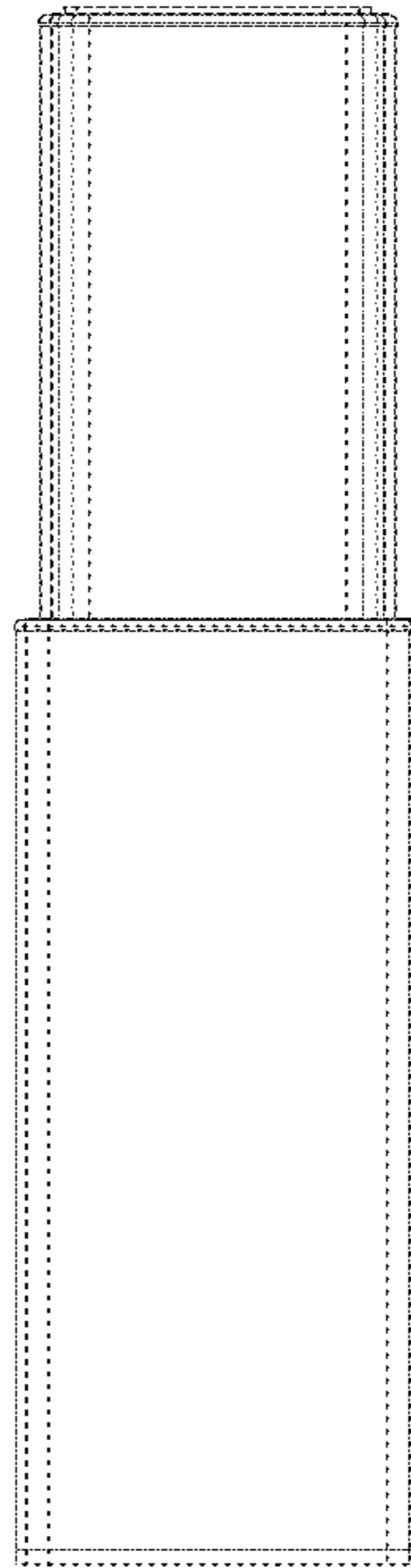
2.1



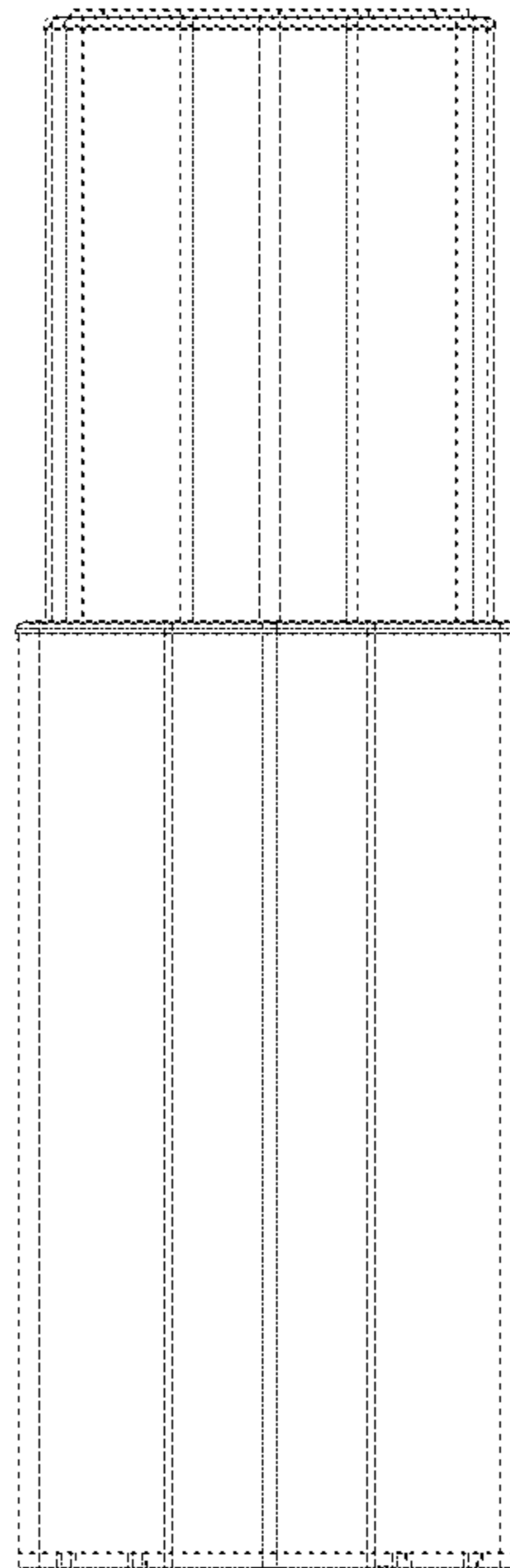
2.2



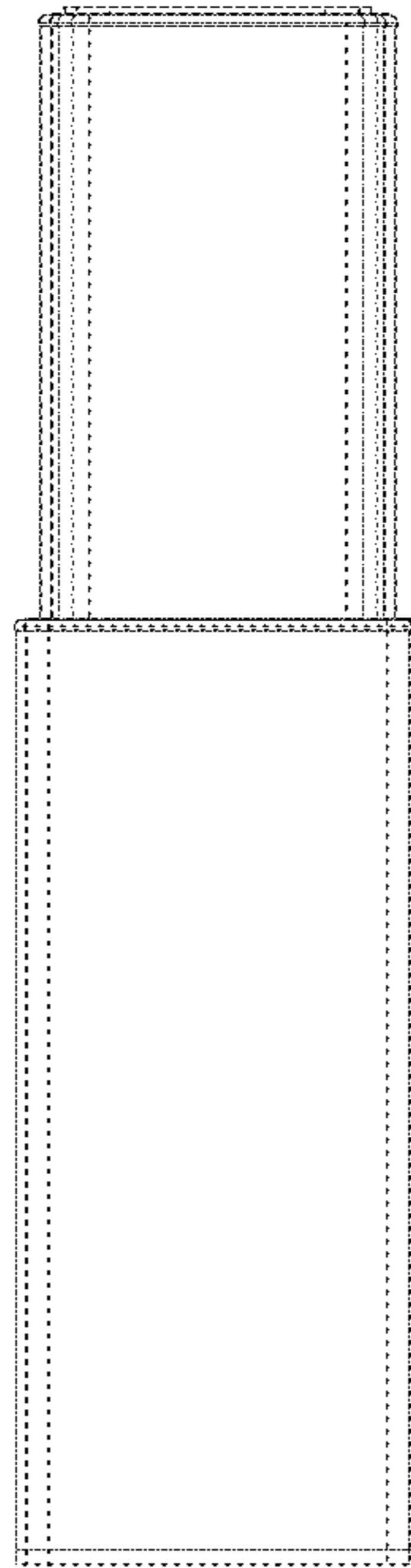
2.3

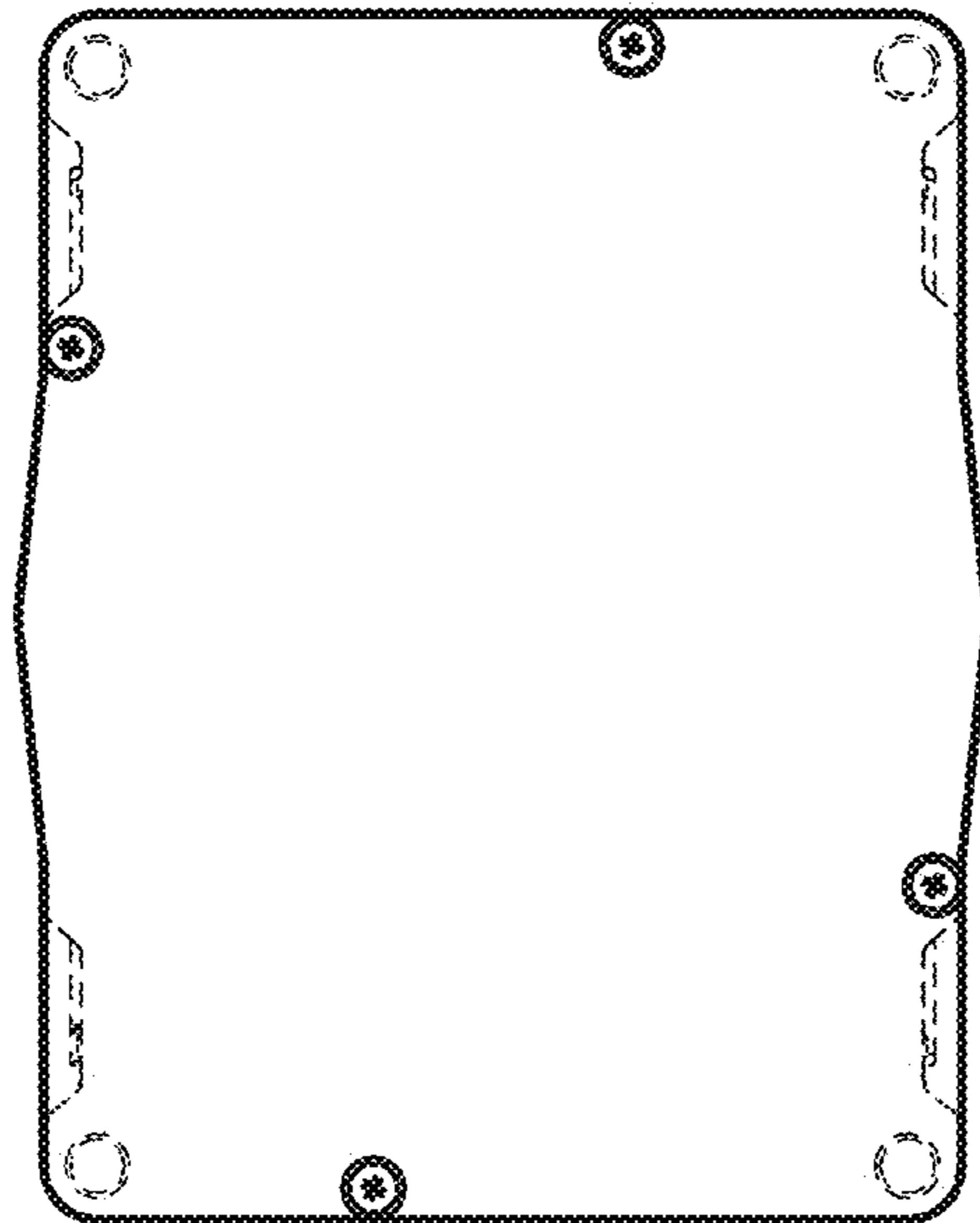


2.4

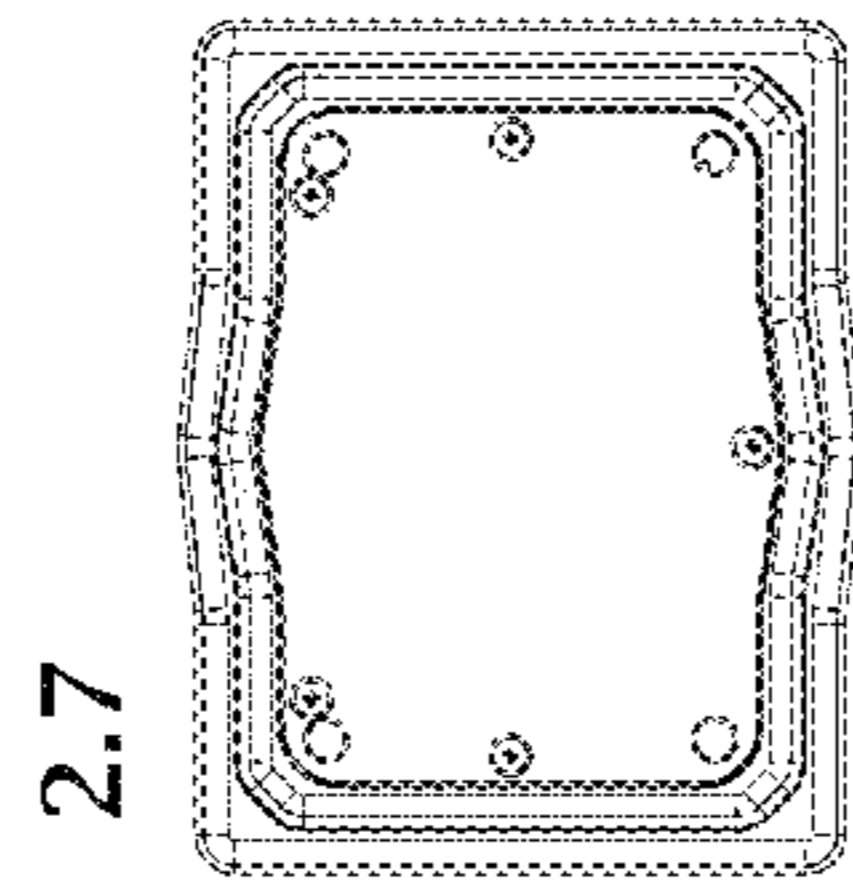


2.5



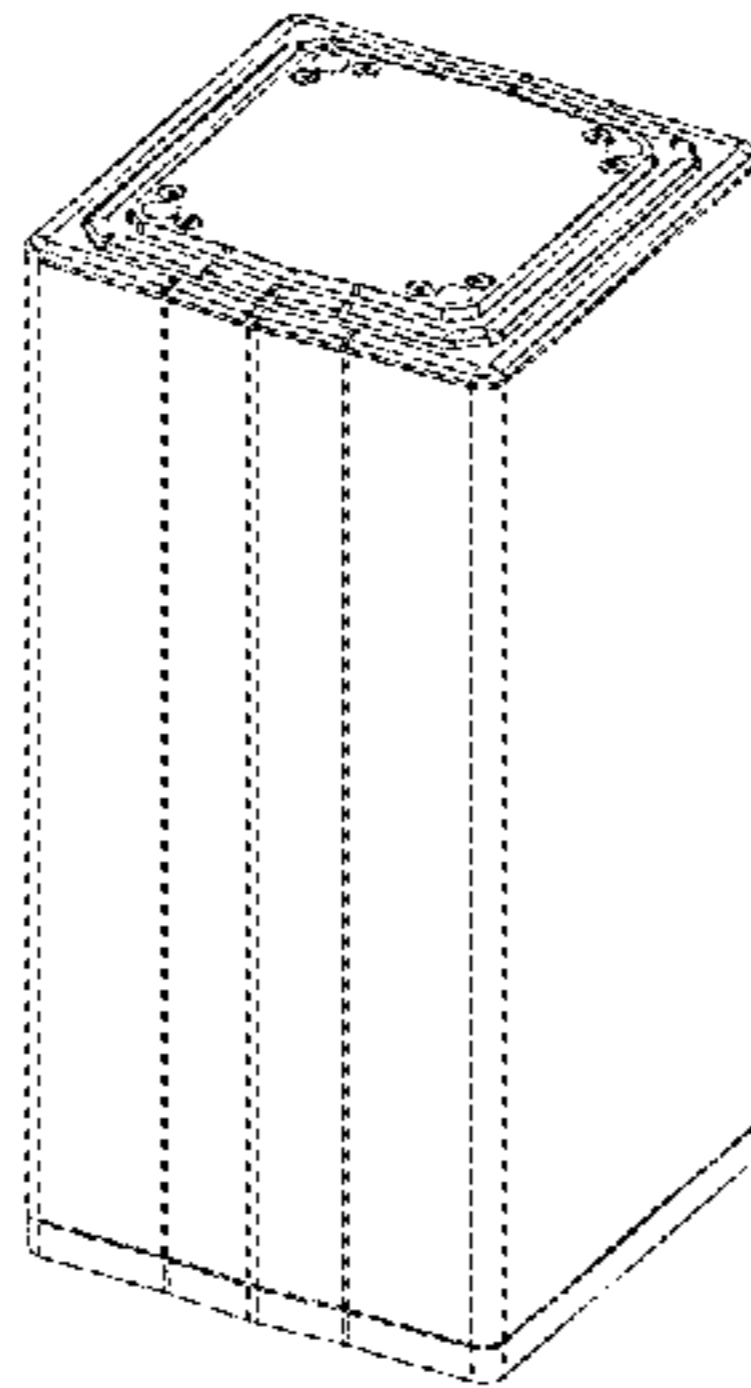


2.6

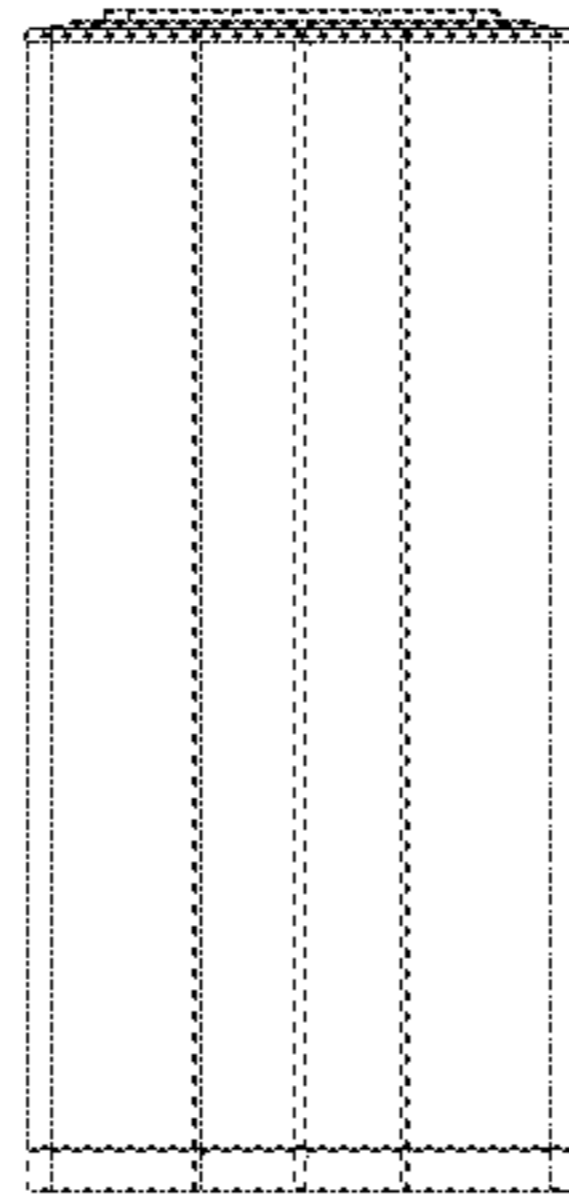




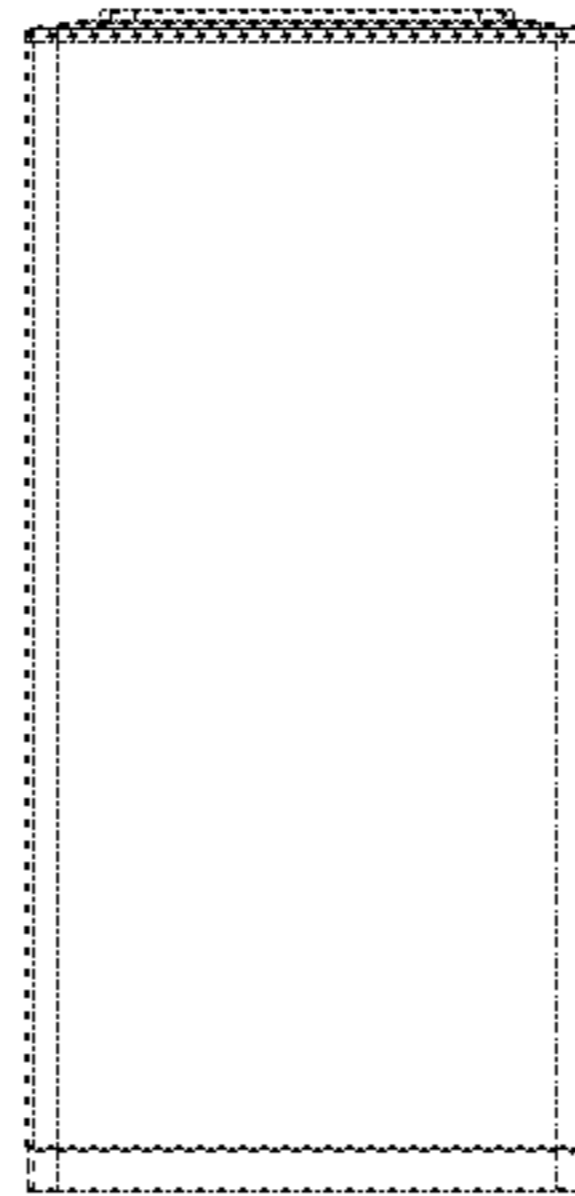
3.1



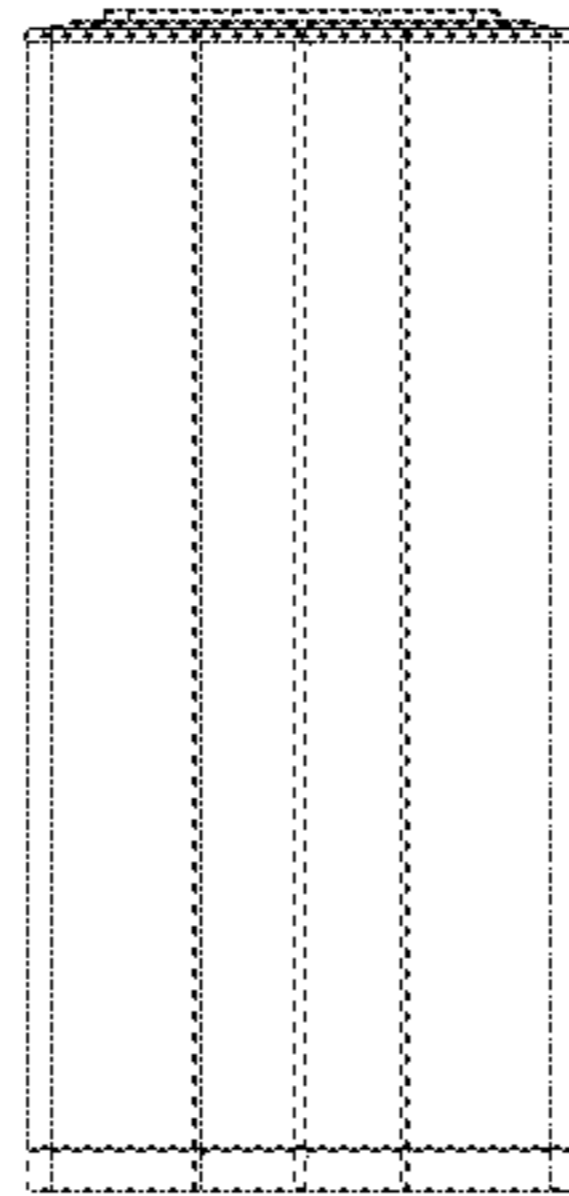
3.2



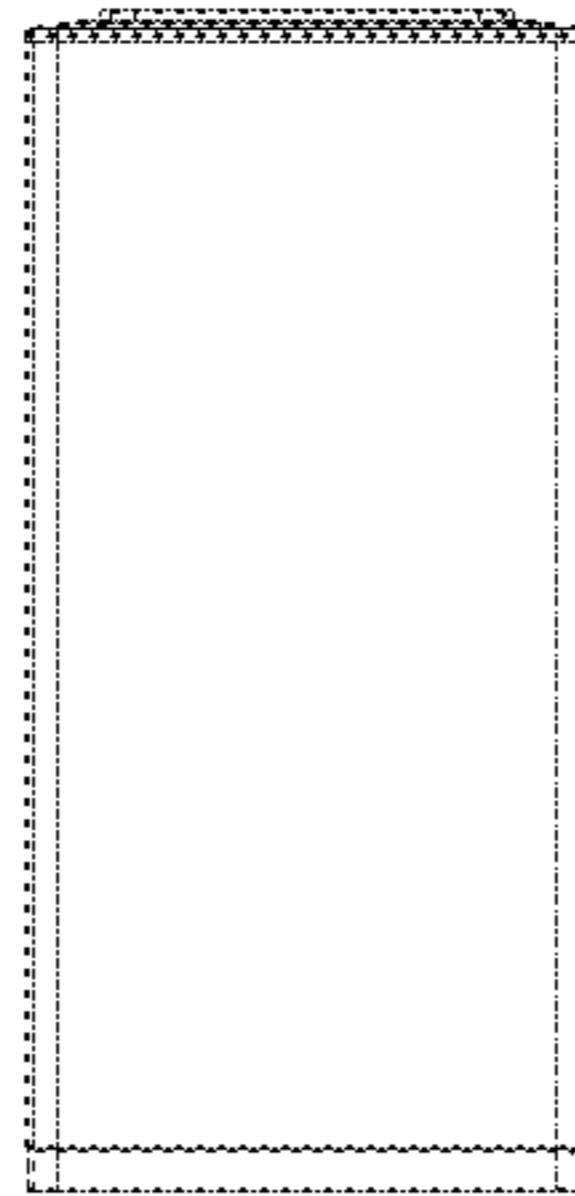
3.3

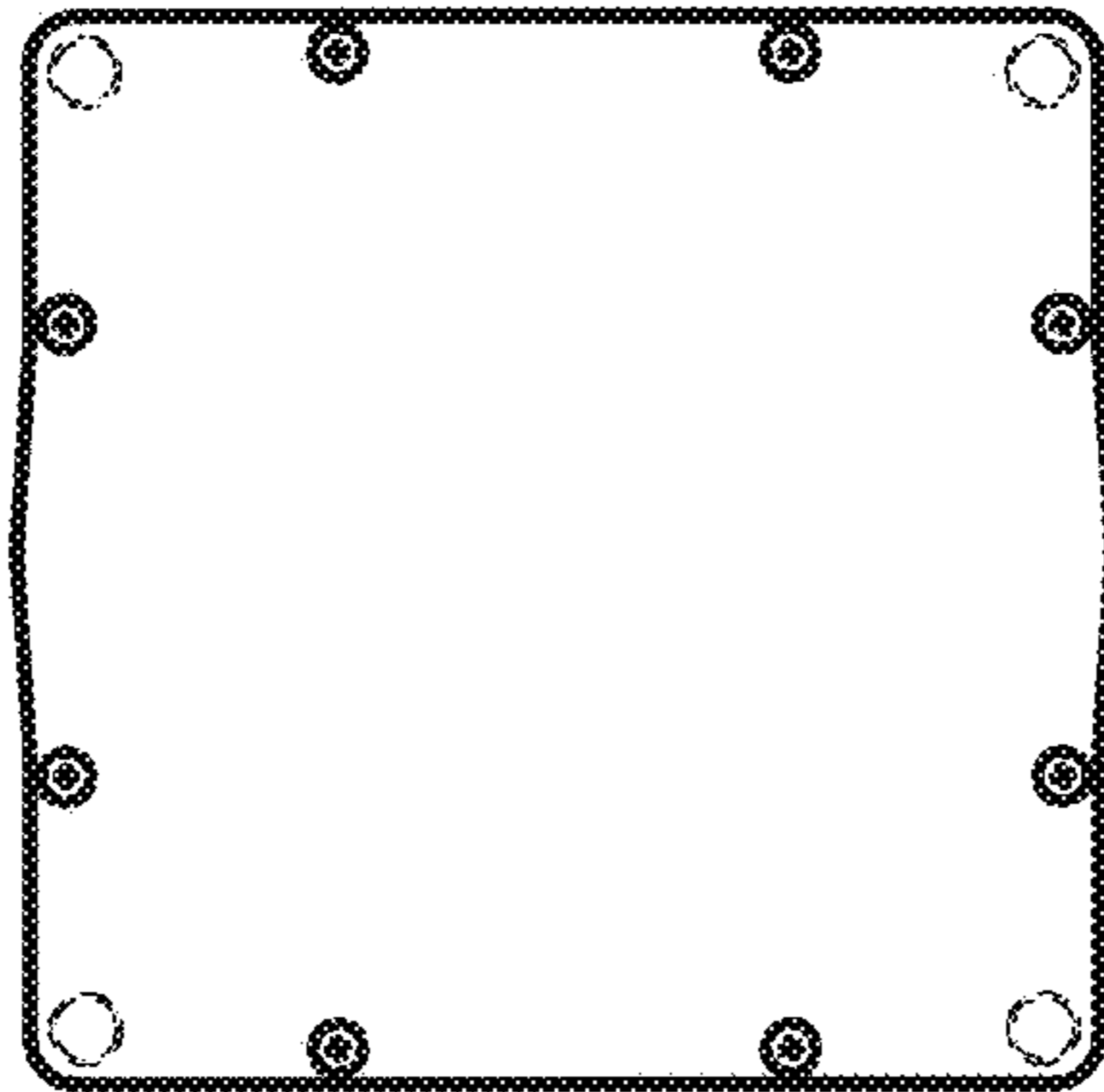


3.4



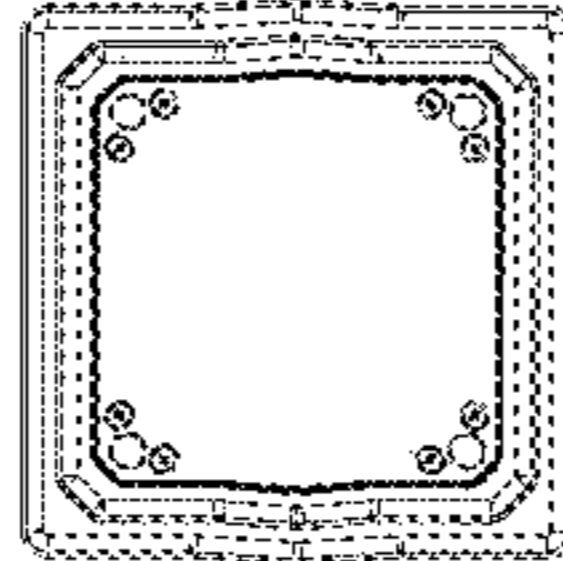
3.5



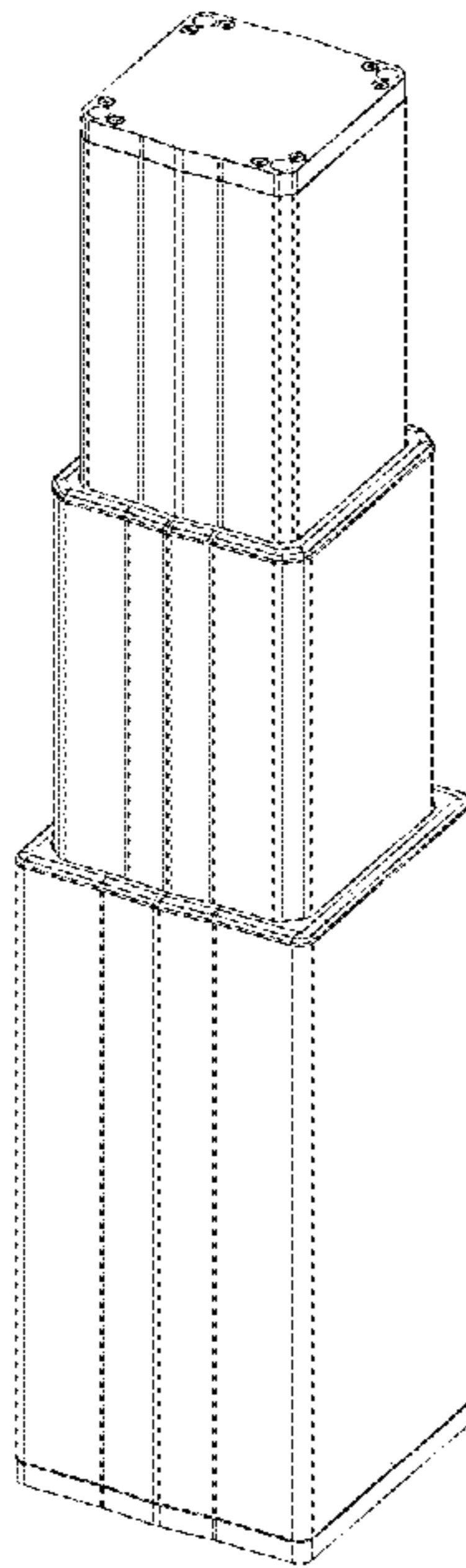


3.6

3.7

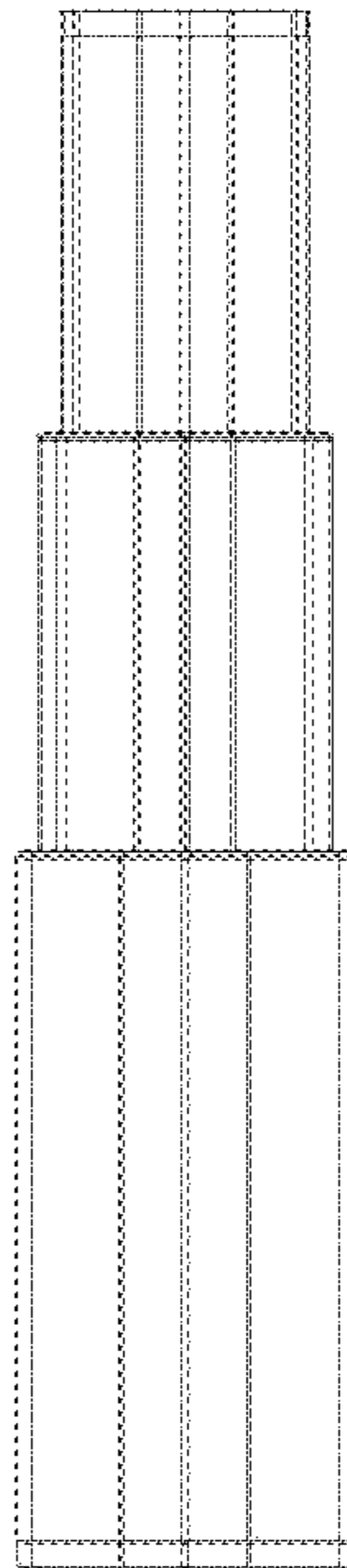


4.1

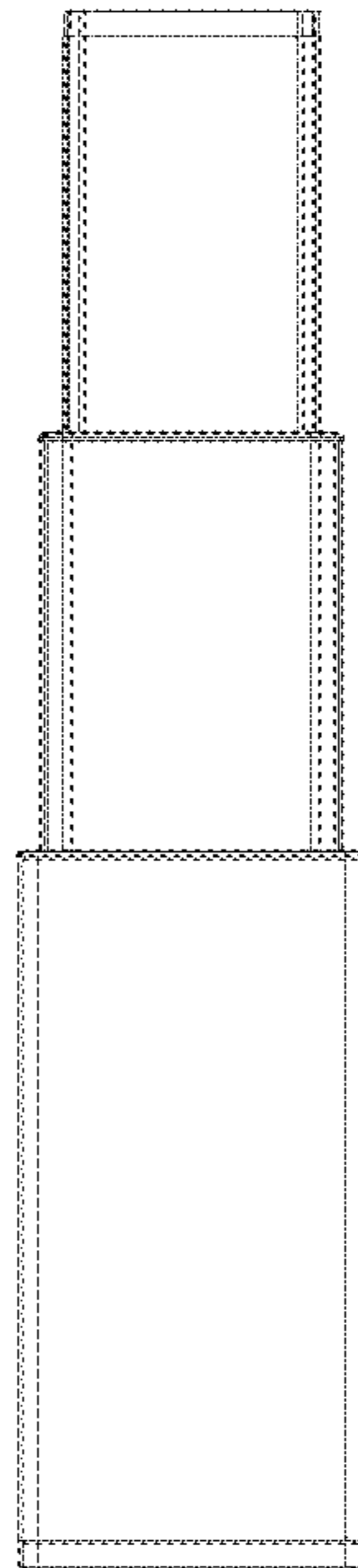




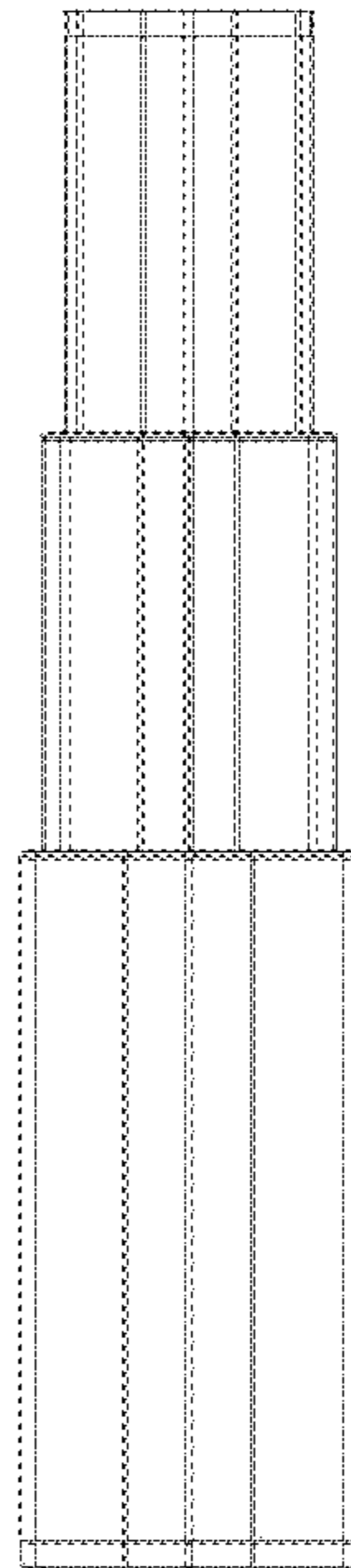
4.2



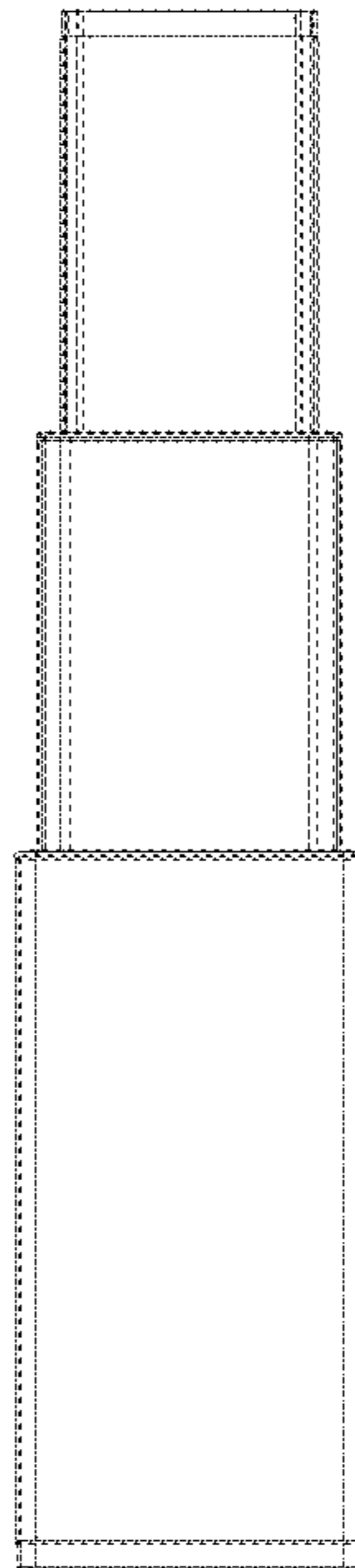
4.3

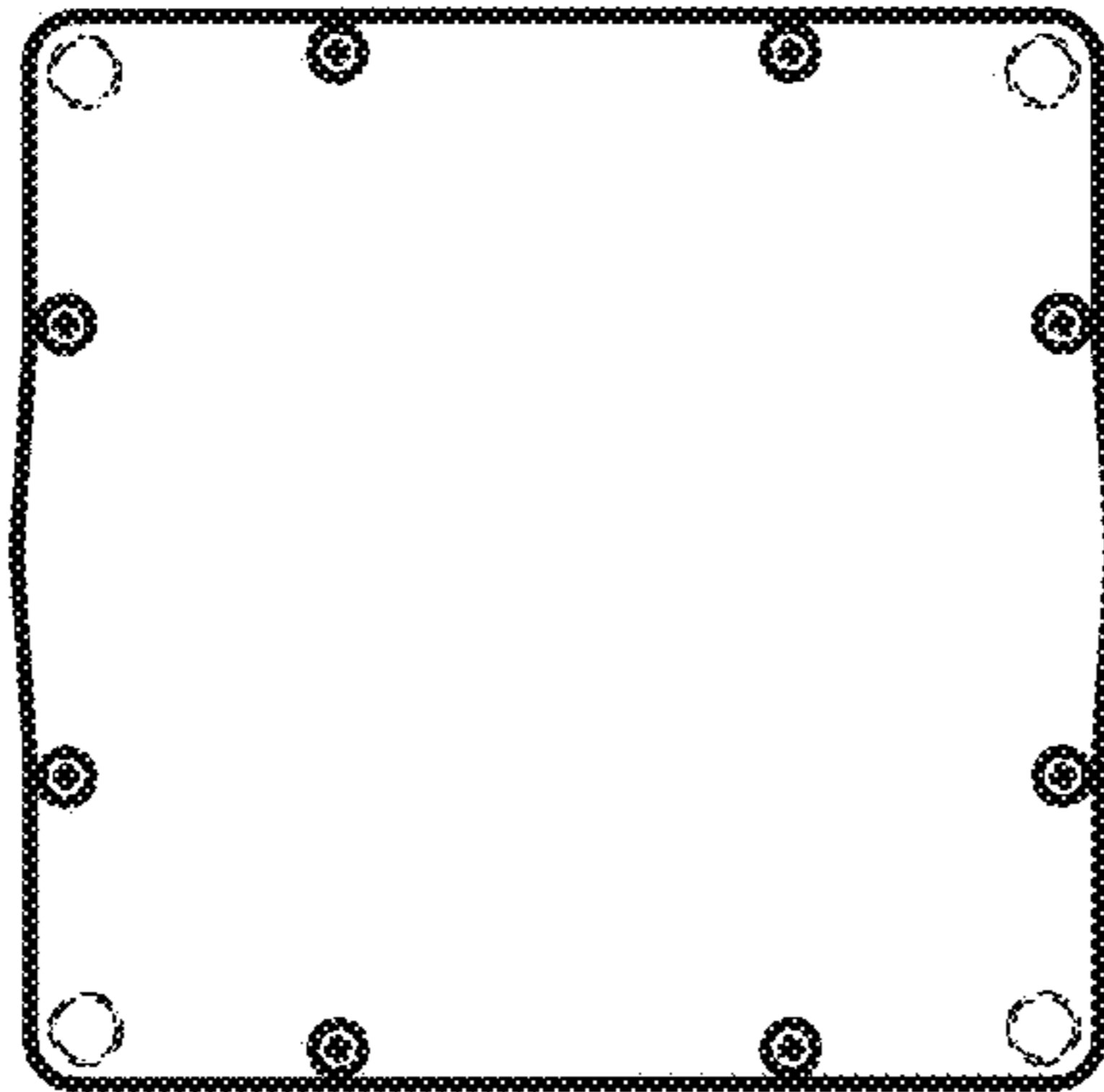


4.4



4.5





4.6

4.7

