



US00D937619S

(12) **United States Design Patent**
Kim

(10) **Patent No.:** **US D937,619 S**

(45) **Date of Patent:** **** Dec. 7, 2021**

(54) **FRAME FOR SECTIONAL CHAIR**

(71) Applicant: **OSUNG DURALUMIN CO., LTD.**,
Incheon (KR)

(72) Inventor: **Hyun Gil Kim**, Gyeonggi-do (KR)

(73) Assignee: **OSUNG DURALUMIN CO., LTD.**,
Incheon (KR)

(**) Term: **15 Years**

(21) Appl. No.: **29/704,582**

(22) Filed: **Sep. 5, 2019**

(30) **Foreign Application Priority Data**

Jul. 19, 2019 (KR) 30-2019-0034654

(51) **LOC (13) Cl.** **06-01**

(52) **U.S. Cl.**
USPC **D6/708.16; D6/368**

(58) **Field of Classification Search**
USPC D6/334-336, 368, 373, 374, 375, 376,
D6/379, 380, 716, 716.1, 716.2, 716.3,
D6/716.4, 708.16, 709.3
CPC .. A47C 4/00; A47C 4/28; A47C 4/283; A47C
4/30; A47C 4/42; A47C 4/44; A47C 4/46;
A47C 4/48; A47C 5/04; A47C 5/06;
A47C 5/10; A47C 9/10; A47C 9/105;
A47C 1/14; A47C 4/24; A47C 4/25;
A47C 4/27
See application file for complete search history.

(56) **References Cited**

U.S. PATENT DOCUMENTS

- 8,454,084 B2 * 6/2013 Lah A47C 4/02
297/16.2
- D771,986 S * 11/2016 Lee D6/708.16
- D773,221 S * 12/2016 Lee D6/708.16
- 9,930,966 B2 * 4/2018 Yang A47C 4/28

- D833,768 S * 11/2018 Jin D6/368
- 10,285,503 B2 * 5/2019 Graybill A47C 4/28
- D887,191 S * 6/2020 Kim D6/708.16
- D889,155 S * 7/2020 Xia D6/368
- D891,808 S * 8/2020 Zhu D6/376
- D897,712 S * 10/2020 Hu D6/368
- D923,956 S * 7/2021 Xia D6/368
- 2012/0104805 A1 * 5/2012 Lah A47C 4/28
297/16.1

* cited by examiner

Primary Examiner — Mimoso De

(74) *Attorney, Agent, or Firm* — Nixon Peabody LLP;
Thomas P. Pavelko

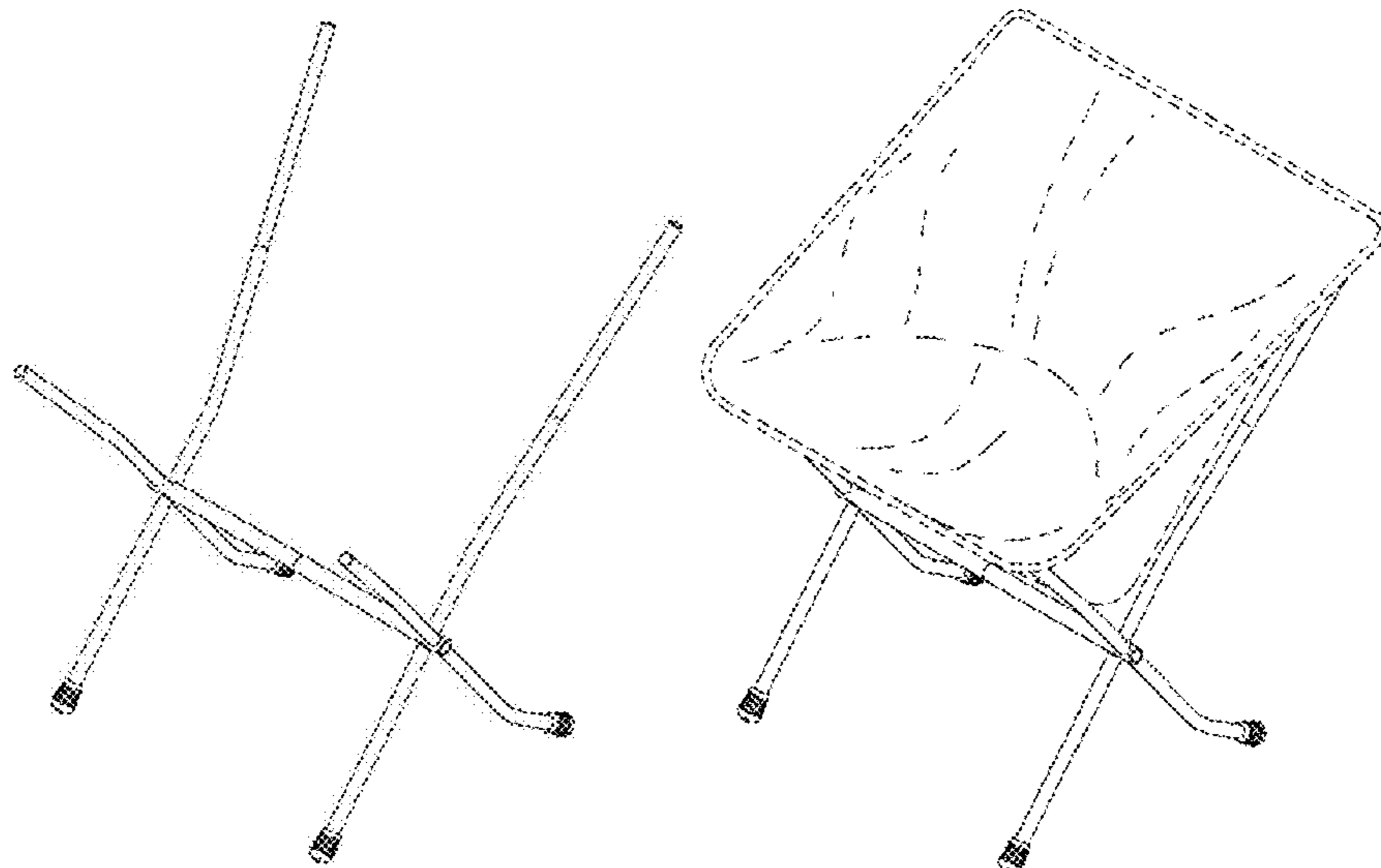
(57) **CLAIM**

The ornamental design of a frame for sectional chair, as shown and described.

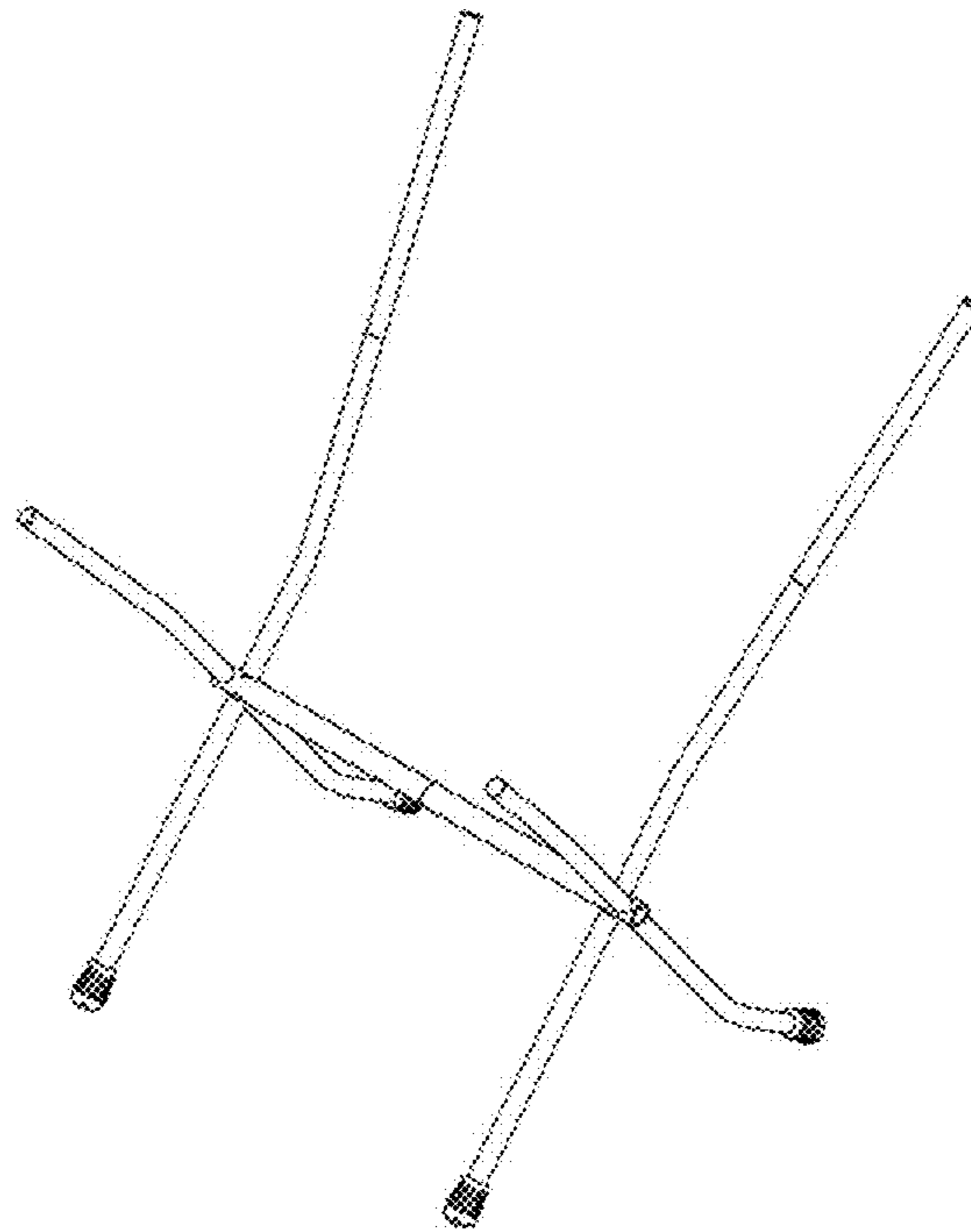
DESCRIPTION

FIG. 1 is a perspective view of the frame for sectional chair. FIG. 2 is a front view of the frame for sectional chair. FIG. 3 is a rear view of the frame for sectional chair of FIG. 2. FIG. 4 is a left side view of the frame for sectional chair of FIG. 2. FIG. 5 is a right side view of the frame for sectional chair of FIG. 2. FIG. 6 is a top view of the frame for sectional chair of FIG. 2. FIG. 7 is a bottom view of the frame for sectional chair of FIG. 2; and, FIG. 8 is a perspective view of one exemplary environment of use, where a seat (shown in dotted lines forming no part of the claimed design) is coupled to the upper portion of the frame for sectional chair. The ornamental design as shown in the accompanying figures of drawings apply to the frame for sectional chair, but any element illustrated by dotted lines is not included within the ornamental design.

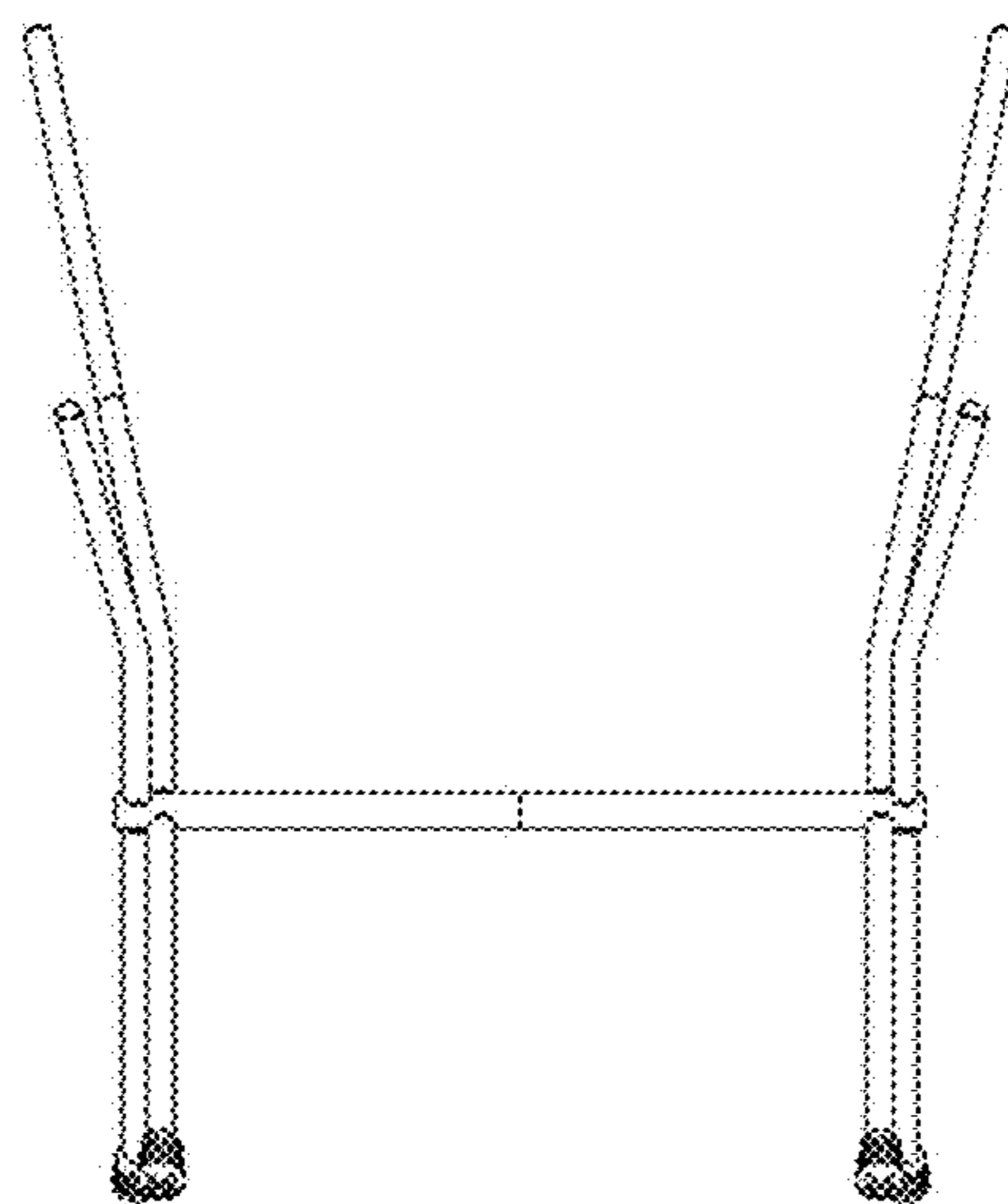
1 Claim, 4 Drawing Sheets



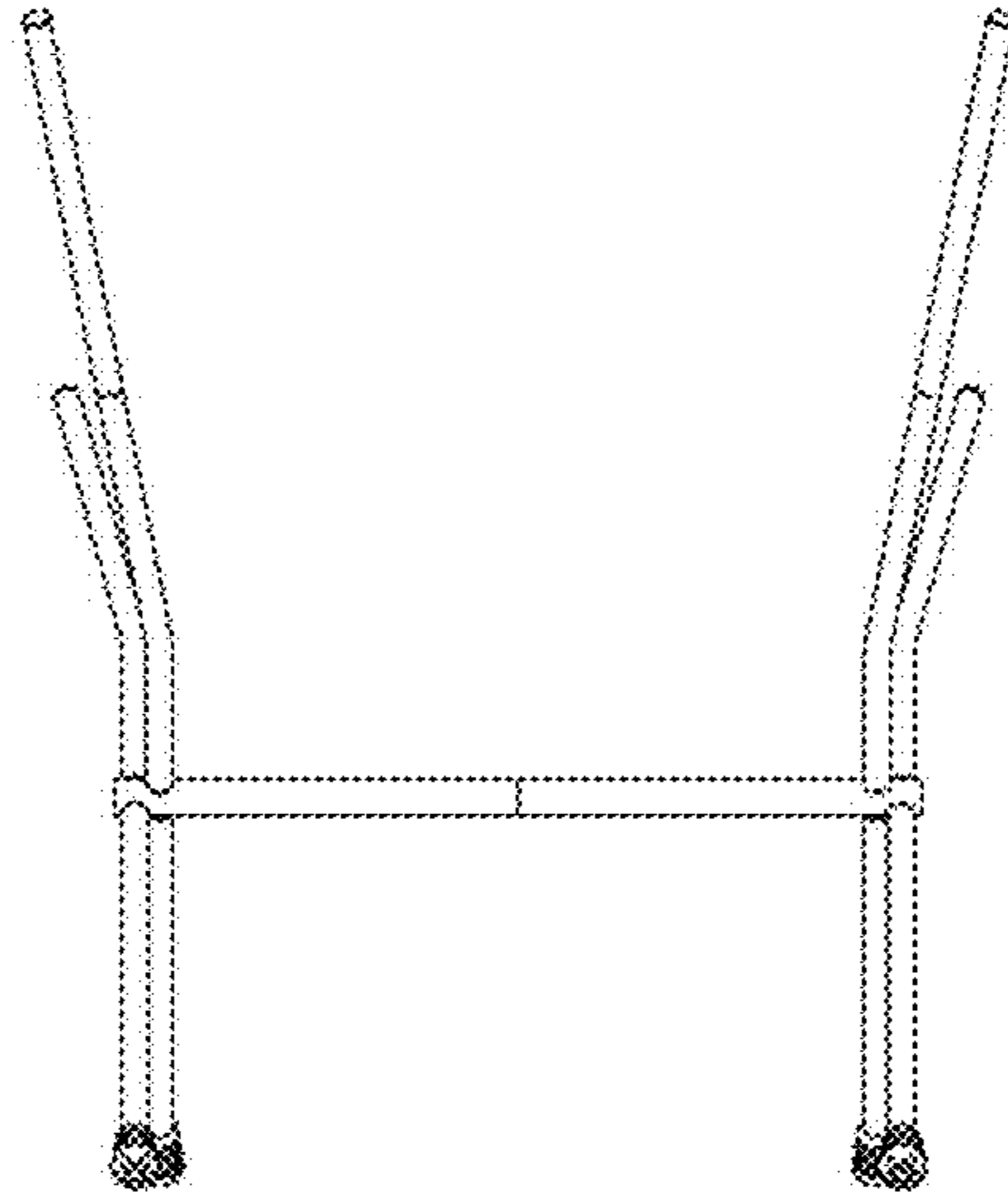
【FIG. 1】



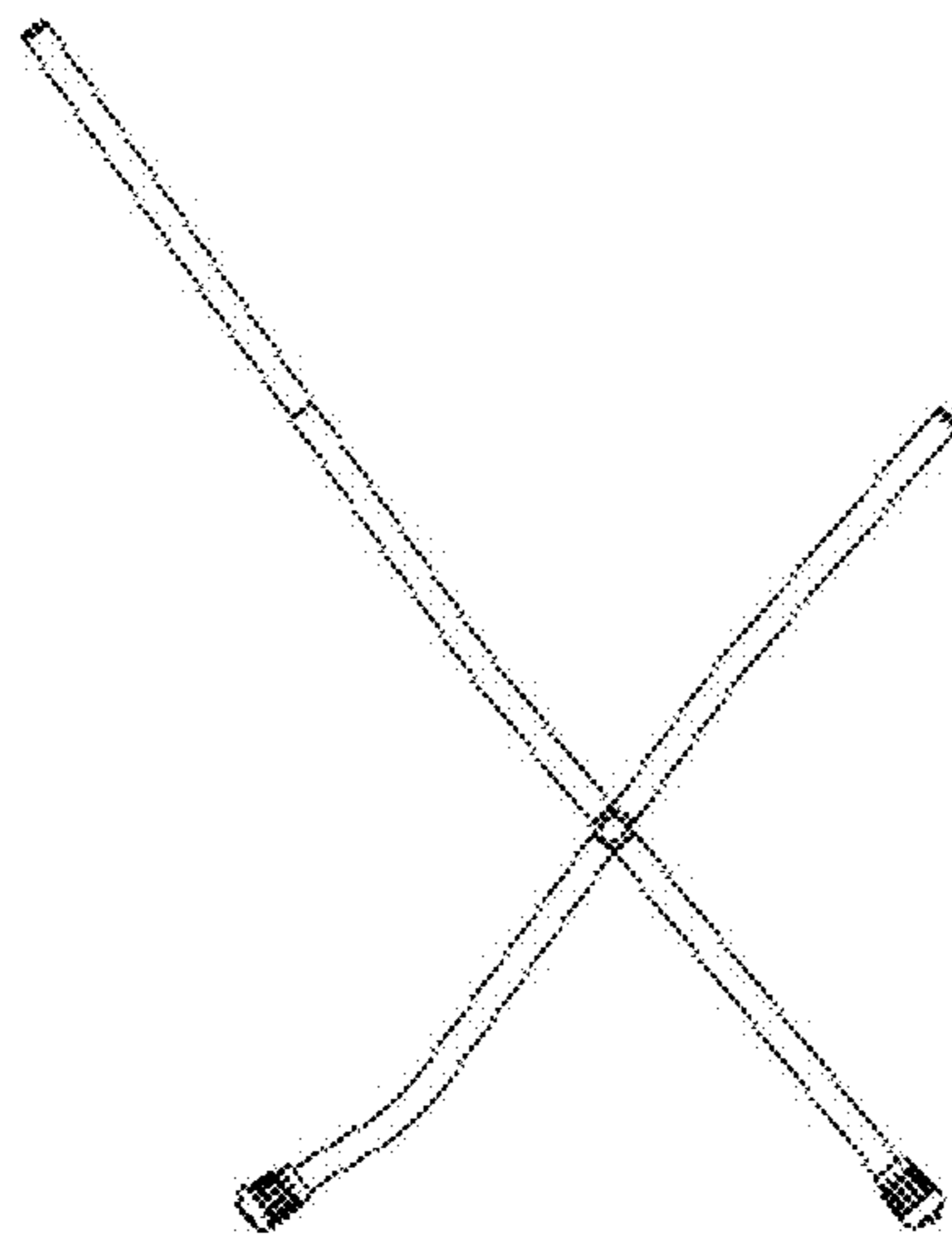
【FIG. 2】



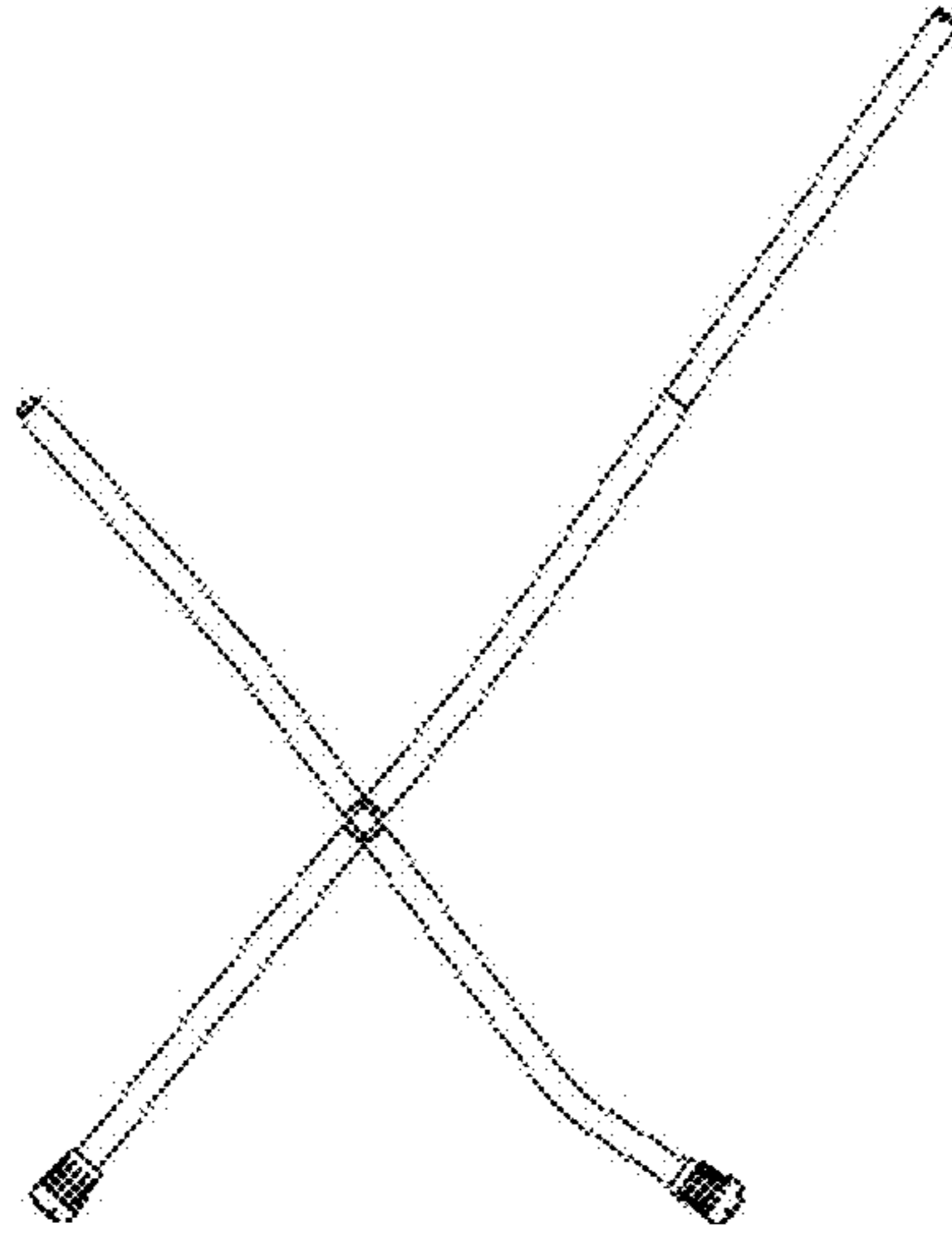
【FIG. 3】



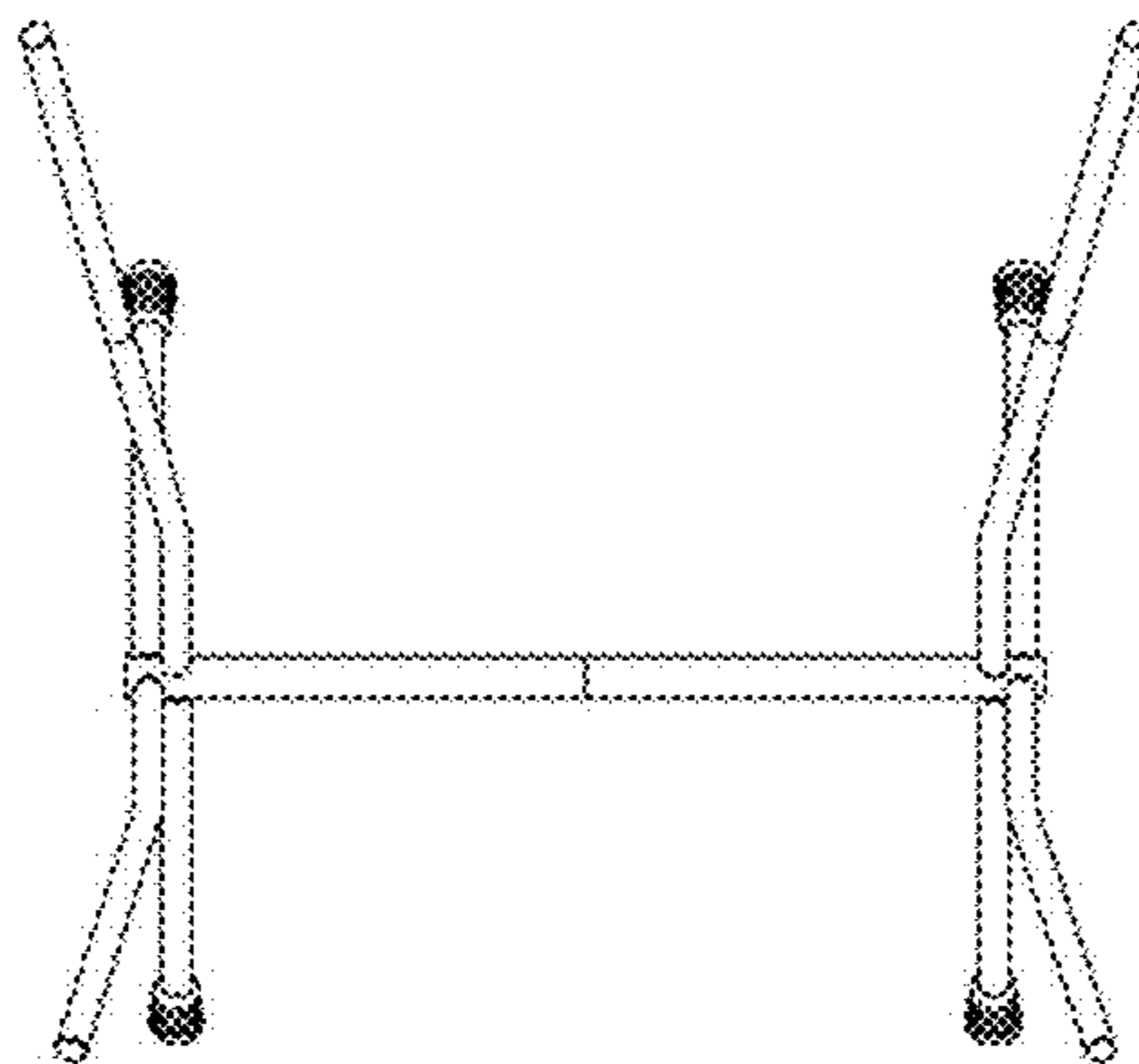
【FIG. 4】



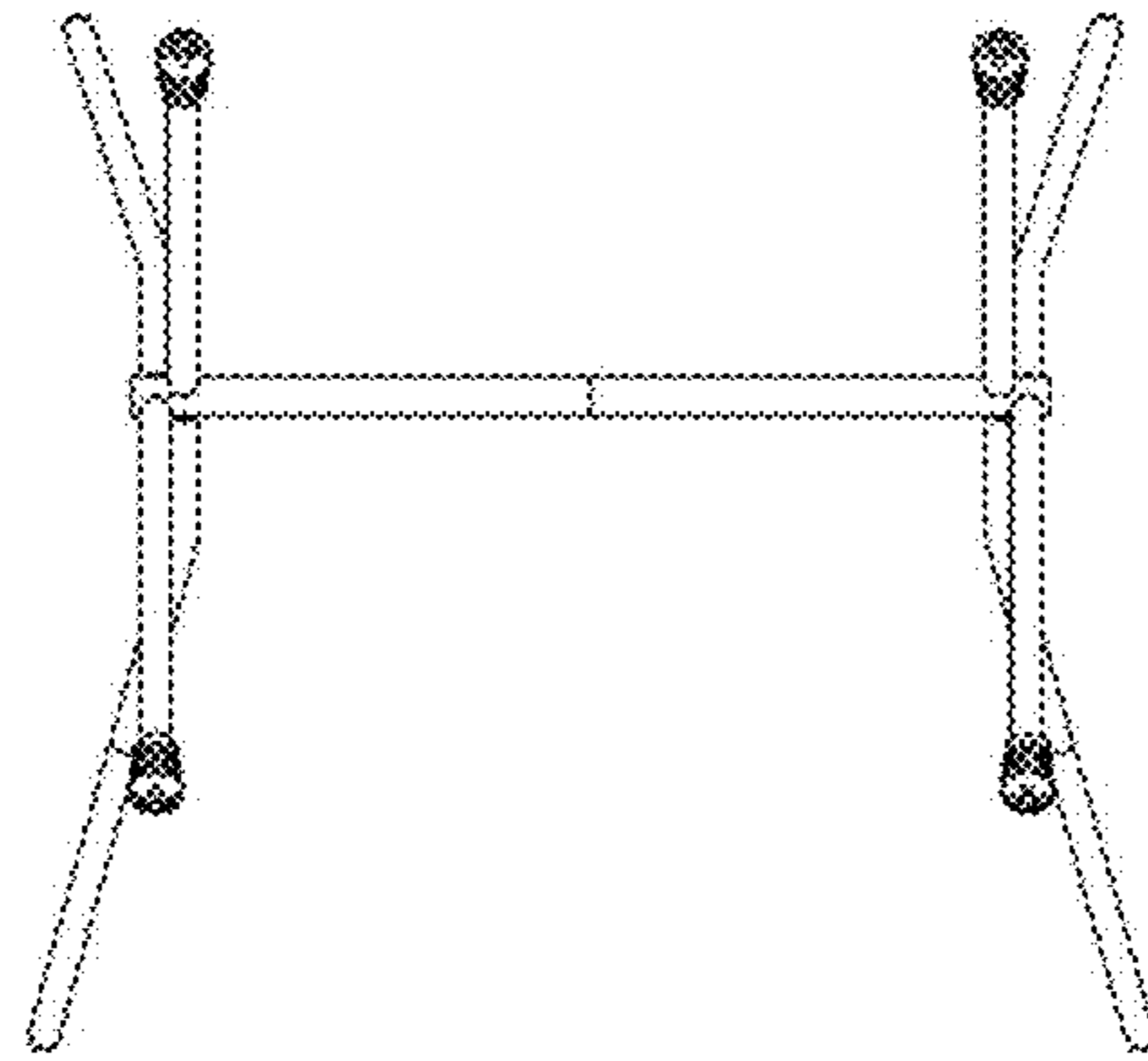
【FIG. 5】



【FIG. 6】



【FIG. 7】



【FIG. 8】

