



US00D937616S

(12) **United States Design Patent**
Tang

(10) **Patent No.:** **US D937,616 S**

(45) **Date of Patent:** **** Dec. 7, 2021**

- (54) **INSTRUMENT WALL HANGER**
- (71) Applicant: **Fang Tang**, Shenzhen (CN)
- (72) Inventor: **Fang Tang**, Shenzhen (CN)
- (**) Term: **15 Years**
- (21) Appl. No.: **29/724,579**
- (22) Filed: **Feb. 18, 2020**
- (51) **LOC (13) Cl.** **06-06**
- (52) **U.S. Cl.**
USPC **D6/682.5**
- (58) **Field of Classification Search**
USPC D6/672, 678, 682, 682.1, 682.3, 512,
D6/513, 552, 553, 320; D8/354
CPC .. A47F 5/00; A47F 5/0006; A47F 5/08; A47F
5/10; A47F 7/00; A47F 7/0021; A47G
29/00
See application file for complete search history.

D610,372 S *	2/2010	Samu	D6/682
D644,053 S *	8/2011	Newcomer	D6/566
D701,449 S *	3/2014	Xiao	D8/373
8,746,640 B2 *	6/2014	Broadley	F16B 45/00 248/220.21
D717,387 S *	11/2014	Wright	D22/107
D717,388 S *	11/2014	Wright, III	D22/107
D718,963 S *	12/2014	Hazlett	D6/682.3
D721,572 S *	1/2015	Dias	D8/373
D741,694 S *	10/2015	Bahler	D8/372
D749,344 S *	2/2016	Belitz	D6/682.3
D774,324 S *	12/2016	Gilbert	D6/563
D794,431 S *	8/2017	Goodman	D8/372
D817,152 S *	5/2018	Ng	D8/354
D819,428 S *	6/2018	Ng	D8/354
2009/0014400 A1 *	1/2009	Nawrocki	A47F 5/0006 211/90.03

* cited by examiner

Primary Examiner — Kelley A Donnelly
(74) *Attorney, Agent, or Firm* — W&KIP

(57) **CLAIM**

The ornamental design for an instrument wall hanger, as shown and described.

DESCRIPTION

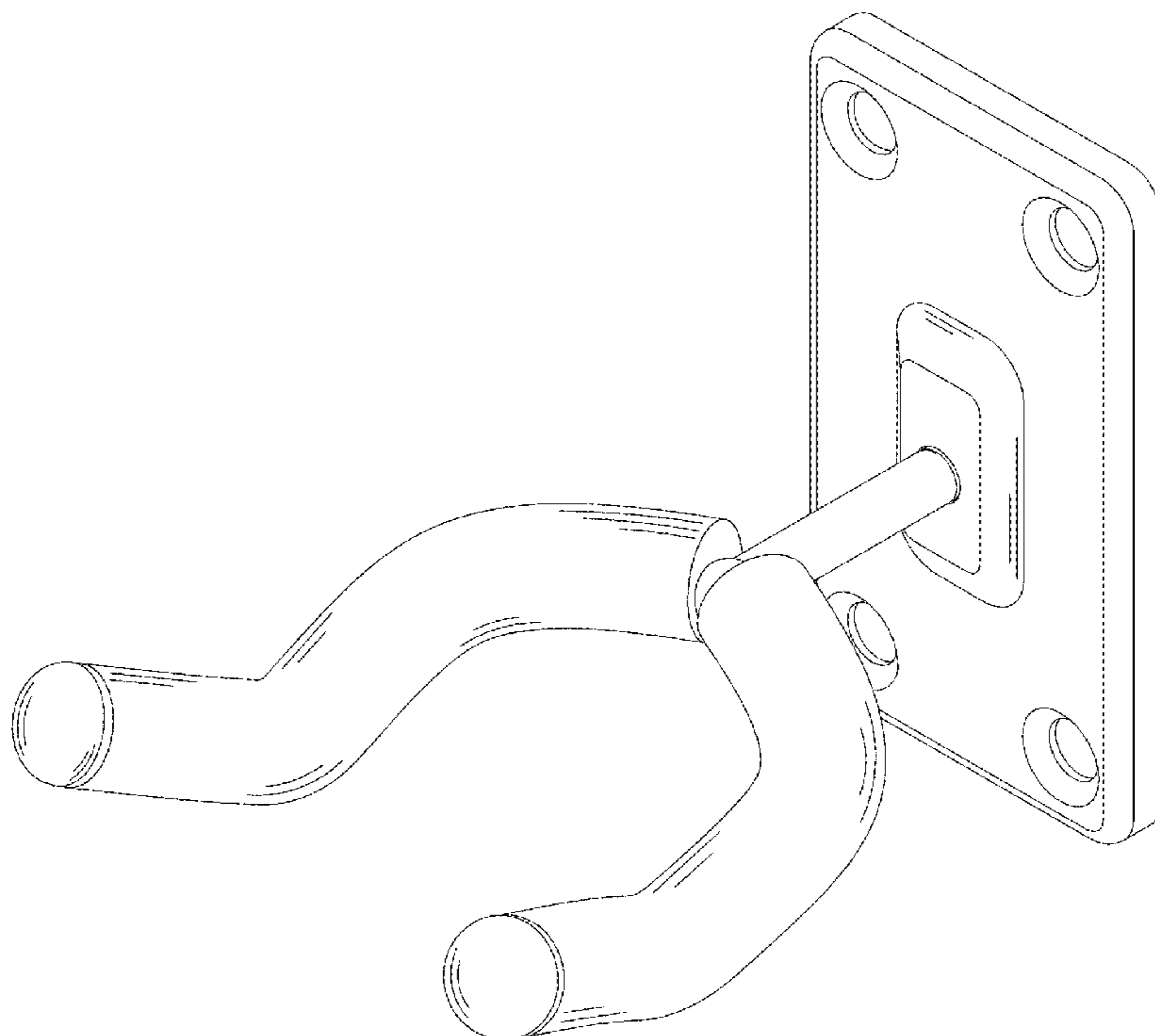
FIG. 1 is a perspective view of an instrument wall hanger showing my new design;
FIG. 2 is a front elevational view thereof;
FIG. 3 is a top plan view thereof;
FIG. 4 is a left side elevational view thereof;
FIG. 5 is a rear elevational view thereof;
FIG. 6 is a right side view thereof; and,
FIG. 7 is a bottom plan view thereof.

1 Claim, 7 Drawing Sheets

(56) **References Cited**

U.S. PATENT DOCUMENTS

D255,646 S *	7/1980	Fischer	D8/370
D283,032 S *	3/1986	Quesnel	D17/20
D283,786 S *	5/1986	Chap	D6/572
D380,665 S *	7/1997	Berg	D8/367
6,231,018 B1 *	5/2001	Barbieri	G10G 5/00 248/302
D508,342 S *	8/2005	Citrenbaum	D6/672
D515,354 S *	2/2006	Sano	D7/393
D516,413 S *	3/2006	Anderson	D8/373
D542,126 S *	5/2007	Ernst	D7/372
D577,576 S *	9/2008	Ernst	D8/373
D609,940 S *	2/2010	Samu	D6/682



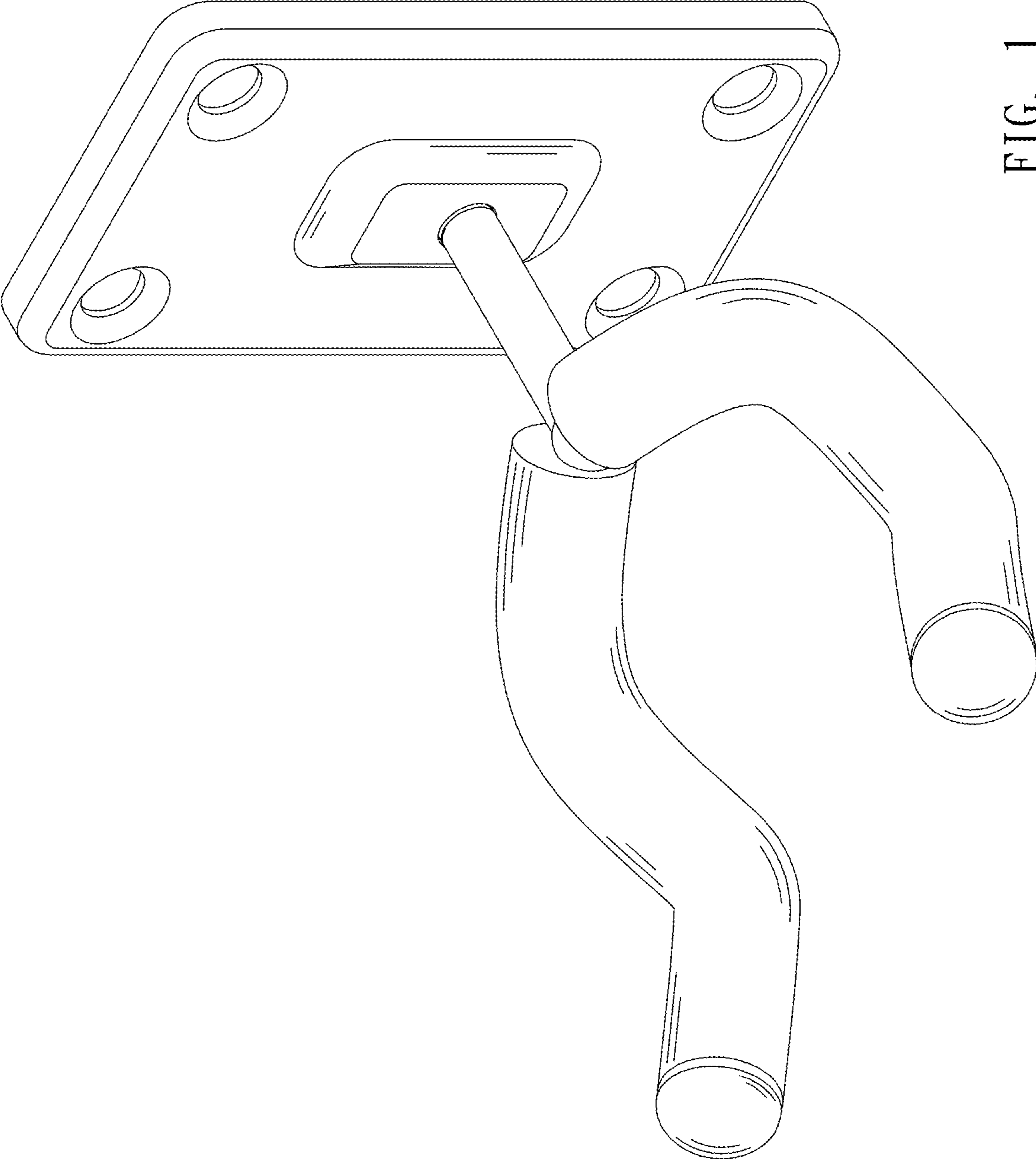


FIG. 1

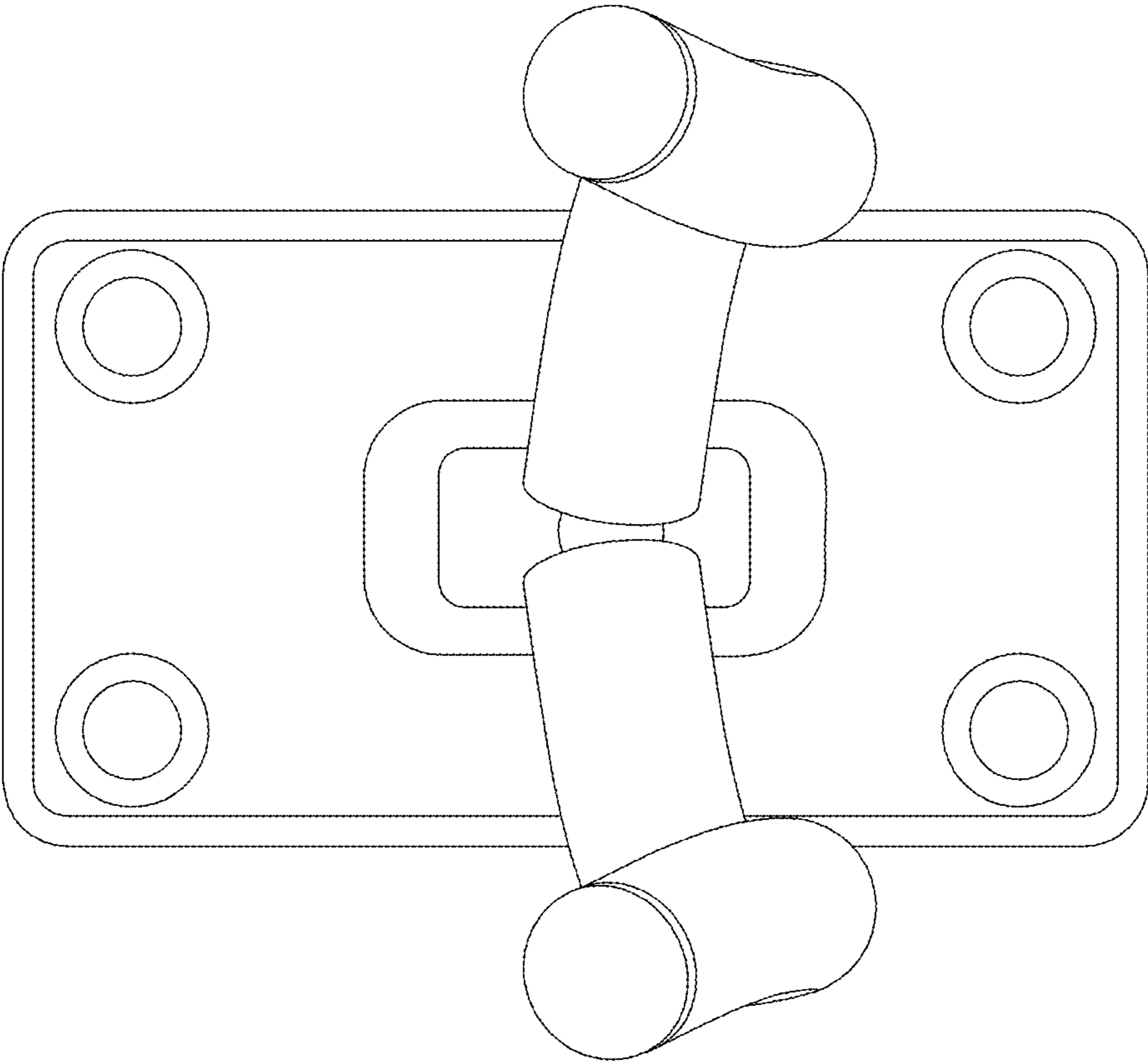


FIG. 2

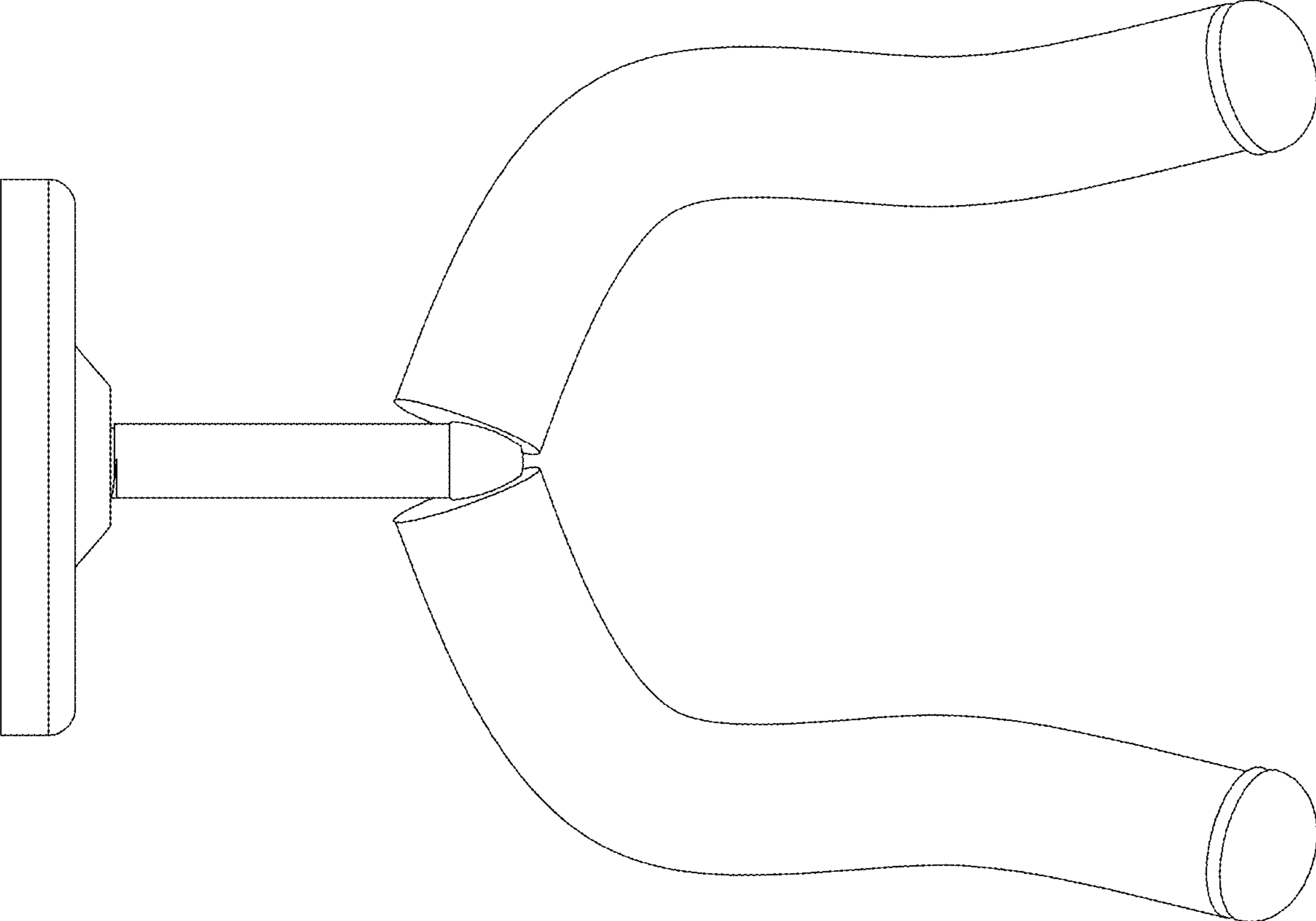


FIG. 3

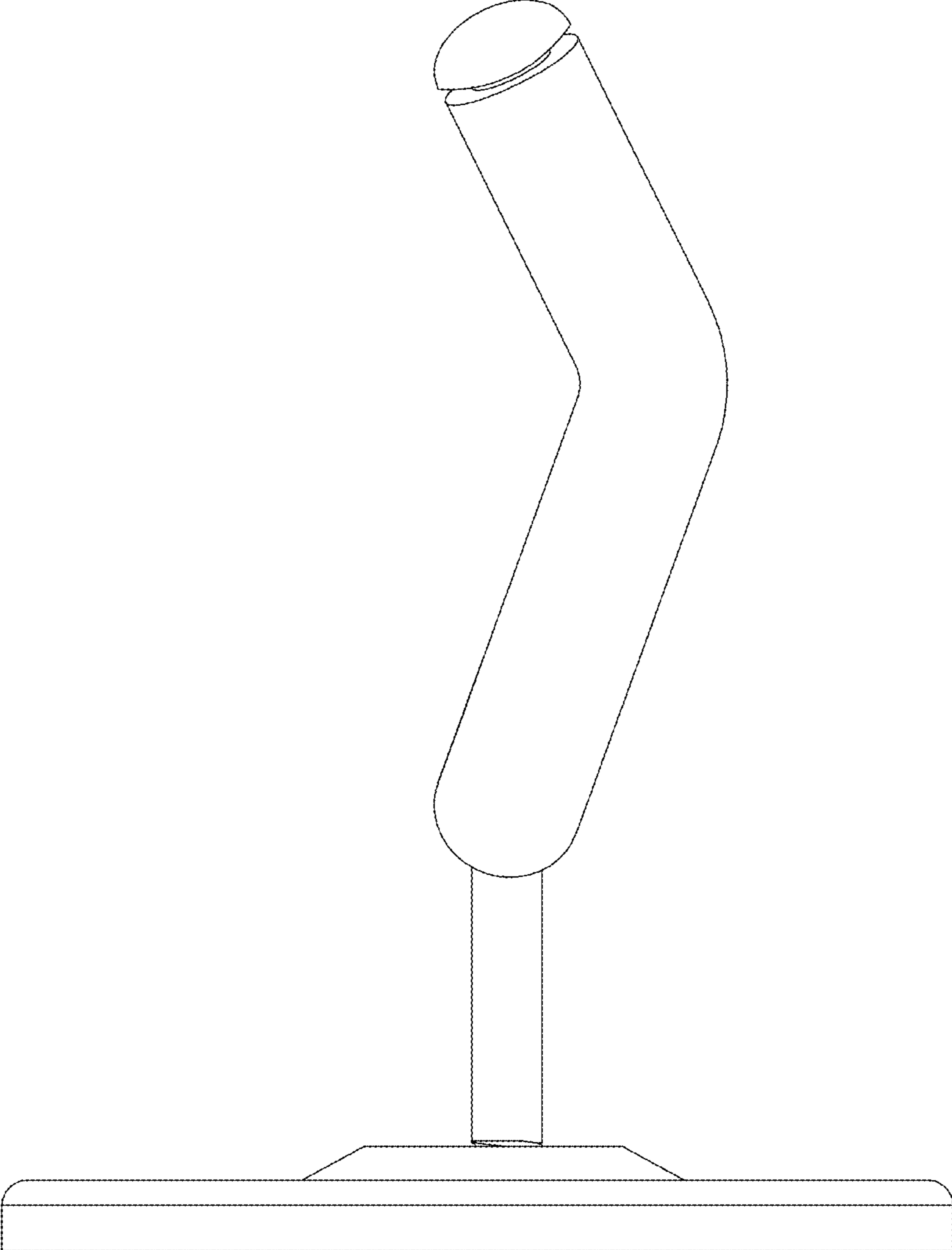


FIG. 4

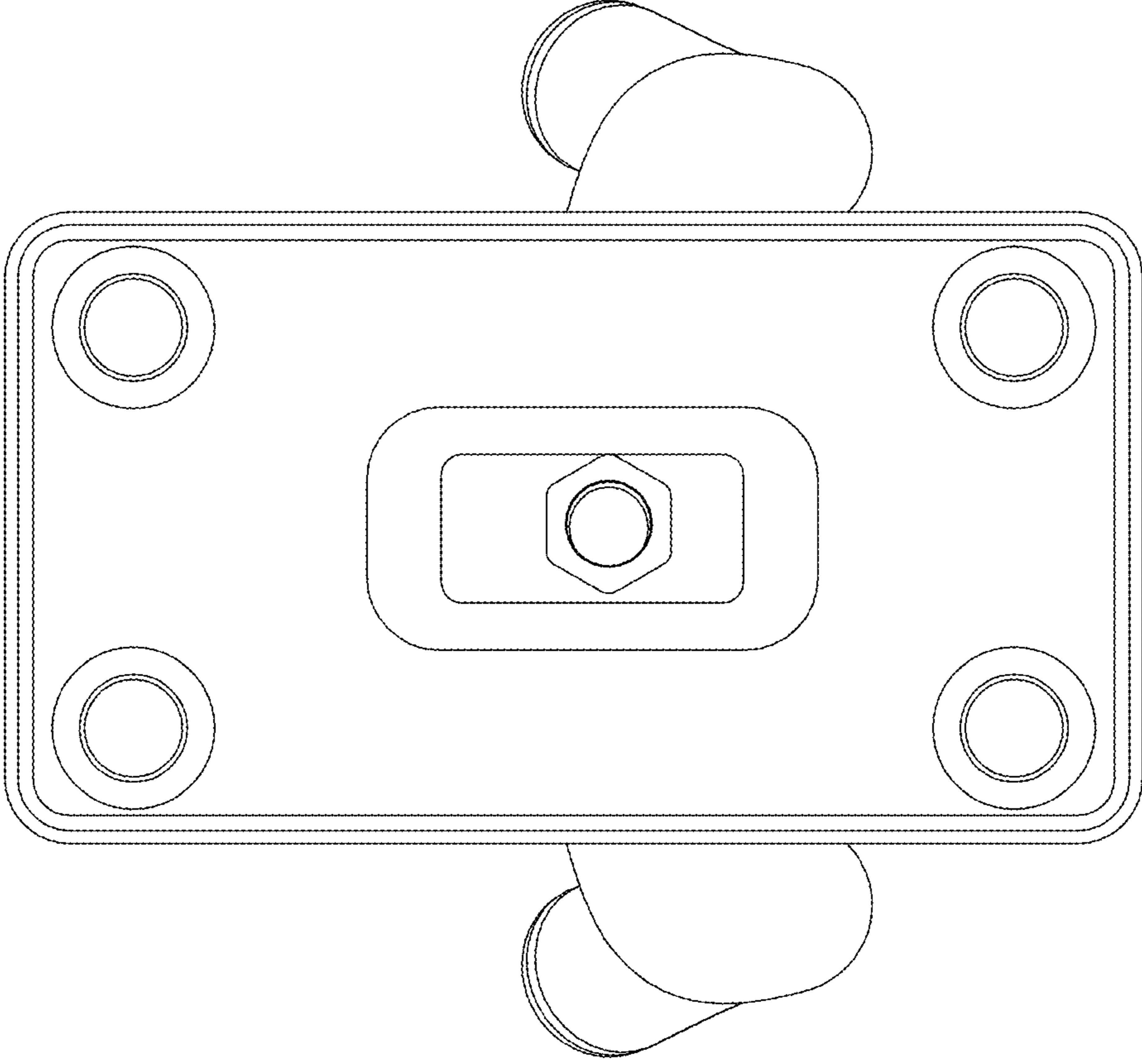


FIG. 5

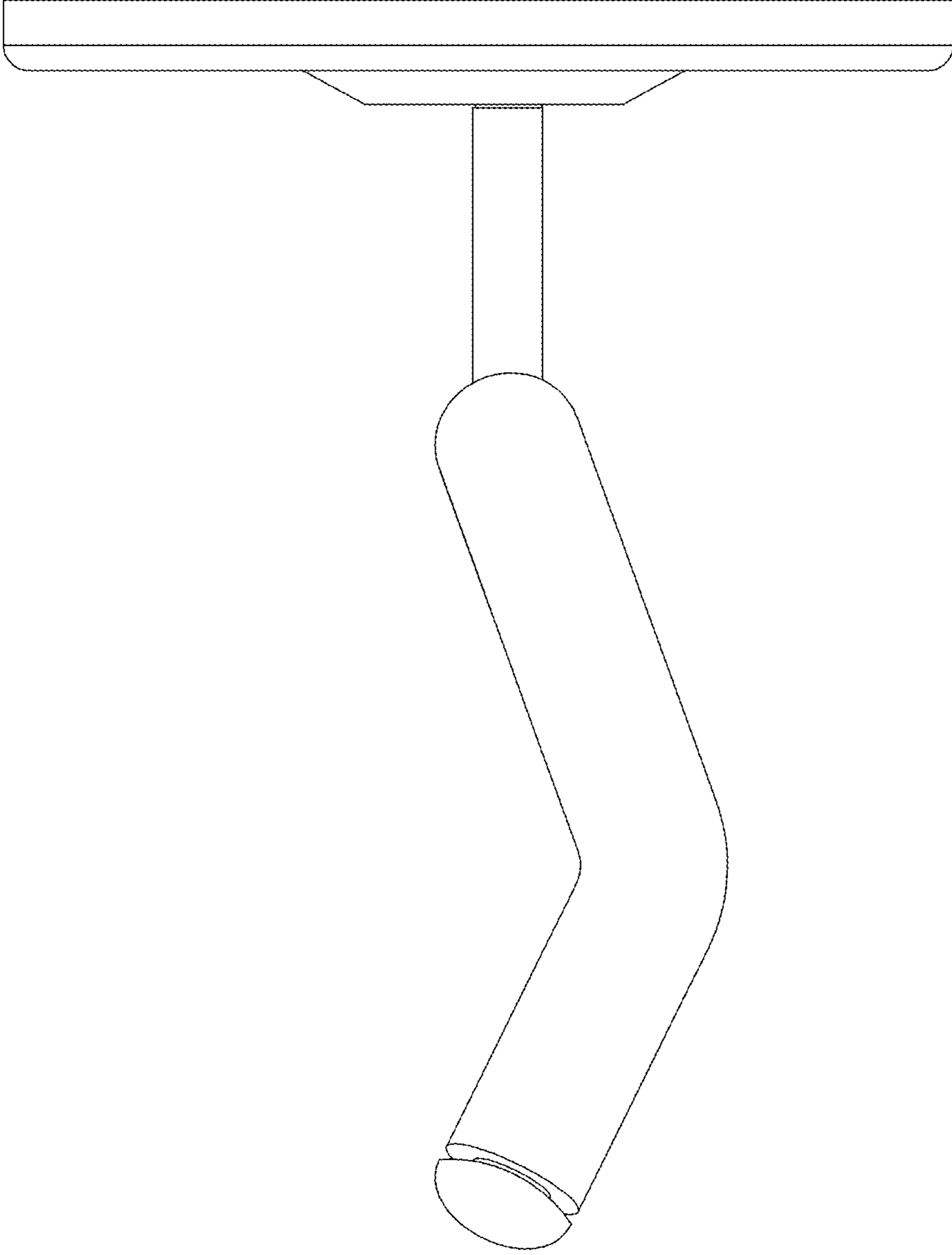


FIG. 6

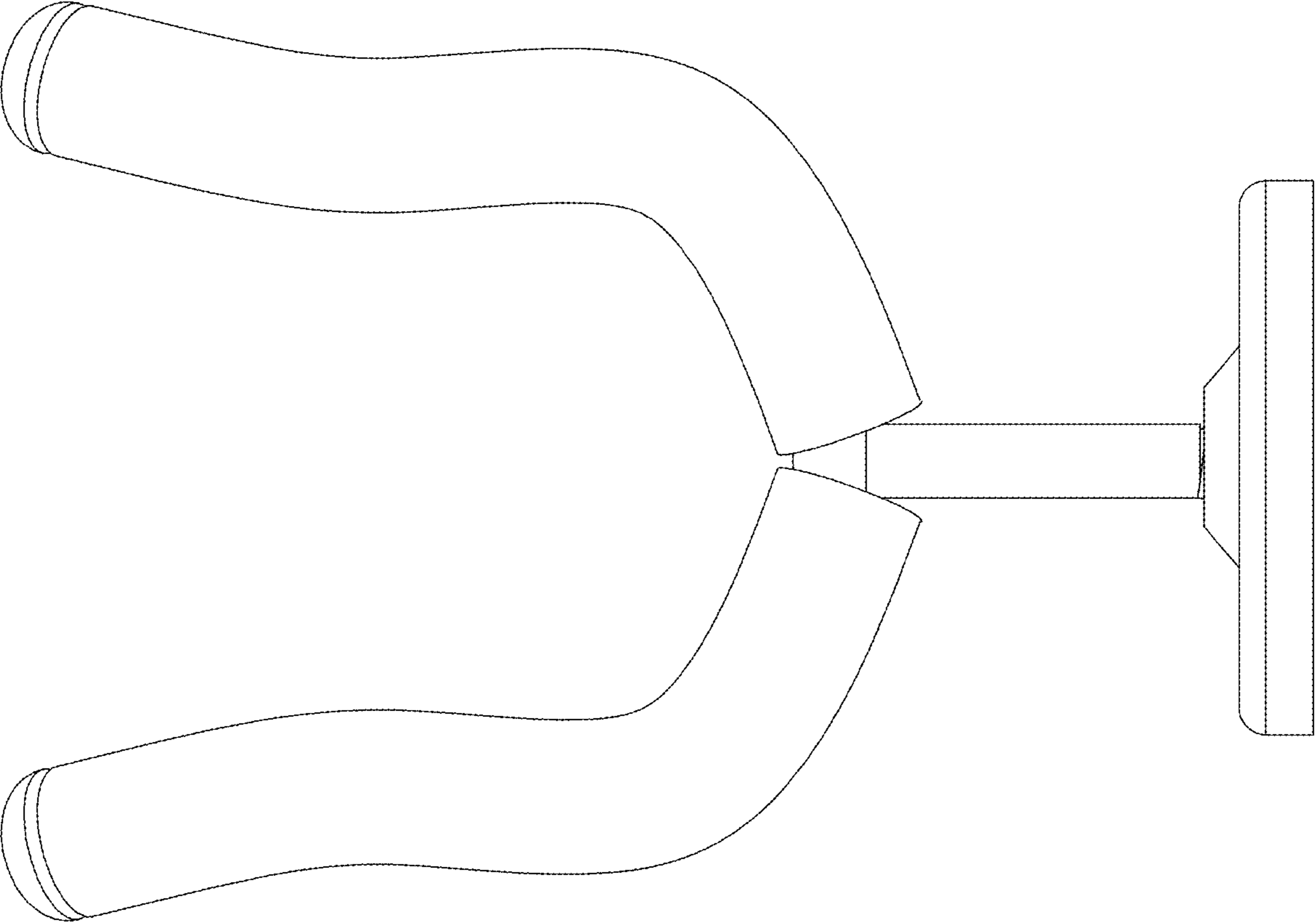


FIG. 7