



US00D937615S

(12) **United States Design Patent** (10) **Patent No.:** **US D937,615 S**
Li (45) **Date of Patent:** **** Dec. 7, 2021**

(54) **FOLDABLE STORAGE RACK**
(71) Applicant: **Jiancheng Li**, Hunan (CN)
(72) Inventor: **Jiancheng Li**, Hunan (CN)
(73) Assignee: **Huizhou Lianxiang Furniture Co., Ltd.**, Guangdong (CN)
(**) Term: **15 Years**

6,349,962 B1 * 2/2002 Johanson B62B 3/02
280/42
D542,058 S * 5/2007 Clucas D6/675.2
D620,729 S * 8/2010 Snider D6/675.2
9,133,976 B2 * 9/2015 Lin A47B 9/00
D804,861 S * 12/2017 Failing D6/655.1
D859,037 S * 9/2019 Martin D6/656
D864,619 S * 10/2019 Hu D6/655
D911,084 S * 2/2021 Sabounjian D6/675.2
2013/0145972 A1 * 6/2013 Knox B60N 2/24
108/145
2016/0286955 A1 * 10/2016 Cohen B62B 3/02

(21) Appl. No.: **29/736,265**
(22) Filed: **May 29, 2020**
(51) **LOC (13) Cl.** **06-06**
(52) **U.S. Cl.**
USPC **D6/675.2**
(58) **Field of Classification Search**
USPC D6/672, 675, 675.1, 675.2, 675.3, 675.4,
D6/675.5
CPC A47B 47/02; A47B 47/021; A47B 55/00;
A47B 55/02; A47F 1/00; A47F 5/0018;
A47F 5/0043; A47F 5/01; A47F 7/00;
A47F 5/10
See application file for complete search history.

* cited by examiner

Primary Examiner — Kelley A Donnelly

(57) **CLAIM**

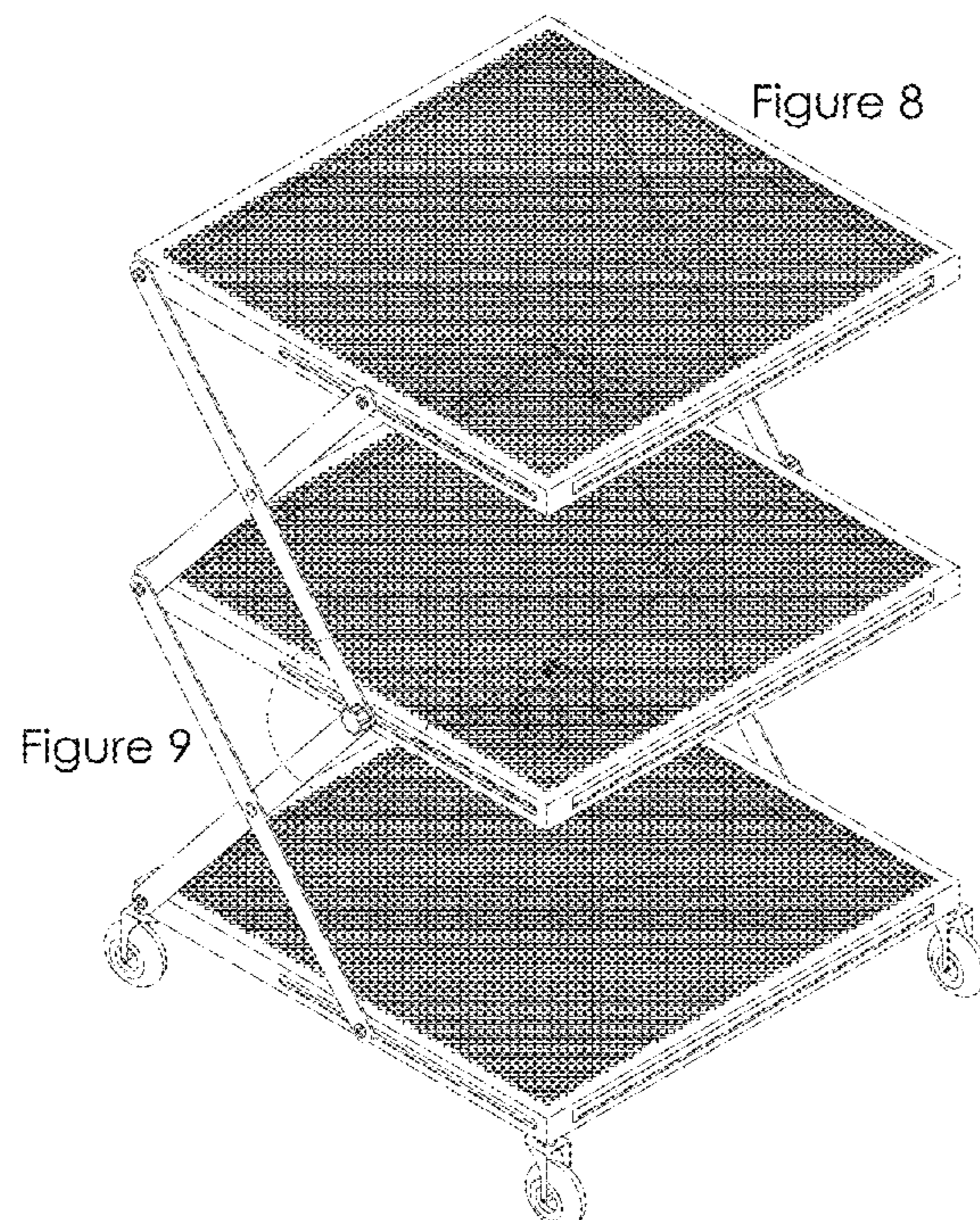
The ornamental design for a foldable storage rack, as shown and described.

DESCRIPTION

FIG. 1 is a perspective view of a foldable storage rack showing my new design;
FIG. 2 is a front elevation view thereof;
FIG. 3 is a rear elevation view thereof;
FIG. 4 is a left side elevation view thereof;
FIG. 5 is a right side elevation view thereof;
FIG. 6 is a top plan view thereof;
FIG. 7 is a bottom plan view thereof;
FIG. 8 is an enlarged view of the foldable storage rack taken from the circle portion in FIG. 1; and,
FIG. 9 is another enlarged view of the foldable storage rack taken from the circle portion in FIG. 1.

1 Claim, 9 Drawing Sheets

(56) **References Cited**
U.S. PATENT DOCUMENTS
70,339 A * 10/1867 Kreitz A47B 19/06
108/9
1,814,838 A * 7/1931 Martin A47B 3/02
108/99
2,581,023 A * 1/1952 Jerick A47B 9/16
108/4
2,927,702 A * 3/1960 Van Deusen, Jr. A47B 3/02
108/96



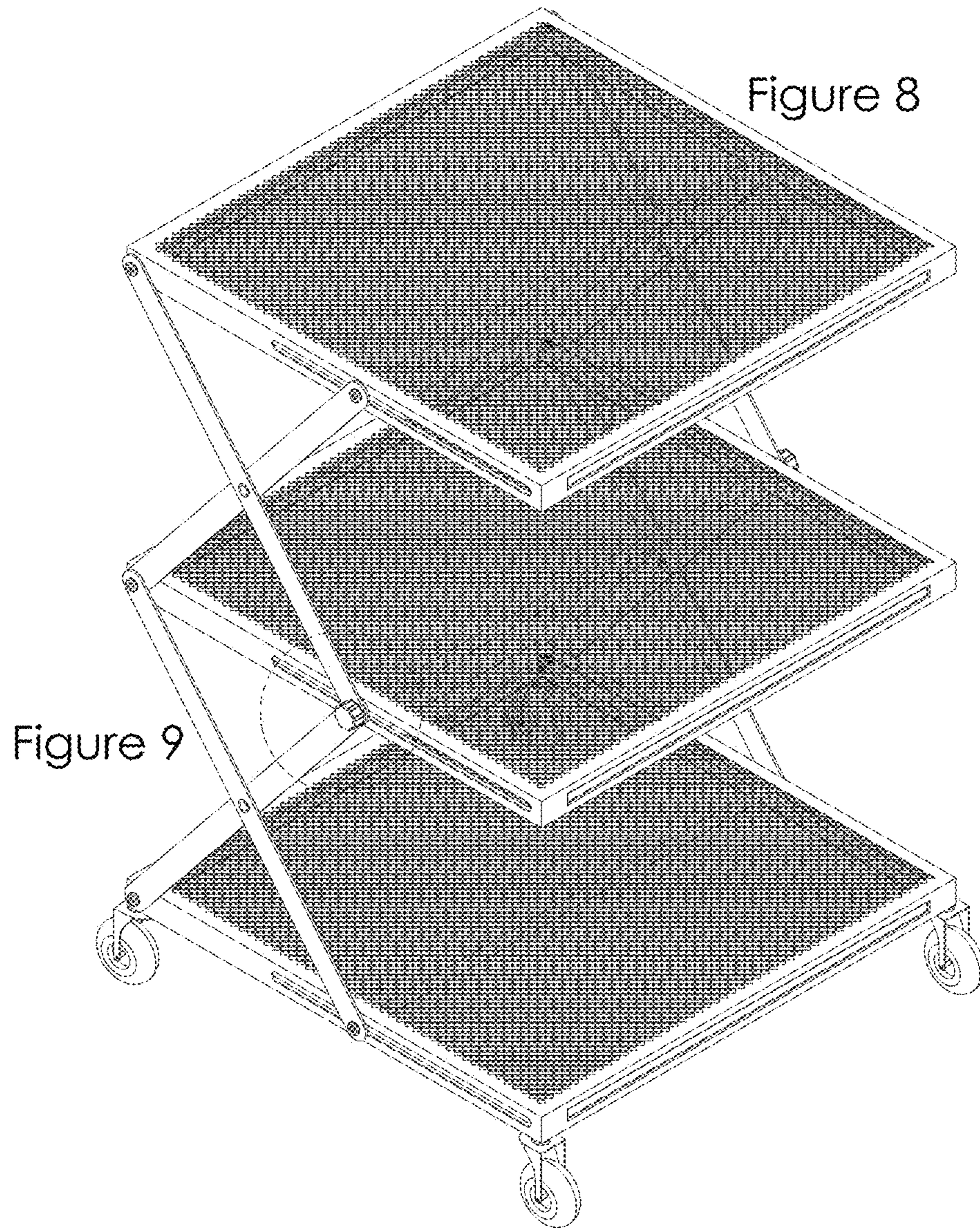


FIG.1

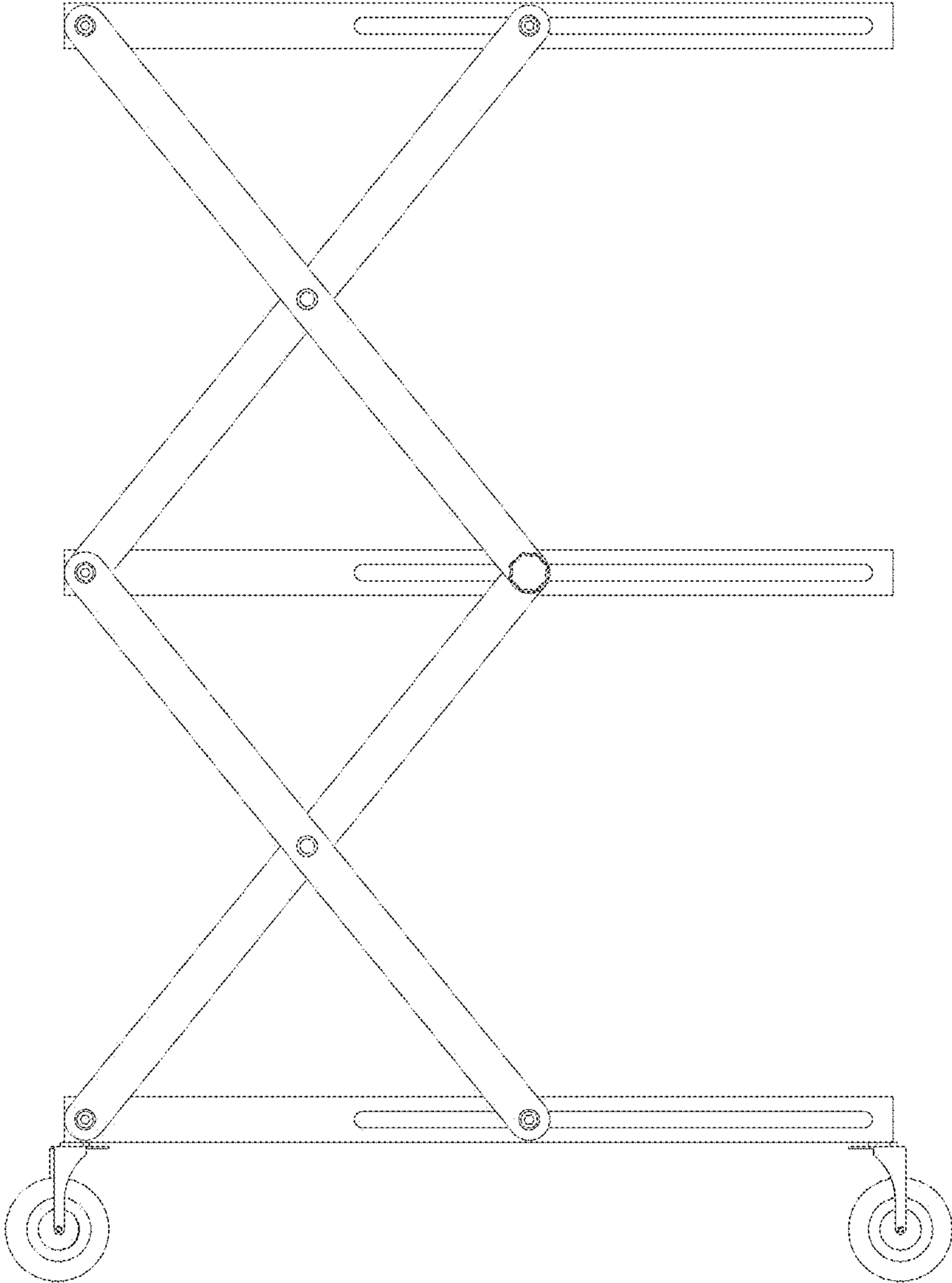


FIG.2

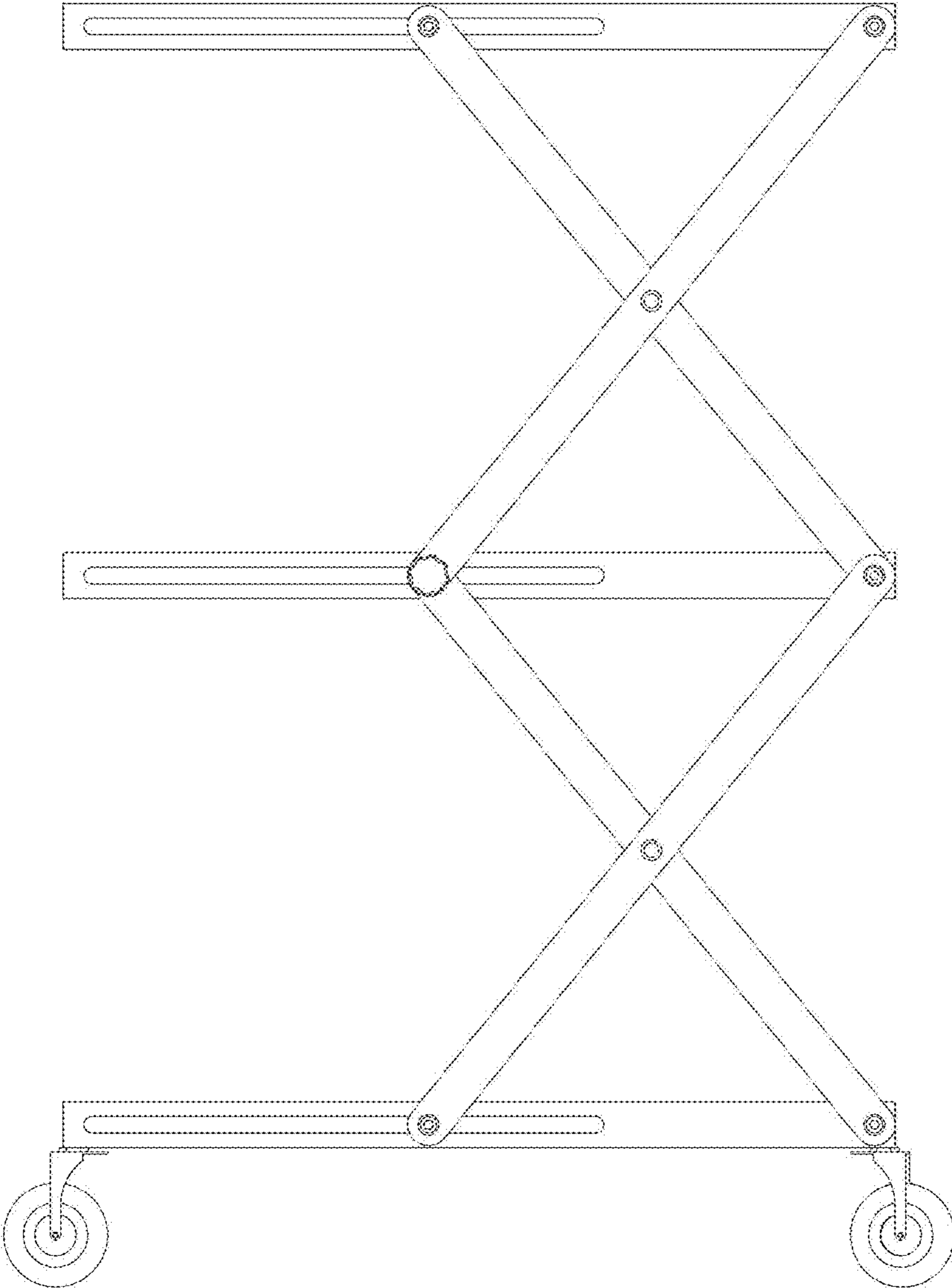


FIG.3

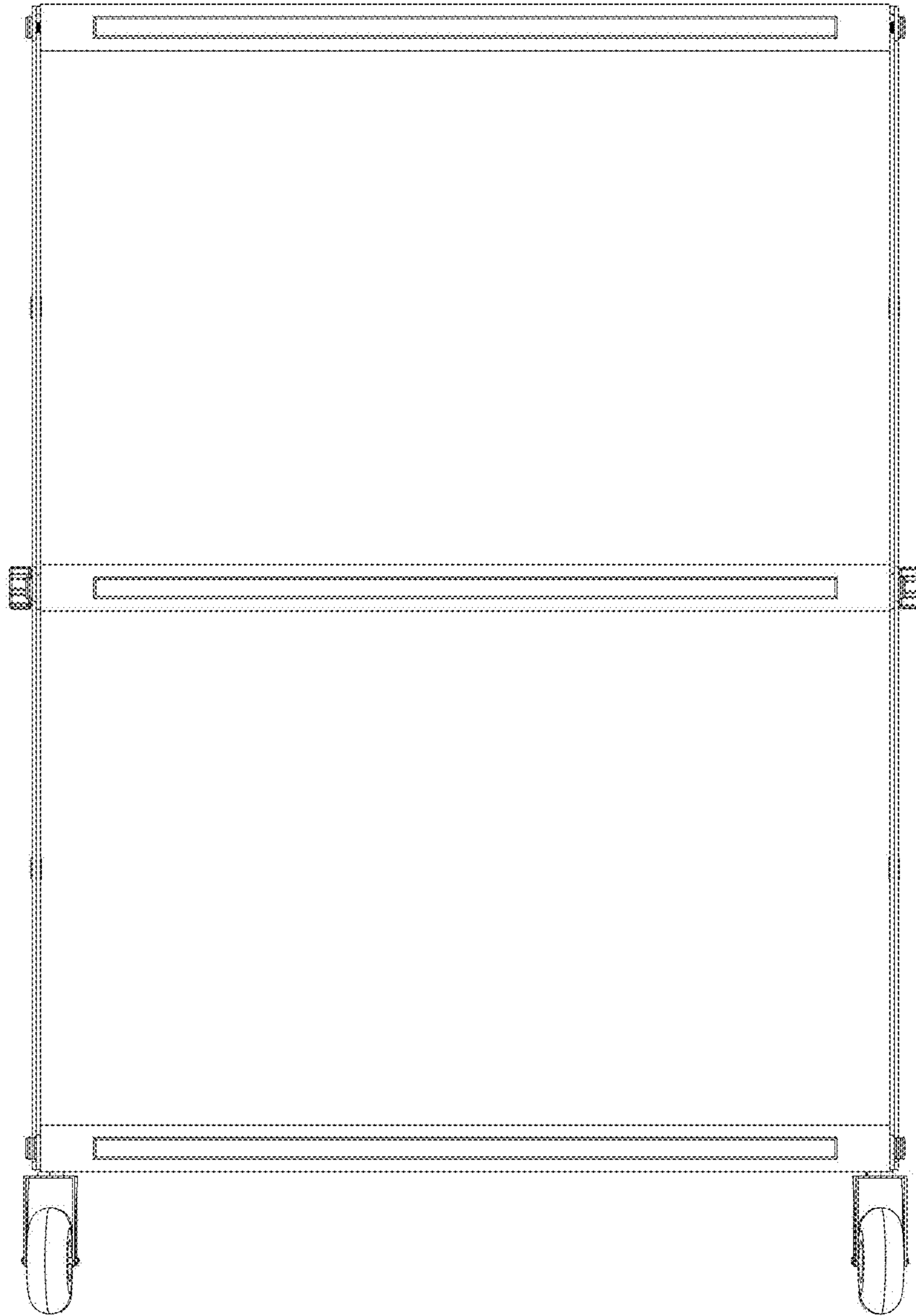


FIG.4

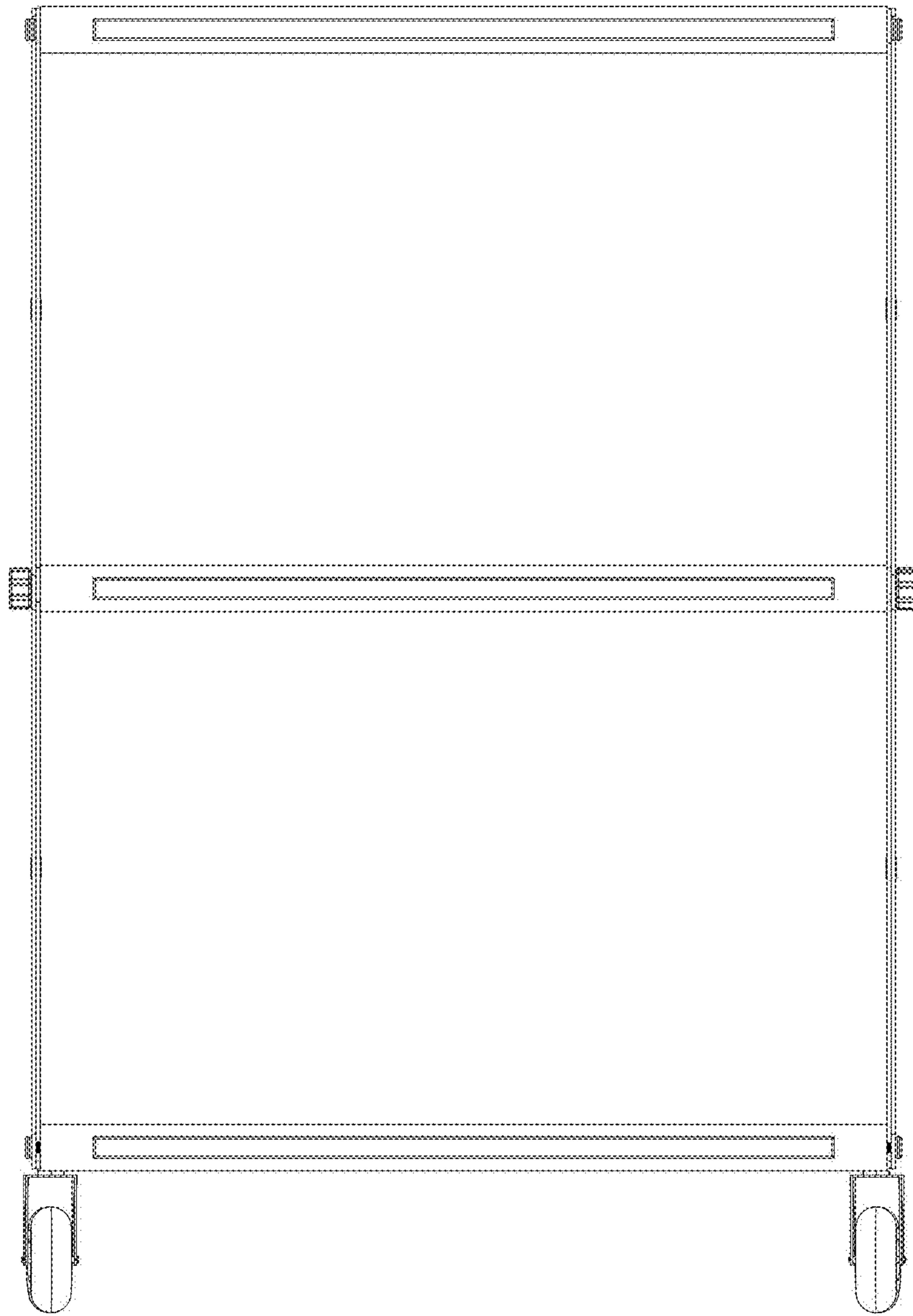


FIG.5

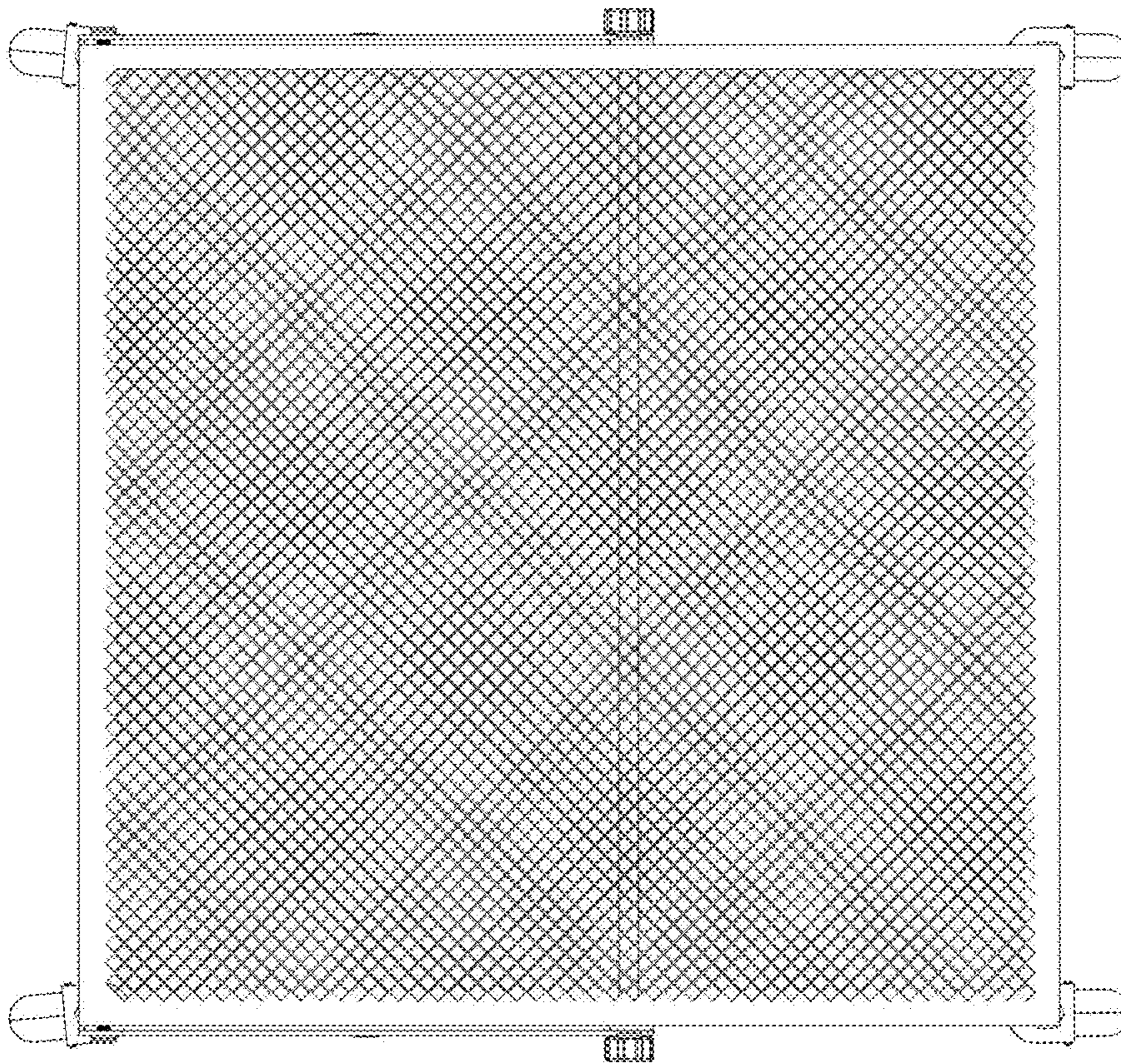


FIG.6

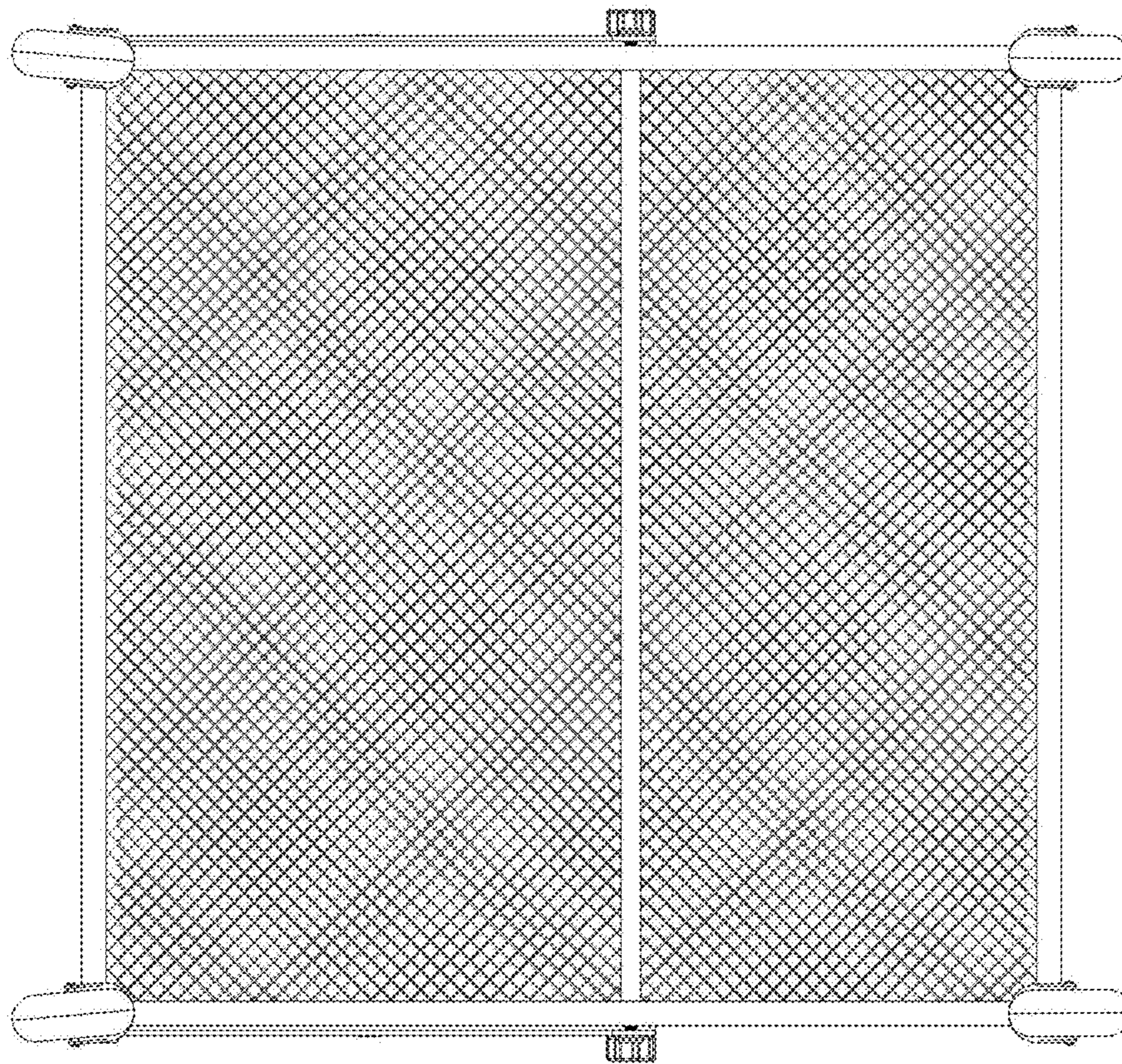


FIG. 7

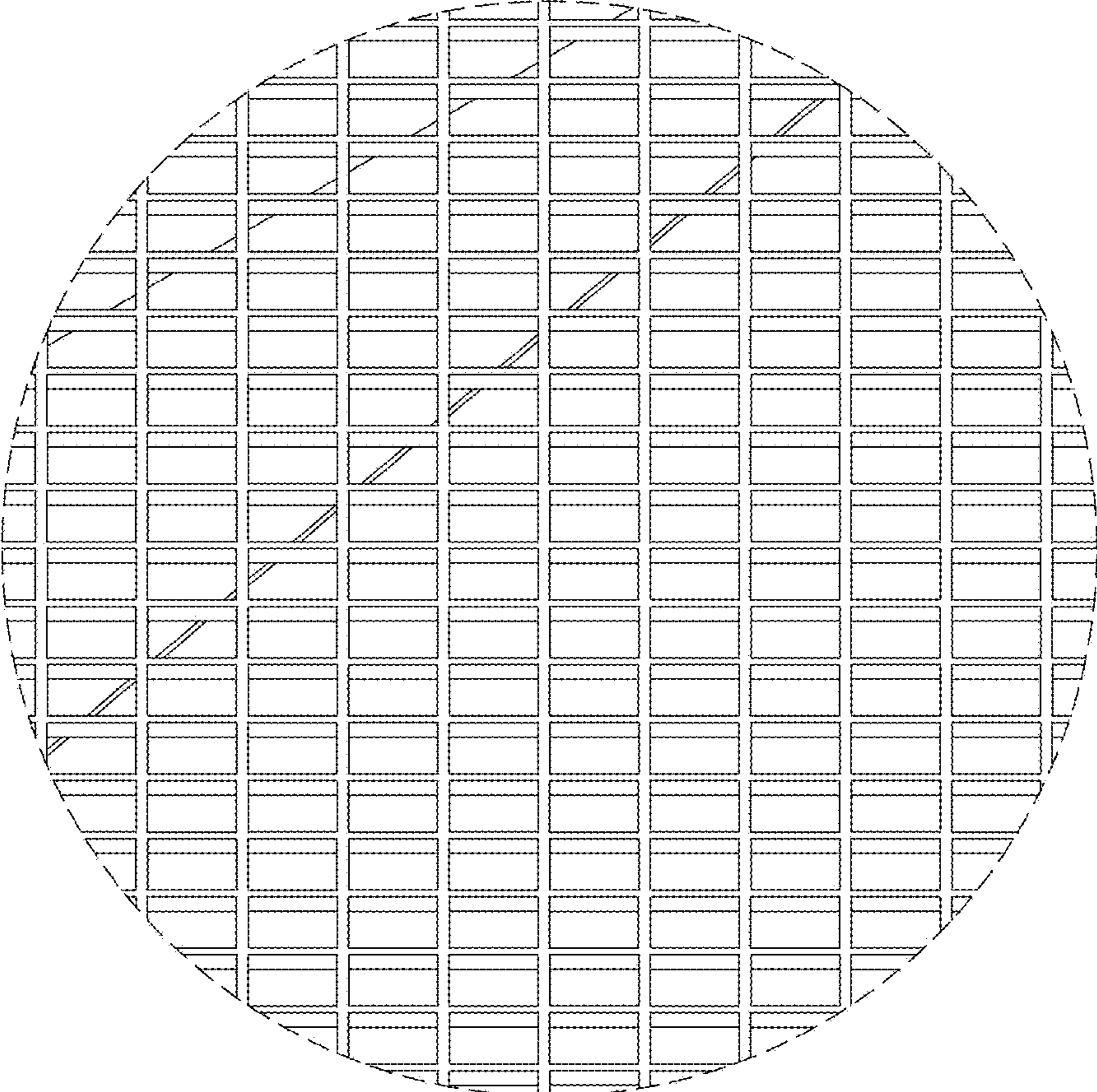


FIG. 8

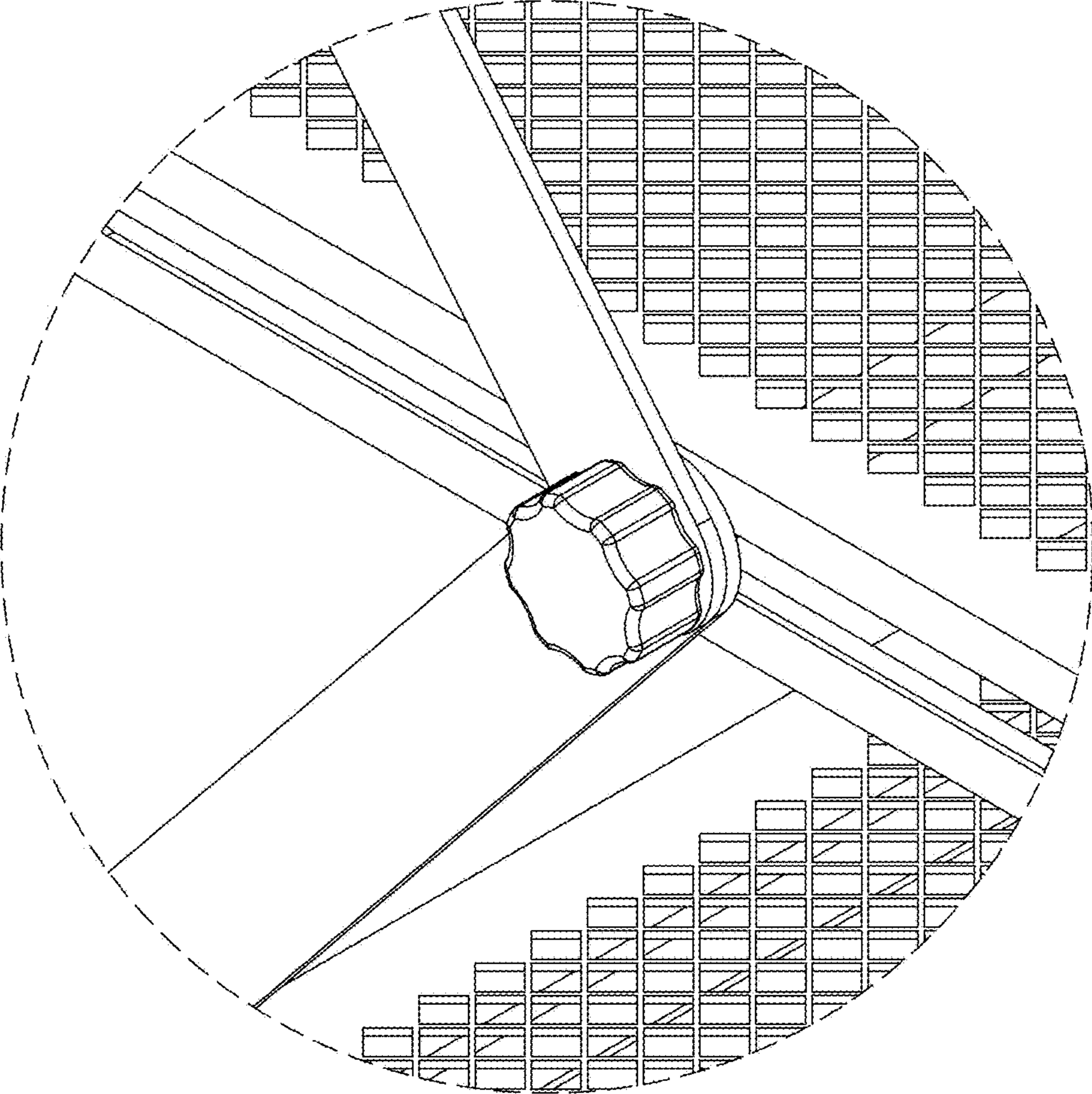


FIG. 9