



US00D937613S

(12) **United States Design Patent** (10) **Patent No.:** **US D937,613 S**
Brugger et al. (45) **Date of Patent:** **** Dec. 7, 2021**

(54) **RETAIL DISPLAY**

(71) Applicant: **Apple Inc.**, Cupertino, CA (US)

(72) Inventors: **Alice Marlin Brugger**, San Francisco, CA (US); **Richard Coward**, San Francisco, CA (US); **Joshua Robert Edwards**, Santa Cruz, CA (US); **Tracey Adam Finger**, Miami Beach, FL (US); **Jean-Marc Gady**, Los Altos, CA (US); **Gabriel Lamb**, Burlingame, CA (US); **Gregory Guillaume Lespinard**, San Jose, CA (US); **Adam John Oestreicher**, San Francisco, CA (US); **Constantino Siampos**, Alameda, CA (US); **Moritz Wilsberg**, Rheinbreitbach, DE (US); **Stephen Yustiono**, Sunnyvale, CA (US); **Mi Zou**, San Francisco, CA (US)

(73) Assignee: **Apple Inc.**, Cupertino, CA (US)

(**) Term: **15 Years**

(21) Appl. No.: **29/774,967**

(22) Filed: **Mar. 19, 2021**

Related U.S. Application Data

(63) Continuation of application No. 29/738,978, filed on Jun. 22, 2020, now Pat. No. Des. 913,731, which is a continuation of application No. 29/719,595, filed on Jan. 6, 2020, now Pat. No. Des. 887,750, which is a continuation of application No. 29/694,970, filed on Jun. 14, 2019, now Pat. No. Des. 872,508, which is a continuation of application No. 29/650,766, filed on Jun. 8, 2018, now Pat. No. Des. 851,428, which is a continuation of application No. 29/599,805, filed on Apr. 6, 2017, now Pat. No. Des. 820,619.

(51) **LOC (13) Cl.** **06-06**

(52) **U.S. Cl.**
USPC **D6/675**

(58) **Field of Classification Search**

USPC D6/672, 673, 675-675.1, 675.3, 675.4, D6/705

CPC .. A47F 1/00; A47F 3/00; A47F 5/0018; A47F 5/0043; A47F 7/00; A47F 7/0042; A47F 7/022; A47B 47/00; A47B 47/047; A47B 55/00

See application file for complete search history.

(56) **References Cited**

U.S. PATENT DOCUMENTS

455,280 A	6/1891	Emerson
2,364,870 A	12/1944	Otto
3,014,773 A	12/1961	Foote, Jr. et al.
3,063,252 A	11/1962	Lamb
D204,845 S	5/1966	Loeser
3,408,128 A	10/1968	Kump

(Continued)

Primary Examiner — Kelley A Donnelly

(74) *Attorney, Agent, or Firm* — Sterne, Kessler, Goldstein & Fox P.L.L.C.

(57) **CLAIM**

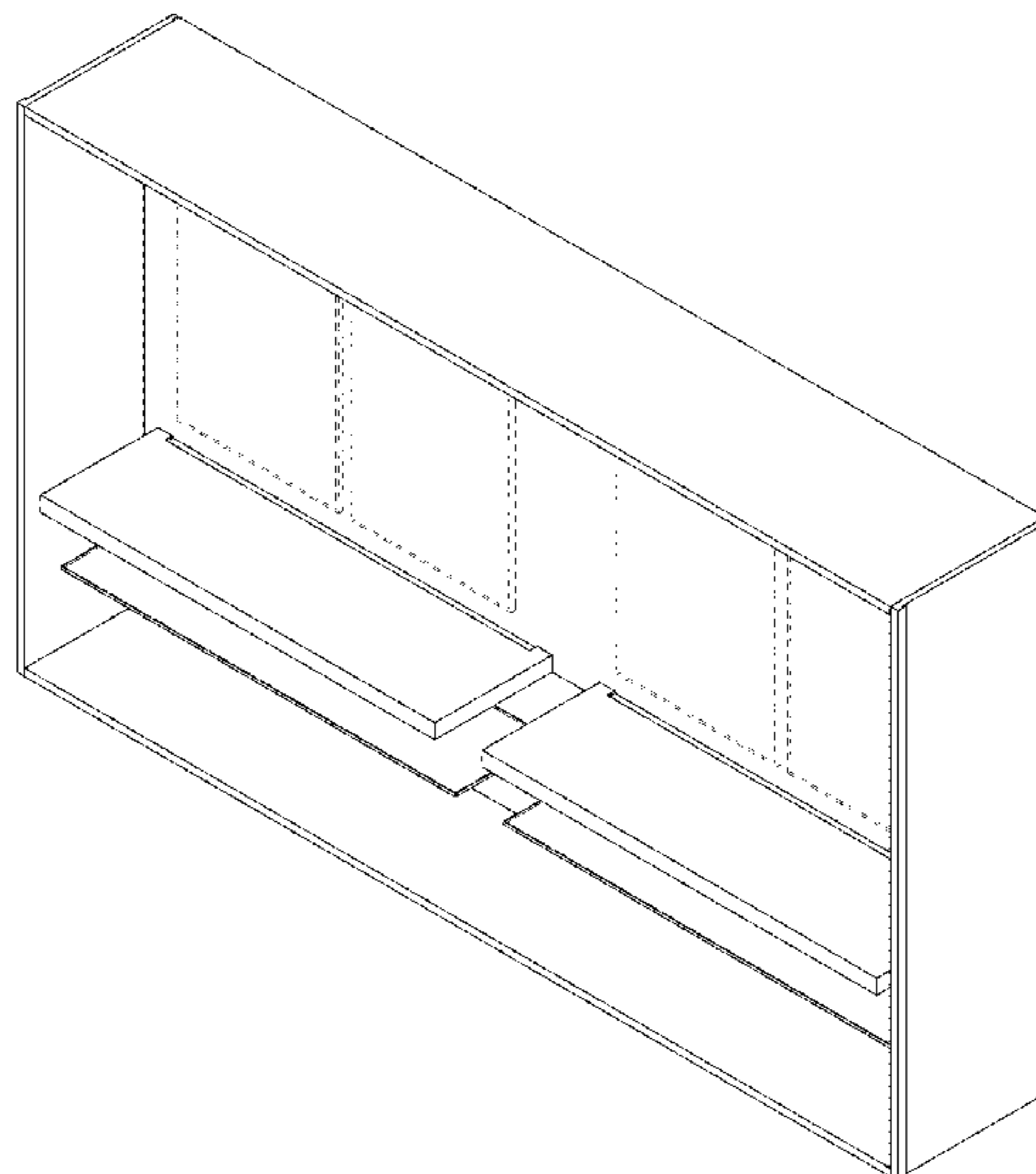
The ornamental design for a retail display, as shown and described.

DESCRIPTION

FIG. 1 is a top front perspective view of a retail display showing the claimed design;
FIG. 2 is a bottom front perspective view thereof;
FIG. 3 is a front view thereof;
FIG. 4 is a top front perspective view of another retail display showing the claimed design;
FIG. 5 is a bottom perspective view thereof; and,
FIG. 6 is a front view thereof.

The broken lines in the figures show portions of the retail display or environment that form no part of the claimed design.

1 Claim, 6 Drawing Sheets



(56)

References Cited

U.S. PATENT DOCUMENTS

3,646,696 A	3/1972	Sarkisian	D591,979 S	5/2009	Singler et al.
3,662,482 A	5/1972	Sarkisian	D592,422 S	5/2009	Rheault
D230,808 S	3/1974	Edwards	D593,775 S	6/2009	Singler et al.
4,116,509 A	9/1978	Smith	D599,122 S	9/2009	Feldpausch et al.
D251,947 S	5/1979	Taniwaki	D599,130 S	9/2009	Clark
4,193,650 A	3/1980	Gray et al.	D602,282 S	10/2009	Lulloff et al.
D256,197 S	8/1980	Kates	D607,669 S	1/2010	Trinh et al.
D265,618 S	8/1982	Robertson et al.	D607,670 S	1/2010	Trinh et al.
D269,754 S	7/1983	Kates	D608,830 S	1/2010	Taylor et al.
4,655,352 A	4/1987	Noyes et al.	D610,832 S	3/2010	Rheault
D290,204 S	6/1987	Bmget	D611,284 S	3/2010	Bertke et al.
D292,651 S	11/1987	Stratton	D618,268 S	6/2010	Takahashi et al.
D296,619 S	7/1988	Charman	D620,311 S	7/2010	Baacke et al.
4,784,205 A	11/1988	Johnson et al.	D620,457 S	7/2010	Maurer et al.
D300,288 S	3/1989	Price et al.	D622,521 S	8/2010	Urquiola
D303,458 S	9/1989	Zapf	D622,673 S	8/2010	Maurer et al.
D304,534 S	11/1989	Gustafson	D629,232 S	12/2010	Forcellina
D305,582 S	1/1990	Zapf	D632,102 S	2/2011	Sato
D314,877 S	2/1991	Bush et al.	D632,903 S	2/2011	Paul
5,018,291 A	5/1991	Pasquale et al.	D637,421 S	5/2011	Theisen et al.
D318,383 S	7/1991	Terrell et al.	D637,422 S	5/2011	Theisen et al.
D321,100 S	10/1991	Dorrell	D641,987 S	* 7/2011	Giroux D6/675
D322,187 S	12/1991	Leis et al.	D641,988 S	7/2011	Giroux
D326,966 S	6/1992	Eggink et al.	D641,989 S	7/2011	Giroux et al.
D329,155 S	9/1992	Schremmer	D641,992 S	7/2011	Giroux et al.
D331,917 S	12/1992	DuBrucq	D642,390 S	8/2011	West
D332,018 S	12/1992	Pas et al.	D642,824 S	8/2011	Theisen et al.
D332,972 S	2/1993	Lott	D644,039 S	8/2011	Naples et al.
D333,931 S	3/1993	Wein	D645,090 S	9/2011	Gimpel et al.
D336,725 S	6/1993	Emanuel	D646,269 S	10/2011	Crick, Jr. et al.
D342,846 S	1/1994	Stefanowicz	D646,503 S	10/2011	Fiori
D346,829 S	5/1994	Keefe	D648,783 S	11/2011	Mathea
5,316,156 A	5/1994	Land et al.	D649,192 S	11/2011	Beukema et al.
D354,638 S	1/1995	Todd et al.	D652,152 S	1/2012	Martin et al.
D365,947 S	1/1996	Howard	D657,978 S	4/2012	Hamm et al.
5,618,141 A	4/1997	Field	D661,124 S	6/2012	Curbbun et al.
D389,345 S	1/1998	Grosfillex	D661,922 S	6/2012	Mitri
D392,474 S	3/1998	Frasketi	D662,329 S	6/2012	Arko et al.
D397,562 S	9/1998	DePottey et al.	D667,904 S	9/2012	DeFrancisci
D398,462 S	9/1998	Baluk et al.	D669,693 S	10/2012	Göranson et al.
D420,223 S	2/2000	Chipman et al.	D669,694 S	10/2012	Yoo et al.
D420,519 S	2/2000	Chen	D678,969 S	3/2013	Oldknow et al.
D420,535 S	2/2000	Klock	D679,521 S	4/2013	Hamm et al.
D421,249 S	2/2000	Rooyakkers et al.	D680,350 S	4/2013	Peake-Atkins et al.
D422,796 S	4/2000	Milligan et al.	D685,433 S	7/2013	De Iuliis et al.
6,170,678 B1	1/2001	de la Fuente	D689,306 S	9/2013	Fishman et al.
D439,445 S	3/2001	Riga et al.	D691,208 S	10/2013	Gorelick
D440,078 S	4/2001	Carrabba	D691,838 S	10/2013	Hinkle
D442,796 S	5/2001	Brozak, Jr.	D692,707 S	11/2013	Yoo et al.
D450,465 S	11/2001	Overthun et al.	D693,156 S	11/2013	Hamm et al.
D458,037 S	6/2002	Ueno	D693,478 S	11/2013	Irick et al.
D458,038 S	6/2002	Ueno	D696,879 S	1/2014	Roekens et al.
D458,773 S	6/2002	Battaglia, Jr. et al.	D700,901 S	3/2014	Giglio et al.
D466,331 S	12/2002	Chang	D703,467 S	4/2014	Ho et al.
D476,818 S	7/2003	Stravitz	D708,270 S	7/2014	Heirakuji et al.
D479,925 S	9/2003	Hsieh et al.	D708,459 S	7/2014	Heirakuji et al.
D495,901 S	9/2004	Bosman	D712,181 S	9/2014	Martell et al.
D497,486 S	10/2004	Quiel	D713,659 S	9/2014	Stafford et al.
D506,331 S	6/2005	Quintal	D717,808 S	11/2014	Tsuru et al.
D509,368 S	9/2005	Tishler	D719,172 S	12/2014	Tsuru et al.
D521,275 S	5/2006	Dusenberry	D719,381 S	12/2014	DeLaGrange
D537,654 S	3/2007	Chang	D721,695 S	1/2015	Birgeoglu
D538,068 S	3/2007	Newhouse et al.	D721,696 S	1/2015	Birgeoglu
D538,556 S	3/2007	Arias	D723,843 S	3/2015	Lai
7,228,654 B2	6/2007	Stravitz	D728,283 S	5/2015	Weshler et al.
D553,392 S	10/2007	Juneau	D730,664 S	6/2015	Klein et al.
D554,907 S	11/2007	Edison et al.	D730,852 S	6/2015	Park et al.
D554,908 S	11/2007	Edison et al.	D737,078 S	8/2015	McKinney
D559,566 S	1/2008	Amezola Portuondo	D737,604 S	9/2015	Bridger et al.
D575,532 S	8/2008	Whetman	D741,091 S	10/2015	Tio et al.
D576,426 S	9/2008	Yuen-Schat et al.	D742,455 S	11/2015	Denby et al.
D584,902 S	1/2009	Neff et al.	9,280,227 B2	3/2016	Reynolds et al.
D590,607 S	4/2009	Beno et al.	D753,938 S	4/2016	DeLaGrange
D590,630 S	4/2009	Singler et al.	D759,389 S	6/2016	Li et al.
D591,079 S	4/2009	Singler et al.	D763,018 S	8/2016	Walter
			D763,605 S	8/2016	Bridger et al.
			D769,021 S	10/2016	Green et al.
			D770,203 S	11/2016	Thaler et al.
			D773,865 S	12/2016	DeLaGrange

(56)

References Cited

U.S. PATENT DOCUMENTS

D776,466	S	1/2017	Bonuccelli	
D777,478	S	1/2017	Krauss	
D777,490	S	1/2017	Stauss	
D785,978	S	5/2017	Brown et al.	
D785,980	S	5/2017	Brown et al.	
D785,982	S	5/2017	Brown et al.	
D819,377	S	6/2018	Brown et al.	
D820,619	S	6/2018	Brugger et al.	
D824,894	S	8/2018	Marasco et al.	
D830,745	S	10/2018	Pedersen et al.	
D834,357	S	11/2018	Massaud	
D836,956	S	1/2019	Tsuchiyama	
D845,042	S *	4/2019	Allen	D6/675
D851,428	S	6/2019	Brugger et al.	
D855,360	S	8/2019	Whitaker et al.	
D861,385	S *	10/2019	Gorman	D6/661
D861,400	S *	10/2019	Hawkins	D6/682.3
D877,546	S *	3/2020	Spielmann	D6/675
D887,185	S *	6/2020	Brugger	D6/675
D887,750	S *	6/2020	Edwards	D6/675.1
D906,026	S *	12/2020	Inouye	D6/675.1
D913,731	S *	3/2021	Brugger	D6/675
2005/0279033	A1	12/2005	Faber et al.	
2006/0243683	A1	11/2006	Onachilla et al.	
2007/0170823	A1	7/2007	Stannis et al.	
2012/0304513	A1	12/2012	Gorelick	
2013/0326922	A1	12/2013	Lyons et al.	
2014/0190089	A1	7/2014	Alarcon et al.	
2016/0061429	A1 *	3/2016	Waalkes	H01R 25/142 362/217.15
2016/0345752	A1	12/2016	Resch	
2018/0146799	A1	5/2018	Resch	
2019/0035004	A1	1/2019	Zhang	
2019/0223627	A1 *	7/2019	Standen	A47F 5/13

* cited by examiner

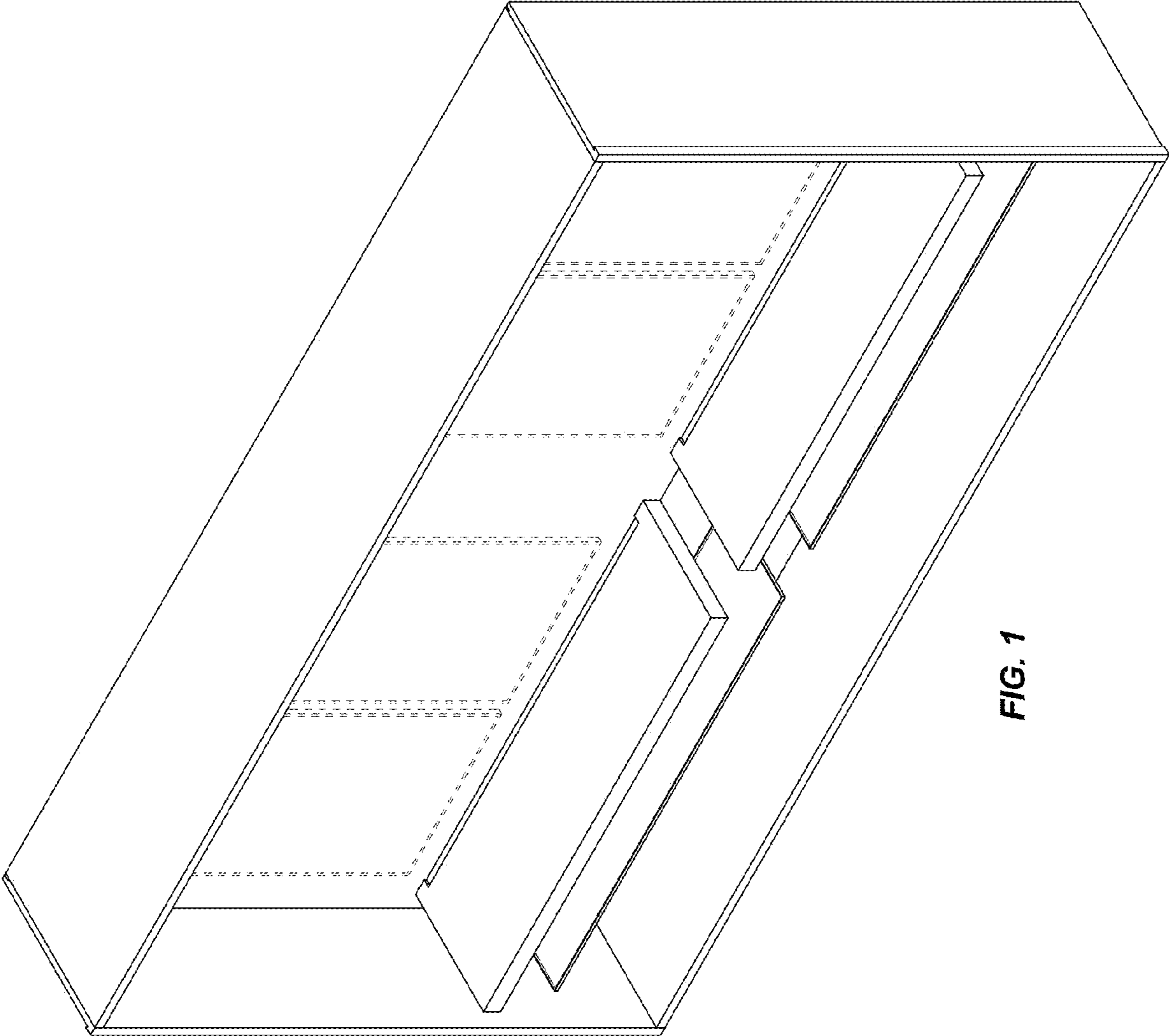


FIG. 1

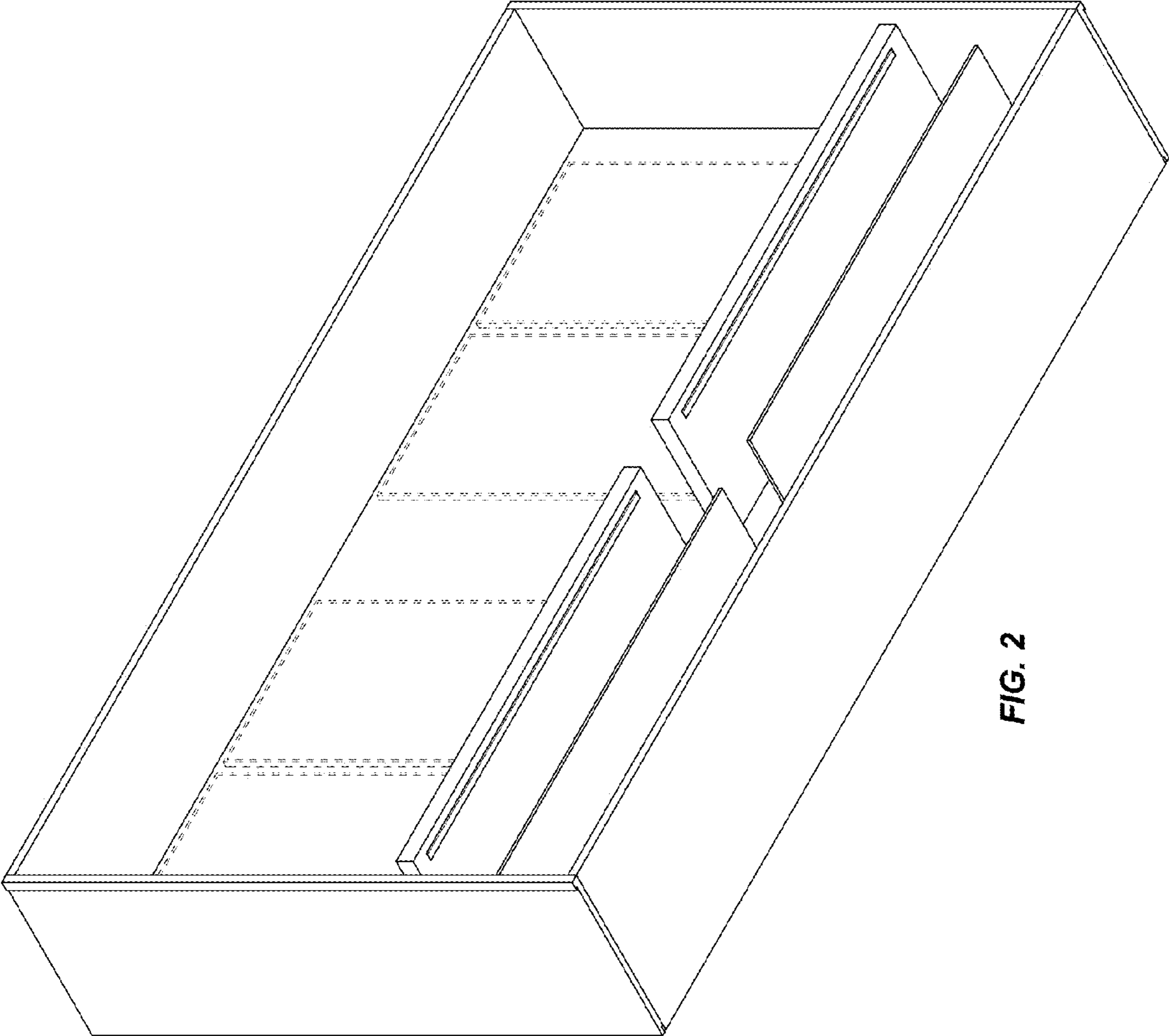


FIG. 2

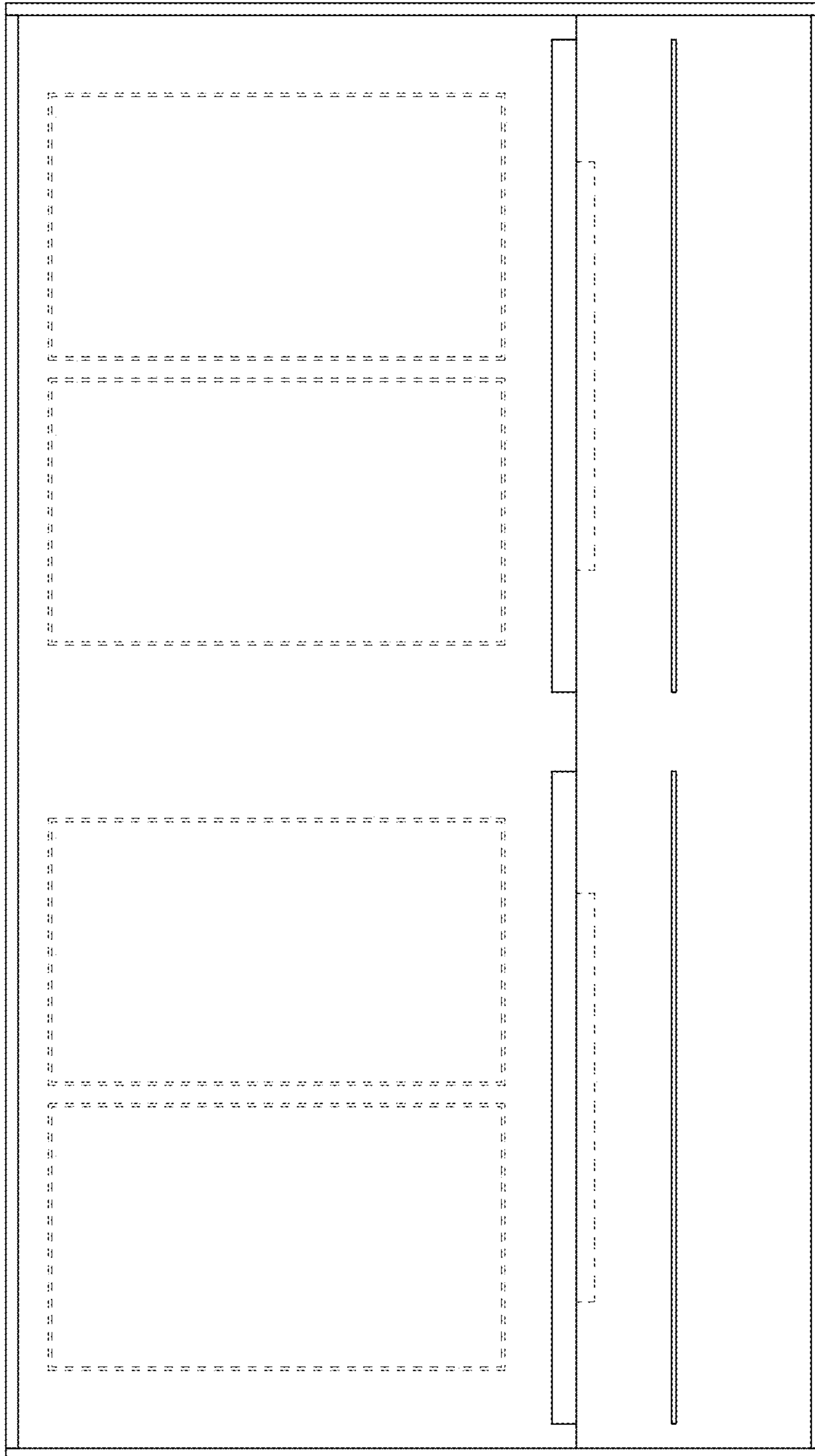


FIG. 3

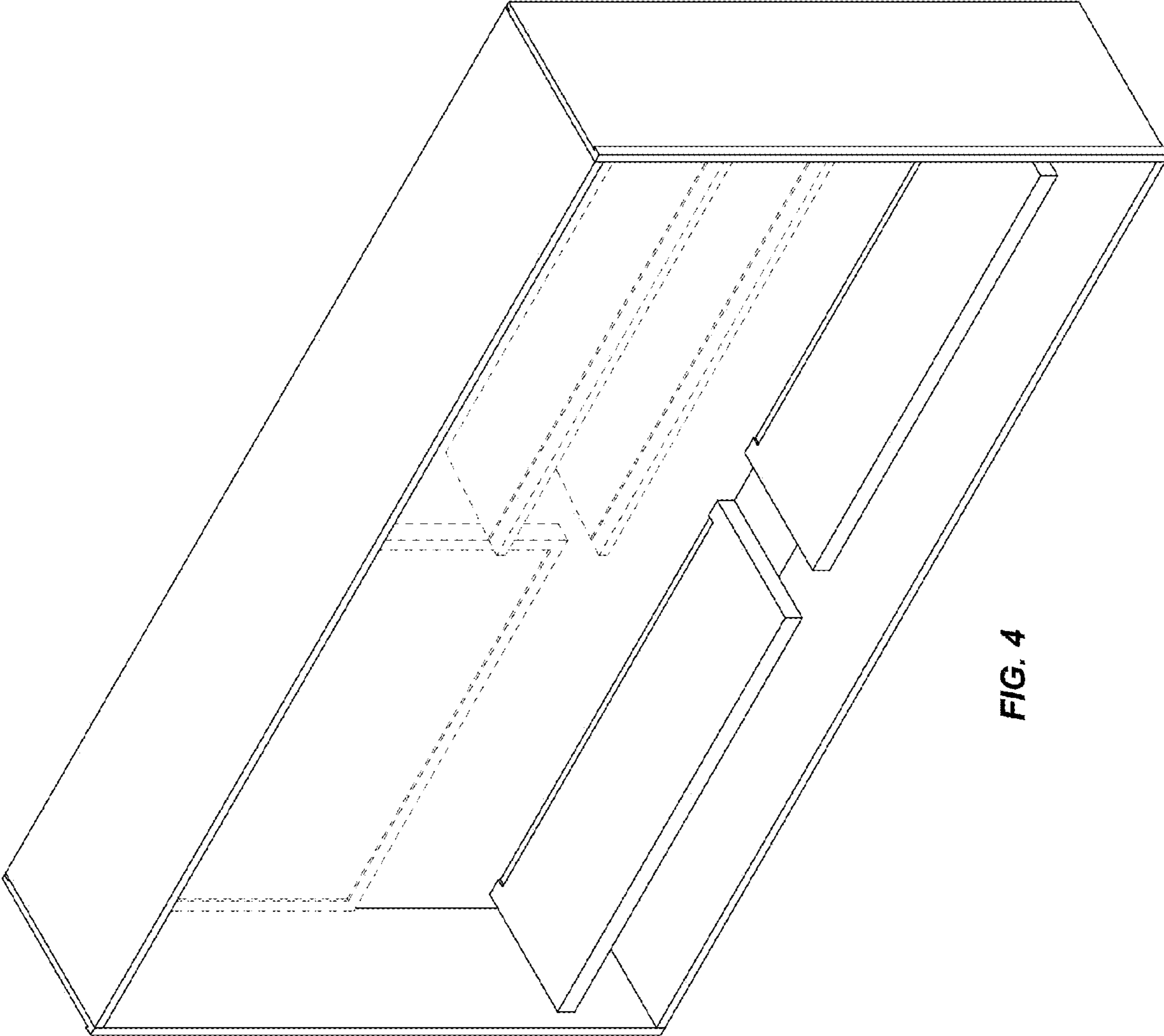


FIG. 4

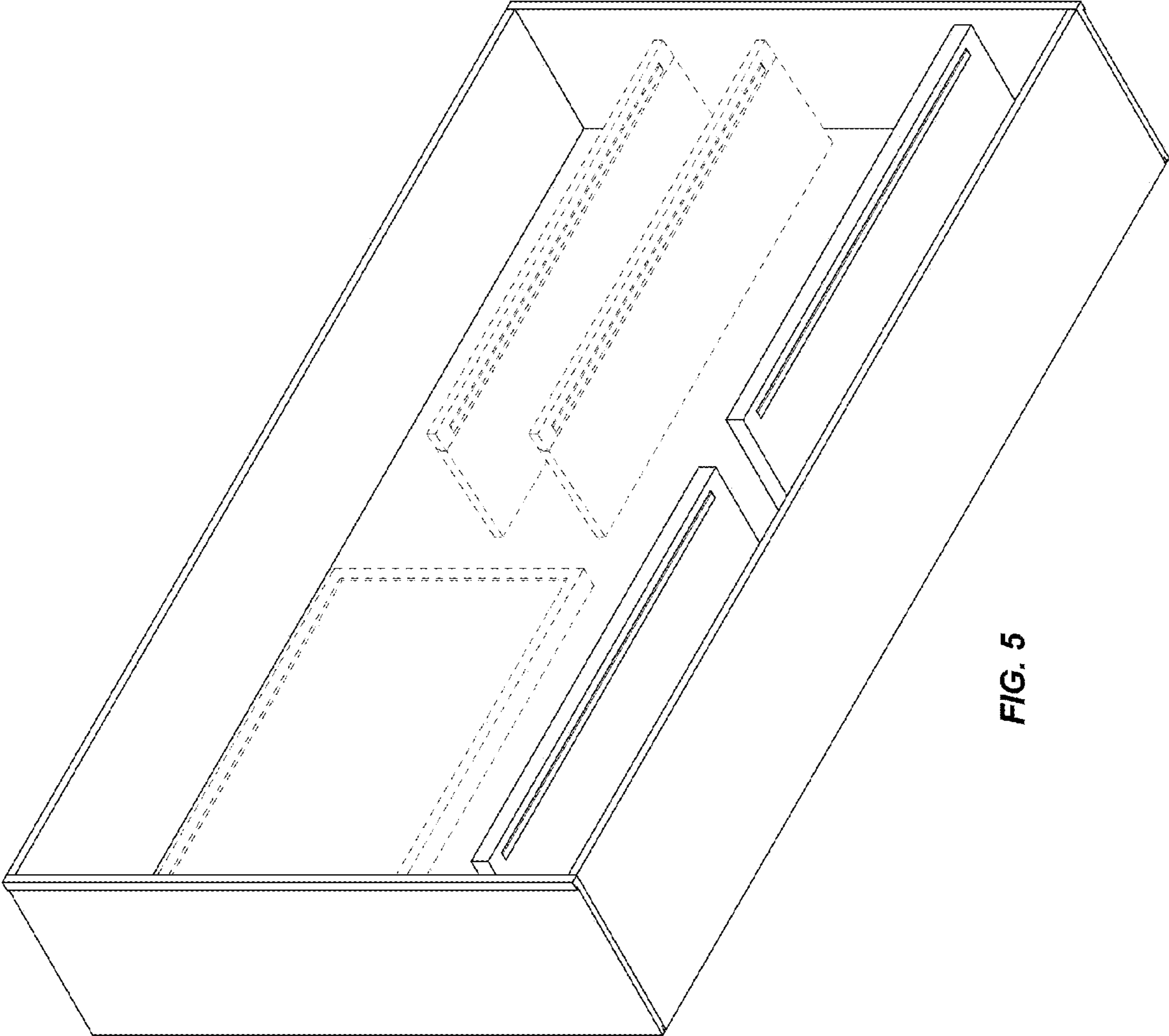


FIG. 5

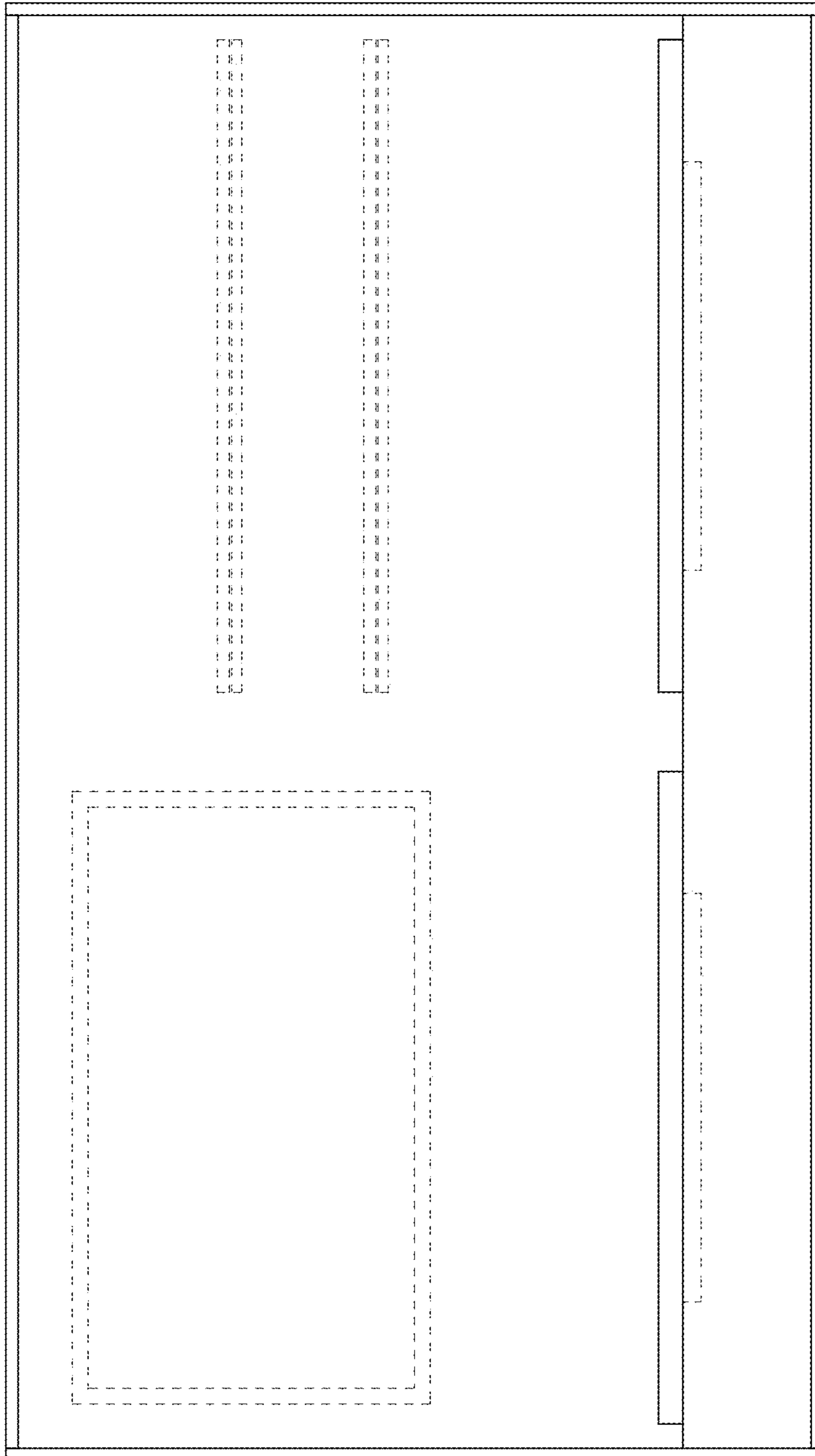


FIG. 6

UNITED STATES PATENT AND TRADEMARK OFFICE
CERTIFICATE OF CORRECTION

PATENT NO. : D937,613 S
APPLICATION NO. : 29/774967
DATED : December 7, 2021
INVENTOR(S) : Brugger et al.

Page 1 of 1

It is certified that error appears in the above-identified patent and that said Letters Patent is hereby corrected as shown below:

On the Title Page

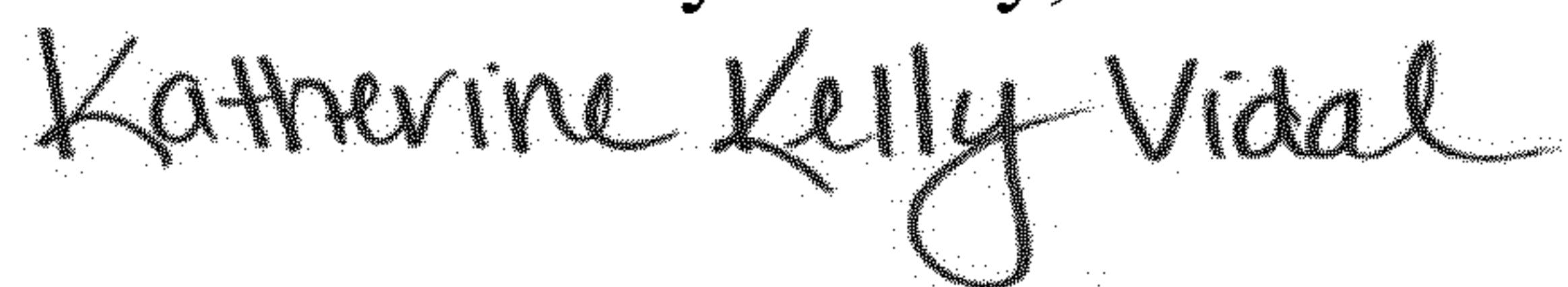
In the Description, replace:

“The broken lines in the figures show portions of the retail display or environment that form no part of the claimed design.”

With:

--The broken lines in the figures show portions of the retail display that form no part of the claimed design.--

Signed and Sealed this
Twelfth Day of July, 2022



Katherine Kelly Vidal
Director of the United States Patent and Trademark Office