

US00D937612S

(12) **United States Design Patent** (10) **Patent No.:** **US D937,612 S**
Brugger et al. (45) **Date of Patent:** **** *Dec. 7, 2021**

(54) **RETAIL FIXTURE**

(56)

References Cited

(71) Applicant: **Apple Inc.**, Cupertino, CA (US)

U.S. PATENT DOCUMENTS

(72) Inventors: **Alice Marlin Brugger**, San Francisco, CA (US); **Manuel Dejesus**, San Francisco, CA (US); **Joshua Robert Edwards**, Santa Cruz, CA (US); **Jean-Marc Gady**, Los Altos, CA (US); **Wesley Bryan Hamm**, San Francisco, CA (US); **Russell John Kaaihue Heirakuji**, Cupertino, CA (US); **Allison Inouye**, San Francisco, CA (US); **Moritz Wilsberg**, Rheinbreitbach (DE)

435,254 A	8/1890	Straughan	
455,280 A	6/1891	Emerson	
464,148 A	12/1891	Campbell	
D41,125 S	1/1911	Klee	
D144,844 S	5/1945	Dunham	
3,014,773 A	12/1961	Foote, Jr. et al.	
3,408,128 A	10/1968	Kump	
D212,886 S	12/1968	Gordon	
D218,325 S	8/1970	Sherman	
3,721,413 A	3/1973	Robinson	
3,740,881 A	6/1973	Finger	
D232,289 S	8/1974	Moretine	
4,116,509 A	9/1978	Smith	
D250,868 S	* 1/1979	Ornatek	D6/671.3
4,144,664 A	3/1979	De Korte	
4,193,650 A	3/1980	Gray et al.	
D256,197 S	8/1980	Kates	
D262,664 S	1/1982	Willits, Jr.	
D264,731 S	6/1982	Shuman	
D265,618 S	8/1982	Robertson et al.	
D274,203 S	6/1984	Evered	
D277,057 S	1/1985	Franklin	
D279,201 S	6/1985	Shuman	
D288,997 S	3/1987	Kraynak	
D290,204 S	6/1987	Bruget	
D291,512 S	8/1987	Everett	
D307,079 S	4/1990	Robertson	
D314,877 S	2/1991	Bush et al.	
D317,681 S	6/1991	Stewart et al.	
D321,100 S	10/1991	Dorrell	
D323,944 S	2/1992	Maas	
D324,701 S	3/1992	Capps	
D329,155 S	9/1992	Schremmer	
D335,963 S	6/1993	Tracey	
D342,846 S	1/1994	Stefanowicz	
5,316,156 A	5/1994	Land et al.	
D347,755 S	6/1994	Houston	
D351,863 S	10/1994	Sarkisian et al.	
5,369,553 A	11/1994	Trusiani	
D354,638 S	1/1995	Todd et al.	
D359,488 S	6/1995	Hui	
D362,236 S	9/1995	Dann et al.	
D365,947 S	1/1996	Howard	
D369,044 S	4/1996	Lechleiter et al.	
5,577,817 A	11/1996	Reynolds	
D377,012 S	12/1996	Oslund	
5,607,070 A	3/1997	Hellyer	
D379,377 S	5/1997	Rath	
D389,345 S	1/1998	Grosfillex	

(73) Assignee: **Apple Inc.**, Cupertino, CA (US)

(*) Notice: This patent is subject to a terminal disclaimer.

(**) Term: **15 Years**

(21) Appl. No.: **29/747,622**

(22) Filed: **Aug. 24, 2020**

Related U.S. Application Data

(63) Continuation of application No. 29/727,169, filed on Mar. 9, 2020, now Pat. No. Des. 893,923, which is a continuation of application No. 29/681,841, filed on Feb. 28, 2019, now Pat. No. Des. 877,548, which is a continuation of application No. 29/656,127, filed on Jul. 10, 2018, now Pat. No. Des. 867,035.

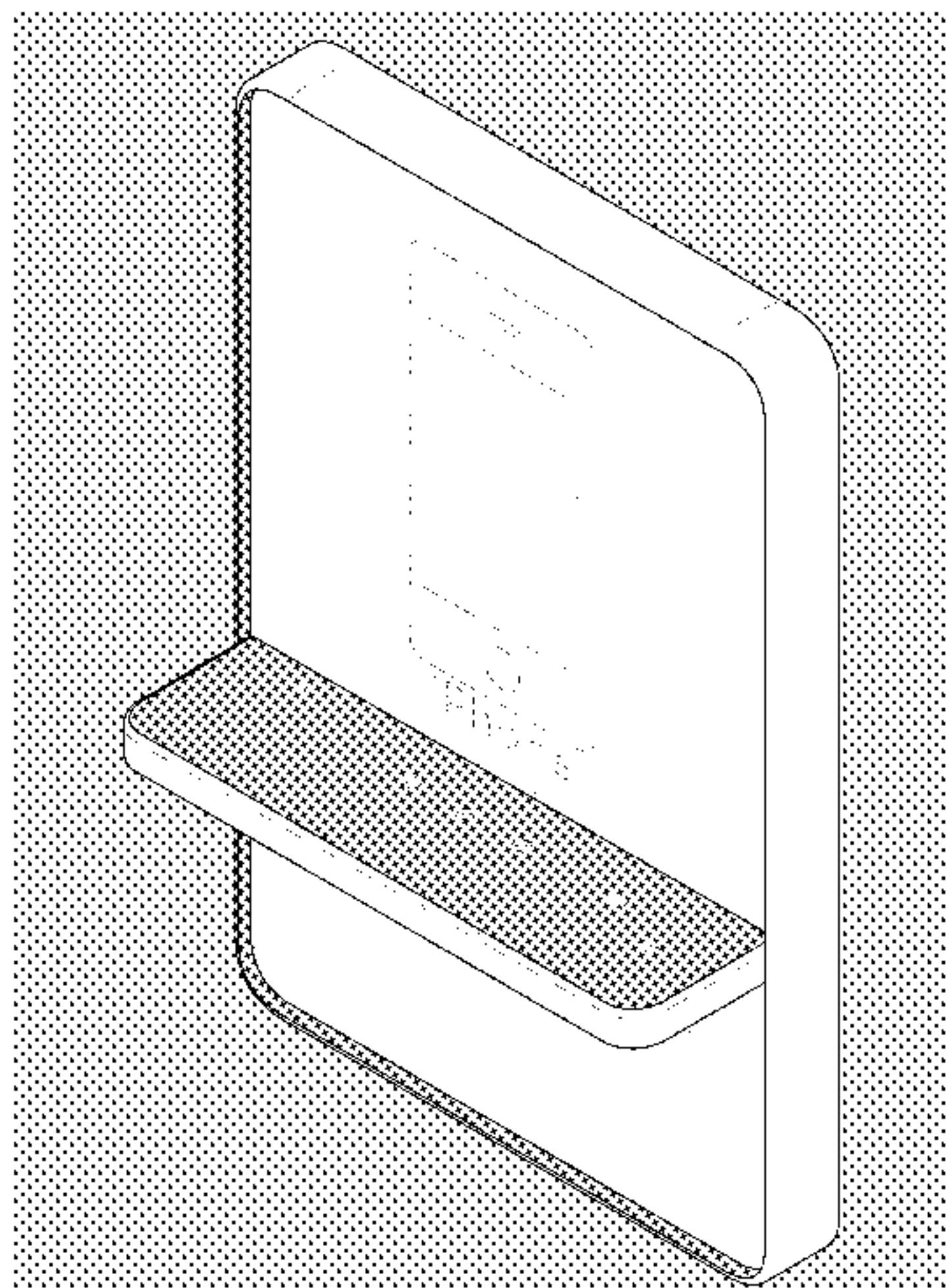
(51) **LOC (13) Cl.** **06-06**

(52) **U.S. Cl.**
USPC **D6/675**

(58) **Field of Classification Search**

USPC D6/672, 675, 675.1, 678, 678.1, 682, D6/682.3, 682.4, 683, 683.1
 CPC A47B 73/00; A47B 73/002; A47B 47/00; A47B 47/008; A47B 47/25; A47F 5/00; A47F 5/0062

See application file for complete search history.



US D937,612 S

D392,686 S	3/1998	Sarkisian et al.	D658,615 S	5/2012	Chiu
D395,677 S	6/1998	Gongora et al.	D660,361 S	5/2012	Carver, Jr.
D396,251 S	7/1998	Mortensen	D661,123 S	6/2012	Curbbun et al.
D397,562 S	9/1998	DePottay et al.	D661,124 S	6/2012	Curbbun et al.
D398,462 S	9/1998	Baluk et al.	D661,922 S	6/2012	Mitri
D398,653 S	9/1998	Hiraguchi et al.	8,228,668 B2	7/2012	Asamarai et al.
D400,737 S	11/1998	DePottay et al.	D671,535 S	11/2012	Terashima et al.
D408,383 S	4/1999	Carter et al.	D676,430 S	2/2013	Blaser
5,890,607 A	4/1999	Maglione	D678,696 S	3/2013	Hamm et al.
D410,036 S	5/1999	Washington	D678,969 S	3/2013	Oldknow et al.
D427,808 S	7/2000	Bedard	D679,521 S	4/2013	Hamm et al.
D434,451 S	11/2000	Grimshaw	D680,350 S	4/2013	Peake-Atkins et al.
D434,929 S	12/2000	Heiny et al.	D682,581 S	5/2013	Kikkert et al.
6,164,467 A	12/2000	DePottay et al.	D683,982 S	6/2013	Kikkert et al.
6,170,678 B1	1/2001	de la Fuente	D684,792 S	6/2013	Kikkert et al.
D438,256 S	2/2001	Timmermans et al.	D685,205 S	7/2013	Kikkert et al.
D438,403 S	3/2001	Greenburg	D688,494 S	8/2013	Hamm et al.
D439,445 S	3/2001	Riga et al.	D691,838 S	10/2013	Hinkle
D442,796 S	5/2001	Brozak, Jr.	D693,156 S	11/2013	Hamm et al.
D443,308 S	6/2001	Kovell	8,602,227 B1	12/2013	McDonald
D446,821 S	8/2001	Decaux	D700,901 S	3/2014	Giglio et al.
6,357,609 B1	3/2002	Van Noord et al.	D708,459 S	7/2014	Heirakuji et al.
D457,016 S	5/2002	Dudley	D709,952 S	7/2014	Logan et al.
D458,059 S	6/2002	Dudley	D713,658 S	9/2014	Tio et al.
D463,499 S	9/2002	Marcos	D717,085 S	11/2014	Trinh et al.
D465,529 S	11/2002	Hummell	D717,573 S	11/2014	Fishman et al.
D468,134 S	1/2003	Oikawa	D722,313 S	2/2015	Birgeoglu
D470,892 S	2/2003	Linko, Sr.	D722,794 S	2/2015	Luong
D478,582 S	8/2003	Becker et al.	D723,025 S	2/2015	Birgeoglu
D495,901 S	9/2004	Bosman	D723,026 S	2/2015	Birgeoglu
D497,485 S	10/2004	Resultan	D725,108 S	3/2015	Yeon
D501,284 S	1/2005	Mount	D725,947 S	4/2015	Tio et al.
D501,889 S	2/2005	Harris et al.	D727,995 S	4/2015	Vilcovsky
D509,543 S	9/2005	Hillstrom et al.	D728,281 S	5/2015	Heirakuji et al.
D515,846 S	2/2006	Reeves et al.	D728,283 S	5/2015	Weshler et al.
D521,275 S	5/2006	Dusenberry	D730,852 S	6/2015	Park et al.
D522,274 S	6/2006	Coval	D734,965 S	7/2015	Tio et al.
D538,068 S	3/2007	Newhouse et al.	D737,604 S	9/2015	Bridger et al.
D538,556 S	3/2007	Arias	D741,091 S	10/2015	Tio et al.
D543,561 S	5/2007	Fogarty et al.	D742,455 S	11/2015	Denby et al.
7,228,654 B2	6/2007	Stravitz	D742,870 S	11/2015	Berini
D554,907 S	11/2007	Edison et al.	D750,970 S	3/2016	Moreno
D554,908 S	11/2007	Edison et al.	D753,754 S	4/2016	Vilcovsky et al.
D559,577 S	1/2008	Quinn	D756,137 S	5/2016	Abelmann et al.
D559,581 S	1/2008	Knoettgen-Nap	D758,105 S	6/2016	Taraczky
D576,426 S	9/2008	Yuen-Schat et al.	D758,106 S	6/2016	Hamm et al.
D584,075 S	1/2009	Hung	D763,605 S	8/2016	Bridger et al.
D585,943 S	2/2009	Pymm et al.	D767,922 S	10/2016	Jussila
D590,630 S	4/2009	Singler et al.	D769,651 S	10/2016	Tio et al.
D591,078 S	4/2009	Singler et al.	D770,203 S	11/2016	Thaler et al.
D591,079 S	4/2009	Singler et al.	D778,087 S	2/2017	Mandon et al.
D591,531 S	5/2009	Sparkowski	D779,240 S	2/2017	Tio et al.
D591,974 S	5/2009	Singler et al.	D779,859 S	2/2017	Richardson et al.
D591,979 S	5/2009	Singler et al.	D785,975 S	5/2017	Thaler et al.
D592,422 S	5/2009	Rheault	D785,978 S	5/2017	Brown et al.
D593,775 S	6/2009	Singler et al.	D790,260 S	6/2017	Tio et al.
D597,340 S	8/2009	Helgesen et al.	D795,751 S	8/2017	Roth et al.
D607,669 S	1/2010	Trinh et al.	D796,234 S	9/2017	Thaler et al.
D607,670 S	1/2010	Trinh et al.	D806,447 S	1/2018	Burton et al.
D608,565 S	1/2010	Mori	D806,448 S	1/2018	Burton et al.
D610,832 S	3/2010	Rheault	D807,086 S	1/2018	Tio et al.
D613,344 S	4/2010	Hradisky	D813,832 S	3/2018	Kim et al.
D632,903 S	2/2011	Paul	D815,864 S	4/2018	Burton et al.
D636,441 S	4/2011	Potts	D820,619 S	6/2018	Brugger et al.
D637,421 S	5/2011	Theisen et al.	D821,116 S	6/2018	Hamm et al.
D637,422 S	5/2011	Theisen et al.	D821,117 S	6/2018	Gorman et al.
D639,086 S	6/2011	Curbbun et al.	D824,702 S	8/2018	Tio et al.
D641,989 S	7/2011	Giroux et al.	D824,894 S	8/2018	Marasco et al.
D641,992 S	7/2011	Giroux et al.	D842,628 S	3/2019	Siminoff et al.
D642,360 S	8/2011	West	D852,274 S	6/2019	Lim et al.
D642,390 S	8/2011	West	D867,035 S	11/2019	Brugger et al.
D642,824 S	8/2011	Theisen et al.	D867,036 S	11/2019	Brugger et al.
D644,039 S	8/2011	Naples et al.	D877,546 S *	3/2020	Spielmann D6/675
D646,503 S	10/2011	Fiori	D877,548 S	3/2020	Brugger et al.
D648,783 S	11/2011	Mathea	D885,805 S	6/2020	Brugger et al.
D649,192 S	11/2011	Beukema et al.	D887,185 S	6/2020	Brugger et al.
D653,475 S	2/2012	Thompson	D893,923 S	8/2020	Brugger et al.
D655,947 S	3/2012	Doane	2005/0279033 A1	12/2005	Faber et al.
D657,978 S	4/2012	Hamm et al.	2007/0170823 A1	7/2007	Stannis et al.

2014/0306584 A1 10/2014 DeMars
 2016/0217718 A1 7/2016 Silver
 2017/0127832 A1 5/2017 Klacking
 2018/0092470 A1 4/2018 Johnson et al.

FOREIGN PATENT DOCUMENTS

EM 002886234-0011 2/2016
 EM 002992065-0002 2/2016
 KR 30-0634368 3/2012
 WO WO DM-082406 10/2013

OTHER PUBLICATIONS

Japanese Patent Office document HB23000547, Nachrichten, Feb. 2011 (2 Pages).
 Japanese Patent Office document HC14036518 (2 Pages).

* cited by examiner

Primary Examiner — Kelley A Donnelly
 (74) *Attorney, Agent, or Firm* — Sterne, Kessler,
 Goldstein & Fox P.L.L.C.

(57) **CLAIM**

The ornamental design for a retail fixture, as shown and described.

DESCRIPTION

The file of this patent contains at least one drawing/photograph executed in color. Copies of this patent with color drawing(s)/photograph(s) will be provided by the Office upon request and payment of the necessary fee.

FIG. 1 is a top front perspective view of a retail fixture showing the claimed design;

FIG. 2 is a front view thereof;

FIG. 3 is a rear view thereof;

FIG. 4 is a left side view thereof;

FIG. 5 is a right side view thereof;

FIG. 6 is a top view thereof; and,

FIG. 7 is a top view thereof.

The broken lines in the figures show portions of the retail fixture that form no part of the claimed design.

The figures are illustrated to show color. The colored portions and the white claimed portions of the retail fixture have an appearance as shown. The appearance of the white unclaimed portions of the retail fixture forms no part of the claimed design.

The gray background in the figures is used to better illustrate the colored appearance of the retail fixture. The gray background itself forms no part of the claimed design.

1 Claim, 5 Drawing Sheets
(2 of 5 Drawing Sheet(s) Filed in Color)

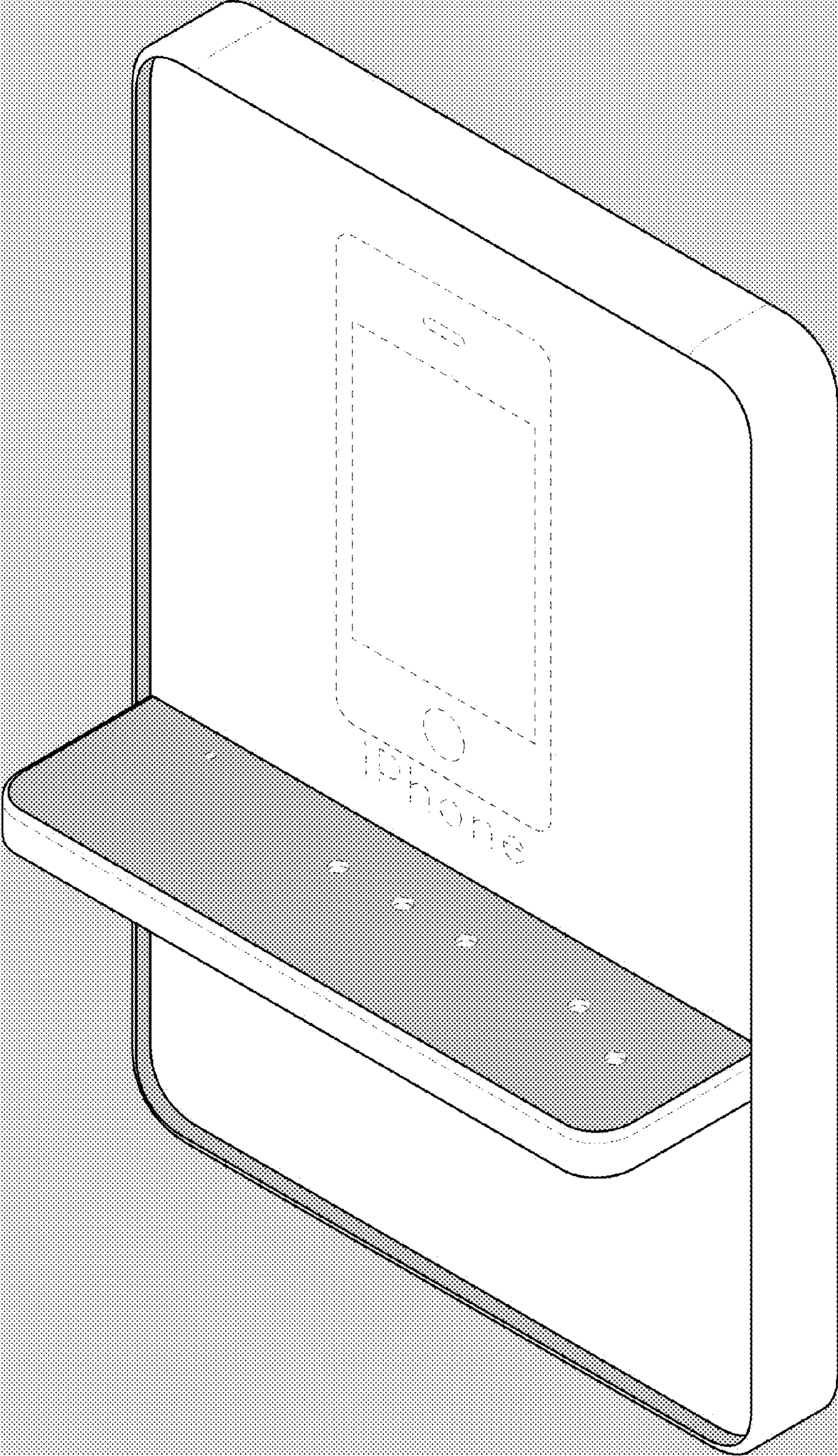


FIG. 1

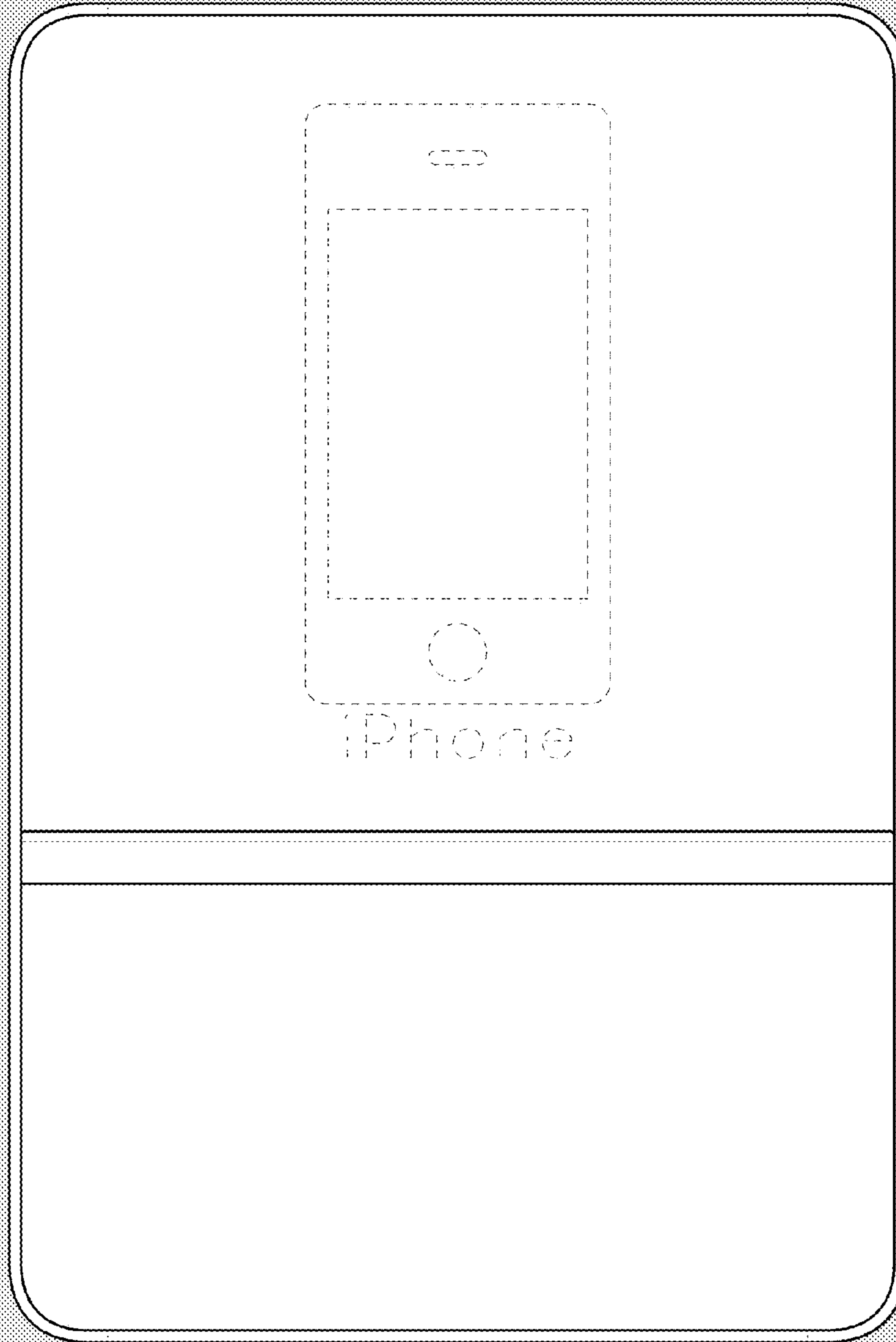


FIG. 2

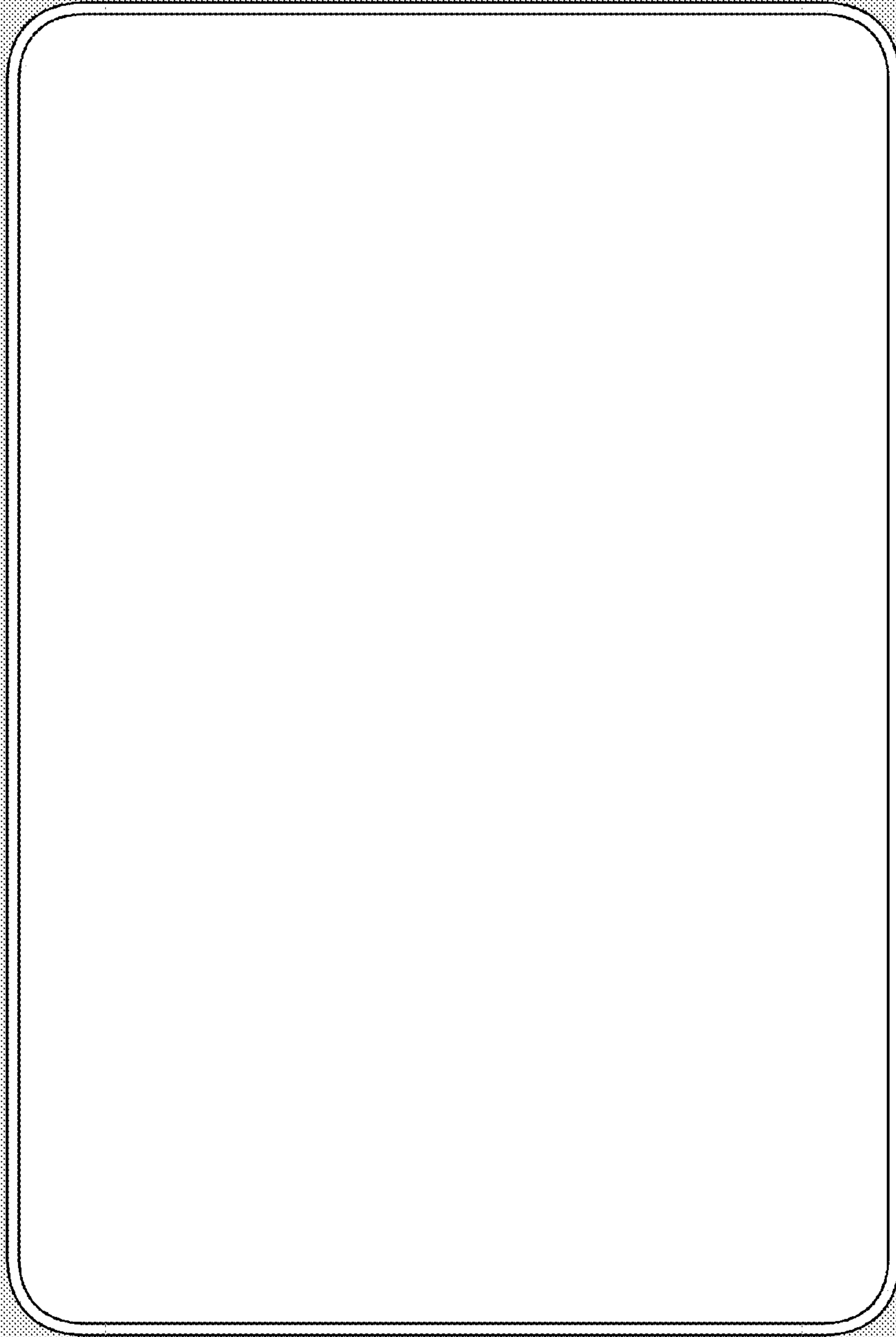


FIG. 3

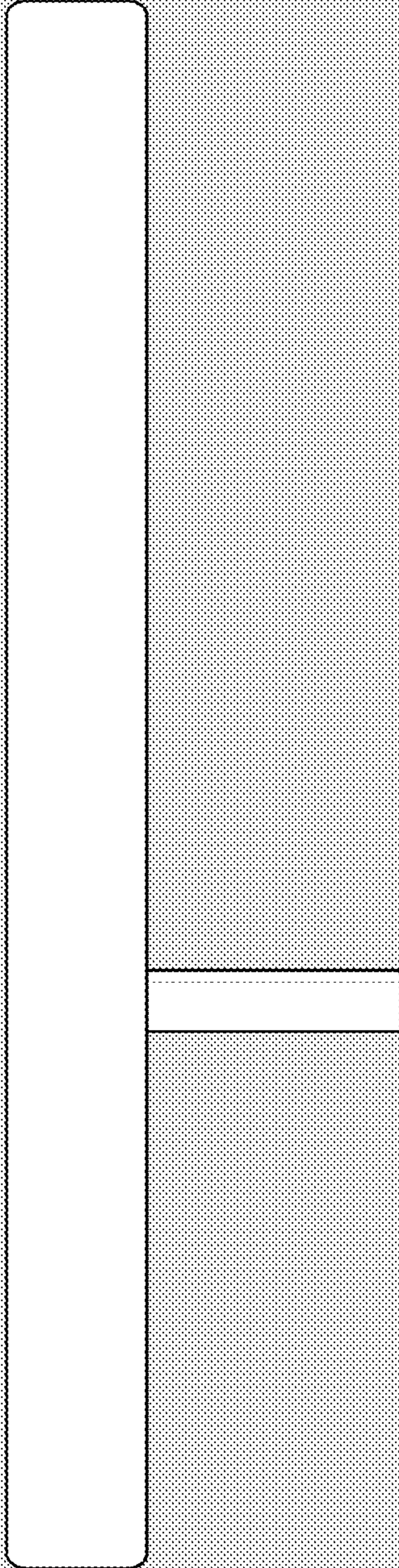


FIG. 4

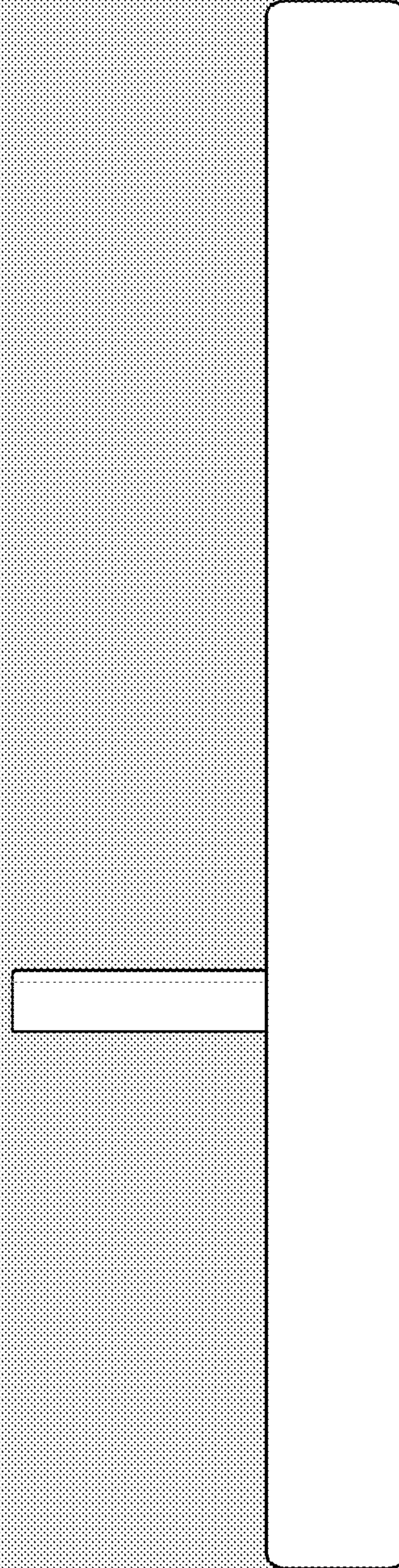


FIG. 5

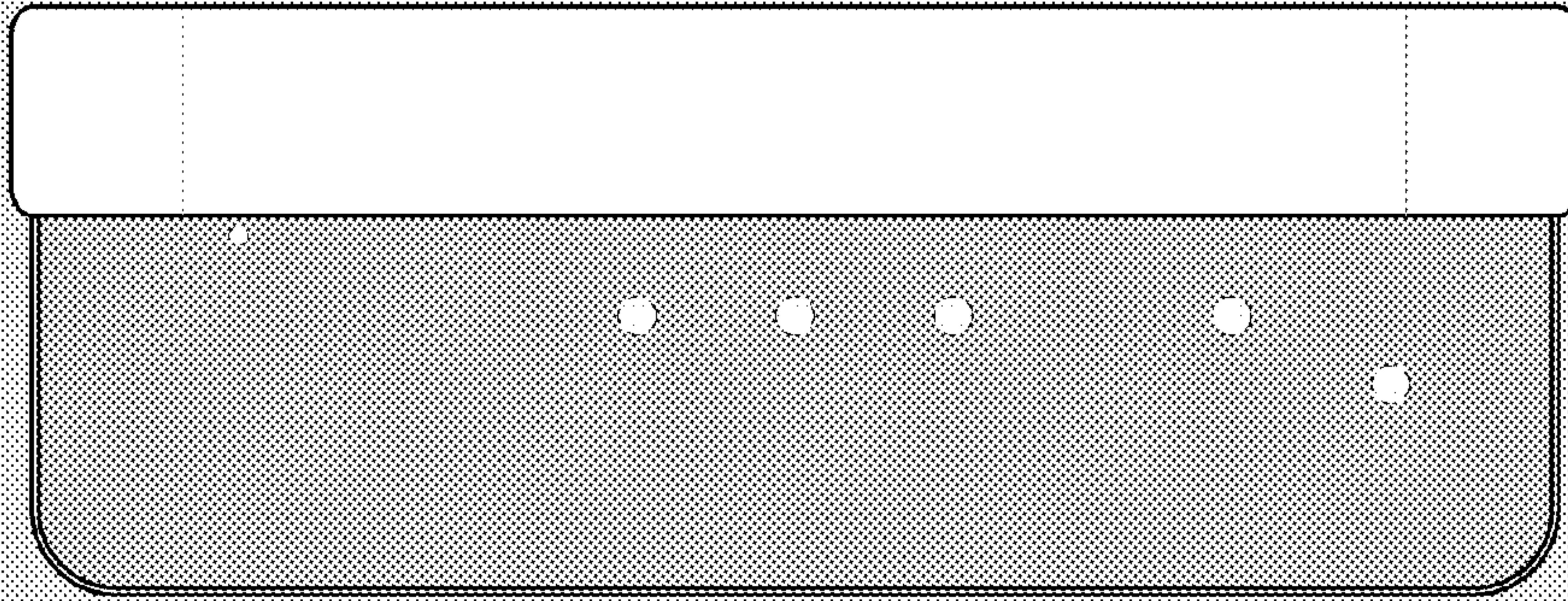


FIG. 6

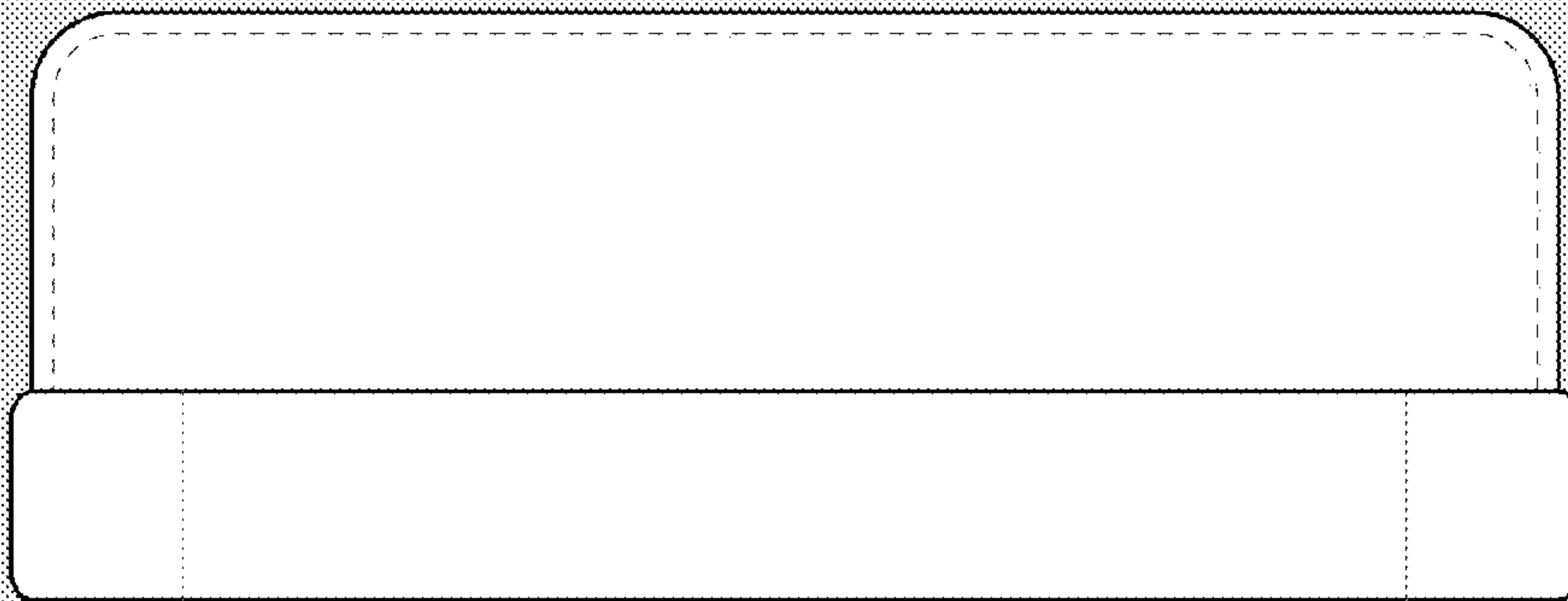


FIG. 7