



US00D937611S

(12) **United States Design Patent** (10) **Patent No.:** **US D937,611 S**
Fink et al. (45) **Date of Patent:** **** Dec. 7, 2021**

(54) **WINDOW GUARD FOR COSMETIC PRODUCTS**
(71) Applicant: **WALGREEN CO.**, Deerfield, IL (US)
(72) Inventors: **Scott Fink**, Chicago, IL (US); **Nick Farinola**, Coppell, TX (US)
(73) Assignee: **WALGREEN CO.**, Deerfield, IL (US)
(**) Term: **15 Years**
(21) Appl. No.: **29/715,129**

(22) Filed: **Nov. 27, 2019**
(51) **LOC (13) Cl.** **20-02**
(52) **U.S. Cl.**
USPC **D6/672**
(58) **Field of Classification Search**
USPC D6/672, 673, 675, 675.1, 675.2, 675.3, D6/675.4, 675.5
CPC A47F 3/004; A47F 3/06; A47F 5/00; A47F 5/100043; A47F 5/103; A47F 5/0025; A47F 5/0062; A47F 5/0068; A47F 2005/0075; A47F 7/00; A47F 1/04; A47F 1/126; G09F 15/00; G09F 15/0068; A47B 43/00
See application file for complete search history.

(56) **References Cited**
U.S. PATENT DOCUMENTS
7,150,365 B2 12/2006 Hardy et al.
7,299,934 B2 11/2007 Hardy et al.
7,451,881 B2 11/2008 Hardy et al.
7,621,409 B2 11/2009 Hardy et al.
7,661,545 B2 2/2010 Hardy et al.
8,047,385 B2 11/2011 Hardy
8,113,601 B2 2/2012 Hardy

8,136,682 B2 3/2012 Hardy
8,210,363 B2 7/2012 Hardy
8,235,227 B2 8/2012 Hardy
9,265,358 B2 * 2/2016 Hardy A47F 7/28
9,687,085 B2 6/2017 Hardy
D825,226 S * 8/2018 Zobel D6/672
D874,197 S * 2/2020 Turner D6/705
D914,405 S * 3/2021 Denby D6/672

* cited by examiner

Primary Examiner — Abraham Bahta
(74) *Attorney, Agent, or Firm* — Marshall, Gerstein & Borun LLP; Randall G. Rueth

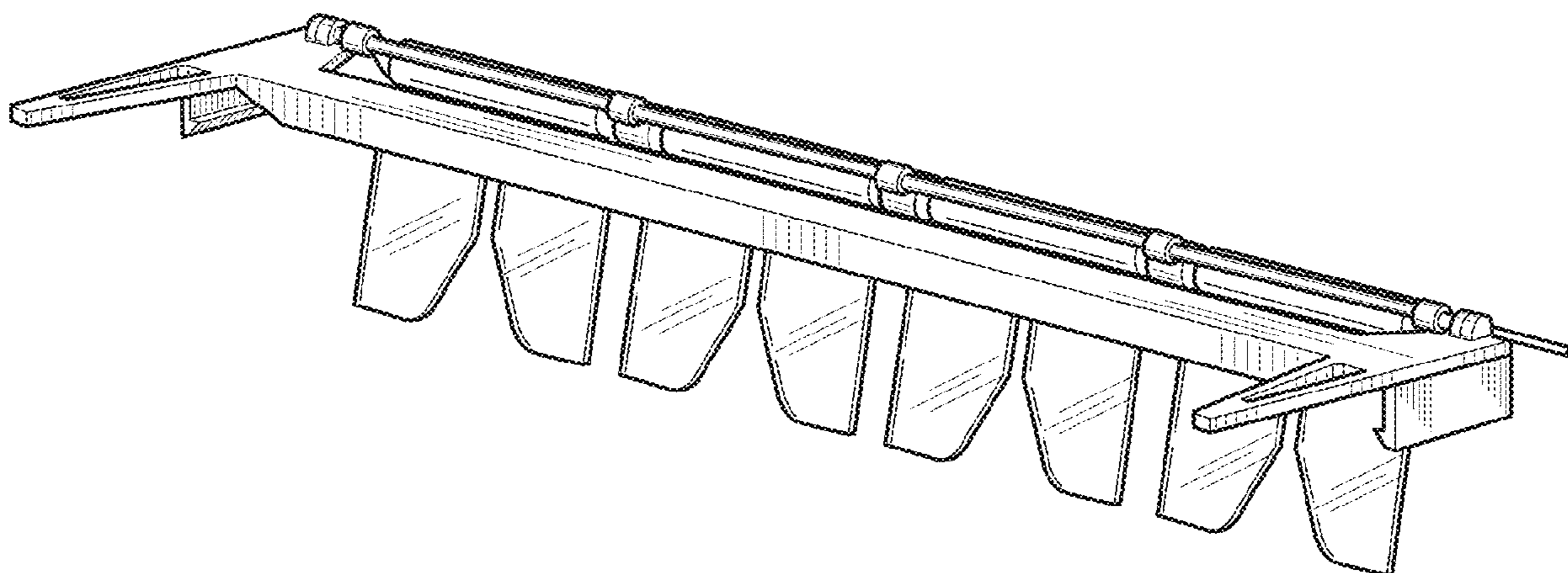
(57) **CLAIM**

The ornamental design for a window guard for cosmetic products, as shown and described.

DESCRIPTION

FIG. 1 is a front perspective view of a window guard for cosmetic products of the present invention;
FIG. 2 is a front elevation view of the invention illustrated in FIG. 1;
FIG. 3 is a rear elevation view of the invention illustrated in FIG. 1;
FIG. 4 is a top plan view of the invention illustrated in FIG. 1;
FIG. 5 is a bottom plan view of the invention illustrated in FIG. 1;
FIG. 6 is a right side view of the invention illustrated in FIG. 1; and,
FIG. 7 is a left side view of the invention illustrated in FIG. 1.
Any broken lines in the drawings illustrate environment, or portions of the window guard for cosmetic products and form no part of the claimed design.

1 Claim, 4 Drawing Sheets



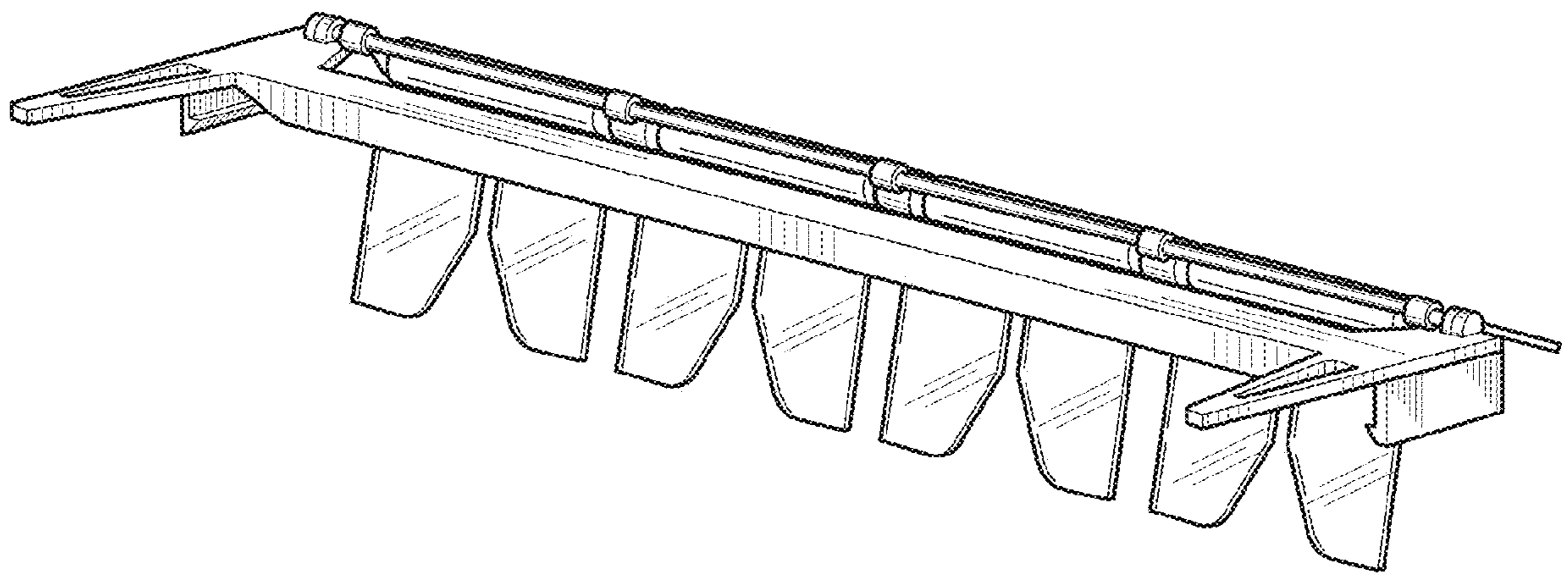


FIG. 1

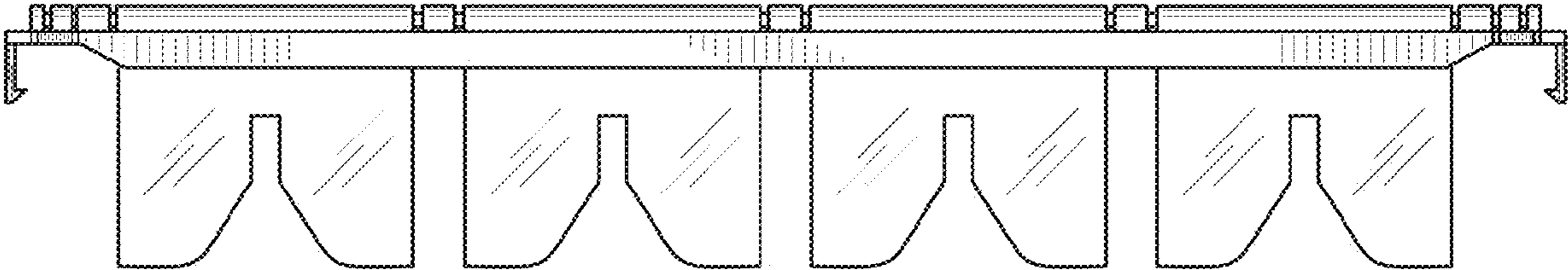


FIG. 2

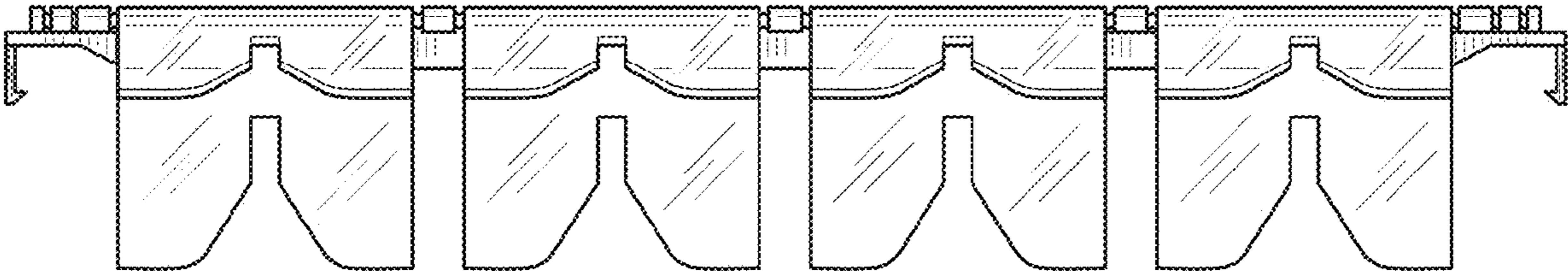


FIG. 3

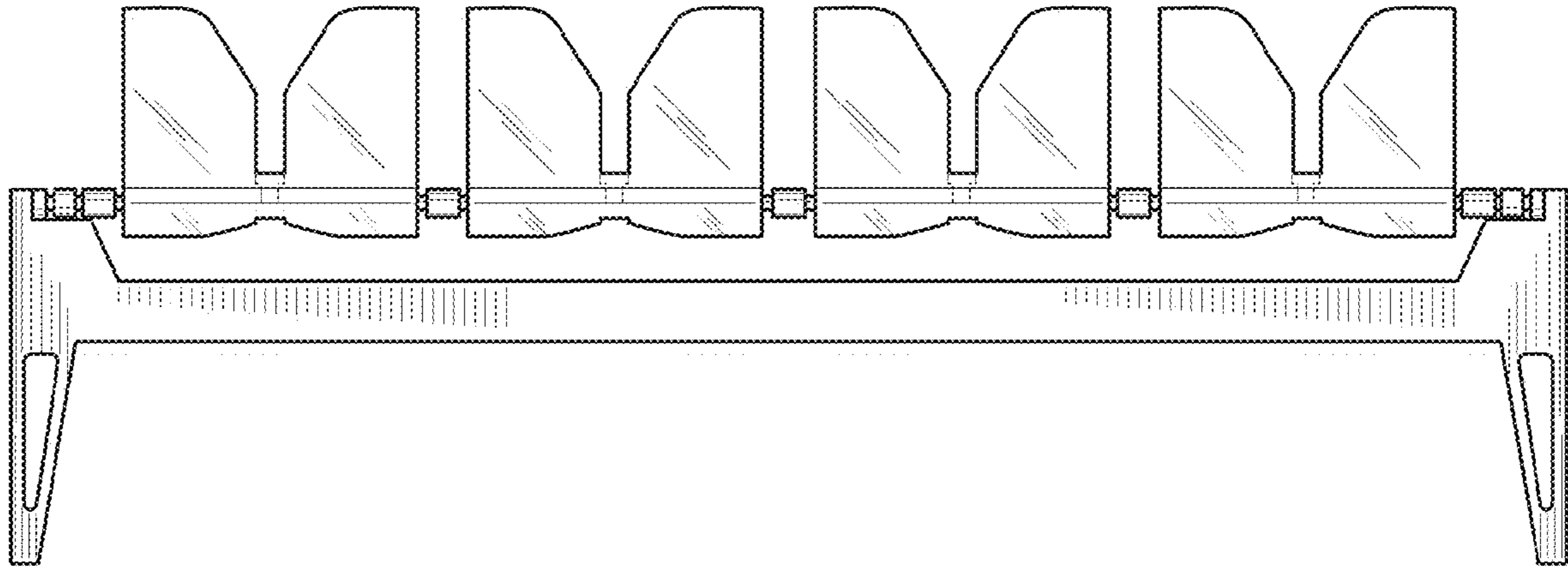


FIG. 4

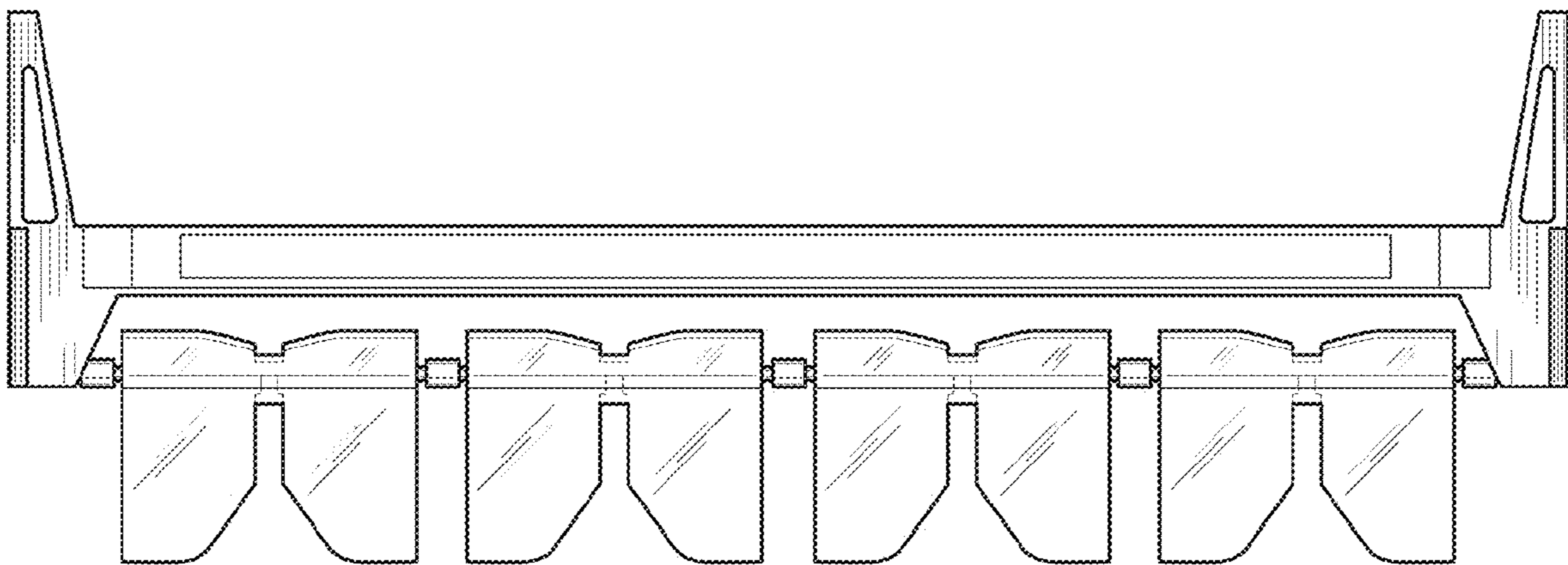


FIG. 5

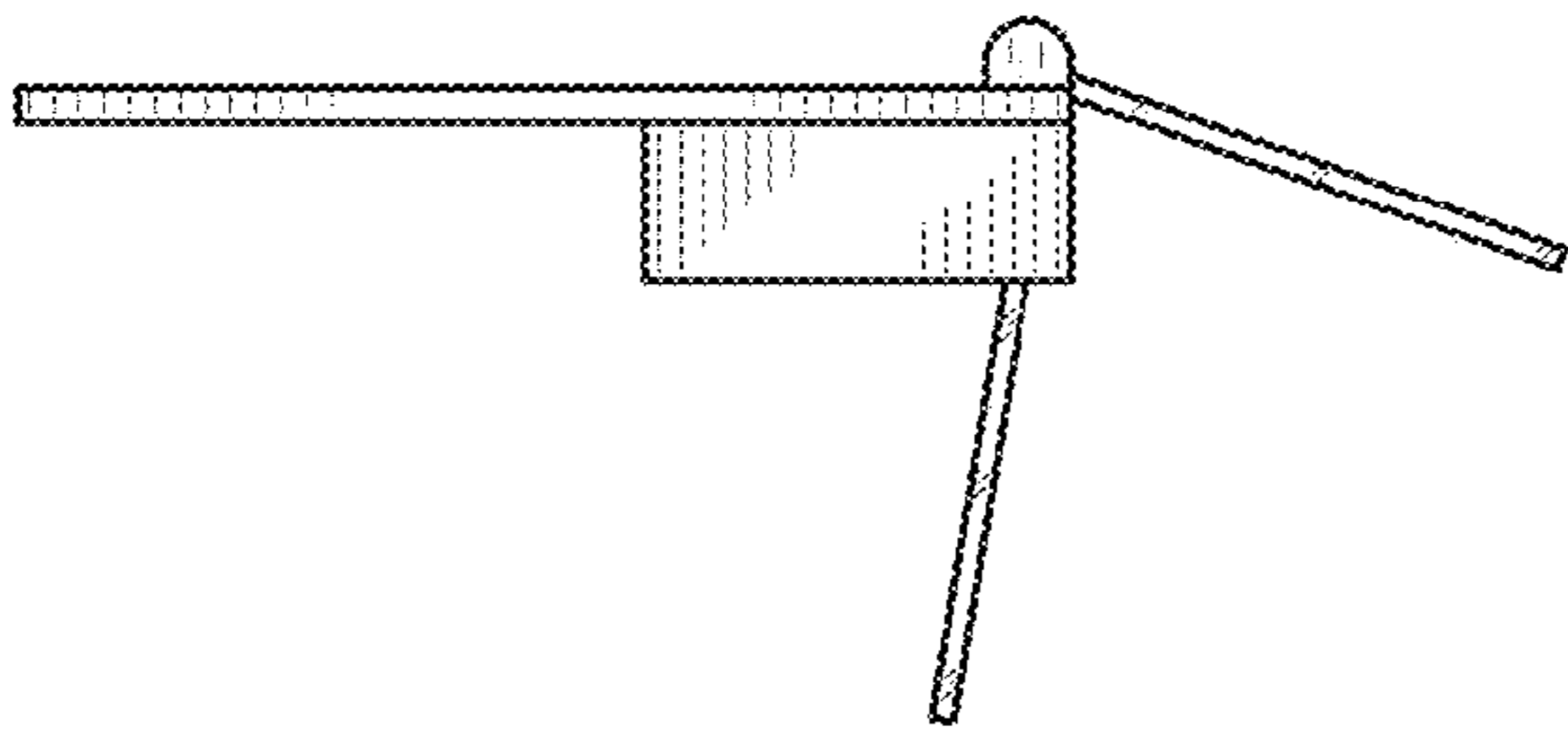


FIG. 6

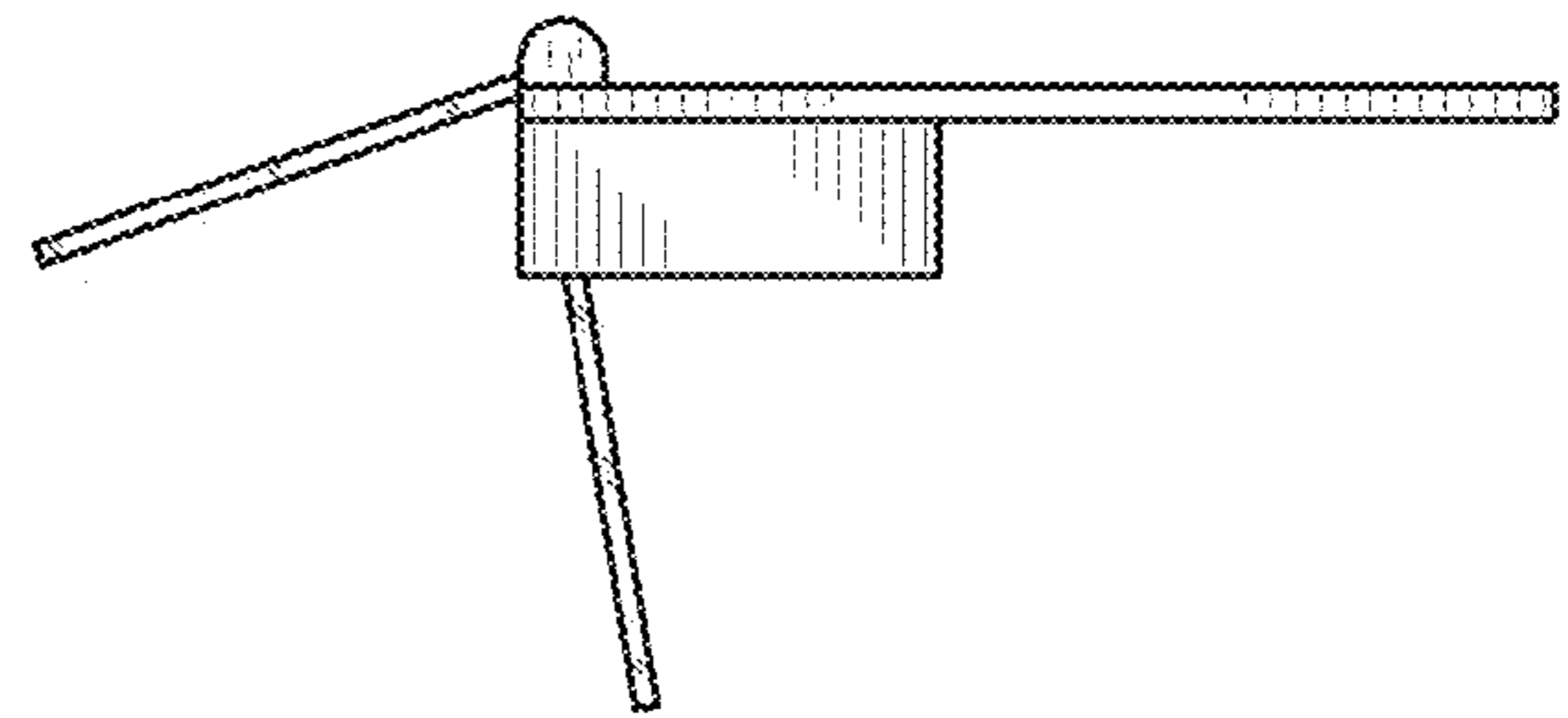


FIG. 7