



US00D937609S

(12) **United States Design Patent**
Ramundo

(10) **Patent No.:** **US D937,609 S**

(45) **Date of Patent:** **** Dec. 7, 2021**

(54) **VANITY TABLE**

(71) Applicant: **Devon&Devon S.p.A.**, Sesto Fiorentino (IT)

(72) Inventor: **Sara Ramundo**, Sesto Fiorentino (IT)

(73) Assignee: **DEVON & DEVON S.P.A.**, Scandicci (IT)

(**) Term: **15 Years**

(21) Appl. No.: **29/738,253**

(22) Filed: **Jun. 16, 2020**

(30) **Foreign Application Priority Data**

Dec. 18, 2019 (EM) 007425335

(51) **LOC (13) Cl.** **06-04**

(52) **U.S. Cl.**
USPC **D6/664.1**

(58) **Field of Classification Search**
USPC D6/407, 657, 661, 663, 664, 664.1,
D6/668.2, 671, 671.1, 671.4, 675, 675.1,
D6/675.5, 683.1, 691.1, 691.8, 691.9,
D6/702, 703, 309, 606, 660, 703.3;
D14/168, 184; D15/85; D8/310;
D23/342, 284, 285, 286, 300, 293.1;
D13/184; D5/59

CPC ... A47B 47/024; A47B 87/008; A47B 87/002;
A47B 88/48; A47B 88/90; A47B
2210/19; A47B 47/04; A47B 67/04; A47B
87/00; A47B 88/00; A47B 88/75; A47F
3/0413; A47F 5/116; A47F 5/0018; A47F
9/00; A47F 7/02; Y10T 428/24694; F25D
21/14; F25D 23/069; F25D 2400/10;
E05B 65/463

See application file for complete search history.

(56) **References Cited**

U.S. PATENT DOCUMENTS

D74,937 S *	4/1928	Maier	D6/664.1
D101,782 S *	11/1936	Krick	D6/664.1
D106,297 S *	10/1937	Krick	D6/664.1
D118,943 S *	2/1940	Krick	D6/664.1
D122,164 S *	8/1940	Immermann	D6/651
D163,353 S *	5/1951	Belanger	D6/664.1
D166,612 S *	4/1952	Lazarus	D6/664.1
D196,242 S *	9/1963	Betts, III	D6/664.1
D242,317 S *	11/1976	Hofmann	D6/642
D303,593 S *	9/1989	Keller	D6/664.1
D487,200 S *	3/2004	Wanek	D6/664.1
D546,503 S *	7/2007	Kreiss	D6/653
D577,225 S *	9/2008	Greiner	D6/664.1
D798,952 S *	10/2017	Liu	D19/78
D860,688 S *	9/2019	Schmitt	D6/664.1
D868,506 S *	12/2019	Song	D6/664.1
D891,153 S *	7/2020	Sumlin	D6/664.1
D891,824 S *	8/2020	Sumlin	D6/664.1
D891,826 S *	8/2020	Sumlin	D6/668.2
D899,824 S *	10/2020	Lok	D6/668
D907,408 S *	1/2021	Choi	D6/661
D929,777 S *	9/2021	Sumlin	D6/664.1

* cited by examiner

Primary Examiner — Kevin K Rudzinski

Assistant Examiner — Paul D Bohannon

(74) *Attorney, Agent, or Firm* — Lucas & Mercanti, LLP

(57) **CLAIM**

The ornamental design for a vanity table, as shown and described.

DESCRIPTION

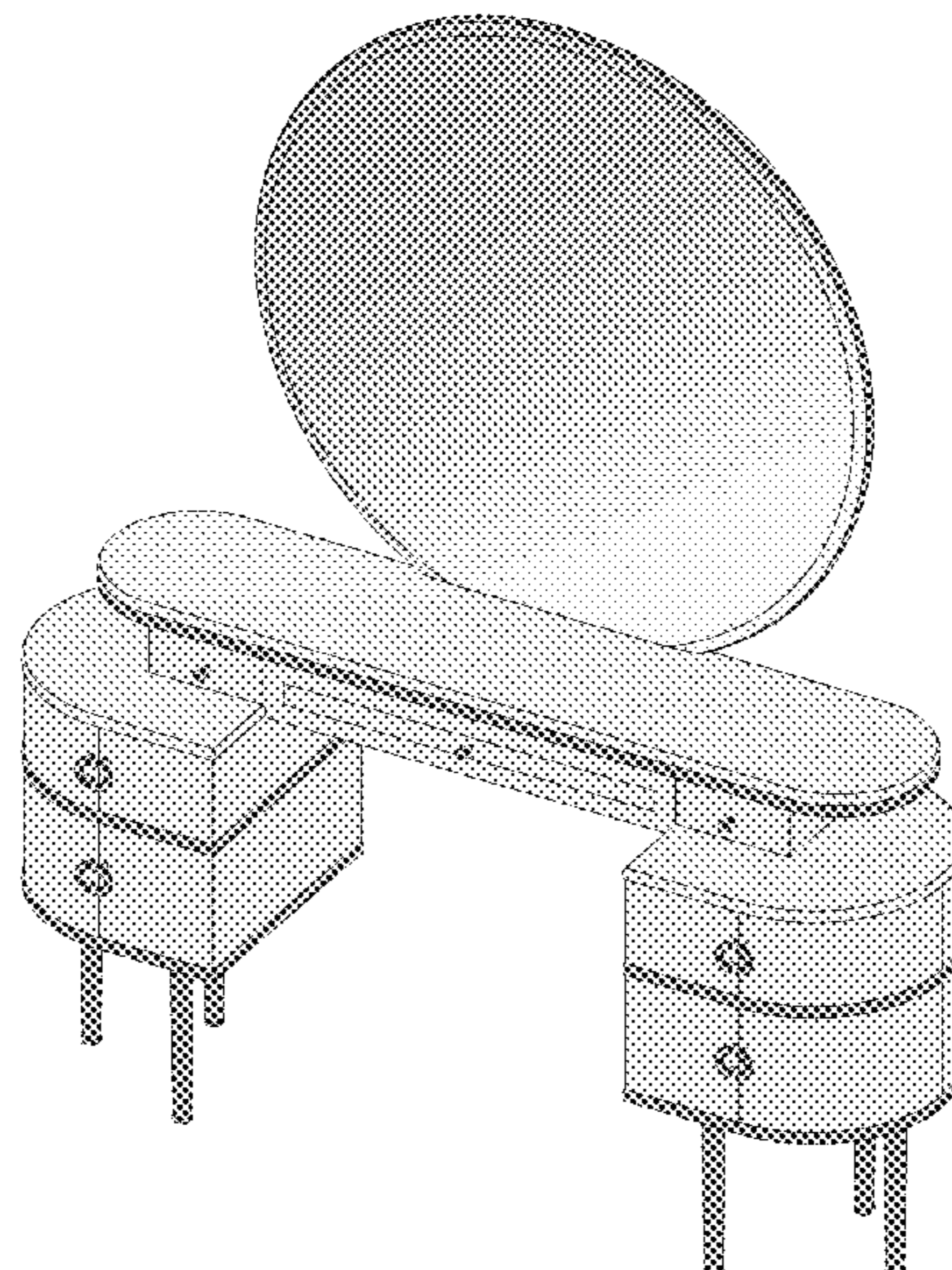
FIG. 1 is a perspective view of the vanity table according to the design;

FIG. 2 is a front view thereof;

FIG. 3 is a side view thereof, the opposite side being the mirror image; and,

FIG. 4 is a top view thereof.

1 Claim, 4 Drawing Sheets



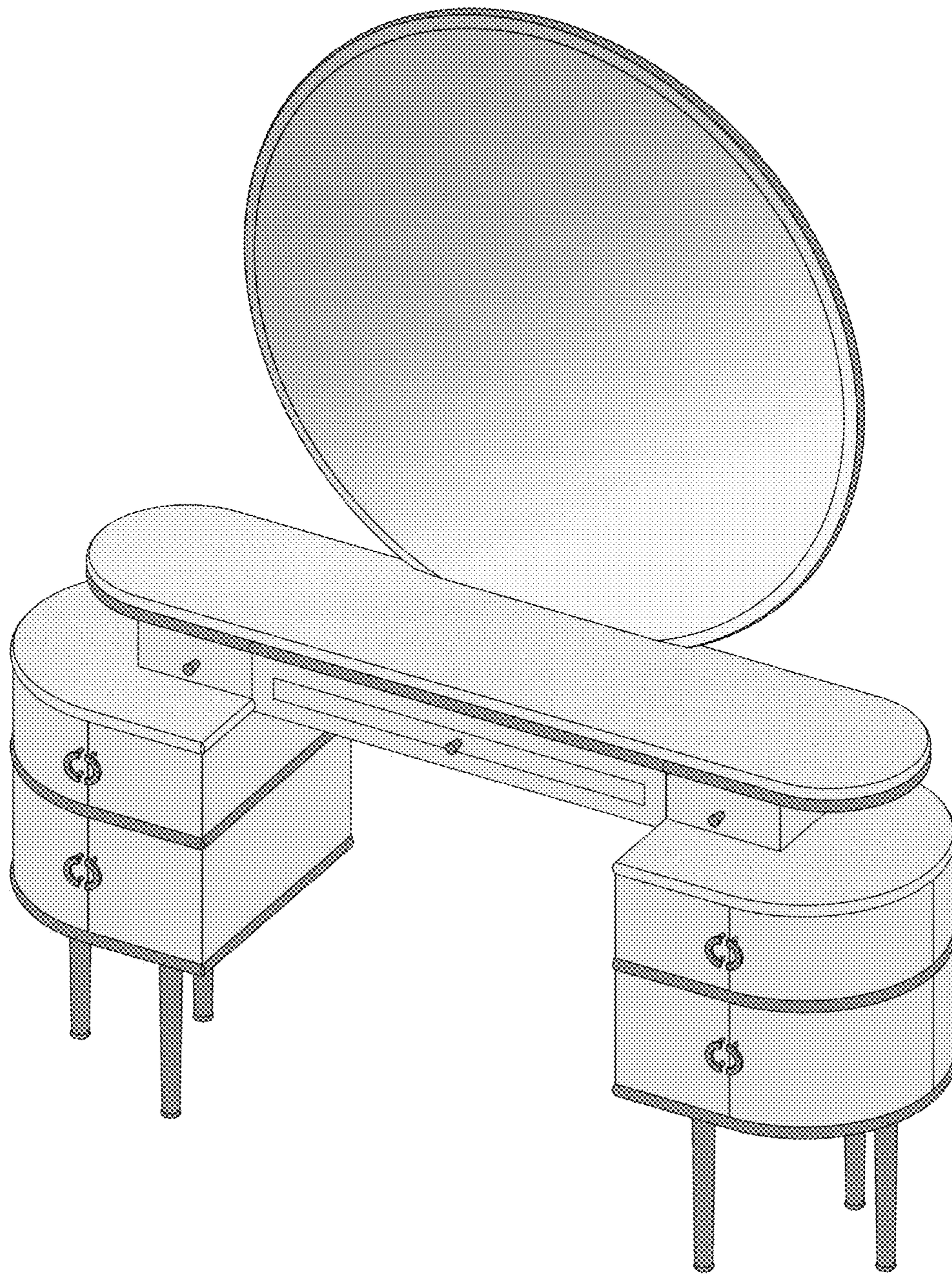


FIG. 1

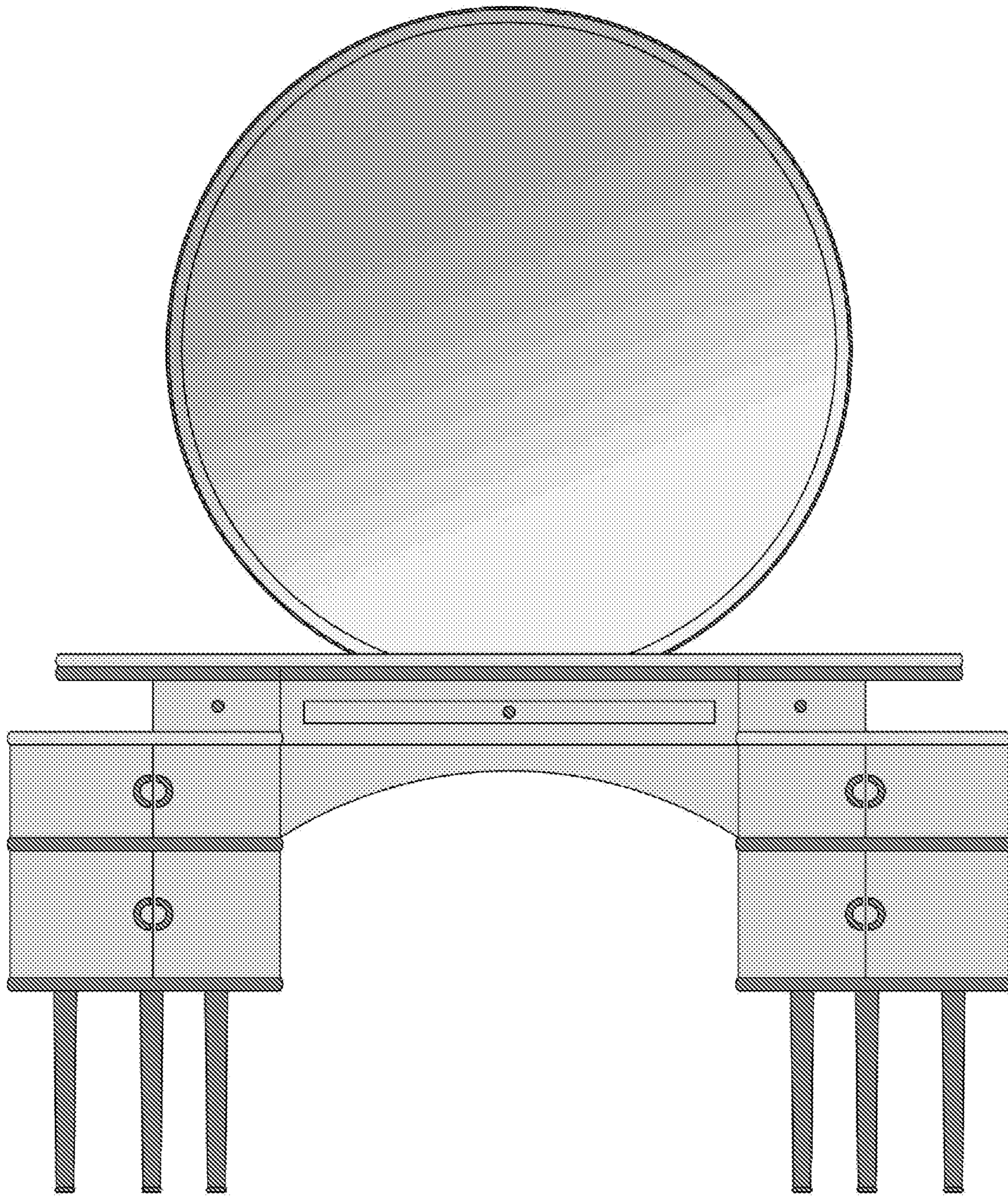


FIG. 2

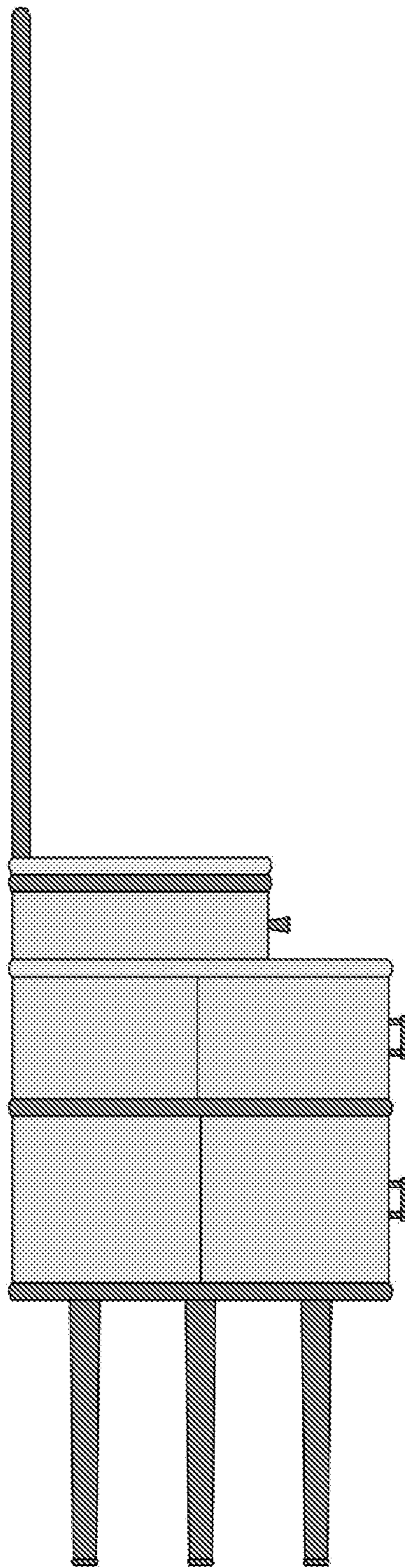


FIG. 3

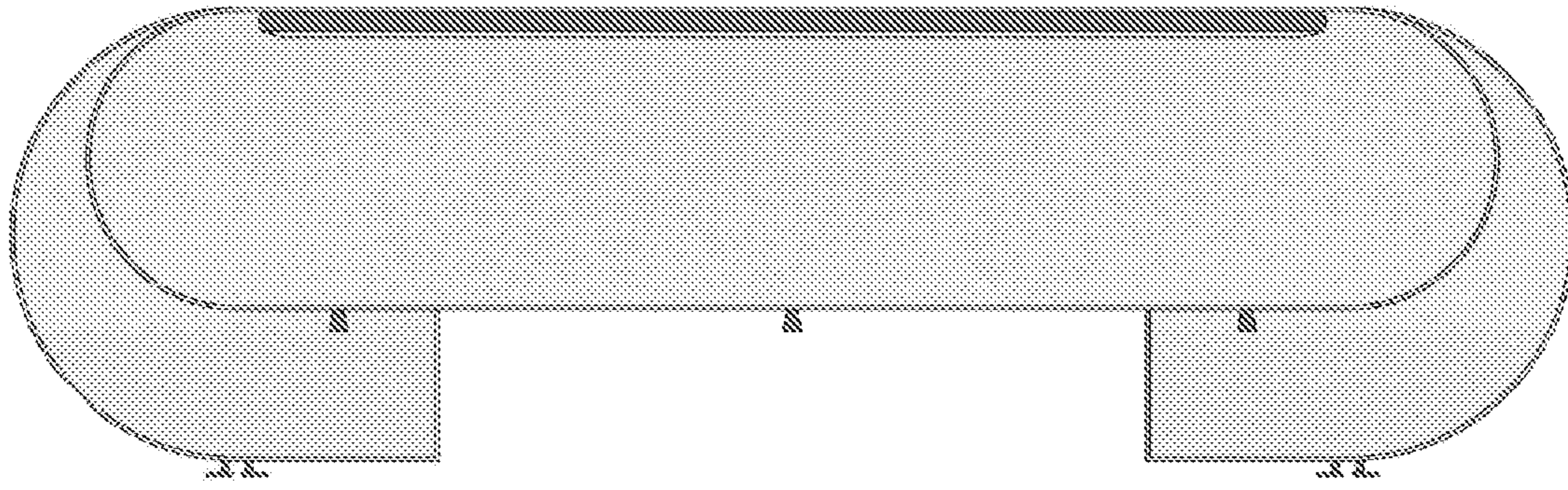


FIG. 4