



US00D937606S

(12) **United States Design Patent** (10) **Patent No.:** **US D937,606 S**
Chen (45) **Date of Patent:** **** Dec. 7, 2021**

- (54) **SOAP DISPENSER**
- (71) Applicant: **EKO DEVELOPMENT LTD.,**
Guangzhou (CN)
- (72) Inventor: **Yizhi Chen,** Guangzhou (CN)
- (73) Assignee: **EKO Development Ltd,** Guangzhou
(CN)
- (**) Term: **15 Years**
- (21) Appl. No.: **29/689,463**
- (22) Filed: **Apr. 30, 2019**
- (51) **LOC (13) Cl.** **23-02**
- (52) **U.S. Cl.**
USPC **D6/542**
- (58) **Field of Classification Search**
USPC D6/542, 545, 543, 544; 206/77.1;
222/92, 105, 173, 180, 181.1, 181.2,
222/181.3, 282, 283; 221/96, 132
CPC A47K 5/14; A47K 5/1211; A47K 5/12;
A47K 5/1202; B05B 7/005; B05B
11/3087; B05B 11/3047; B05B 11/3014;
B05B 9/0403; B05B 9/0426; A45D
19/02; B67D 7/0255; B01L 3/52; C11D
17/08; B01F 15/0243; B01F 15/0254;
B01F 5/12; B01F 5/20; B05D 5/00
See application file for complete search history.

- D699,047 S * 2/2014 Lissoni D6/542
- D727,653 S * 4/2015 Bjerre-Poulsen D6/542
- D770,798 S * 11/2016 Yang D6/542
- D818,741 S * 5/2018 Yang D6/542
- D866,219 S * 11/2019 Wegner D6/542
- D916,499 S * 4/2021 Chen D6/542
- D916,501 S * 4/2021 Merrill D6/542
- 2016/0256016 A1* 9/2016 Yang B05B 11/3047

* cited by examiner

Primary Examiner — Wan Laymon
Assistant Examiner — Mark Booker
(74) *Attorney, Agent, or Firm* — William H. Dippert;
Laurence A. Greenberg; Werner H. Stemer

(57) **CLAIM**

The ornamental design for a soap dispenser, as shown and described.

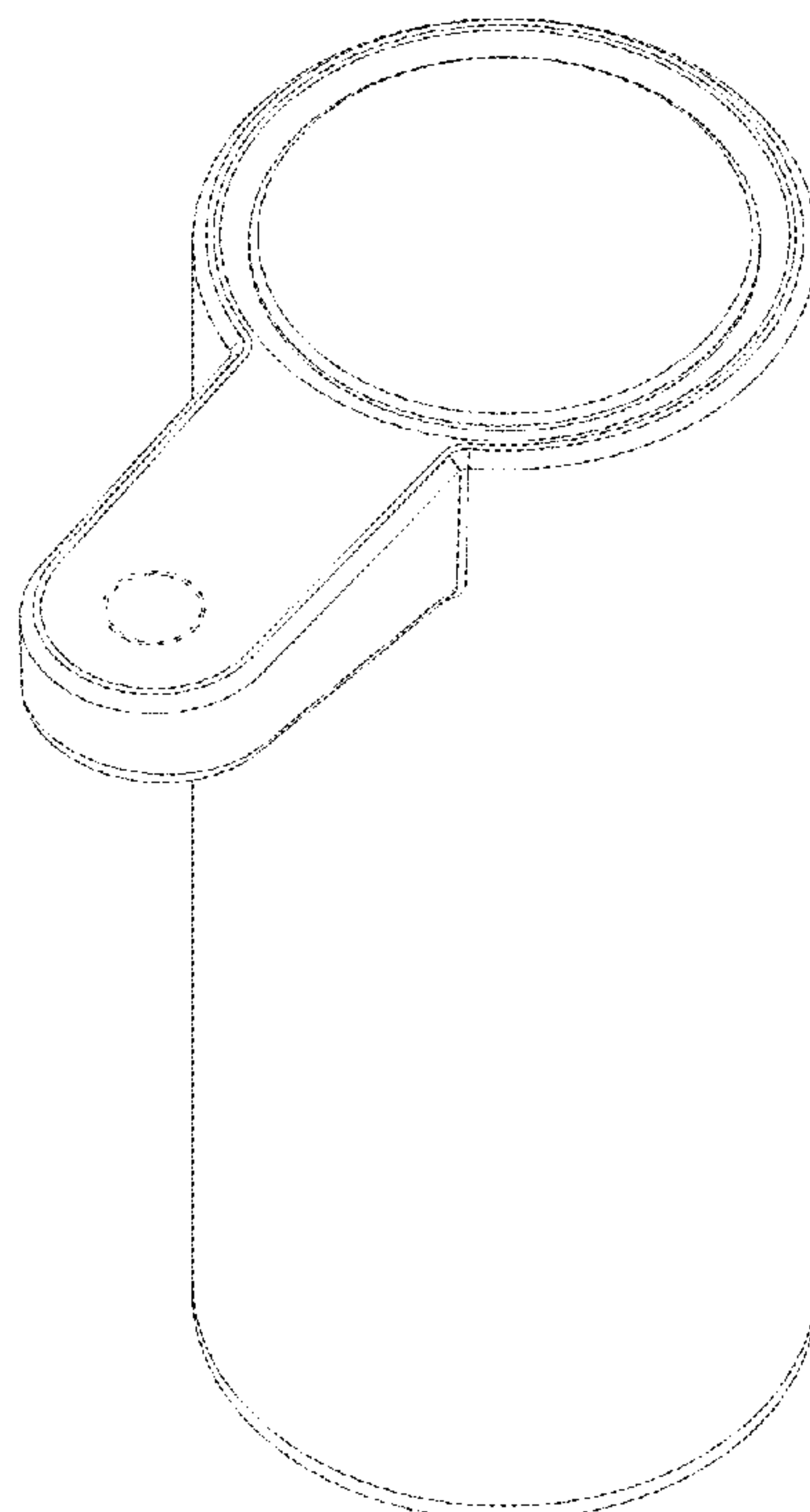
DESCRIPTION

FIG. 1 is a perspective view of a soap dispenser, showing my new design.
FIG. 2 is a top plan view thereof.
FIG. 3 is a rear elevation view thereof.
FIG. 4 is a right-side elevation view thereof.
FIG. 5 is a front elevation view thereof.
FIG. 6 is a bottom plan view thereof; and,
FIG. 7 is a left-side elevation view thereof.
The broken lines shown in the figures represent portions of the soap dispenser that form no part of the claimed design.

1 Claim, 4 Drawing Sheets

(56) **References Cited**
U.S. PATENT DOCUMENTS

- D593,784 S * 6/2009 Chan D6/542
- D674,636 S * 1/2013 Yang D6/542



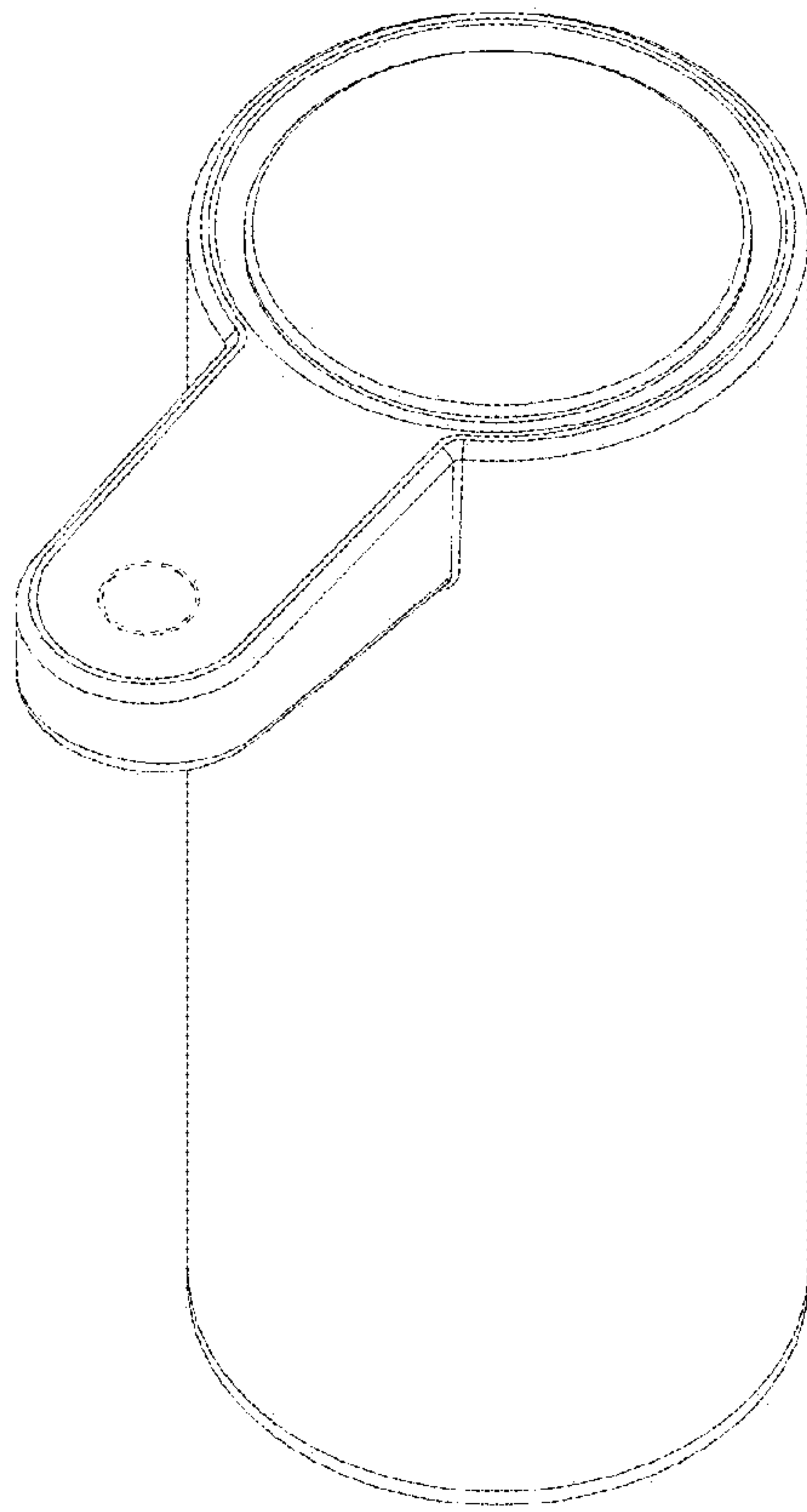


FIG. 1

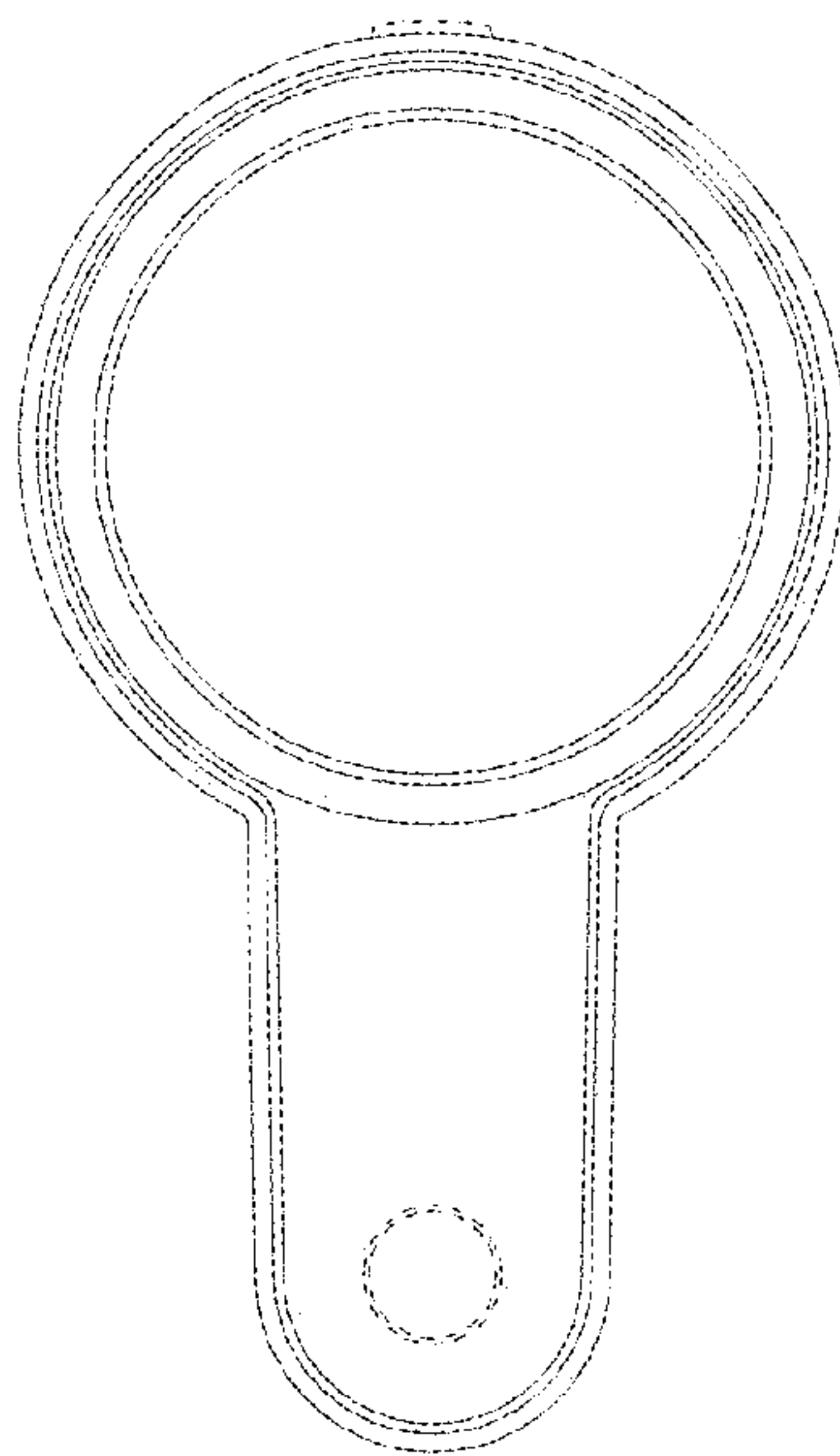


FIG. 2

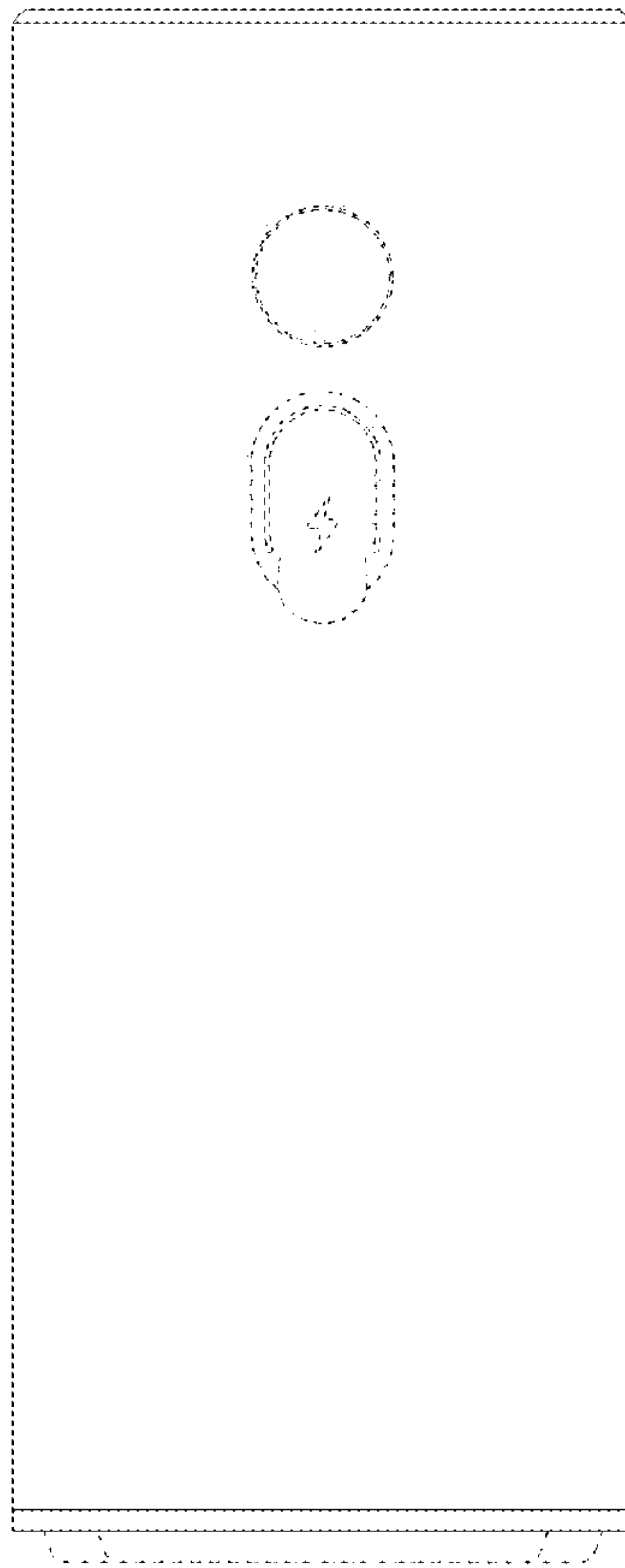


FIG.3

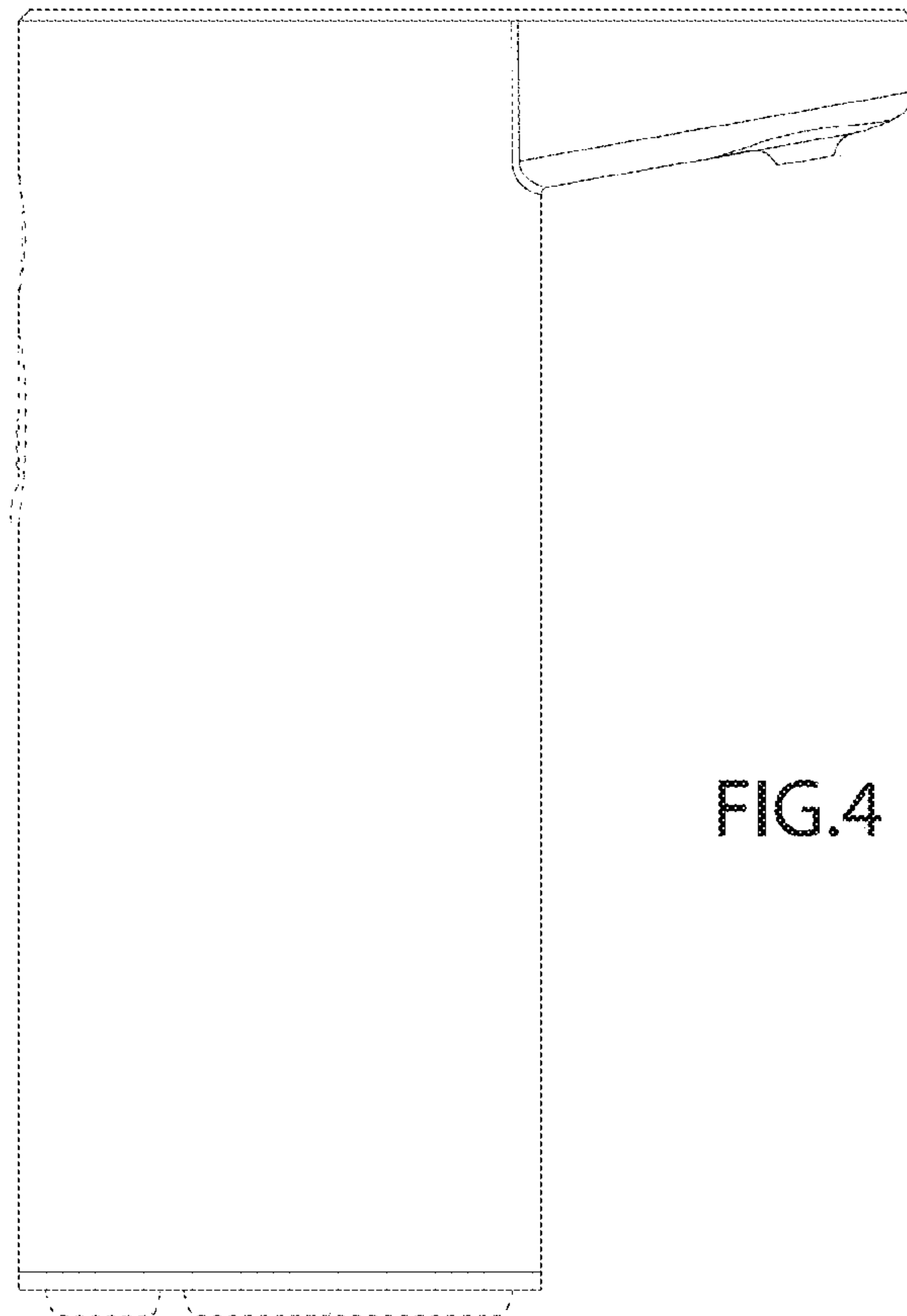


FIG.4

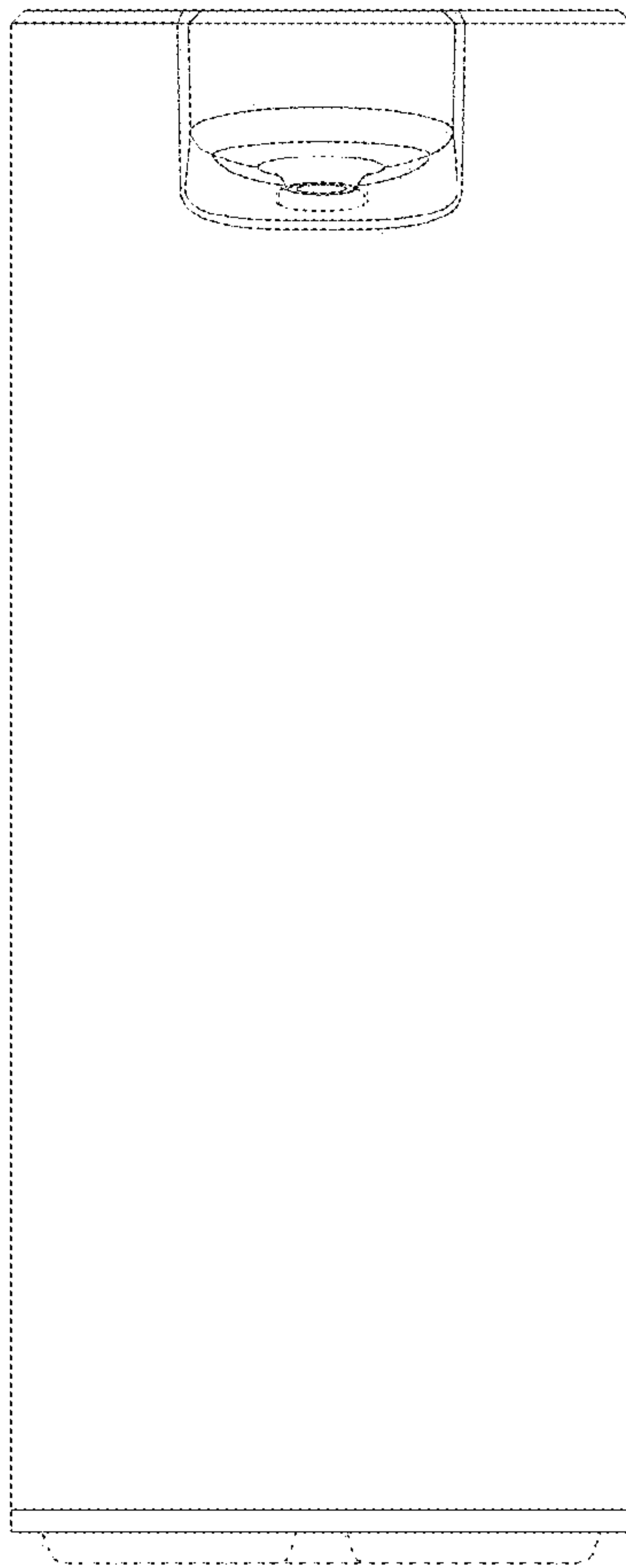


FIG. 5

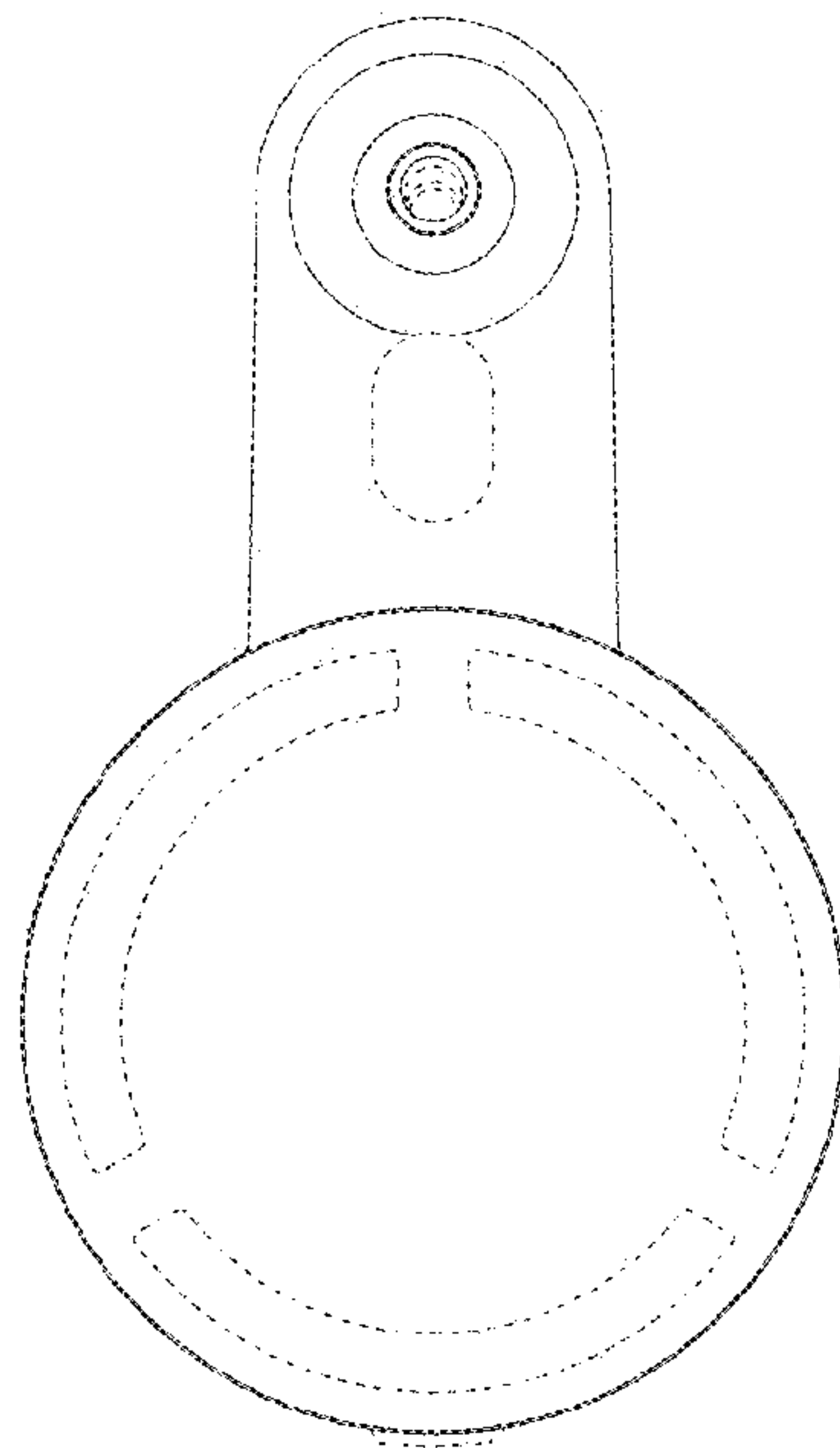


FIG. 6



FIG.7