



US00D937605S

(12) **United States Design Patent** (10) **Patent No.:** **US D937,605 S**  
**Su** (45) **Date of Patent:** **\*\* Dec. 7, 2021**

(54) **BATHTUB CADDY**  
(71) Applicant: **FUJIAN MAOYUAN HOUSEWARE CO., LTD**, Sanming (CN)  
(72) Inventor: **Sunju Su**, Sanming (CN)  
(73) Assignee: **FUJIAN MAOYUAN HOUSEWARE CO., LTD**, Sanming (CN)  
(\*\*) Term: **15 Years**  
(21) Appl. No.: **29/695,899**  
(22) Filed: **Jun. 24, 2019**  
(51) **LOC (13) Cl.** ..... **23-02**  
(52) **U.S. Cl.**  
USPC ..... **D6/525**  
(58) **Field of Classification Search**  
USPC ..... D6/525, 406.1-406.6, 421, 524;  
D7/552.1, 552.2, 554.1, 554.2, 554.3,  
D7/554.4, 550.1, 566; D12/133; D19/90,  
D19/91; D23/303, 304; 4/559, 565.1,  
4/570, 577.1, 579, 605, 611; 108/42, 43,  
108/49, 152, 115, 157.1, 157.13; 211/42,  
211/126.6, 149; 248/441 B, 441 D, 444,  
248/451, 452, 454, 455, 456; 434/432;  
D3/304, 309, 315  
CPC ..... A47K 3/004; A47K 3/001; A47K 3/122;  
A47B 23/00; A63H 33/3038  
See application file for complete search history.

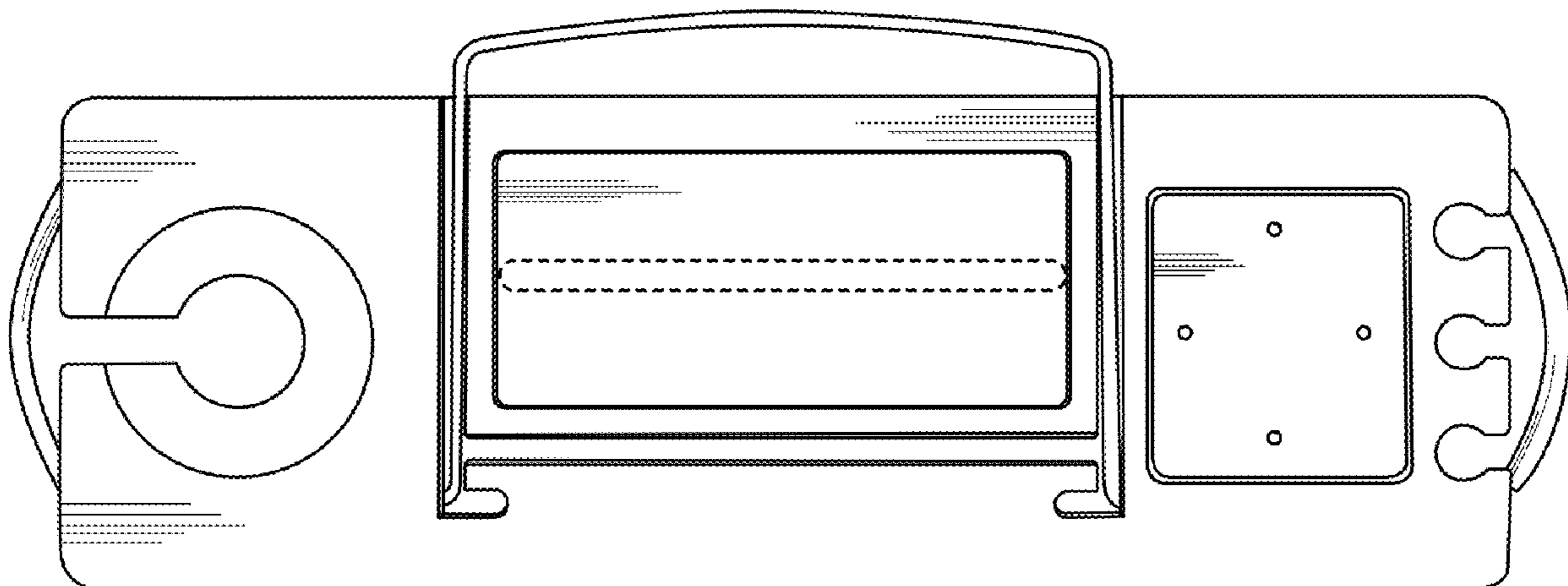
(56) **References Cited**  
U.S. PATENT DOCUMENTS  
D250,439 S \* 12/1978 Holstein ..... D6/525  
D351,461 S \* 10/1994 Wannamaker ..... D23/304  
D358,458 S \* 5/1995 Brightbill ..... D23/304  
D813,565 S \* 3/2018 Greenspon ..... D6/525

\* cited by examiner  
*Primary Examiner* — Wan Laymon  
*Assistant Examiner* — Mark Booker  
(74) *Attorney, Agent, or Firm* — Westbridge IP LLC

(57) **CLAIM**  
The ornamental design for a bathtub caddy, as shown and described.

**DESCRIPTION**  
FIG. 1 is a front elevational view of a bathtub caddy showing my new design;  
FIG. 2 is a rear elevational view thereof;  
FIG. 3 is a bottom plan view thereof;  
FIG. 4 is a top plan view thereof;  
FIG. 5 is a right side elevational view thereof;  
FIG. 6 is a left side elevational view thereof;  
FIG. 7 is a perspective view thereof; and,  
FIG. 8 is another perspective view thereof.  
The broken lines shown in the figures represent portions of the bathtub caddy that form no part of the claimed design.

**1 Claim, 8 Drawing Sheets**



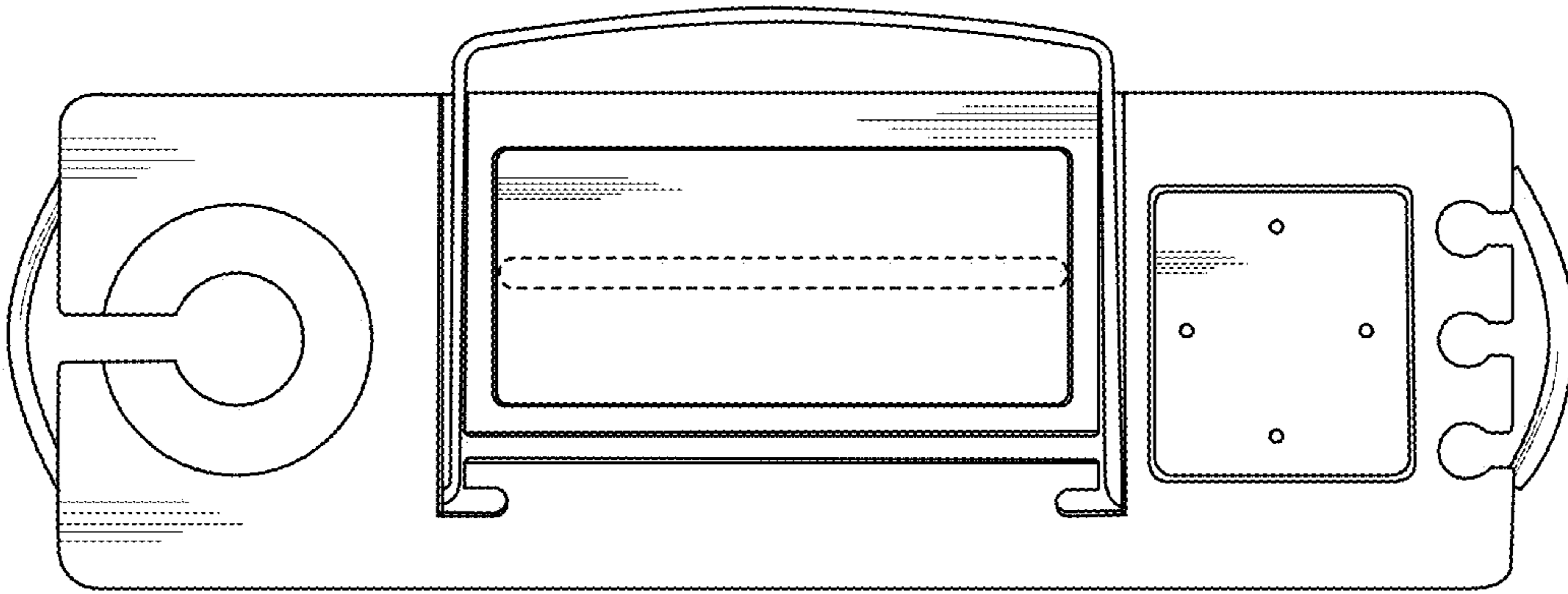


Fig. 1

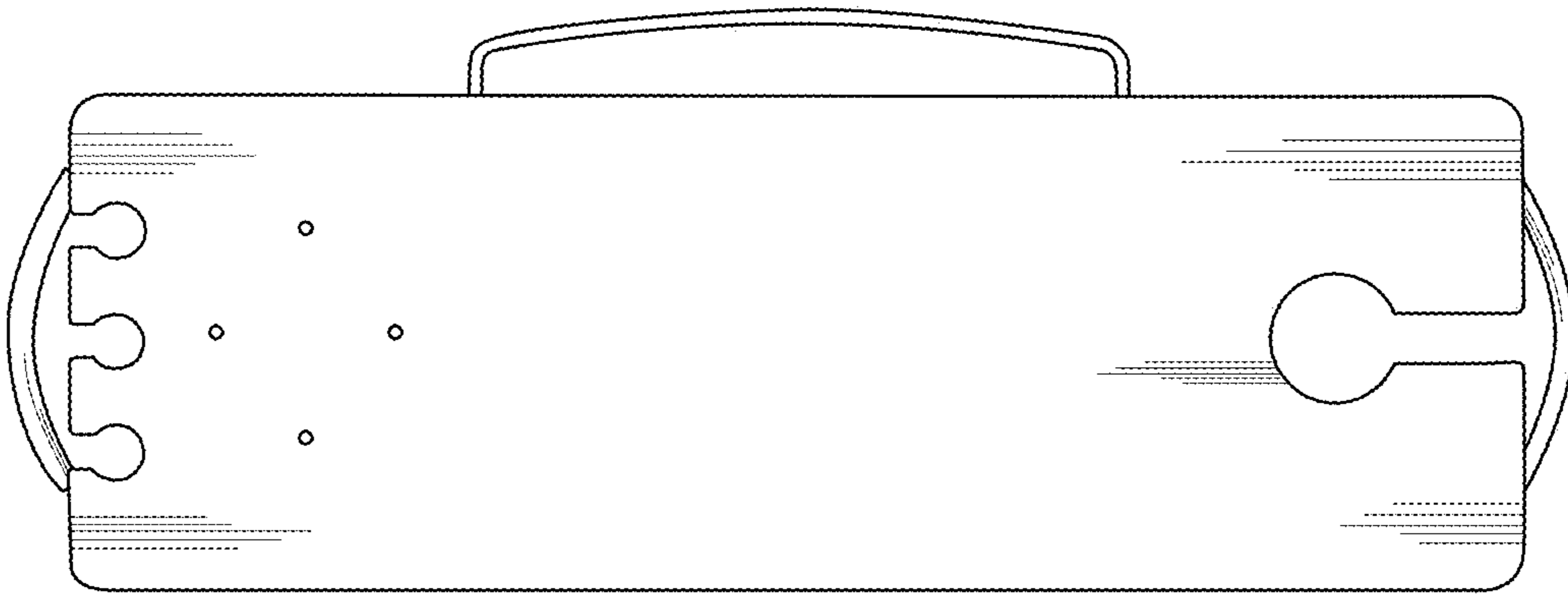


Fig.2

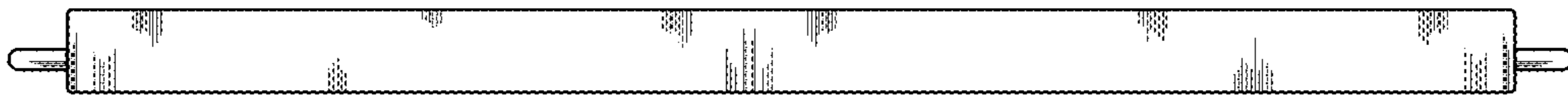


Fig.3

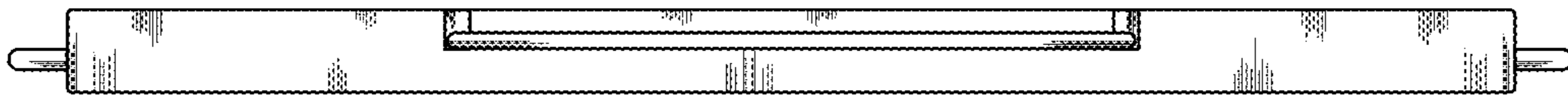


Fig.4



Fig.5



Fig.6

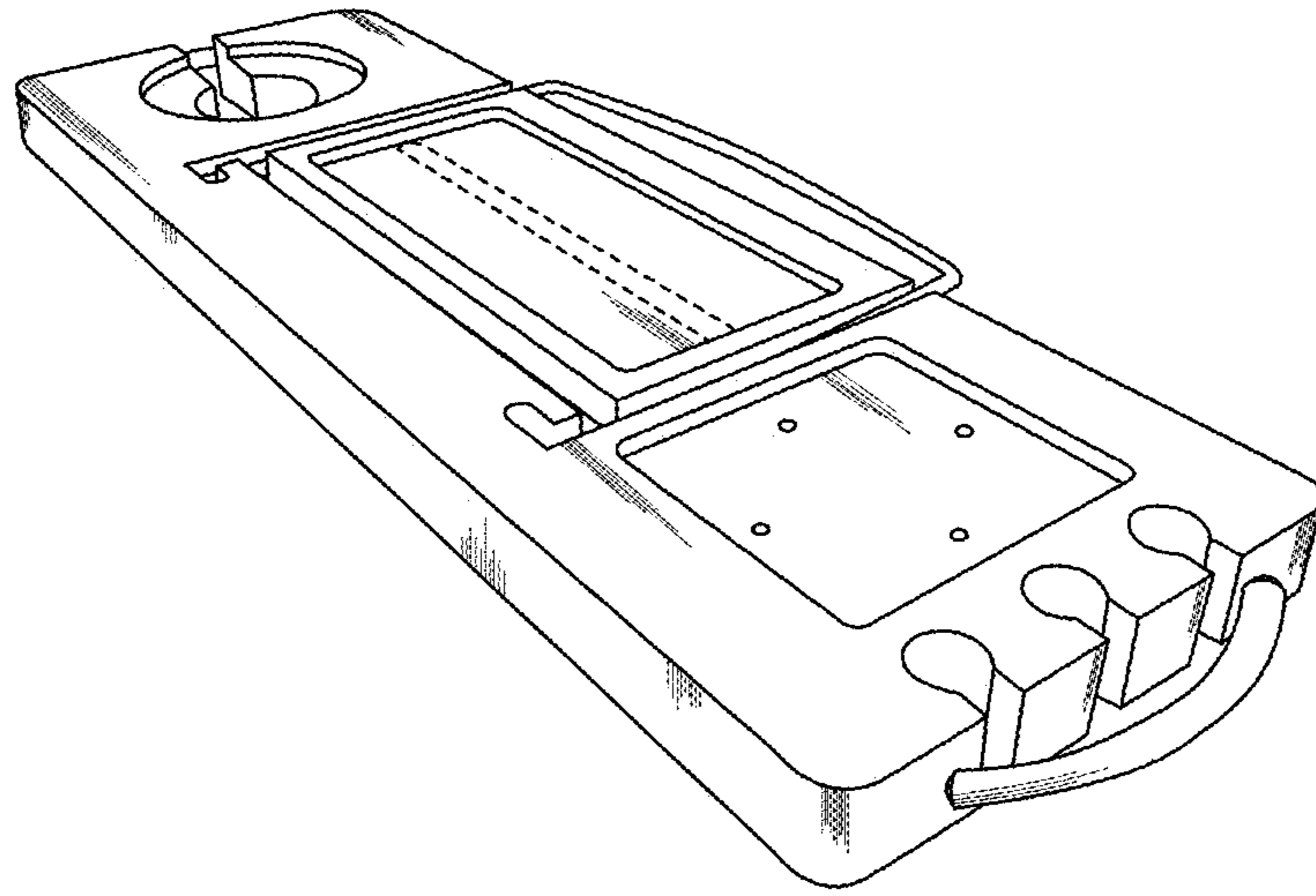


Fig.7



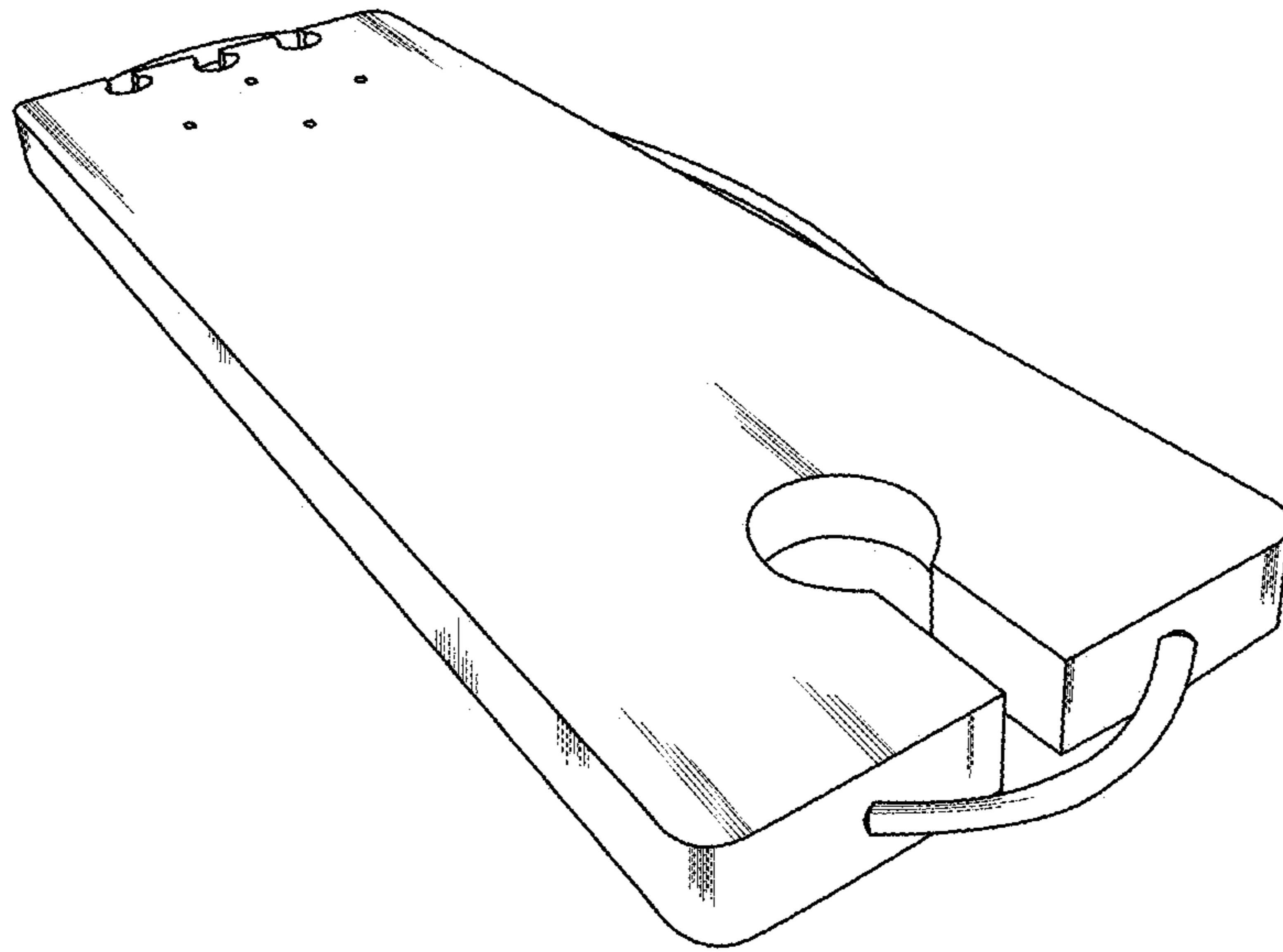


Fig.8