



US00D937602S

(12) **United States Design Patent** (10) **Patent No.:** **US D937,602 S**  
**Ferrell** (45) **Date of Patent:** **\*\* Dec. 7, 2021**

(54) **OBJECT HOLDER**  
(71) Applicant: **Lindsey Ferrell**, Lakeland, TN (US)  
(72) Inventor: **Lindsey Ferrell**, Lakeland, TN (US)  
(\*\*) Term: **15 Years**  
(21) Appl. No.: **29/720,728**  
(22) Filed: **Jan. 15, 2020**  
(51) **LOC (13) Cl.** ..... **06-06**  
(52) **U.S. Cl.**  
USPC ..... **D6/513; D6/553**  
(58) **Field of Classification Search**  
USPC ..... D6/512-514, 555, 567, 553, 540, 524;  
D3/303, 305, 308, 310, 313, 316, 317,  
D3/319, 902  
CPC ..... A47C 31/00; A47C 7/62; A47C 21/00;  
A45C 3/00; A47F 7/00; A47B 97/00  
See application file for complete search history.

D725,934 S 4/2015 Balogh  
D725,935 S 4/2015 Balogh  
D761,037 S \* 7/2016 Goodman ..... D6/513  
D765,398 S \* 9/2016 Vaccarella ..... A45C 3/04  
D3/304  
D804,845 S \* 12/2017 Cockburn ..... D6/513  
D804,846 S \* 12/2017 Cockburn ..... D6/513  
D808,188 S \* 1/2018 Cockburn ..... D6/513  
D902,592 S \* 11/2020 Kim ..... D3/304  
D905,069 S \* 12/2020 Wengreen ..... D14/447  
2016/0081209 A1\* 3/2016 Brewer ..... H04M 1/04  
340/539.32

\* cited by examiner

*Primary Examiner* — Nathan M Johnston  
(74) *Attorney, Agent, or Firm* — Baker Donelson

(57) **CLAIM**

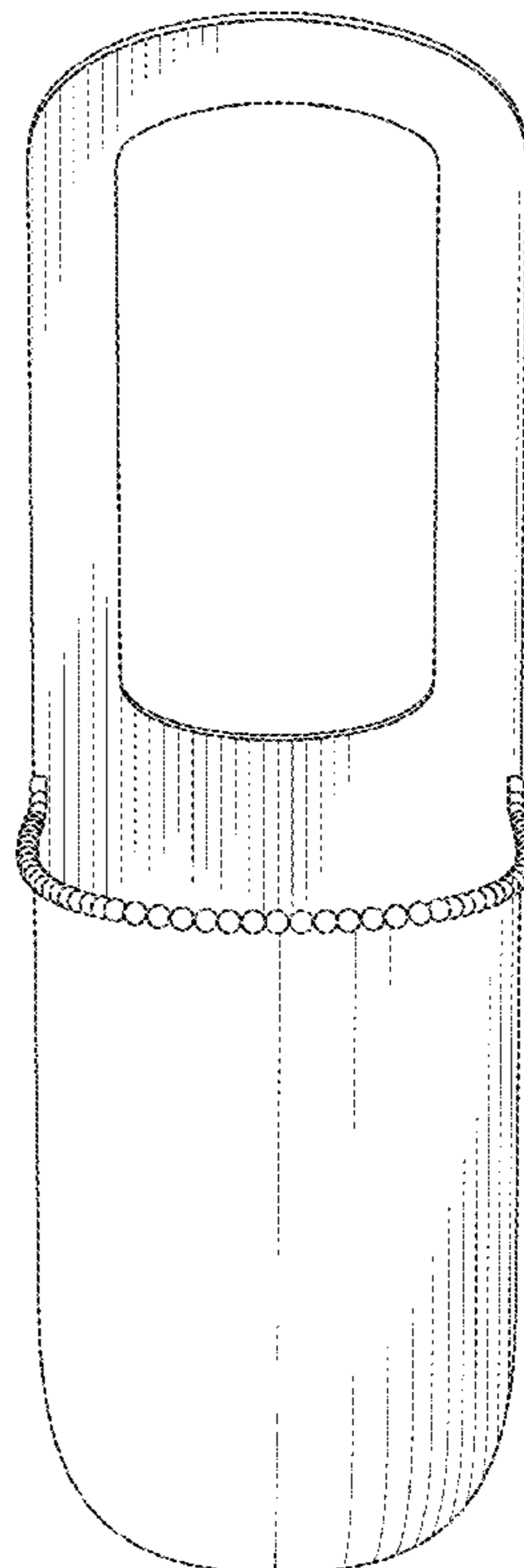
The ornamental design for an object holder, as shown and described.

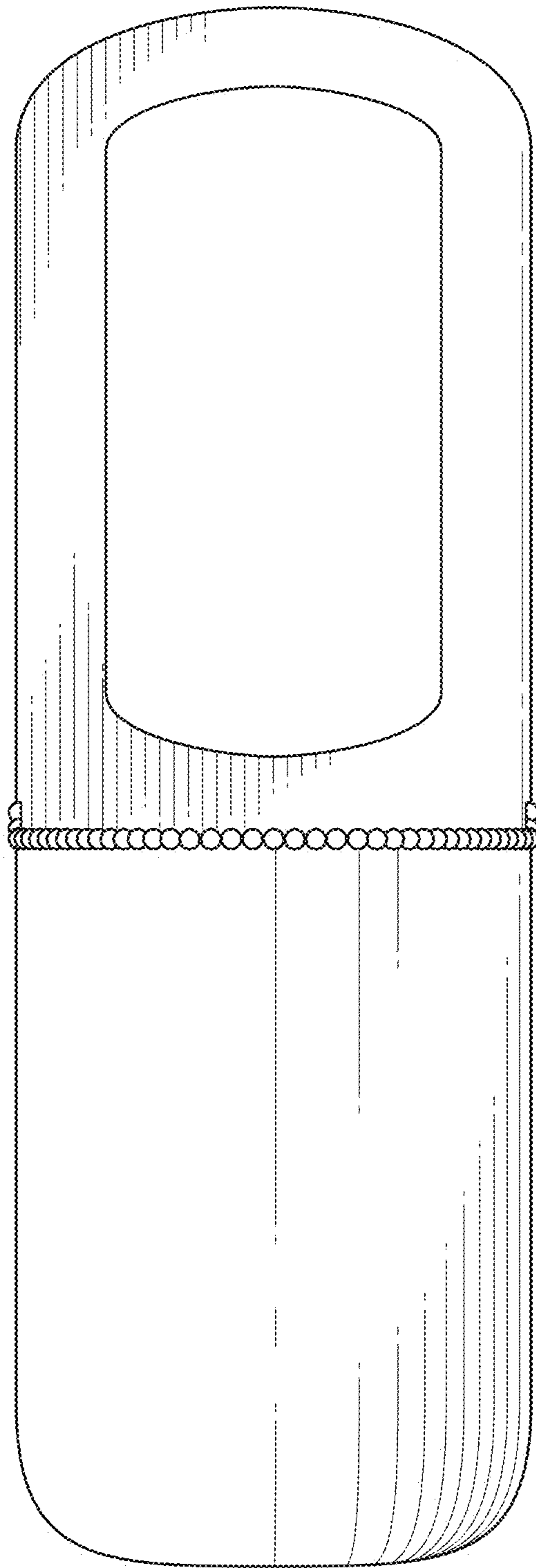
**DESCRIPTION**

FIG. 1 is a front view of an object holder showing my new design.  
FIG. 2 is a front, top perspective view thereof.  
FIG. 3 is a rear view thereof.  
FIG. 4 is a left side view thereof, the right side being a mirror image thereof.  
FIG. 5 is a right side top perspective view thereof.  
FIG. 6 is a top view thereof.  
FIG. 7 is a top front perspective view thereof; and,  
FIG. 8 is a bottom view thereof.

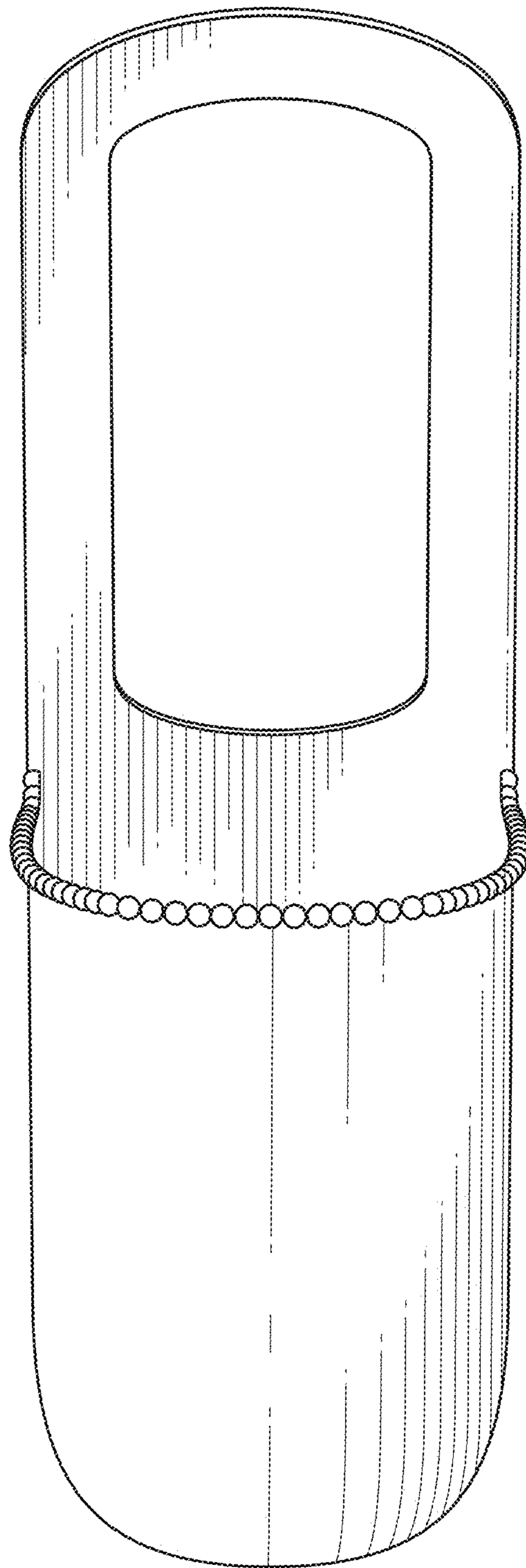
(56) **References Cited**  
U.S. PATENT DOCUMENTS  
D141,423 S \* 5/1945 Lewis ..... D6/573  
D365,714 S \* 1/1996 Masello ..... D6/526  
D614,427 S \* 4/2010 Nejad ..... D6/553  
D636,201 S \* 4/2011 Kolano ..... D6/553  
8,430,241 B1 4/2013 Balogh  
D682,469 S 5/2013 Balogh  
8,434,615 B2 5/2013 Balogh  
D704,949 S \* 5/2014 Rodriguez ..... D6/513  
D725,932 S 4/2015 Balogh  
D725,933 S 4/2015 Balogh

**1 Claim, 7 Drawing Sheets**

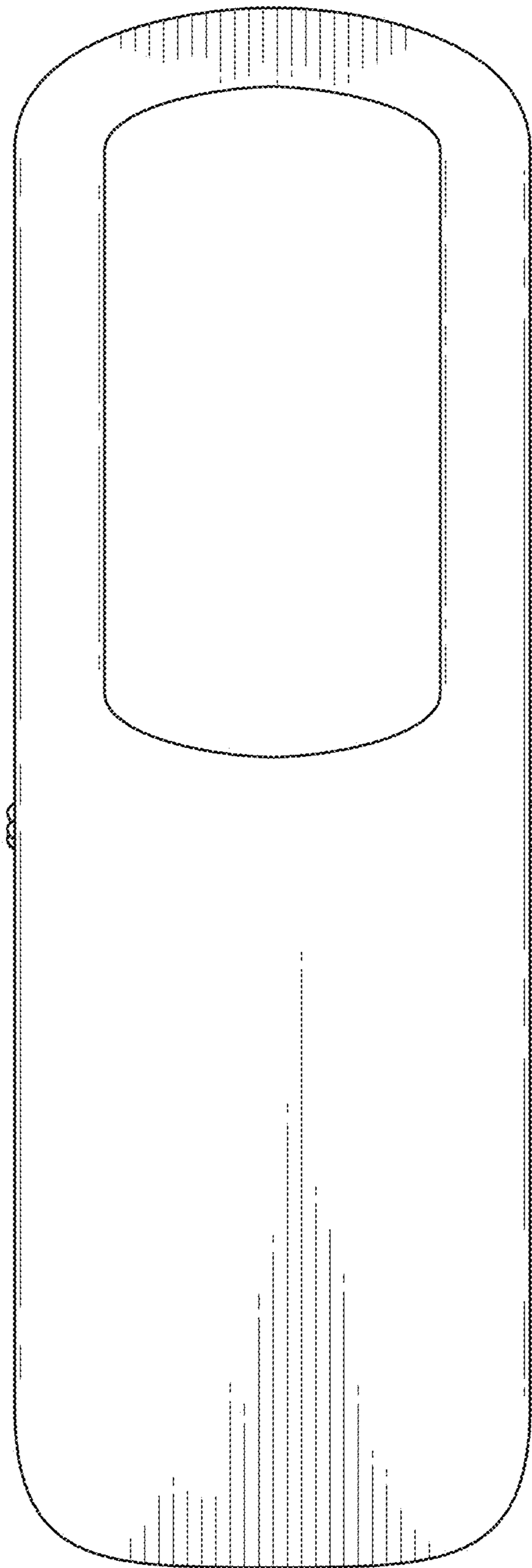




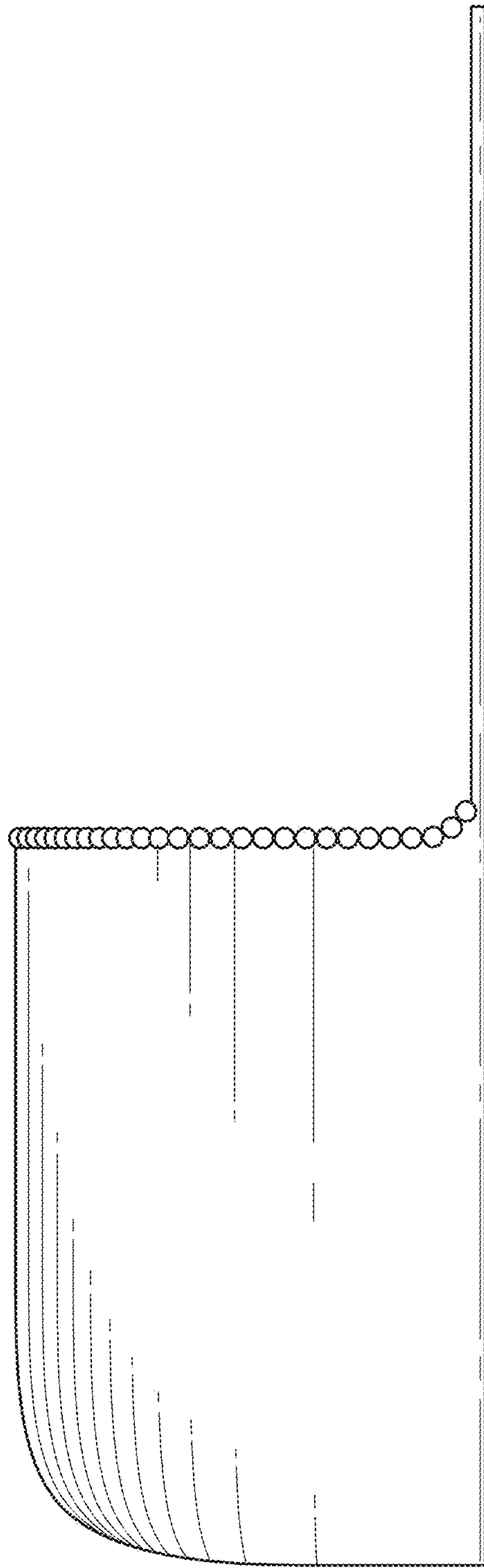
**FIG. 1**



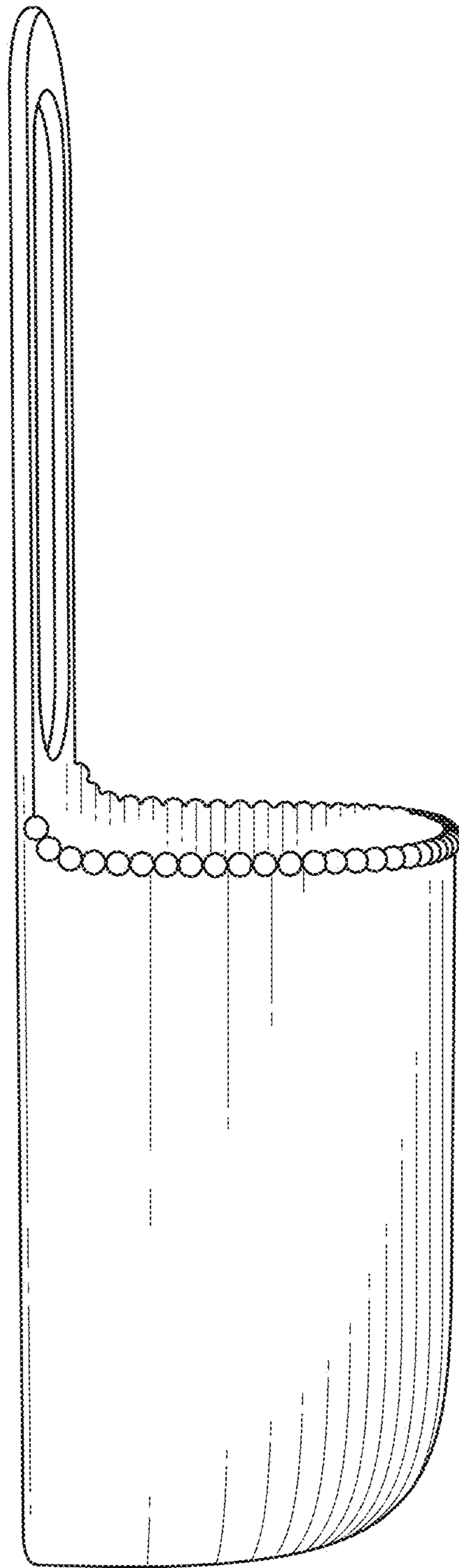
**FIG. 2**



**FIG. 3**

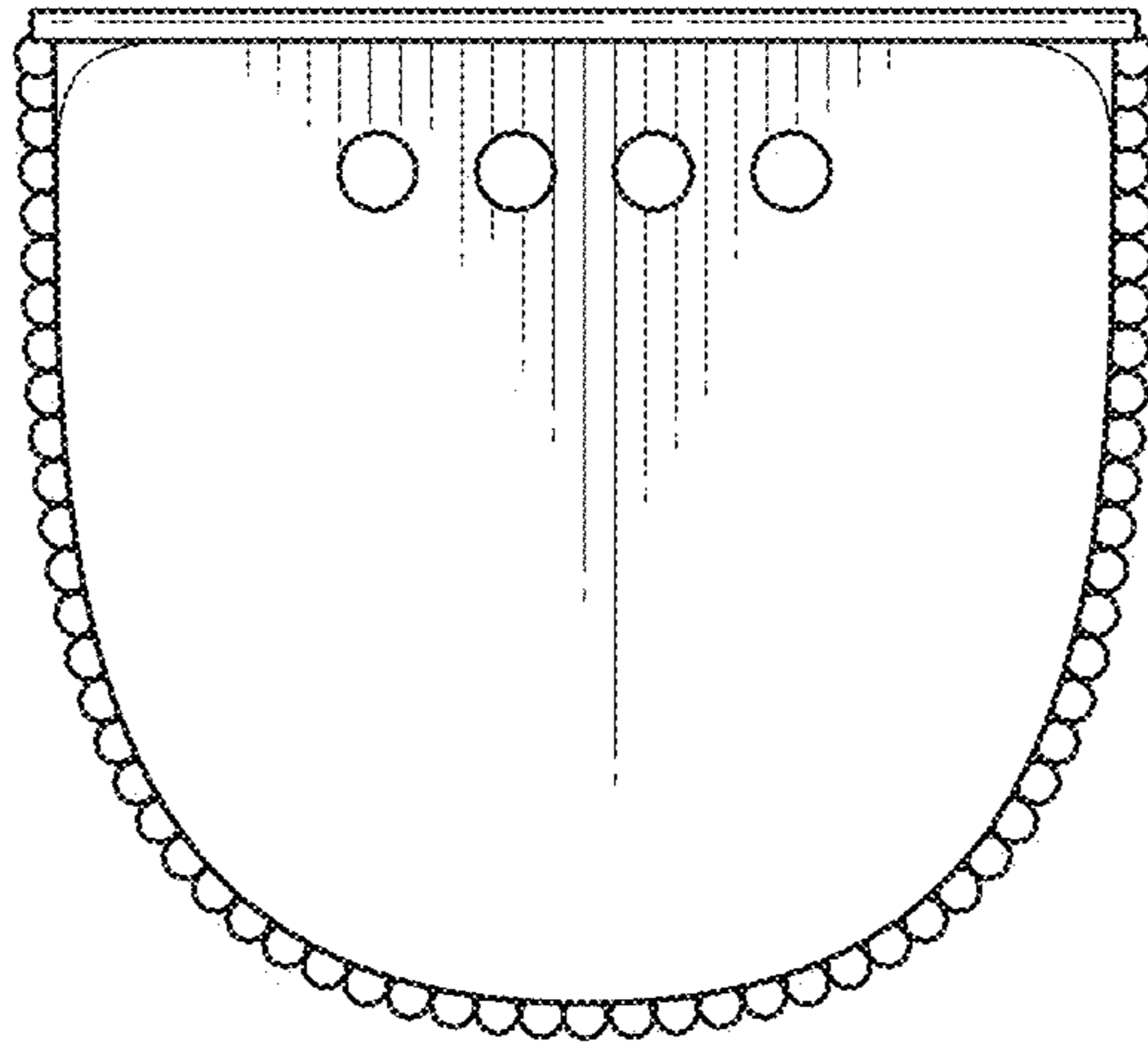


**FIG. 4**

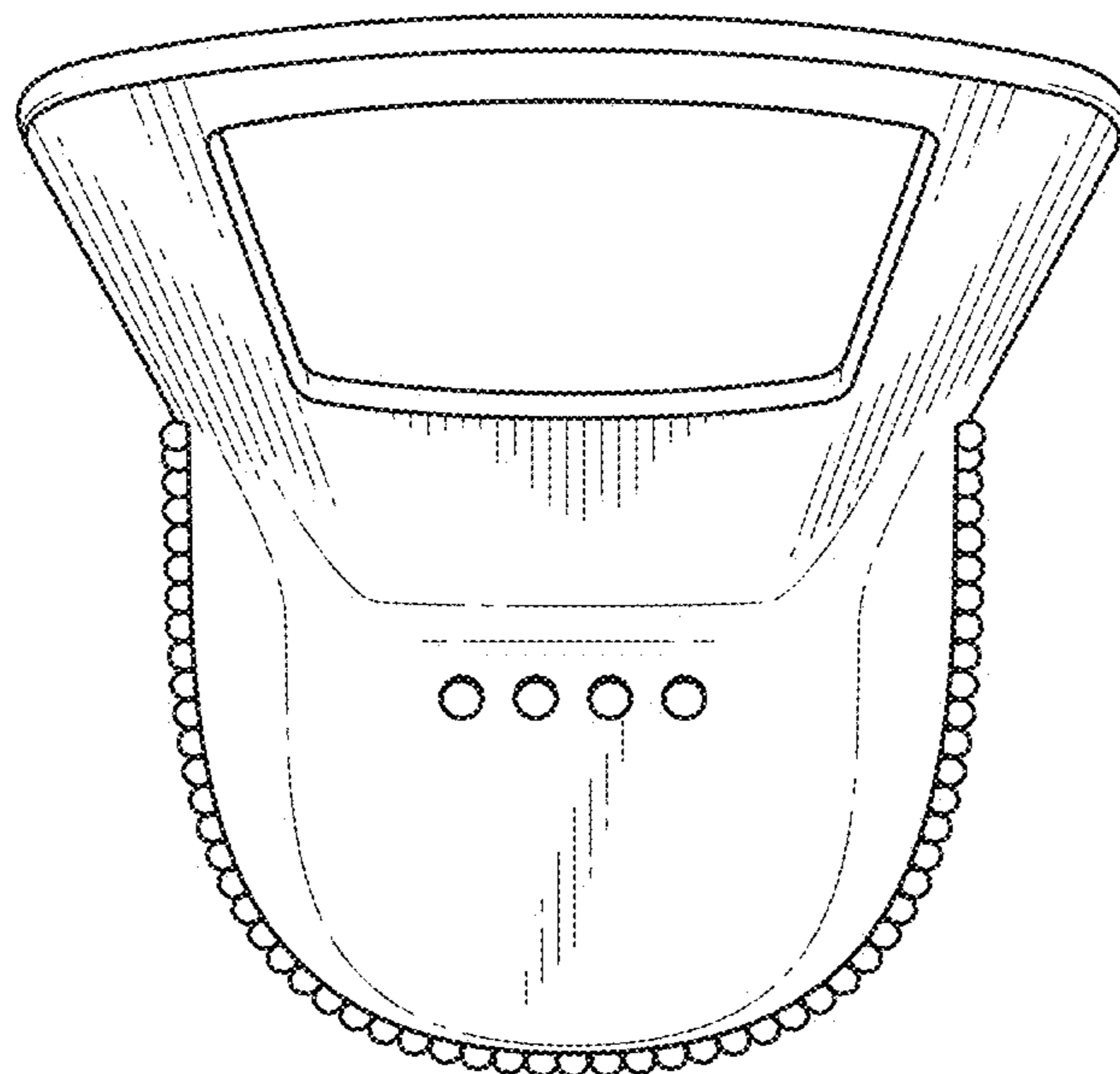


**FIG. 5**

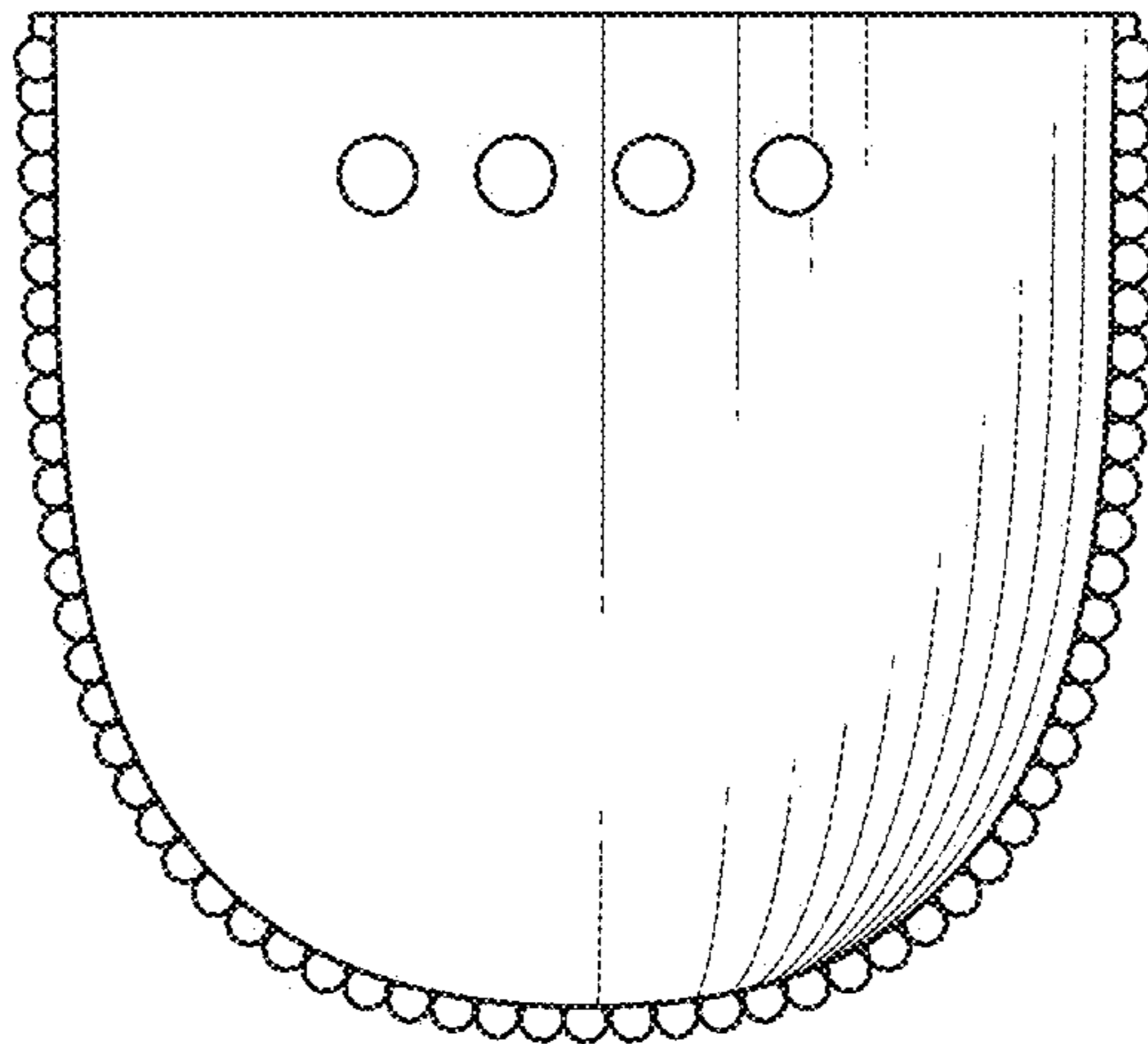




**FIG. 6**



**FIG. 7**



**FIG. 8**